



SMC6



6GF



TR8

### TECHNICAL DATA

**Operating range:** up to 84 m<sup>3</sup>/h with head up to 452 m.

**Pumped liquid:** clean, free of solids and abrasives, chemically neutral, with properties similar to water.

**Starts/hour:** see the coupled motor

**Cooling flow:** see the coupled motor

**Maximum permitted amount of sand:** 40 g/m<sup>3</sup>

**Ambient temperature:** 30 °C

**Minimum recommended level on suction line:** 1 m

**Installation:** horizontal or vertical

**Electric pumps complying with the 2009/125/EC Directive (EcoDesign - ErP)**  
**M.E.I. ≥ 0,40**

### APPLICATIONS

Multistage semiaxial submersible electric pumps for wells measuring 6" or above, able to generate a broad range of flow rates and heads.

They are used extensively for the lifting, distribution and pressurisation of industrial water systems, the supply of pressure vessels and tanks, firefighting systems and irrigation systems.

Application with clean, non-aggressive water free from solids or abrasive substances.

### CONSTRUCTION FEATURES OF THE PUMP

Cast iron pump body treated with cathaphoresis paint coating and dynamically balanced impellers in microcast AISI 304 stainless steel coupled on the shaft with pull tab. Shaft guided with coaxial bush bearings and fully protected with bushes.

Pump with check valve of low pressure loss.

Threaded delivery port.

Coupling with motors of 4", 6" or 8" depending on the required hydraulic power:

4GG: encapsulated 4" submersible motor

4OL: 4" submersible motor in oil bath

6GF: encapsulated 6" submersible motor

TR6: rewindable 6" submersible motor

TR8: rewindable 8" submersible motor

Refer to the technical data sheets of the specific model for the electrical characteristics of the coupled motors and the specifications for operation with inverter.

### ON REQUEST

Motor in AISI 316 stainless steel for use in aggressive water.

Non-standard pump/motor couplings.

Star/Delta starting version.

Motor version for high temperature of water.

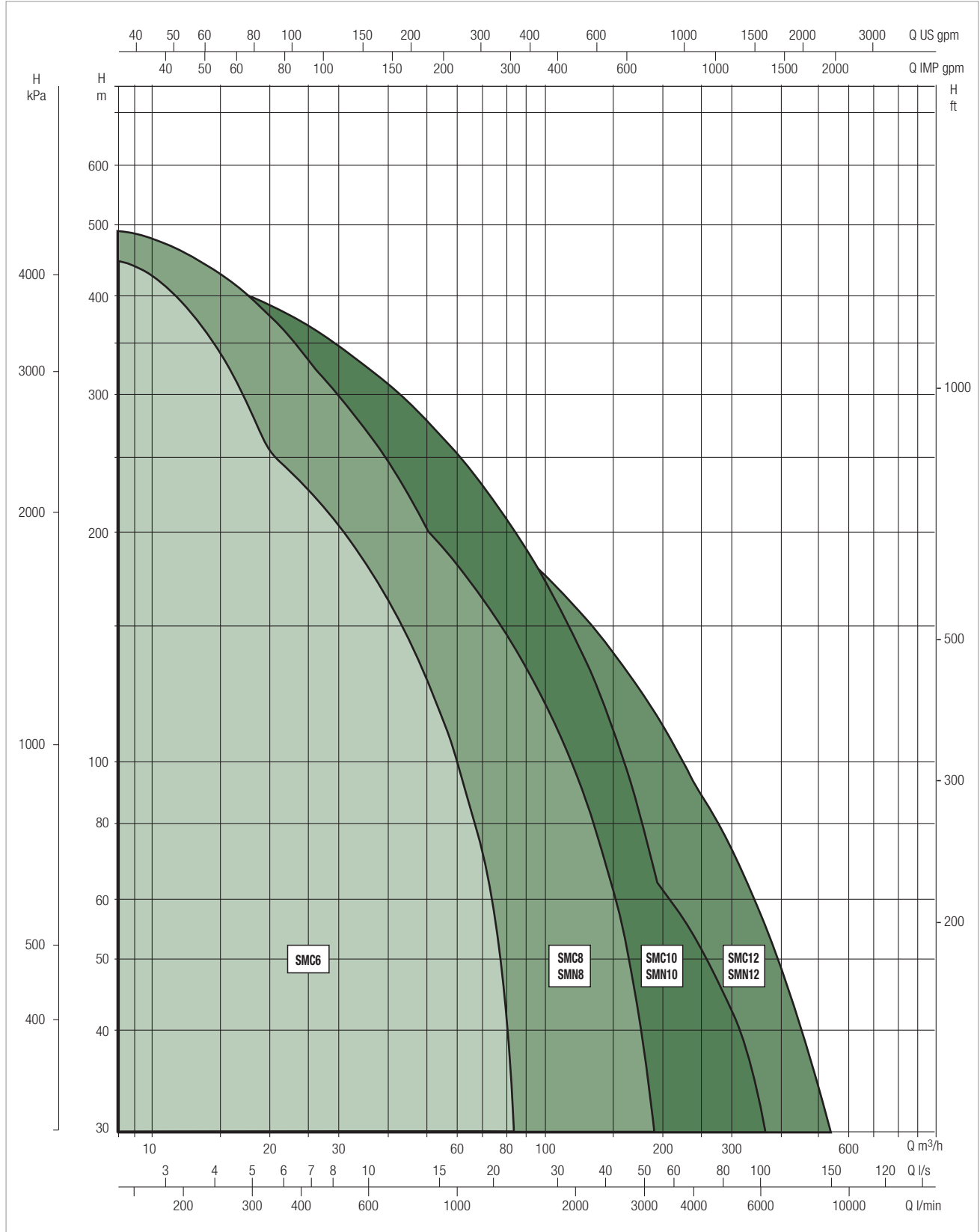
# SMC - SMN

## SUBMERSIBLE ELECTRIC PUMPS

### PERFORMANCE RANGE

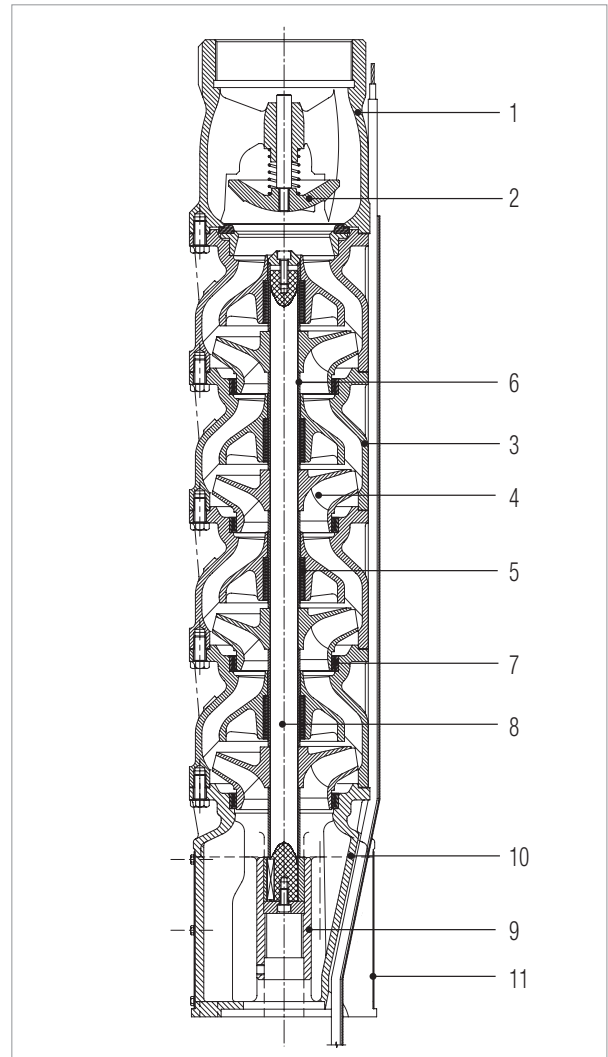
The performance curves are based on kinematic viscosity values = 1 mm<sup>2</sup>/s and density equal to 1000 kg/m<sup>3</sup>. Curve tolerance according to ISO 9906.

### GRAPHIC SELECTION TABLE

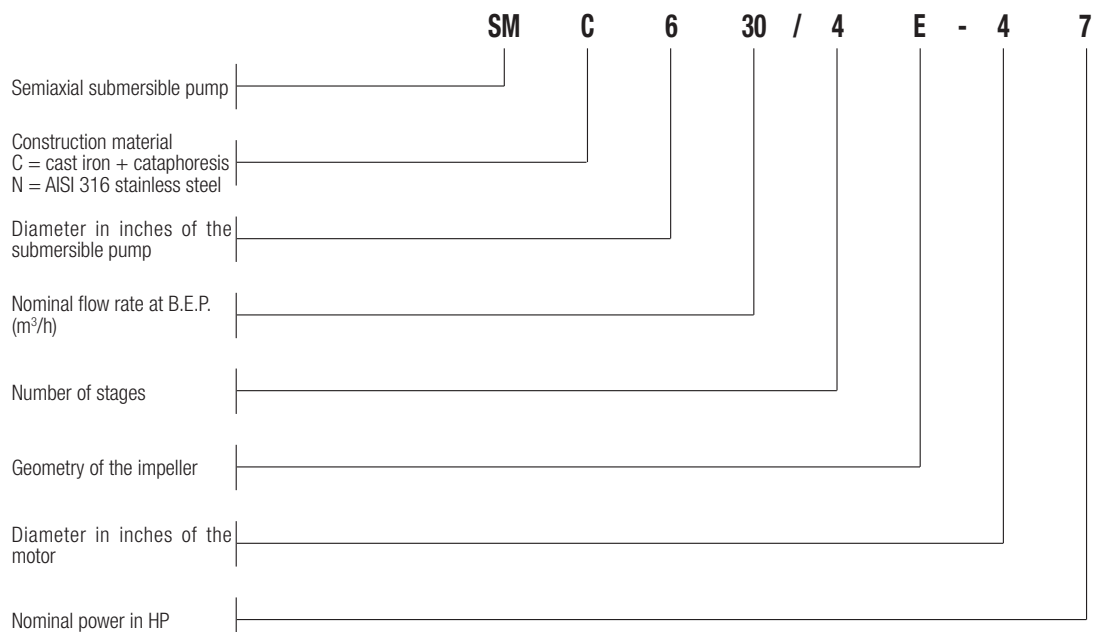


### MATERIALS

N.	PARTS	MATERIALS
1	DELIVERY BODY	CAST IRON + CATAPHORESIS
2	NON-RETURN VALVE	STAINLESS STEEL
3	DIFFUSER	CAST IRON + CATAPHORESIS
4	IMPELLER	AISI 304 STAINLESS STEEL
5	GUIDE BEARING	RUBBER
6	BUSH	CHROME-PLATED BRASS
7	WEAR RING	RUBBER FOR SMC6 30
	WEAR RING	STEEL FOR SMC6 45 AND SMC6 60
8	PUMP SHAFT	STAINLESS STEEL
9	PIPE	STAINLESS STEEL
10	SUCTION BODY	CAST IRON + CATAPHORESIS
11	FILTER GRID	STAINLESS STEEL



**- Legend:**  
(example)



# SMC6 30

## 6" SUBMERSIBLE ELECTRIC PUMPS

### PERFORMANCE AT 50 Hz - 2 POLES

MODEL	ELECTRICAL DATA		Q=m <sup>3</sup> h Q=l/min	HYDRAULIC DATA												COUPLING STANDARD MOTOR
	P2 NOMINAL			0	9	12	15	18	21	24	27	30	33	36	42	
	kW	HP		0	150	200	250	300	350	400	450	500	550	600	700	
30/4E-47	5,5	7,5	H (m)	66,5	63	62	60,5	59	57	54,5	51,5	47,5	42,5	36,5	23	4"
30/5E-610	7,5	10		83	79	77	75,5	73,5	71	68	64	59	53	45	28,5	6"
30/7G-612	9,2	12,5		113	107,5	105,5	102,5	99	95,5	90	84	76,5	67,5	56,5	32,5	6"
30/8E-615	11	15		133	126	123,5	120,5	117,5	113,5	108,5	102	94	84	71,5	45	6"
30/10F-617	13	17,5		161,5	150,5	148	144,5	140,5	136	129	120	109	96	79,5	49	6"
30/11E-620	15	20		182,5	171	167,5	164	159,5	154,5	147	137,5	125,5	111	93	58	6"
30/12E-625	18,5	25		199,5	186,5	183	178,5	174	168,5	160	149,5	136,5	121	101,5	63,5	6"
30/14E-625	18,5	25		232,5	217,5	213,5	208,5	203	196,5	187	174,5	159,5	141	118	73,5	6"
30/15E-630	22	30		249	233	228,5	223,5	217,5	210,5	200	187	170,5	151	126,5	79	6"
30/17F-630	22	30		274,5	256	251,5	245,5	239	230,5	219	204	185	162,5	135	82	6"
30/20F-635	26	35		322,5	304	297,5	290	282	272,5	259	240,5	217,5	189	155	92,5	6"
30/22E-640	30	40		361	339	332	325	318	306	291	271,5	246	215	177	106,5	6"
30/25F-650	37	50		403	380	372	362,5	352,5	340,5	323,5	301	271,5	236	193,5	115,5	6"
30/28F-650	37	50		451,5	425,5	416,5	405,5	394,5	381,5	362	337	304	264,5	216,5	129	6"

### ELECTRICAL DATA AND DIMENSIONS

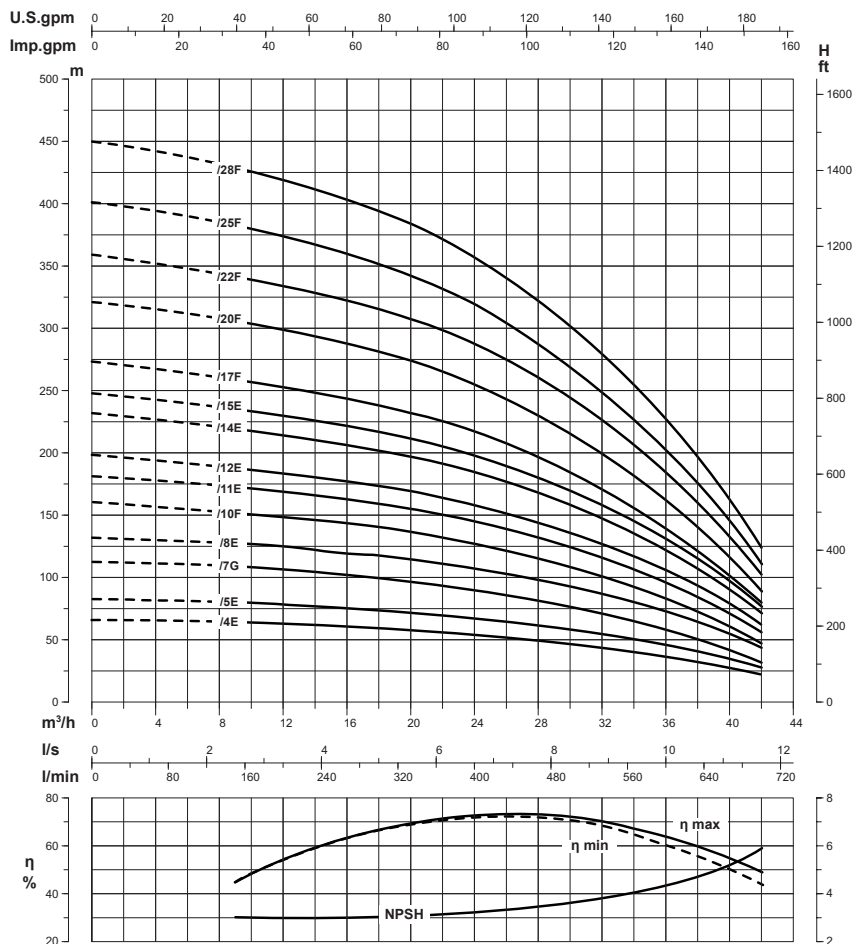
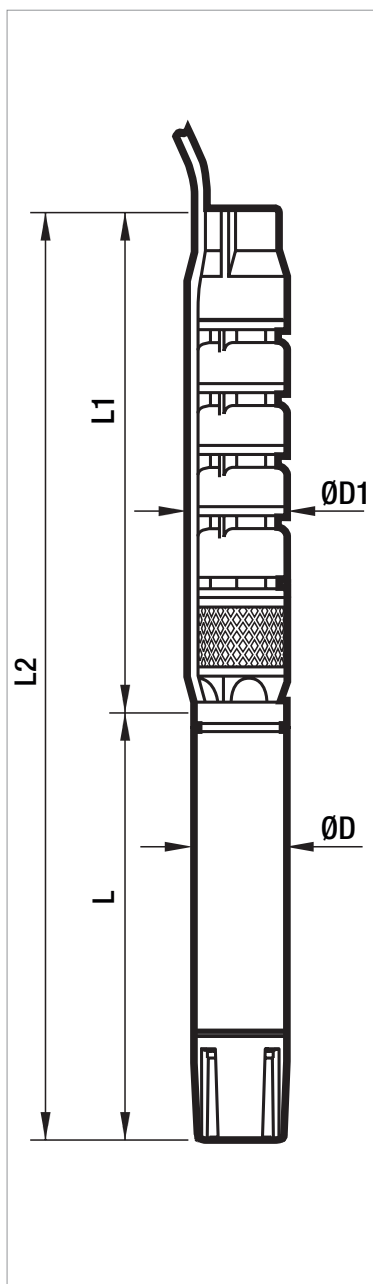
MODEL	MOTOR *	ELECTRICAL DATA			OPERATION WITH INVERTER	HORIZONTAL INSTALLATION	L2 mm	L mm	L1 mm	D mm	D1 mm	DN GAS	HYDRAULIC WEIGHT kg	MOTOR WEIGHT kg
		P2 NOMINAL		In A										
		kW	HP											
30/4E-47	4GG	5,5	7,5	14	●	●	1318	684	634	94	150	2½"	28	27
	4OL	5,5	7,5	13	●	●	1292	658		94			28	24
30/5E-610	6GF	7,5	10	18	●	●	1370	660	710	141	150	2½"	33	47
	TR6	7,5	10	18	○	●	1547	837		144			33	53
30/7G-612	6GF	9,2	12,5	22	●	●	1560	685	875	141	150	2½"	42	50
	TR6	9,2	12,5	21	○	●	1742	867		144			42	55
30/8E-615	6GF	11	15	25,5	●	●	1688	730	958	141	150	2½"	46	55
	TR6	11	15	25	○	●	1855	897		144			46	60
30/10F-617	6GF	15	20	33,4	●	●	1908	785	1123	141	150	2½"	55	60
	TR6	13	17,5	29	○	●	2050	927		144			55	65
30/11E-620	6GF	15	20	33,4	●	●	1990	785	1205	141	150	2½"	60	60
	TR6	15	20	32	○	●	2202	997		144			60	77
30/12E-625	6GF	18,5	25	41	●	●	2148	860	1288	141	150	2½"	65	68
	TR6	18,5	25	39	○	●	2345	1057		144			65	83
30/14E-625	6GF	18,5	25	41	●	●	2313	860	1453	141	150	2½"	74	68
	TR6	18,5	25	39	○	●	2510	1057		144			74	83
30/15E-630	6GF	22	30	47	●	●	2455	920	1535	141	150	2½"	78	74
	TR6	22	30	49	○	●	2622	1087		144			78	95
30/17F-630	6GF	22	30	47	●	●	2620	920	1700	141	150	2½"	88	74
	TR6	22	30	49	○	●	2787	1087		144			88	95
30/20F-635	6GF	30	40	61,5	●	●	2998	1050	1948	141	153	2½"	101	89
	TR6	26	35	58	○	●	3105	1157		144			101	105
30/22E-640	6GF	30	40	61,5	●	●	3163	1050	2113	141	153	2½"	110	89
	TR6	30	40	65	○	●	3325	1212		144			110	110
30/25F-650	6GF	37	50	79,3	●	●	3540	1180	2360	141	153	2½"	124	100
	TR6	37	50	80	○	●	3672	1312		144			124	120
30/28F-650	6GF	37	50	79,3	●	●	3788	1180	2608	141	153	2½"	138	100
	TR6	37	50	80	○	●	3920	1312		144			138	120

\* 4GG MOTOR: 4" encapsulated in water bath  
 4OL MOTOR: 4" in oil bath  
 6GF MOTOR: 6" encapsulated in water bath.  
 TR MOTOR: 6" - 12" rewindable in water bath.

●	Permitted
○	Only version PE2 + PA
▲	Contact our sales network

# SMC6 30

## 6" SUBMERSIBLE ELECTRIC PUMPS



Performance at 50 Hz 2 poles. The performance curves are based on kinematic viscosity values = 1 mm²/s and density equal to 1000 kg/m³. Curve tolerance according to ISO 9906.  
**Compliance with MEI**

### PERFORMANCE AT 50 Hz - 2 POLES

MODEL	ELECTRICAL DATA		Q=m3h Q=l/min	HYDRAULIC DATA												COUPLING STANDARD MOTOR
	P2 NOMINAL			0	12	18	24	30	36	42	45	48	54	60	66	
	kW	HP		0	200	300	400	500	600	700	750	800	900	1000	1100	
45/3H-45	4	5,5	H (m)	39	35,5	33,5	32	30,5	28,5	26	24,5	23	18,5	14	9	4"
45/4H-47	5,5	7,5		52	47,5	45	43	41	38,5	35	33	30,5	25,5	19	13	4"
45/5G-610	7,5	10		70	64	61,5	59,5	57	54	49,5	47	44	37,5	29,5	20	6"
45/6F-612	9,2	12,5		85,5	78,5	75	72,5	69,5	66	60,5	57,5	53,5	45	35	24,5	6"
45/7E-615	11	15		101	95,5	92	89	85	80	72,5	68,5	64	53,5	41,5	28,5	6"
45/8E-617	13	17,5		116	110	106,5	103	99	93	85	80,5	75	63	48	31,5	6"
45/10F-620	15	20		140,5	130	124,5	119,5	114,5	108	99	93,5	87,5	73,5	57	39,5	6"
45/11F-625	18,5	25		154,5	143	137	131,5	125,5	118,5	108,5	102,5	96	80,5	62,5	43,5	6"
45/12F-625	18,5	25		168,5	156	149	143,5	137	129,5	118,5	112	104,5	87,5	68	47	6"
45/13F-630	22	30		182,5	168,5	161,5	155,5	148,5	140	128	121	113	95	73,5	51	6"
45/14E-630	22	30		201,5	190,5	183,5	177	169	159	144,5	136	126,5	105,5	81,5	57	6"
45/17F-635	26	35		238,5	220,5	211	203	194	183	167,5	158	147,5	123,5	95,5	66	6"
45/20F-640	30	40		280,5	259,5	248,5	238,5	228	215	196,5	186	173,5	145,5	112	75	6"
45/22G-645	37	50		308	284,5	274	263	250	234	212,5	200,5	187	157	121	78,5	6"
45/24F-650	37	50		336,5	311	298	286	273,5	258	236	222,5	208	174	134,5	93	6"

# SMC6 45

## 6" SUBMERSIBLE ELECTRIC PUMPS

### ELECTRICAL DATA AND DIMENSIONS

MODEL	MOTOR *	ELECTRICAL DATA			OPERATION WITH INVERTER	HORIZONTAL INSTALLATION	L2 mm	L mm	L1 mm	D mm	D1 mm	DN GAS	HYDRAULIC WEIGHT kg	MOTOR WEIGHT kg
		P2 NOMINAL		In A										
		kW	HP											
45/3H-45	4GG	4	5,5	10	●	●	1278	614	664	94	149	3"	26	23
	40L	4	5,5	9,5	●	●	1252	588		94			26	17
45/4H-47	4GG	5,5	7,5	14	●	●	1318	684	773	94	149	3"	31	27
	40L	5,5	7,5	13	●	●	1292	658		94			31	24
45/5G-610	6GF	7,5	10	18	●	●	1548	660	888	141	150	3"	37	47
	TR6	7,5	10	18	○	●	1725	837		144			37	53
45/6F-612	6GF	9,2	12,5	22	●	●	1688	685	1003	141	150	3"	42	50
	TR6	9,2	12,5	21	○	●	1870	867		144			42	55
45/7E-615	6GF	11	15	25,5	●	●	1848	730	1118	141	150	3"	47	55
	TR6	11	15	25	○	●	2015	897		144			47	60
45/8E-617	6GF	15	20	33,4	●	●	2018	785	1233	141	150	3"	53	60
	TR6	13	17,5	29	○	●	2160	927		144			53	65
45/10F-620	6GF	15	20	33,5	●	●	2248	785	1463	141	150	3"	64	60
	TR6	15	20	32	○	●	2460	997		144			64	77
45/11F-625	6GF	18,5	25	41	●	●	2438	860	1578	141	150	3"	69	68
	TR6	18,5	25	39	○	●	2635	1057		144			69	83
45/12F-625	6GF	18,5	25	41	●	●	2553	860	1693	141	150	3"	74	68
	TR6	18,5	25	39	○	●	2750	1057		144			74	83
45/13F-630	6GF	22	30	47	●	●	2728	920	1808	141	153	3"	80	74
	TR6	22	30	49	○	●	2895	1087		144			80	95
45/14E-630	6GF	22	30	47	●	●	2843	920	1923	141	153	3"	85	74
	TR6	22	30	49	○	●	3010	1087		144			85	95
45/17F-635	6GF	30	40	61,5	●	●	3318	1050	2268	141	153	3"	101	89
	TR6	26	35	58	○	●	3425	1157		144			101	105
45/20F-640	6GF	30	40	61,5	●	●	3663	1050	2613	141	153	3"	117	89
	TR6	30	40	65	○	●	3825	1212		144			117	110
45/22G-645	6GF	37	50	79,3	●	●	4023	1180	2843	141	153	3"	128	100
	TR6	37	50	80	○	●	4155	1312		144			128	120
45/24F-650	6GF	37	50	79,3	●	●	4253	1180	3073	141	153	3"	139	100
	TR6	37	50	80	○	●	4385	1312		144			139	120

\* **4GG MOTOR:** 4" encapsulated in water bath  
**40L MOTOR:** 4" in oil bath  
**6GF MOTOR:** 6" encapsulated in water bath.  
**TR MOTOR:** 6" - 12" rewindable in water bath.

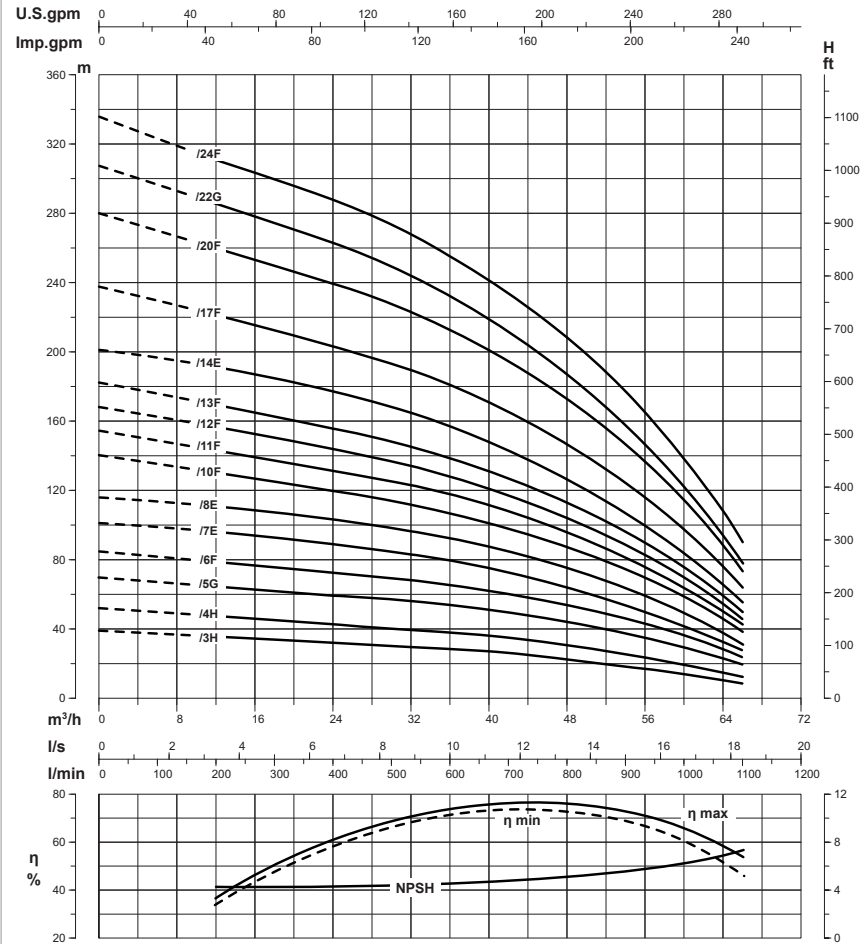
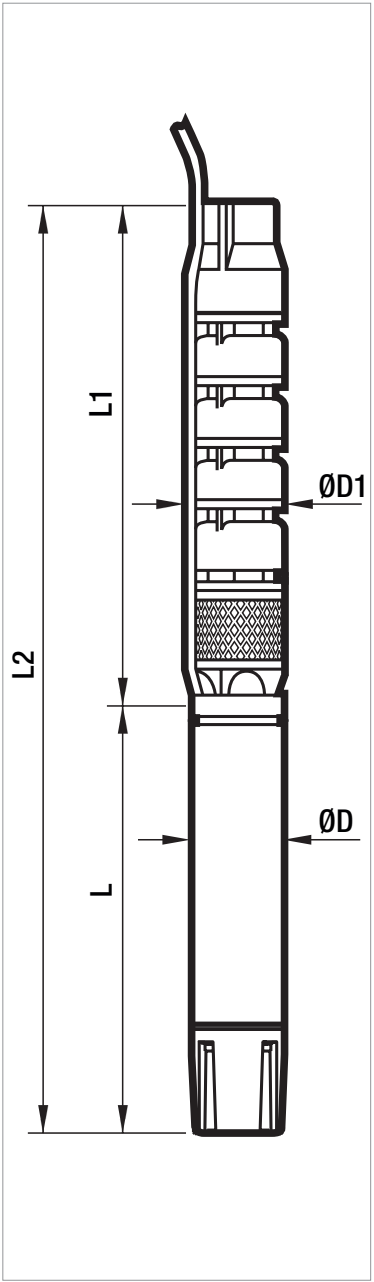
●	Permitted
○	Only version PE2 + PA
△	Contact our sales network



# SMC6 45

## 6" SUBMERSIBLE ELECTRIC PUMPS

SUBMERSIBLE ELECTRIC PUMPS



Performance at 50 Hz 2 poles. The performance curves are based on kinematic viscosity values = 1 mm<sup>2</sup>/s and density equal to 1000 kg/m<sup>3</sup>. Curve tolerance according to ISO 9906. Compliance with MEI

# SMC6 60

## 6" SUBMERSIBLE ELECTRIC PUMPS

### PERFORMANCE AT 50 Hz - 2 POLES

MODEL	ELECTRICAL DATA		Q=m3h Q=l/min	HYDRAULIC DATA												COUPLING STANDARD MOTOR
	P2 NOMINAL			0	18	30	36	42	48	54	60	66	72	78	84	
	kW	HP		0	300	500	600	700	800	900	1000	1100	1200	1300	1400	
60/2G-45	4	5,5	H (m)	26,5	24,5	23,5	22,5	21,5	20	18,5	16	14	11	8	5	4"
60/3G-47	5,5	7,5		39,5	37	35,5	34	32,5	30,5	28	24,5	21	17	13	8	4"
60/4G-610	7,5	10		52	50,5	48,5	47	45	42	39	34,5	30	25	19,5	13	6"
60/5G-612	9,2	12,5		65	63	60,5	58,5	56	52,5	48,5	43	37	31	24	16	6"
60/6G-615	11	15		78	75,5	72,5	70	67,5	63	58	51,5	44,5	36,5	28	18,5	6"
60/7E-617	13	17,5		94,5	89	83,5	81	77,5	72,5	67	59,5	51	42	32	22,5	6"
60/8E-620	15	20		108	101,5	95,5	92,5	88,5	83	76,5	68	58,5	47,5	36,5	25,5	6"
60/9E-625	18,5	25		121,5	114	107,5	104	99,5	93	86	76	65,5	53,5	41	28	6"
60/10E-625	18,5	25		135	126,5	119,5	115,5	110,5	103,5	95,5	84,5	72,5	59	45	31	6"
60/11E-630	22	30		148	139,5	131,5	127	121,5	113,5	104,5	93	79,5	65	49,5	34	6"
60/12E-630	22	30		161,5	152	143	138,5	132,5	124	114	101	87	70,5	54	36,5	6"
60/14E-635	26	35		188,5	178,5	169,5	163,5	156,5	146	134	119,5	103,5	85,5	66,5	44,5	6"
60/16E-640	30	40		215,5	204	193,5	187	178,5	166,5	153	136,5	118	97,5	75,5	50,5	6"
60/18F-650	37	50		238	225	213,5	206	196,5	183	167	148,5	128	105	80	52,5	6"
60/20E-650	37	50		269,5	255	242	233,5	223	208	191,5	170	147	121,5	94	62,5	6"
60/24E-660	45	60		323,5	306	290	280	267,5	249,5	229,5	204	176,5	145,5	112	74,5	6"

### ELECTRICAL DATA AND DIMENSIONS

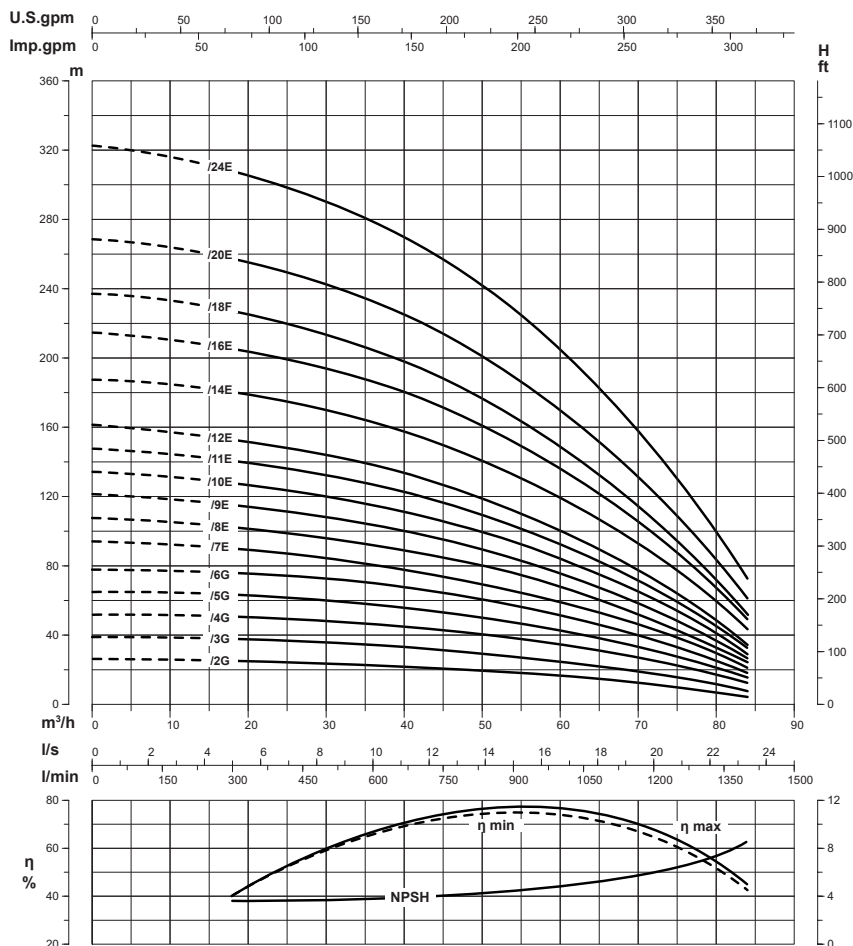
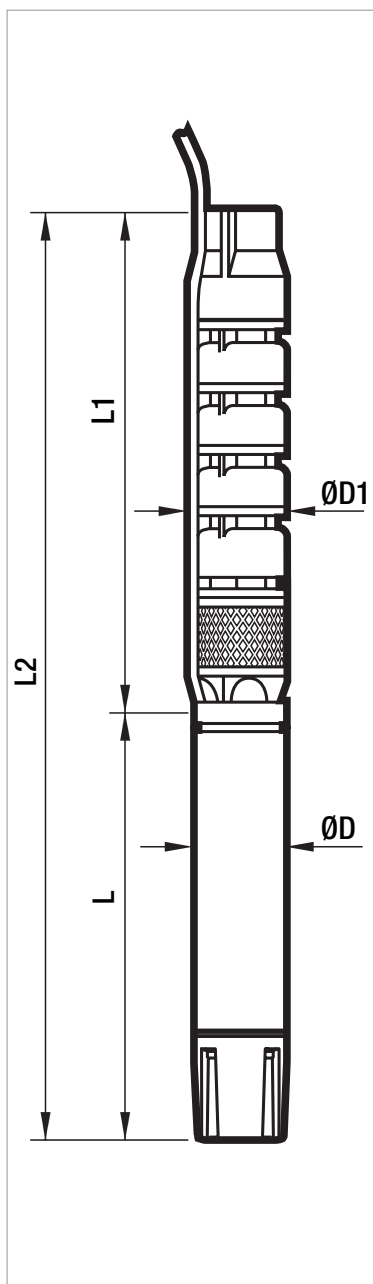
MODEL	MOTOR *	ELECTRICAL DATA			OPERATION WITH INVERTER	HORIZONTAL INSTALLATION	L2 mm	L mm	L1 mm	D mm	D1 mm	DN GAS	HYDRAULIC WEIGHT kg	MOTOR WEIGHT kg
		P2 NOMINAL		In A										
		kW	HP											
60/2G-45	4GG	4	5,5	10	●	●	1278	614	549	94	149	3"	21	23
	4OL	4	5,5	9,5	●	●	1252	588		94			21	17
60/3G-47	4GG	5,5	7,5	14	●	●	1318	684	664	94	149	3"	26	27
	4OL	5,5	7,5	13	●	●	1292	658		94			26	24
60/4G-610	6GF	7,5	10	18	●	●	1433	660	773	141	150	3"	31	47
	TR6	7,5	10	18	○	●	1610	837		144			31	53
60/5G-612	6GF	9,2	12,5	22	●	●	1573	685	888	141	150	3"	37	50
	TR6	9,2	12,5	21	○	●	1755	867		144			37	55
60/6G-615	6GF	11	15	25,5	●	●	1733	730	1003	141	150	3"	42	55
	TR6	11	15	25	○	●	1900	897		144			42	60
60/7E-617	6GF	15	20	33,4	●	●	1903	785	1118	141	150	3"	47	60
	TR6	13	17,5	29	○	●	2045	927		144			47	65
60/8E-620	6GF	15	20	33,4	●	●	2018	785	1233	141	150	3"	53	60
	TR6	15	20	32	○	●	2230	997		144			53	77
60/9E-625	6GF	18,5	25	41	●	●	2208	860	1348	141	150	3"	58	68
	TR6	18,5	25	39	○	●	2405	1057		144			58	83
60/10E-625	6GF	18,5	25	41	●	●	2323	860	1463	141	150	3"	64	68
	TR6	18,5	25	39	○	●	2520	1057		144			64	83
60/11E-630	6GF	22	30	47	●	●	2498	920	1578	141	150	3"	69	74
	TR6	22	30	49	○	●	2665	1087		144			69	95
60/12E-630	6GF	22	30	47	●	●	2613	920	1693	141	150	3"	74	74
	TR6	22	30	49	○	●	2780	1087		144			74	95
60/14E-635	6GF	30	40	61,5	●	●	2973	1050	1923	141	153	3"	85	89
	TR6	26	35	58	○	●	3080	1157		144			85	105
60/16E-640	6GF	30	40	61,5	●	●	3203	1050	2153	141	153	3"	96	89
	TR6	30	40	65	○	●	3365	1212		144			96	110
60/18F-650	6GF	37	50	79,3	●	●	3563	1180	2383	141	153	3"	106	100
	TR6	37	50	80	○	●	3695	1312		144			106	120
60/20E-650	6GF	37	50	79,3	●	●	3793	1180	2613	141	153	3"	117	100
	TR6	37	50	80	○	●	3925	1312		144			117	120
60/24E-660	6GF	45	60	95	●	●	4433	1360	3073	141	153	3"	139	114
	TR6	45	60	96	○	●	4530	1457		144			139	135

\* 4GG MOTOR: 4" encapsulated in water bath  
 4OL MOTOR: 4" in oil bath  
 6GF MOTOR: 6" encapsulated in water bath.  
 TR MOTOR: 6" - 12" rewindable in water bath.

●	Permitted
○	Only version PE2 + PA
▲	Contact our sales network

# SMC6 60

## 6" SUBMERSIBLE ELECTRIC PUMPS



Performance at 50 Hz 2 poles. The performance curves are based on kinematic viscosity values = 1 mm²/s and density equal to 1000 kg/m³. Curve tolerance according to ISO 9906. Compliance with MEI

# SMC8 - SMN8

## 8" SUBMERSIBLE ELECTRIC PUMPS



### TECHNICAL DATA

**Operating range:** up to 192 m<sup>3</sup>/h with head up to 488 m.

**Pumped liquid:** clean, free of solids and abrasives, chemically neutral, with properties similar to water.

**Start-ups/hour:** see the coupled motor

**Cooling flow:** see the coupled motor

**Maximum permitted amount of sand:** 40 g/m<sup>3</sup>

**Ambient temperature:** 30 °C

**Minimum recommended level on suction line:** 1,5 m.

**Installation:** horizontal or vertical

### APPLICATIONS

Multistage semiaxial submersible electric pumps for wells measuring 8" or above, able to generate a broad range of flow rates and heads.

They are used extensively for the lifting, distribution and pressurisation of industrial water systems, the supply of pressure vessels and tanks, firefighting systems and irrigation systems.

Application with clean, non-aggressive water free from solids or abrasive substances.

### CONSTRUCTION FEATURES OF THE PUMP

#### SMC version:

Cast iron pump body treated with cataphoresis paint coating and dynamically balanced impellers in microcast AISI 304 stainless steel coupled on the shaft with pull tab. Shaft guided with coaxial bush bearings and fully protected with bushes.

Pump with check valve of low pressure loss.

Threaded delivery port.

#### SMN version:

Pump body and impellers in microcast AISI 316 stainless steel. Dynamically balanced impellers coupled on the shaft with pull tab. Shaft guided with coaxial bush bearings and fully protected with bushes.

Pump with check valve of low pressure loss.

Threaded delivery port.

Coupling with motors of 6" or 8" depending on the required hydraulic power and available in a standard version with cast iron supports treated with cataphoresis paint coating, and in a version entirely in AISI 316 stainless steel:

6GF/6GX: encapsulated 6" submersible motor

TR6: rewindable 6" submersible motor

TR8: rewindable 8" submersible motor

Refer to the technical data sheets of the specific model for the electrical characteristics of the submersible motors and the specifications for operation with inverter.

### ON REQUEST

Non-standard pump/motor couplings.

Star/Delta starting version.

Motor version for high temperature of water.

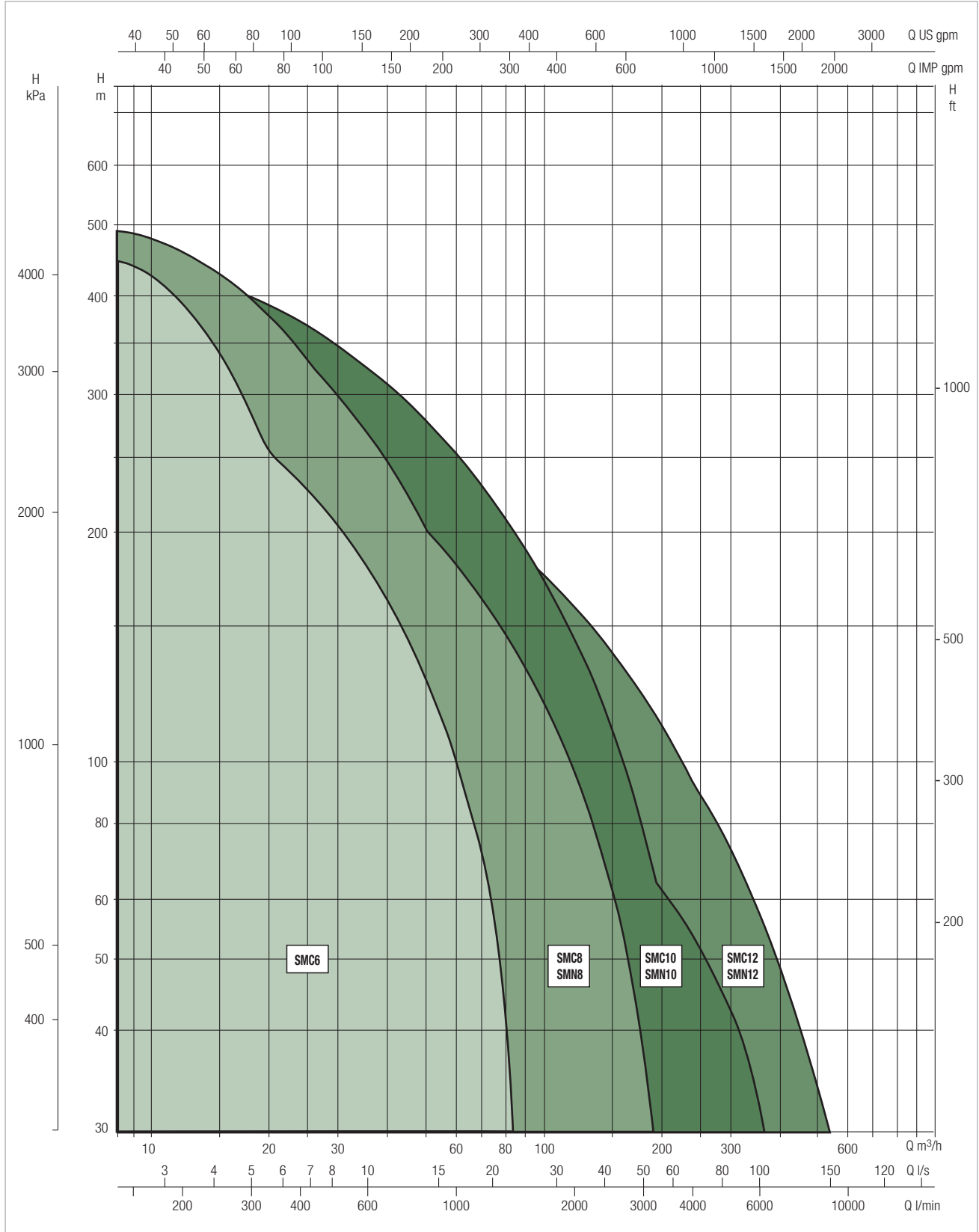
# SMC - SMN

## SUBMERSIBLE ELECTRIC PUMPS

### PERFORMANCE RANGE

The performance curves are based on kinematic viscosity values = 1 mm<sup>2</sup>/s and density equal to 1000 kg/m<sup>3</sup>. Curve tolerance according to ISO 9906.

### GRAPHIC SELECTION TABLE

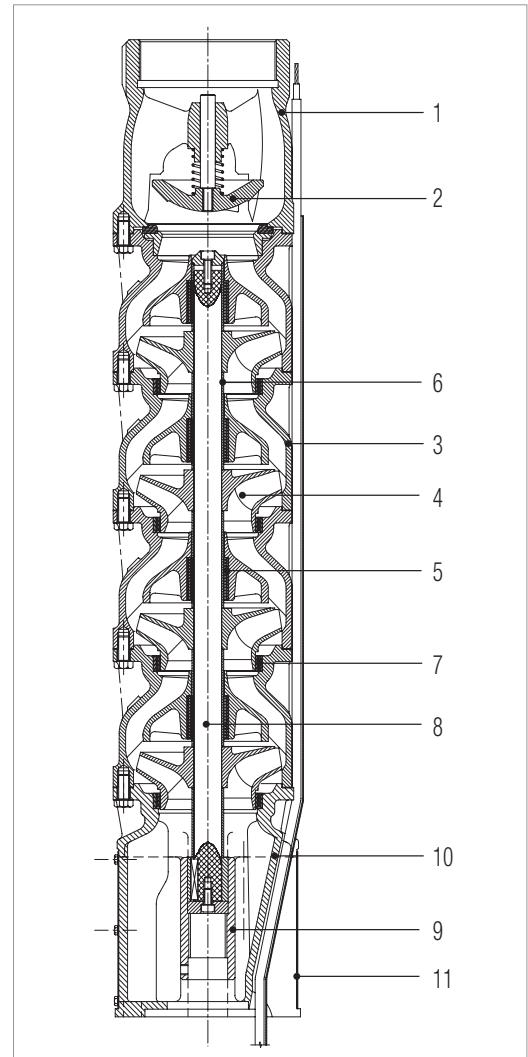


# SMC8 - SMN8

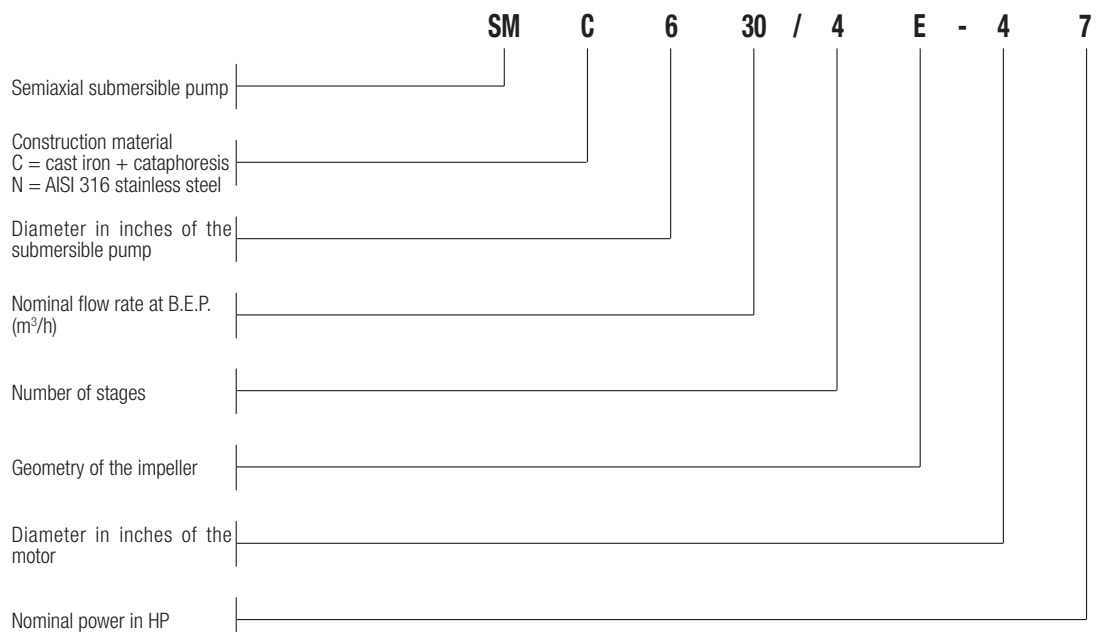
## 8" SUBMERSIBLE ELECTRIC PUMPS

### MATERIALS

N.	PARTS	MATERIALS- SMC	MATERIALS- SMN
1	DELIVERY BODY	CAST IRON + CATAPHORESIS	AISI 316 STAINLESS STEEL
2	NON-RETURN VALVE	STAINLESS STEEL	AISI 316 STAINLESS STEEL
3	DIFFUSER	CAST IRON + CATAPHORESIS	AISI 316 STAINLESS STEEL
4	IMPELLER	CAST IRON + CATAPHORESIS PAINT COATING FOR SMC8 60 AND SMC8 85 AISI 304 STAINLESS STEEL FOR SMC8 110 AND SMC8 135	AISI 316 STAINLESS STEEL
5	GUIDE BEARING	RUBBER	VITON
6	BUSH	CHROME-PLATED BRASS	AISI 316 STAINLESS STEEL
7	WEAR RING	RUBBER	POM
8	PUMP SHAFT	STAINLESS STEEL	AISI 329 DUPLEX STAINLESS STEEL
9	PIPE	STAINLESS STEEL	AISI 329 DUPLEX STAINLESS STEEL
10	SUCTION BODY	CAST IRON + CATAPHORESIS	AISI 316 STAINLESS STEEL
11	FILTER GRID	STAINLESS STEEL	AISI 316 STAINLESS STEEL



**- Legend:**  
(example)



### PERFORMANCE AT 50 Hz - 2 POLES

MODEL	ELECTRICAL DATA		HYDRAULIC DATA														COUPLING STANDARD MOTOR
	P2 NOMINAL		Q=m3h	0	24	30	36	42	48	54	60	66	72	78	84	90	
	kW	HP	Q=l/min	0	400	500	600	700	800	900	1000	1100	1200	1300	1400	1500	
60/1D-65	4	5,5	H (m)	23,5	20	19,5	19	18,5	18	17	16,5	15	14	12,5	11	9,5	6"
60/2I-67	5,5	7,5		38	32,5	31,5	30	28,5	27,5	25,5	23,5	21	17,5	14	10,5	7	6"
60/2F-610	7,5	10		47	41	39,5	38,5	37	36	34	32	29,5	27	24	21	18,5	6"
60/3G-612	9,2	12,5		62,5	54,5	53,5	52	50	48	45,5	42,5	38,5	33,5	29	24	19	6"
60/3F-615	11	15		70	62	60,5	58,5	56	54	51,5	48,5	44,5	40,5	35,5	31,5	26	6"
60/4H-615	11	15		79,5	69,5	68	65,5	62	58,5	54,5	50,5	45,5	40	35	28	21,5	6"
60/4G-617	13	17,5		83	73	71	69	66,5	64	60,5	56,5	51	45	38,5	32	25,5	6"
60/4F-620	15	20		93	82	80	78	75	72	68	64,5	59	53,5	47	41	35	6"
60/5G-625	18,5	25		104	91	89	86,5	83	80	76	70,5	64	56	48	40	32	6"
60/5F-625	18,5	25		115	103	100	96,5	93	89	84	79	72,5	65	57	49,5	41,5	6"
60/6G-630	22	30		125	109	107	104	99,5	95,5	91	84,5	76,5	67,5	57,5	48	38,5	6"
60/6F-630	22	30		138	123	120	116	112	107	101	95	86,5	78	68,5	59,5	50	6"
60/7G-630	22	30		146	128	125	121	116	112	106	99	89,5	78,5	67	56	45	6"
60/8G-635	26	35		167	146	144	138	133	128	122	113	102	89,5	77	64	51	6"
60/8F-640	30	40		184	164	160	155	149	142	136	127	116	104	91,5	79,5	66,5	6"
60/9E-650	37	50		207	185	180	174	167	160	152	142	130	117	103	89,5	75	6"
60/10E-650	37	50		230	205	200	194	186	178	169	158	145	130	114	99	83,5	6"
60/11F-860	45	60		253	226	220	213	204	196	185	174	159	143	126	109	92	6"
60/11D-860	45	60		272	241	237	230	221	212	202	189	173	156	136	117	98	6"
60/12D-875	55	75		295	265	259	251	242	234	222	208	191	173	152	132	110	8"
60/13D-875	55	75	321	285	280	272	261	251	238	223	204	184	161	139	117	8"	
60/14E-885	63	85	334	297	290	280	269	259	246	231	212	190	165	141	116	8"	
60/15F-885	63	85	349	313	308	298	286	275	260	243	222	198	172	147	122	8"	
60/15C-8100	75	100	375	340	334	324	313	300	287	270	247	222	194	164	135	8"	
60/15B-8100	75	100	385	358	350	340	327	315	302	286	265	243	217	188	159	8"	
60/16B-8100	75	100	411	382	374	363	349	333	316	298	278	255	228	200	170	8"	
60/18B-8125	92	125	460	423	412	400	386	369	350	328	304	277	248	218	187	8"	
60/19B-8125	92	125	488	453	444	431	415	396	376	354	330	303	271	238	202	8"	



### ELECTRICAL DATA AND DIMENSIONS

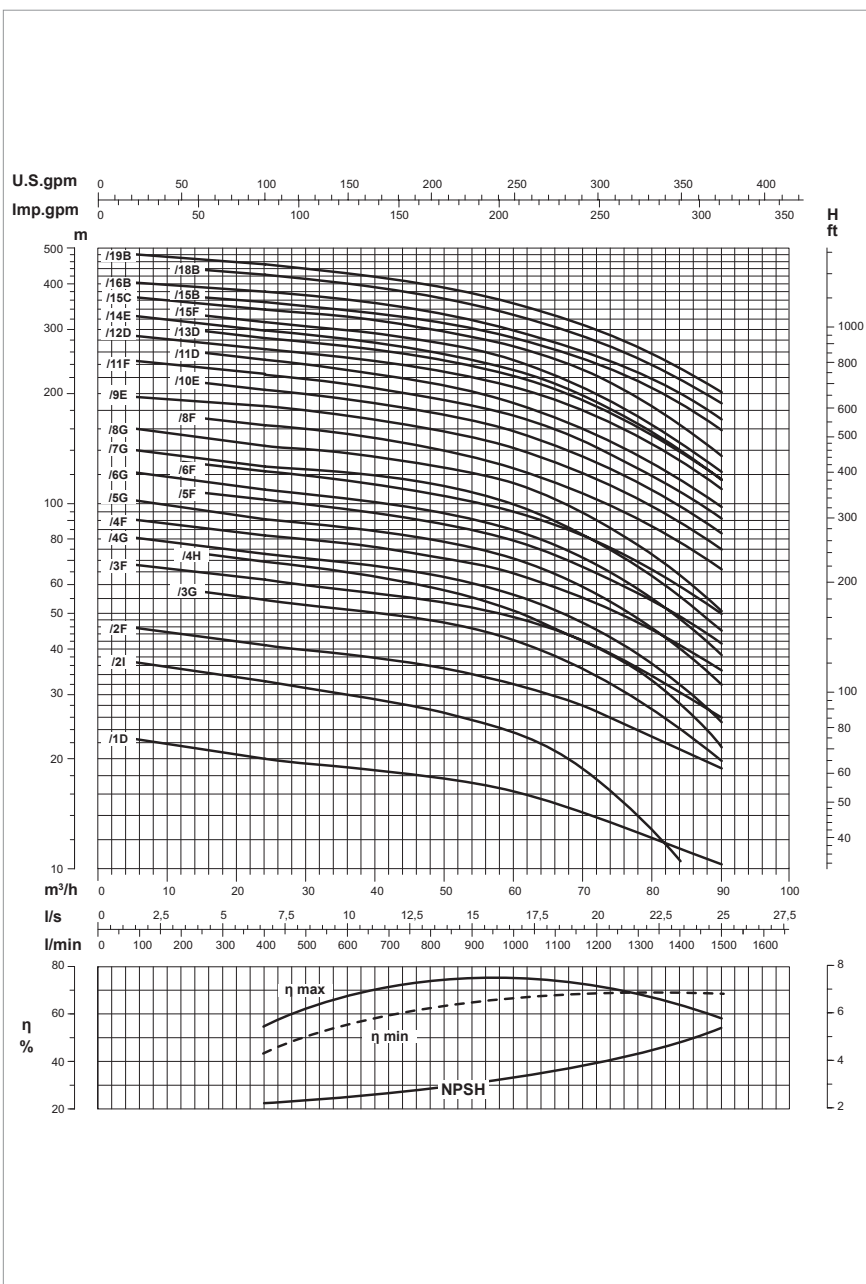
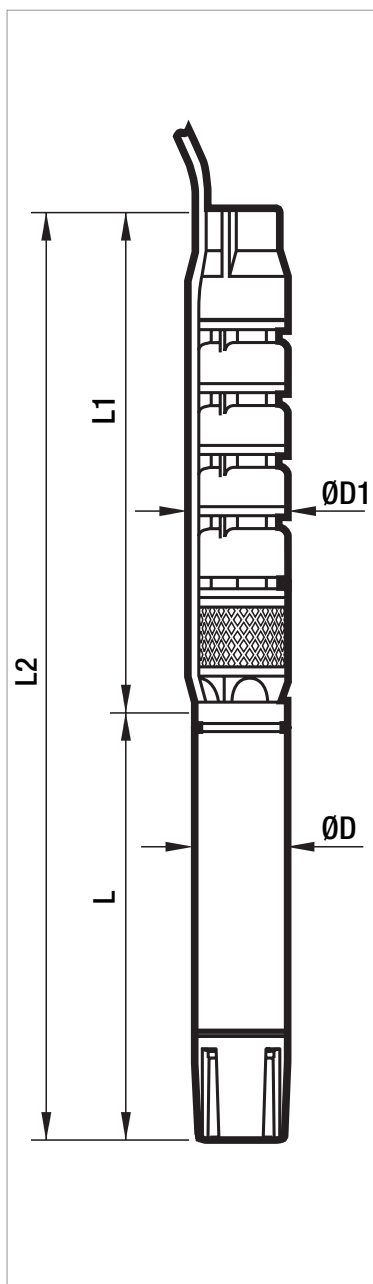
MODEL	MOTOR *	ELECTRICAL DATA			OPERATION WITH INVERTER	HORIZONTAL INSTALLATION	L2 mm	L mm	L1 mm	D mm	D1 mm	DN GAS	HYDRAULIC WEIGHT kg	MOTOR WEIGHT kg
		P2 NOMINAL		In A										
		kW	HP											
60/1D-65	6GF	4	5,5	10,6	●	●	1151	600	551	141	196	5"	32	40
60/2I-67	6GF	5,5	7,5	14	●	●	1318	631	687	141	196	5"	42	44
	TR6	5,5	7,5	13	○	●	1494	807		144			42	50
60/2F-610	6GF	7,5	10	18	●	●	1347	660	687	141	196	5"	42	47
	TR6	7,5	10	18	○	●	1524	837		144			42	53
60/3G-612	6GF	9,2	12,5	22	●	●	1508	685	823	141	196	5"	52	50
	TR6	9,2	12,5	21	○	●	1690	867		144			52	55
60/3F-615	6GF	11	15	25,5	●	●	1553	730	823	141	196	5"	53	55
	TR6	11	15	25	○	●	1720	897		144			53	60
60/4H-615	6GF	11	15	25,5	●	●	1689	730	959	141	196	5"	63	55
	TR6	11	15	25	○	●	1856	897		144			63	60
60/4G-617	6GF	15	20	33,4	●	●	1744	785	959	141	196	5"	63	60
	TR6	13	17,5	29	○	●	1886	927		144			63	65
60/4F-620	6GF	15	20	33,4	●	●	1744	785	959	141	196	5"	63	60
	TR6	15	20	32	○	●	1956	997		144			63	77
60/5G-625	6GF	18,5	25	41	●	●	1955	860	1095	141	196	5"	74	68
	TR6	18,5	25	39	○	●	2152	1057		144			74	83
60/5F-625	6GF	18,5	25	41	●	●	1955	860	1095	141	196	5"	74	68
	TR6	18,5	25	39	○	●	2152	1057		144			74	83
60/6G-630	6GF	22	30	47	●	●	2151	920	1231	141	196	5"	84	74
	TR6	22	30	49	○	●	2318	1087		144			84	95
60/6F-630	6GF	22	30	47	●	●	2151	920	1231	141	196	5"	85	74
	TR6	22	30	49	○	●	2318	1087		144			85	95
60/7G-630	6GF	22	30	47	●	●	2287	920	1367	141	196	5"	95	74
	TR6	22	30	49	○	●	2454	1087		144			95	95
60/8G-635	6GF	30	40	61,5	●	●	2553	1050	1503	141	196	5"	105	89
	TR6	26	35	58	○	●	2660	1157		144			105	105
60/8F-640	6GF	30	40	61,5	●	●	2553	1050	1503	141	196	5"	106	89
	TR6	30	40	65	○	●	2715	1212		144			106	110
60/9E-650	6GF	37	50	79,3	●	●	2819	1180	1639	141	198	5"	117	100
	TR6	37	50	80	○	●	2951	1312		144			117	120
60/10E-650	6GF	37	50	79,3	●	●	2955	1180	1775	141	198	5"	128	100
	TR6	37	50	80	○	●	3087	1312		144			128	120
60/11F-860	TR8	45	60	92	○	●	3181	1270	1911	192	198	5"	140	177
60/11D-860	TR8	45	60	92	○	●	3181	1270	1911	192	198	5"	140	177
60/12D-875	TR8	55	75	109	○	●	3397	1350	2047	192	198	5"	150	192
60/13D-875	TR8	55	75	109	○	●	3533	1350	2183	192	198	5"	161	192
60/14E-885	TR8	63	85	126	○	●	3809	1490	2319	192	200	5"	172	218
60/15F-885	TR8	63	85	126	○	●	3945	1490	2455	192	200	5"	182	218
60/15C-8100	TR8	75	100	145	○	●	4045	1590	2455	192	200	5"	183	237
60/15B-8100	TR8	75	100	145	○	●	4045	1590	2455	192	200	5"	184	237
60/16B-8100	TR8	75	100	145	○	●	4181	1590	2591	192	200	5"	195	237
60/18B-8125	TR8	92	125	177	○	●	4693	1830	2863	192	202	5"	216	283
60/19B-8125	TR8	92	125	177	○	●	4829	1830	2999	192	202	5"	227	283

\* 6GF MOTOR: 6" encapsulated in water bath.  
TR MOTOR: 6" - 12" rewindable in water bath.

●	Permitted
○	Only version PE2 + PA
▲	Contact our sales network

# SMC8 60

## 8" SUBMERSIBLE ELECTRIC PUMPS



Performance at 50 Hz 2 poles. The performance curves are based on kinematic viscosity values = 1 mm<sup>2</sup>/s and density equal to 1000 kg/m<sup>3</sup>. Curve tolerance according to ISO 9906.

# SMN8 60

## 8" SUBMERSIBLE ELECTRIC PUMPS

### PERFORMANCE AT 50 Hz - 2 POLES

MODEL	ELECTRICAL DATA		Q=m3h Q=l/min	HYDRAULIC DATA												COUPLING STANDARD MOTOR
	P2 NOMINAL			0	24	30	42	48	54	60	66	72	78	84	90	
	kW	HP		0	400	500	700	800	900	1000	1100	1200	1300	1400	1500	
60/1E-65	4	5,5	H (m)	25	21	20,5	19	18	17,5	16,5	15,5	14	13	11	9,5	6"
60/2E-610	7,5	10		49,5	42,5	41	38	36,5	35	33	31	28,5	25,5	22,5	19	6"
60/3E-615	11	15		75	64	62	57	55	52	49,5	46	42,5	38,5	33,5	28,5	6"
60/4E-620	15	20		99	85	82	76	73	70	66	62	57	51	45	38	6"
60/5E-625	18,5	25		124	106	103	95	91	87	82	77	71	64	56	48	6"
60/6E-630	22	30		149	127	123	114	110	105	99	93	85	77	68	57	6"
60/7E-635	26	35		174	149	144	133	128	122	115	108	99	90	79	67	6"
60/8E-640	30	40		199	170	164	152	146	139	132	123	113	102	90	76	6"
60/9E-650	37	50		221	189	183	170	163	155	147	137	126	113	98	76	6"
60/10E-650	37	50		246	210	203	188	181	172	163	152	139	125	109	91	6"
60/11L-860	45	60		267	228	221	205	197	187	177	166	151	135	116	96	8"
60/12L-860	45	60		292	248	241	224	214	204	193	180	164	147	127	104	8"
60/13E-875	55	75		328	282	273	255	245	234	221	207	190	171	150	125	8"
60/14E-875	55	75		354	304	294	274	263	251	238	223	205	184	161	135	8"
60/15E-885	63	85		379	325	315	294	282	269	255	239	219	197	173	145	8"
60/15B-8100	75	100		410	355	343	318	306	294	278	262	245	225	200	174	8"
60/17B-8100	75	100		465	404	389	362	348	332	315	298	276	254	227	197	8"

# SMN8 60

## 8" SUBMERSIBLE ELECTRIC PUMPS

### ELECTRICAL DATA AND DIMENSIONS

MODEL	MOTOR *	ELECTRICAL DATA			OPERATION WITH INVERTER	HORIZONTAL INSTALLATION	L2 mm	L mm	L1 mm	D mm	D1 mm	DN GAS	HYDRAULIC WEIGHT kg	MOTOR WEIGHT ** kg
		P2 NOMINAL		In A										
		kW	HP											
60/1E-65	6GX	4	5,5	10,6	●	●	1151	600	551	141	198	5"	23	-
60/2E-610	6GX	7,5	10	18	●	●	1347	660	687	141	198	5"	30	-
	TR6	7,5	10	18	○	●	1524	837		144			30	-
60/3E-615	6GX	11	15	25,5	●	●	1553	730	823	141	198	5"	38	-
	TR6	11	15	25	○	●	1720	897		144			38	-
60/4E-620	6GX	15	20	33,4	●	●	1744	785	959	141	198	5"	46	-
	TR6	15	20	32	○	●	1956	997		144			46	-
60/5E-625	6GX	18,5	25	41	●	●	1955	860	1095	141	198	5"	53	-
	TR6	18,5	25	39	○	●	2152	1057		144			53	-
60/6E-630	6GX	22	30	47	●	●	2151	920	1231	141	198	5"	61	-
	TR6	22	30	49	○	●	2318	1087		144			61	-
60/7E-635	6GX	30	40	61,5	●	●	2417	1050	1367	141	198	5"	69	-
	TR6	26	35	58	○	●	2524	1157		144			69	-
60/8E-640	6GX	30	40	61,5	●	●	2553	1050	1503	141	198	5"	76	-
	TR6	30	40	65	○	●	2715	1212		144			76	-
60/9E-650	6GX	37	50	79,3	●	●	2819	1180	1639	141	198	5"	84	-
	TR6	37	50	80	○	●	2951	1312		144			84	-
60/10E-650	6GX	37	50	79,3	●	●	2955	1180	1775	141	198	5"	92	-
	TR6	37	50	80	○	●	3087	1312		144			92	-
60/11L-860	TR8	45	60	92	○	●	3181	1270	1911	192	198	5"	101	-
60/12L-860	TR8	45	60	92	○	●	3317	1270	2047	192	198	5"	109	-
60/13E-875	TR8	55	75	109	○	●	3533	1350	2183	192	198	5"	116	-
60/14E-875	TR8	55	75	109	○	●	3669	1350	2319	192	198	5"	124	-
60/15E-885	TR8	63	85	126	○	●	3945	1490	2455	192	198	5"	132	-
60/15B-8100	TR8	75	100	145	○	●	4045	1590	2455	192	198	5"	132	-
60/17B-8100	TR8	75	100	145	○	●	4317	1590	2727	192	198	5"	147	-

\* 6GX MOTOR: 6" encapsulated in water bath.

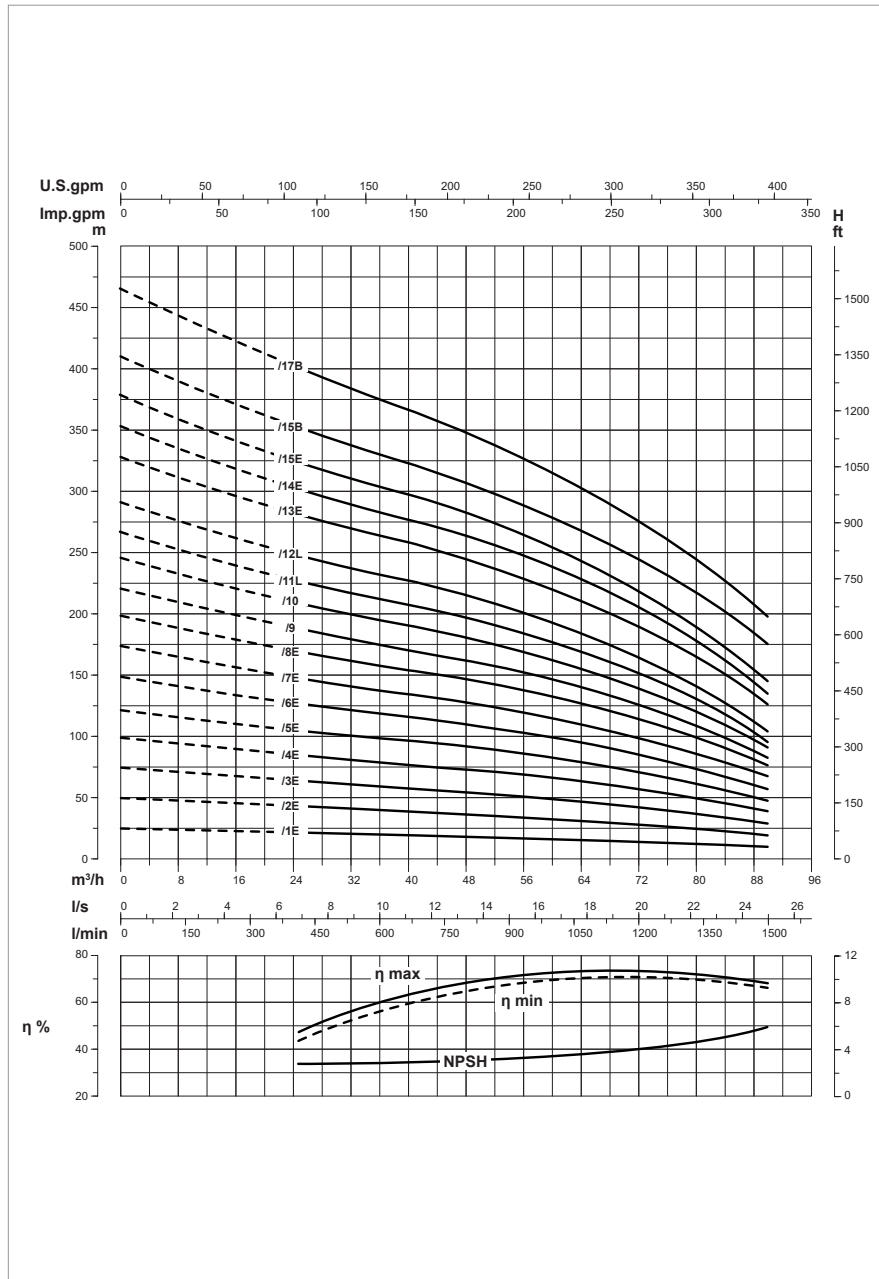
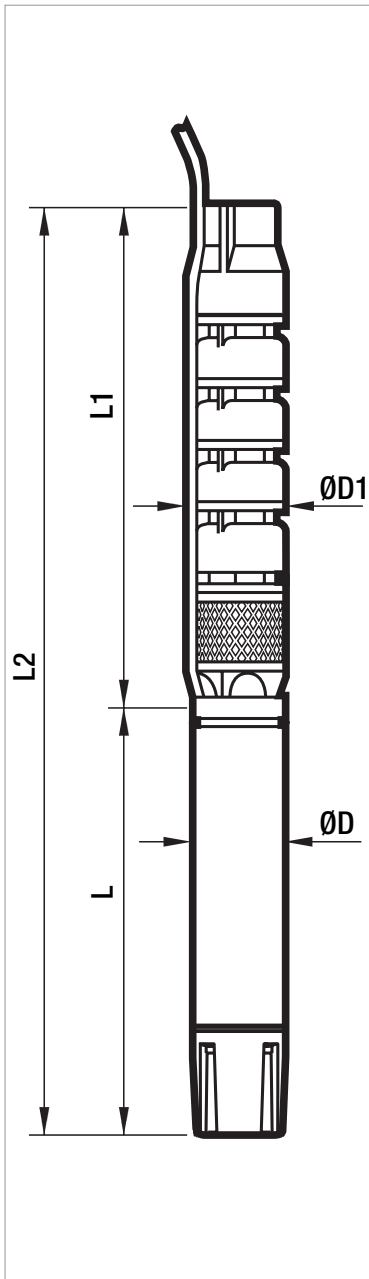
TR MOTOR: 6" - 12" rewindable in water bath.

\*\* For the weight of the version in AISI 316, refer to the page of the motor concerned or contact our sales network.

●	Permitted
○	Only version PE2 + PA
△	Contact our sales network

# SMN8 60

## 8" SUBMERSIBLE ELECTRIC PUMPS



Performance at 50 Hz 2 poles. The performance curves are based on kinematic viscosity values =  $1 \text{ mm}^2/\text{s}$  and density equal to  $1000 \text{ kg}/\text{m}^3$ . Curve tolerance according to ISO 9906.

### PERFORMANCE AT 50 Hz - 2 POLES

MODEL	ELECTRICAL DATA		Q=m3h Q=l/min	HYDRAULIC DATA													COUPLING STANDARD MOTOR
	P2 NOMINAL			0	36	54	60	66	72	78	84	90	96	102	108	114	
	kW	HP		0	600	900	1000	1100	1200	1300	1400	1500	1600	1700	1800	1900	
85/1A-67	5,5	7,5	H (m)	27	21,5	20	19,5	18,5	18	17,5	16,5	15,5	14,5	13	12	10,5	6"
85/2F-610	7,5	10		44	34,5	30,5	29,5	28	27	25	23	21	18,5	16,5	14	12,5	6"
85/2D-612	9,2	12,5		51	41	36,5	35	33,5	32,5	31,5	29,5	27	24,5	21,5	19	16	6"
85/3F-615	11	15		66	52	46	44	42	40	37,5	35	31,5	27,5	24,5	21,5	18	6"
85/3E-617	13	17,5		75	60,5	54,5	52,5	50	48,5	46	43,5	40	35,5	31,5	27,5	23	6"
85/3B-620	15	20		78,5	63	57	55	53	51	49	46,5	42,5	38,5	34	30	25	6"
85/4E-625	18,5	25		91	72	65	62,5	60	57	54	50	45,5	41	35,5	30	24,5	6"
85/4D-625	18,5	25		103	81,5	73	70	67	65	62,5	59	54	49	43,5	38	32,5	6"
85/4B-630	22	30		105	85,5	77	74	71	68,5	65,5	62,5	57,5	52	46,5	40,5	34,5	6"
85/5E-630	22	30		124	99	89	85	81,5	78,5	74,5	69,5	63	57	50	43,5	36,5	6"
85/5A-635	26	35		136	113	102	98	94	91	87,5	83,5	77,5	70,5	63	56	48,5	6"
85/6E-635	26	35		148	119	107	102	98	94	89,5	83	76	68	60	52	43,5	6"
85/6B-640	30	40		157	128	116	111	107	103	98,5	93	85	77	68	59,5	50,5	6"
85/7E-640	30	40		173	139	125	120	116	110	104	97,5	88,5	79,5	70	61	51	6"
85/7D-650	37	50		178	145	131	126	121	116	111	105	95	85	75	65	54,5	6"
85/8D-650	37	50		202	161	145	140	134	128	122	116	105	93,5	81,5	70	57	6"
85/8C-860	45	60		212	173	157	151	146	141	135	128	118	106	94,5	83	70	8"
85/9C-860	45	60		237	194	175	169	162	157	150	142	131	117	104	91	76,5	8"
85/10C-875	55	75		267	218	196	189	182	176	170	162	150	137	122	106	90	8"
85/11C-875	55	75		291	239	215	207	199	192	184	174	160	146	130	114	97	8"
85/12D-885	63	85	304	251	227	218	209	201	193	182	167	150	132	114	95	8"	
85/13E-885	63	85	329	262	236	227	217	208	198	188	170	152	133	114	93	8"	
85/13C-8100	75	100	336	281	257	247	237	229	219	206	190	172	153	134	114	8"	
85/14C-8100	75	100	359	301	276	265	255	245	234	221	203	183	163	142	120	8"	
85/15C-8100	75	100	385	322	294	284	273	263	251	237	218	196	174	152	129	8"	
85/17C-8125	92	125	436	365	333	322	310	298	285	269	246	222	197	173	146	8"	
85/18C-8125	92	125	462	387	353	340	328	315	301	285	261	235	209	183	154	8"	

### ELECTRICAL DATA AND DIMENSIONS

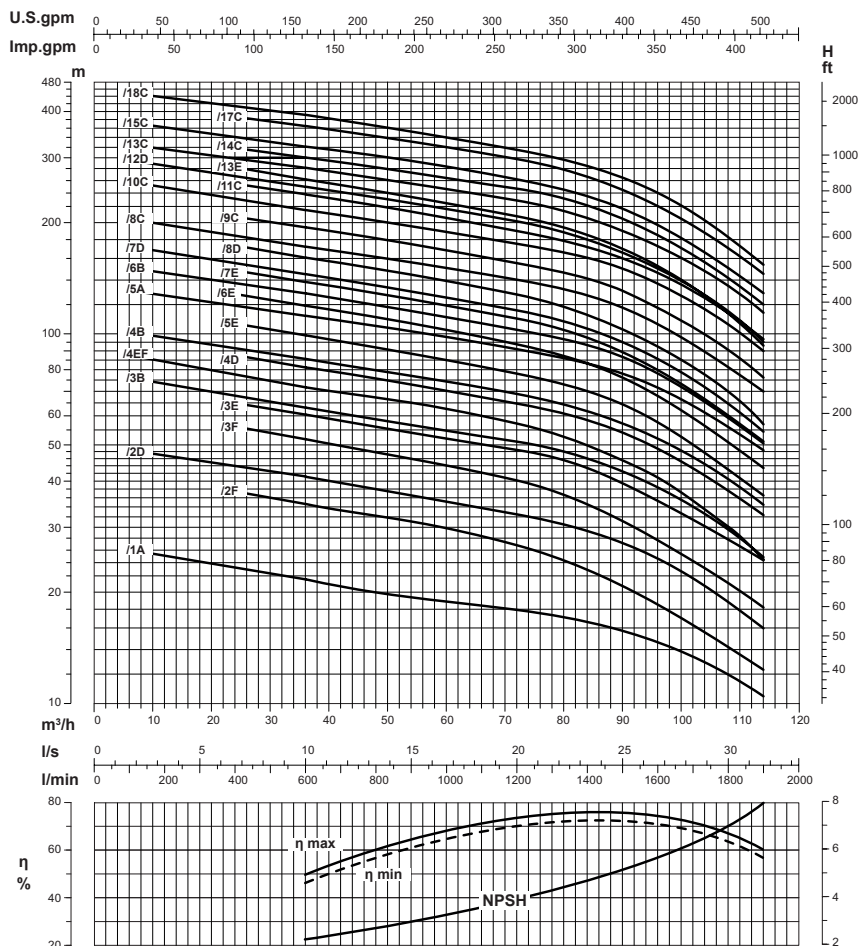
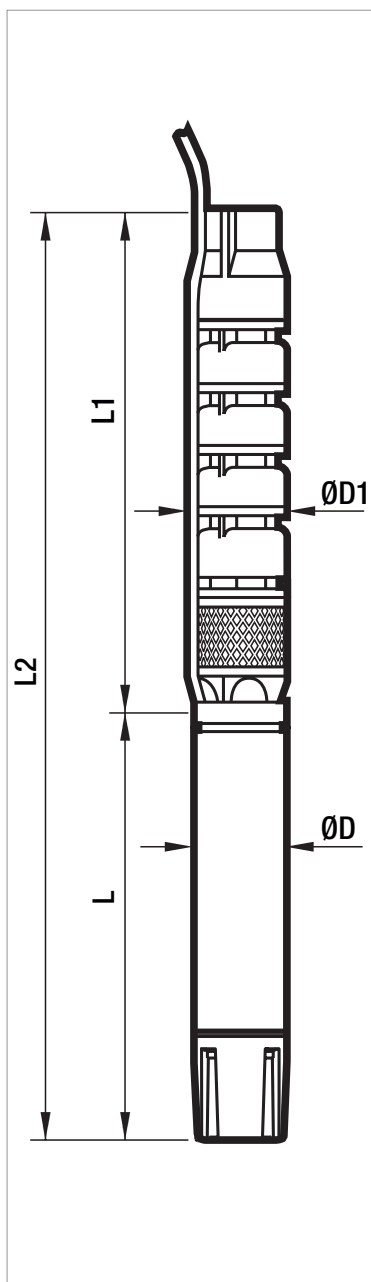
MODEL	MOTOR *	ELECTRICAL DATA			OPERATION WITH INVERTER	HORIZONTAL INSTALLATION	L2 mm	L mm	L1 mm	D mm	D1 mm	DN GAS	HYDRAULIC WEIGHT kg	MOTOR WEIGHT kg
		P2 NOMINAL		In A										
		kW	HP											
85/1A-67	6GF	5,5	7,5	14	●	●	1182	631	551	141	196	5"	32	44
	TR6	5,5	7,5	13	○	●	1358	807		144			32	50
85/2F-610	6GF	7,5	10	18	●	●	1347	660	687	141	196	5"	41	47
	TR6	7,5	10	18	○	●	1524	837		144			41	53
85/2D-612	6GF	9,2	12,5	22	●	●	1372	685	687	141	196	5"	42	50
	TR6	9,2	12,5	21	○	●	1554	867		144			42	55
85/3F-615	6GF	11	15	25,5	●	●	1553	730	823	141	196	5"	52	55
	TR6	11	15	25	○	●	1720	897		144			52	60
85/3E-617	6GF	15	20	33,4	●	●	1608	785	823	141	196	5"	52	60
	TR6	13	17,5	29	○	●	1750	927		144			52	65
85/3B-620	6GF	15	20	33,4	●	●	1608	785	823	141	196	5"	52	60
	TR6	15	20	32	○	●	1820	997		144			52	77
85/4E-625	6GF	18,5	25	41	●	●	1819	860	959	141	196	5"	63	68
	TR6	18,5	25	39	○	●	2016	1057		144			63	83
85/4D-625	6GF	18,5	25	41	●	●	1819	860	959	141	196	5"	63	68
	TR6	18,5	25	39	○	●	2016	1057		144			63	83
85/4B-630	6GF	22	30	47	●	●	1879	920	959	141	196	5"	63	74
	TR6	22	30	49	○	●	2046	1087		144			63	95
85/5E-630	6GF	22	30	47	●	●	2015	920	1095	141	196	5"	73	74
	TR6	22	30	49	○	●	2182	1087		144			73	95
85/5A-635	6GF	30	40	61,5	●	●	2145	1050	1095	141	196	5"	74	89
	TR6	26	35	58	○	●	2252	1157		144			74	105
85/6E-635	6GF	30	40	61,5	●	●	2281	1050	1231	141	196	5"	84	89
	TR6	26	35	58	○	●	2388	1157		144			84	105
85/6B-640	6GF	30	40	61,5	●	●	2281	1050	1231	141	196	5"	84	89
	TR6	30	40	65	○	●	2443	1212		144			84	110
85/7E-640	6GF	30	40	61,5	●	●	2417	1050	1367	141	196	5"	94	89
	TR6	30	40	65	○	●	2579	1212		144			94	110
85/7D-650	6GF	37	50	79,3	●	●	2547	1180	1367	141	198	5"	95	100
	TR6	37	50	80	○	●	2679	1312		144			95	120
85/8D-650	6GF	37	50	79,3	●	●	2683	1180	1503	141	198	5"	105	100
	TR6	37	50	80	○	●	2815	1312		144			105	120
85/8C-860	TR8	45	60	92	○	●	2773	1270	1503	192	198	5"	107	177
85/9C-860	TR8	45	60	92	○	●	2909	1270	1639	192	198	5"	117	177
85/10C-875	TR8	55	75	109	○	●	3125	1350	1775	192	198	5"	128	192
85/11C-875	TR8	55	75	109	○	●	3261	1350	1911	192	198	5"	138	192
85/12D-885	TR8	63	85	126	○	●	3537	1490	2047	192	200	5"	149	218
85/13E-885	TR8	63	85	126	○	●	3673	1490	2183	192	200	5"	159	218
85/13C-8100	TR8	75	100	145	○	●	3773	1590	2183	192	200	5"	160	237
85/14C-8100	TR8	75	100	145	○	●	3909	1590	2319	192	200	5"	170	237
85/15C-8100	TR8	75	100	145	○	●	4045	1590	2455	192	200	5"	181	237
85/17C-8125	TR8	92	125	177	○	●	4557	1830	2727	192	202	5"	202	283
85/18C-8125	TR8	92	125	177	○	●	4693	1830	2863	192	202	5"	213	283

\* 6GF MOTOR: 6" encapsulated in water bath.  
TR MOTOR: 6" - 12" rewindable in water bath.

●	Permitted
○	Only version PE2 + PA
△	Contact our sales network

# SMC8 85

## 8" SUBMERSIBLE ELECTRIC PUMPS



Performance at 50 Hz 2 poles. The performance curves are based on kinematic viscosity values = 1 mm<sup>2</sup>/s and density equal to 1000 kg/m<sup>3</sup>. Curve tolerance according to ISO 9906.



### PERFORMANCE AT 50 Hz - 2 POLES

MODEL	ELECTRICAL DATA		HYDRAULIC DATA													COUPLING STANDARD MOTOR
	P2 NOMINAL		Q=m3h	0	36	60	66	72	78	84	90	96	102	108	114	
	kW	HP	Q=l/min	0	600	1000	1100	1200	1300	1400	1500	1600	1700	1800	1900	
85/1A-67	5,5	7,5	H (m)	28,5	20,5	19,5	19	18	17	16	15	14	12,5	11		6"
85/2D-612	9,2	12,5		54	37,5	36	34,5	33	31,5	29,5	27,5	25	22,5	20	17	6"
85/3A-620	15	20		85	61	59	57	54	52	49	45	42	37	32,5	27,5	6"
85/4D-625	18,5	25		108	75	73	70	66	63	59	55	50	45	40	34	6"
85/4A-630	22	30		114	83	80	77	74	70	66	62	56	51	44	38	6"
85/5D-630	22	30		134	94	91	87	83	79	74	69	63	57	50	43	6"
85/5A-635	26	35		142	104	100	96	92	88	83	77	70	63	55	47	6"
85/6A-640	30	40		170	124	120	116	111	105	99	92	84	76	67	56	6"
85/7C-650	37	50		191	151	130	125	119	113	107	99	91	82	72	62	6"
85/8G-650	37	50		217	171	148	142	135	128	121	112	103	93	81	69	6"
85/8D-860	45	60		234	168	162	156	150	143	135	126	117	106	95	83	8"
85/9E-860	45	60		256	183	177	170	162	155	146	136	125	113	101	87	8"
85/10D-875	55	75		292	210	203	195	187	178	169	158	146	133	119	103	8"
85/11D-875	55	75		321	231	223	215	206	196	186	173	160	146	130	114	8"
85/12D-885	63	85		350	252	243	234	224	213,5	202	189	175	159	142	124	8"
85/13D-8100	75	100		379	273	264	254	243	232	219	205	189	172	154	134	8"
85/14A-8100	75	100		407	305	295	284	272	259	245	228	210	191	169	146	8"
85/15A-8125	92	125		436	327	316	304	291	277	262	245	225	204	181	156	8"
85/16A-8125	92	125	466	349	337	324	311	296	280	261	240	218	193	167	8"	

# SMN8 85

## 8" SUBMERSIBLE ELECTRIC PUMPS

### ELECTRICAL DATA AND DIMENSIONS

MODEL	MOTOR *	ELECTRICAL DATA			OPERATION WITH INVERTER	HORIZONTAL INSTALLATION	L2 mm	L mm	L1 mm	D mm	D1 mm	DN GAS	HYDRAULIC WEIGHT kg	MOTOR WEIGHT ** kg
		P2 NOMINAL		In A										
		kW	HP											
85/1A-67	6GX	5,5	7,5	14	●	●	1182	631	551	141	198	5"	23	-
	TR6	5,5	7,5	13	○	●	1358	807		144			23	-
85/2D-612	6GX	9,2	12,5	22	●	●	1372	685	687	141	198	5"	30	-
	TR6	9,2	12,5	21	○	●	1554	867		144			30	-
85/3A-620	6GX	15	20	33,4	●	●	1608	785	823	141	198	5"	38	-
	TR6	15	20	32	○	●	1820	997		144			38	-
85/4D-625	6GX	18,5	25	41	●	●	1819	860	959	141	198	5"	45	-
	TR6	18,5	25	39	○	●	2016	1057		144			45	-
85/4A-630	6GX	22	30	47	●	●	1879	920	959	141	198	5"	45	-
	TR6	22	30	49	○	●	2046	1087		144			45	-
85/5D-630	6GX	22	30	47	●	●	2015	920	1095	141	198	5"	53	-
	TR6	22	30	49	○	●	2182	1087		144			53	-
85/5A-635	6GX	30	40	61,5	●	●	2145	1050	1095	141	198	5"	53	-
	TR6	26	35	58	○	●	2252	1157		144			53	-
85/6A-640	6GX	30	40	61,5	●	●	2281	1050	1231	141	198	5"	60	-
	TR6	30	40	65	○	●	2443	1212		144			60	-
85/7C-650	6GX	37	50	79,3	●	●	2547	1180	1367	141	198	5"	68	-
	TR6	37	50	80	○	●	2679	1312		144			68	-
85/8G-650	6GX	37	50	79,3	●	●	2683	1180	1503	141	198	5"	77	-
	TR6	37	50	80	○	●	2815	1312		144			77	-
85/8D-860	TR8	45	60	92	○	●	2773	1270	1503	192	198	5"	77	-
85/9E-860	TR8	45	60	92	○	●	2909	1270	1639	192	198	5"	85	-
85/10D-875	TR8	55	75	109	○	●	3125	1350	1775	192	198	5"	92	-
85/11D-875	TR8	55	75	109	○	●	3261	1350	1911	192	198	5"	100	-
85/12D-885	TR8	63	85	126	○	●	3537	1490	2047	192	198	5"	107	-
85/13D-8100	TR8	75	100	145	○	●	3773	1590	2183	192	198	5"	115	-
85/14A-8100	TR8	75	100	145	○	●	3909	1590	2319	192	198	5"	123	-
85/15A-8125	TR8	92	125	177	○	●	4285	1830	2455	192	198	5"	131	-
85/16A-8125	TR8	92	125	177	○	●	4421	1830	2591	192	198	5"	139	-

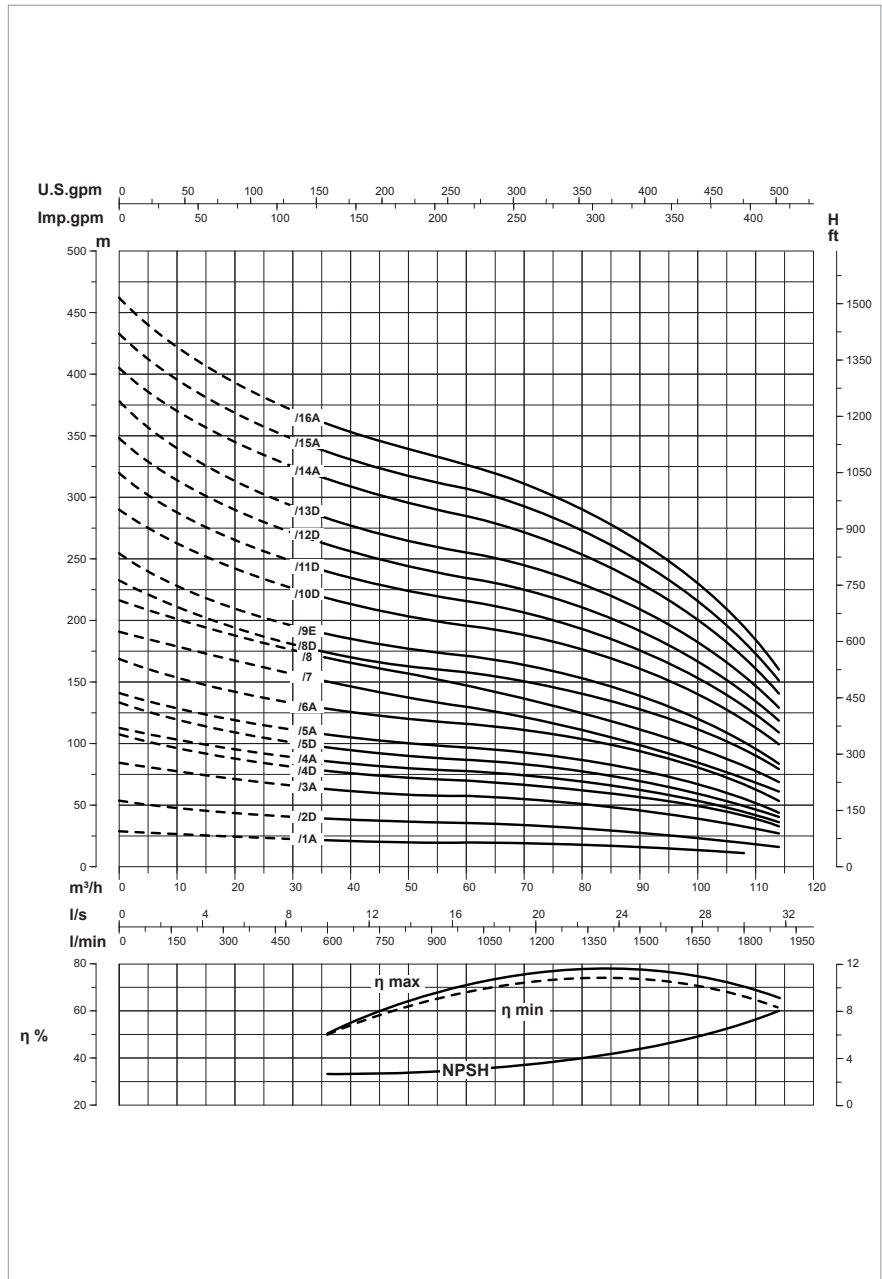
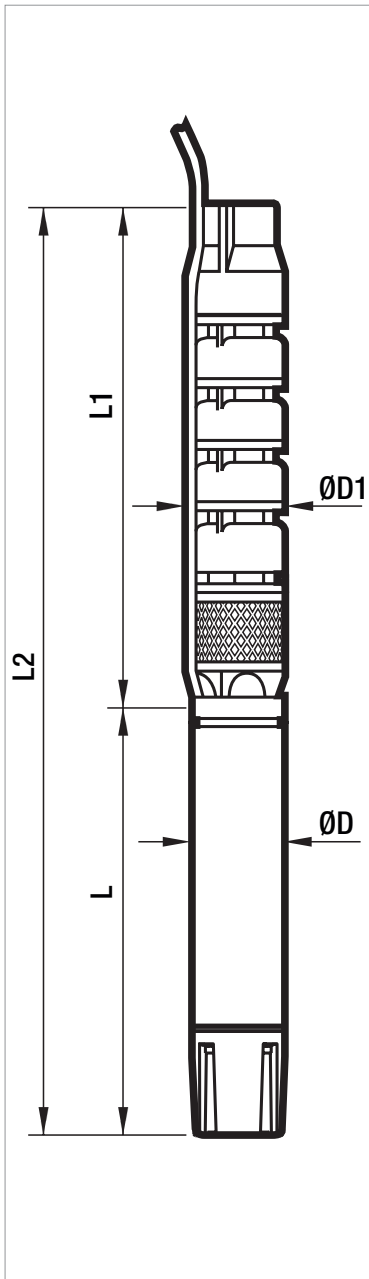
\* **6GF MOTOR:** 6" encapsulated in water bath.  
**TR MOTOR:** 6" - 12" rewindable in water bath.

\*\* For the weight of the version in AISI 316, refer to the page of the motor concerned or contact our sales network.

●	Permitted
○	Only version PE2 + PA
▲	Contact our sales network

# SMN8 85

## 8" SUBMERSIBLE ELECTRIC PUMPS



Performance at 50 Hz 2 poles. The performance curves are based on kinematic viscosity values = 1 mm²/s and density equal to 1000 kg/m³. Curve tolerance according to ISO 9906.

# SMC8 110 - SMN8 110

8" SUBMERSIBLE ELECTRIC PUMPS

## PERFORMANCE AT 50 Hz - 2 POLES

MODEL	ELECTRICAL DATA		Q=m3h Q=l/min	HYDRAULIC DATA												COUPLING STANDARD MOTOR
	P2 NOMINAL			0	36	66	84	96	102	108	114	120	126	138	156	
	kW	HP		0	600	1100	1400	1600	1700	1800	1900	2000	2100	2300	2600	
110/2H-617	13	17,5	H (m)	47,5	42,5	39,5	37	35,5	34,5	33,5	32	30,5	28,5	24,5	17	6"
110/3G-625	18,5	25		69,5	63	57,5	53	50,5	49	47	45	42	39,5	33	22	6"
110/3B-630	22	30		76	69	64	60,5	57,5	56	54	51,5	49	46	39	27,5	6"
110/4F-635	26	35		95	87,5	80,5	75,5	72	69,5	67	63,5	60	56	47,5	32,5	6"
110/5I-640	30	40		112,5	103,5	95	89	84	81,5	78	74	69,5	64,5	53,5	35,5	6"
110/5F-650	37	50		118	109,5	101,5	95,5	91	88	85	80,5	76	71	60,5	41,5	6"
110/6H-650	37	50		137,5	126	117	109,5	103,5	100	96	90,5	85	79	66	45	6"
110/6F-860	45	60		144,5	134	124,5	117,5	112	109	105,5	100,5	95	89	76	53,5	8"
110/6B-860	45	60		155,5	144	134,5	127	121	117,5	113,5	108,5	102,5	96,5	83	59,5	8"
110/7C-875	55	75		178,5	165,5	154	146	139	135	130,5	124,5	117,5	110	92,5	63,5	8"
110/9L-875	55	75		200,5	186	171,5	161,5	154	149	143	136	127,5	118,5	98,5	66	8"
110/9G-885	63	85		209	194,5	180	170	162	157	152	146	137,5	128,5	108,5	74,5	8"
110/9B-8100	75	100		225,5	212	196,5	185,5	176,5	171,5	165,5	159,0	150,5	141,0	121,0	88,0	8"
110/10B-8100	75	100		251,0	235,5	218	206	196	190,5	184	177	167,5	157	134,5	97,5	8"
110/11B-8125	92	125		276	259	240	226,5	215,5	209,5	202,5	194,5	184	172,5	147,5	107,5	8"
110/13E-8125	92	125		313	294	272	257	244,5	238	230	221	209	196,5	167,5	117,5	8"
110/14C-8150	110	150	351	329,5	305,5	288,5	274,5	266,5	257,5	247,5	234	219,5	188	137	8"	
110/15C-8150	110	150	376	353	327,5	309	294	285,5	276	265,5	251	235,5	201,5	146,5	8"	

# SMC8 110 - SMN8 110

## 8" SUBMERSIBLE ELECTRIC PUMPS

### ELECTRICAL DATA AND DIMENSIONS

MODEL	MOTOR *	ELECTRICAL DATA			OPERATION WITH INVERTER	HORIZONTAL INSTALLATION	L2 mm	L mm	L1 mm	D mm	D1 mm	DN GAS	WEIGHT SMC kg	WEIGHT SMN kg	MOTOR WEIGHT ** kg
		P2 NOMINAL		In A											
		kW	HP												
110/2H-617	6GF	15	20	33,4	●	●	1514	785	729	141	196	5"	43	36	60
	TR6	13	17,5	29	○	●	1656	927		144			43	36	65
110/3G-625	6GF	18,5	25	41	●	●	1746	860	886	141	196	5"	55	46	68
	TR6	18,5	25	39	○	●	1943	1057		144			55	46	83
110/3B-630	6GF	22	30	47	●	●	1806	920	886	141	196	5"	55	46	74
	TR6	22	30	49	○	●	1973	1087		144			55	46	95
110/4F-635	6GF	30	40	61,5	●	●	2093	1050	1043	141	196	5"	67	56	89
	TR6	26	35	58	○	●	2200	1157		144			67	56	105
110/5I-640	6GF	30	40	61,5	●	●	2250	1050	1200	141	196	5"	79	66	89
	TR6	30	40	65	○	●	2412	1212		144			79	66	110
110/5F-650	6GF	37	50	79,3	●	●	2380	1180	1200	141	198	5"	79	66	100
	TR6	37	50	80	○	●	2512	1312		144			79	66	120
110/6H-650	6GF	37	50	79,3	●	●	2537	1180	1357	141	198	5"	91	76	100
	TR6	37	50	80	○	●	2669	1312		144			91	76	120
110/6F-860	TR8	45	60	92	○	●	2627	1270	1357	192	198	5"	93	76	177
110/6B-860	TR8	45	60	92	○	●	2627	1270	1357	192	198	5"	93	76	177
110/7C-875	TR8	55	75	109	○	●	2864	1350	1514	192	198	5"	105	86	192
110/9L-875	TR8	55	75	109	○	●	3178	1350	1828	192	198	5"	129	106	192
110/9G-885	TR8	63	85	126	○	●	3318	1490	1828	192	198	5"	129	106	218
110/9B-8100	TR8	75	100	145	○	●	3418	1590	1828	192	200	5"	129	106	237
110/10B-8100	TR8	75	100	145	○	●	3575	1590	1985	192	200	5"	142	116	237
110/11B-8125	TR8	92	125	177	○	●	3972	1830	2142	192	202	5"	154	126	283
110/13E-8125	TR8	92	125	177	○	●	4286	1830	2456	192	202	5"	178	146	283
110/14C-8150	TR8	110	150	213	○	●	4673	2060	2613	192	202	5"	190	156	333
110/15C-8150	TR8	110	150	213	○	●	4830	2060	2770	192	202	5"	203	166	333

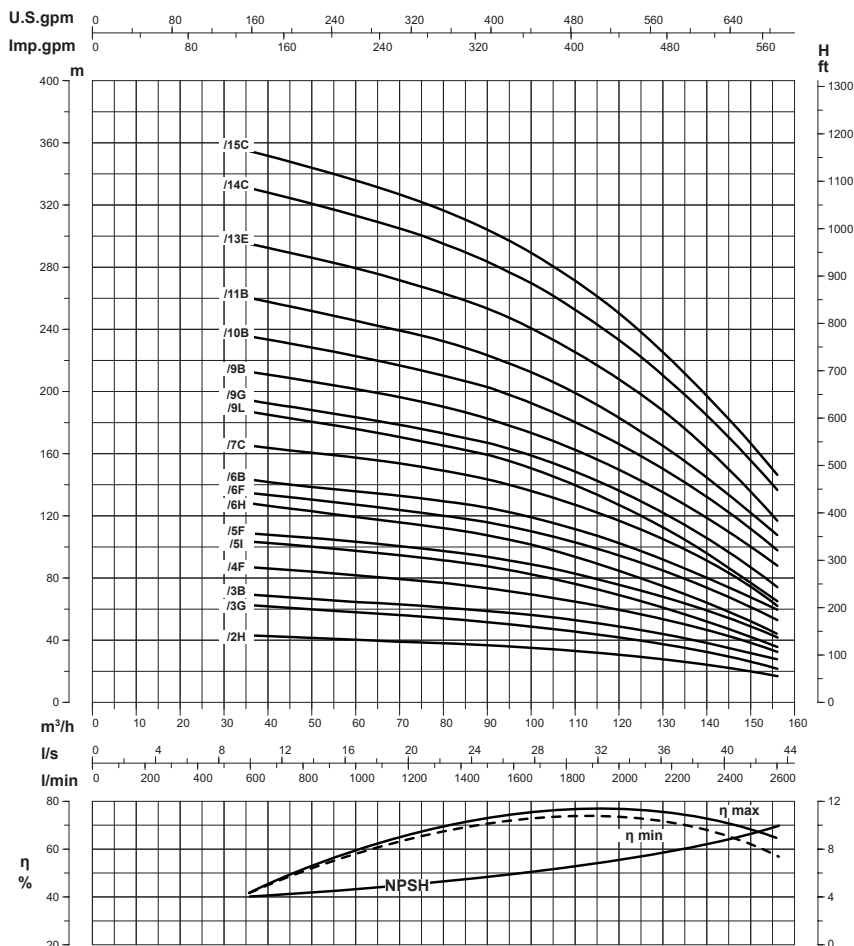
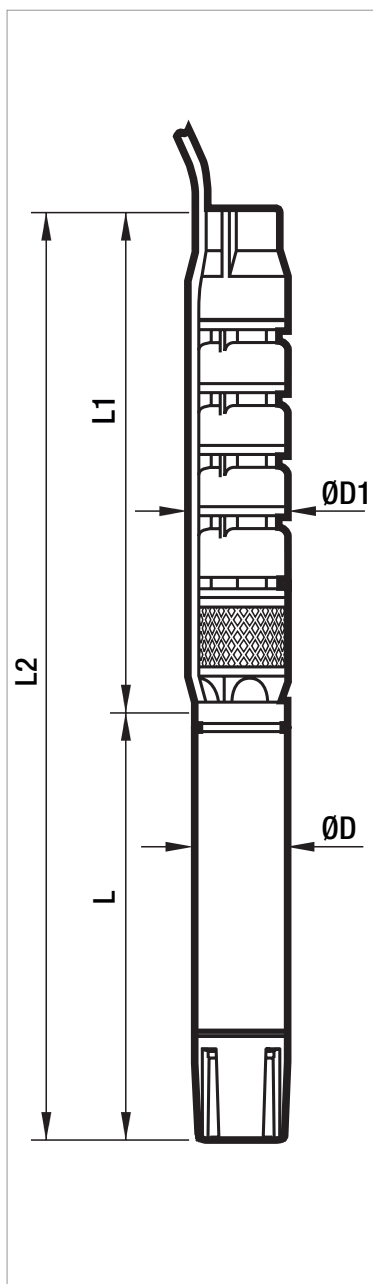
\* 6GF MOTOR: 6" encapsulated in water bath.  
TR MOTOR: 6" - 12" rewindable in water bath.

\*\* For the weight of the version in AISI 316, refer to the page of the motor concerned or contact our sales network.

●	Permitted
○	Only version PE2 + PA
△	Contact our sales network

# SMC8 110 - SMN8 110

## 8" SUBMERSIBLE ELECTRIC PUMPS



Performance at 50 Hz 2 poles. The performance curves are based on kinematic viscosity values = 1 mm<sup>2</sup>/s and density equal to 1000 kg/m<sup>3</sup>. Curve tolerance according to ISO 9906.

# SMC8 135 - SMN8 135

8" SUBMERSIBLE ELECTRIC PUMPS

## PERFORMANCE AT 50 Hz - 2 POLES

MODEL	ELECTRICAL DATA		Q=m3h Q=l/min	HYDRAULIC DATA													COUPLING STANDARD MOTOR
	P2 NOMINAL			0	36	72	96	108	120	132	144	156	168	180	192		
	kW	HP		0	600	1200	1600	1800	2000	2200	2400	2600	2800	3000	3200		
135/2M-617	13	17,5	H (m)	47,5	42	37,5	34,5	33	30,5	28	24,5	20,5	16	12	8,5	6"	
135/2F-620	15	20		52	46	41	38,5	36,5	34,5	32	29	25	21	16,5	12	6"	
135/2C-625	18,5	25		55	48,5	43,5	41	39	37	34,5	31	27	23	19	15,5	6"	
135/3N-625	18,5	25		63,5	58,5	53,5	49	45,5	42	37	32	26	20	14		6"	
135/3L-630	22	30		70	64	57,5	53	50,5	47	42,5	37,5	31,5	25	19	13,5	6"	
135/3B-635	26	35		82,5	75	68,5	64	61	58	54,5	49,5	43	36	29,5	22	6"	
135/4E-640	30	40		101	90	82	76,5	72,5	68,5	63	56,5	49,5	41,5	33	24	6"	
135/4C-650	37	50		106	95	88	82	78	73,5	68	61,5	54	45,5	36,5	26,5	6"	
135/5F-650	37	50		121,5	111	101,5	94	89	84	77,5	69	60	50	39,5	28	6"	
135/5E-860	45	60		128,5	118	108	100	95,5	90,5	84,5	77	68	58,5	47,5	35,5	8"	
135/6F-860	45	60		151	135,5	125	116	110,5	104	96,5	86,5	76	64	51,5	38	8"	
135/7G-875	55	75		176	159,5	147	137	130,5	123	114	102	89	75	60	44,5	8"	
135/7E-875	55	75		181	164	151,5	141,5	135,5	128	119	107	94	80	65	49,5	8"	
135/8G-885	63	85		201,5	182	168	156,5	149,5	140,5	130	117	102	85,5	68,5	51	8"	
135/9G-8100	75	100		220	200,5	185	171,5	163	153,5	141,5	127	110,5	93	74	54	8"	
135/9C-8100	75	100		238	219,5	201,5	187	178,5	169	158	143,5	128	110,5	91	69,5	8"	
135/11C-8125	92	125		291	268,5	246,5	228,5	218	206,5	193	175,5	156,5	135	111	85	8"	
135/13C-8150	110	150		343,5	317	291	270	258	244	228	207,5	185	159,5	131,5	100,5	8"	

# SMC8 135 - SMN8 135

## 8" SUBMERSIBLE ELECTRIC PUMPS

### ELECTRICAL DATA AND DIMENSIONS

MODEL	MOTOR *	ELECTRICAL DATA			OPERATION WITH INVERTER	HORIZONTAL INSTALLATION	L2 mm	L mm	L1 mm	D mm	D1 mm	DN GAS	WEIGHT SMC kg	WEIGHT SMN kg	MOTOR WEIGHT ** kg
		P2 NOMINAL		In A											
		kW	HP												
135/2M-617	6GF	15	20	33,4	●	●	1514	785	729	141	196	5"	43	36	60
	TR6	13	17,5	29	○	●	1656	927		144			43	36	65
135/2F-620	6GF	15	20	33,4	●	●	1514	785	729	141	196	5"	43	36	60
	TR6	15	20	32	○	●	1726	997		144			43	36	77
135/2C-625	6GF	18,5	25	41	●	●	1589	860	729	141	196	5"	43	36	68
	TR6	18,5	25	39	○	●	1786	1057		144			43	36	83
135/3N-625	6GF	18,5	25	41	●	●	1746	860	886	141	196	5"	55	46	68
	TR6	18,5	25	39	○	●	1943	1057		144			55	46	83
135/3L-630	6GF	22	30	47	●	●	1806	920	886	141	196	5"	55	46	74
	TR6	22	30	49	○	●	1973	1087		144			55	46	95
135/3B-635	6GF	30	40	61,5	●	●	1936	1050	886	141	196	5"	55	46	89
	TR6	26	35	58	○	●	2043	1157		144			55	46	105
135/4E-640	6GF	30	40	61,5	●	●	2093	1050	1043	141	196	5"	67	56	89
	TR6	30	40	65	○	●	2255	1212		144			67	56	110
135/4C-650	6GF	37	50	79,3	●	●	2223	1180	1043	141	198	5"	67	56	100
	TR6	37	50	80	○	●	2355	1312		144			67	56	120
135/5F-650	6GF	37	50	79,3	●	●	2380	1180	1200	141	198	5"	79	66	100
	TR6	37	50	80	○	●	2512	1312		144			79	66	120
135/5E-860	TR8	45	60	92	○	●	2470	1270	1200	192	198	5"	81	66	177
135/6F-860	TR8	45	60	92	○	●	2627	1270	1357	192	198	5"	93	76	177
135/7G-875	TR8	55	75	109	○	●	2864	1350	1514	192	198	5"	105	86	192
135/7E-875	TR8	55	75	109	○	●	2864	1350	1514	192	198	5"	105	86	192
135/8G-885	TR8	63	85	126	○	●	3161	1490	1671	192	198	5"	117	96	218
135/9G-8100	TR8	75	100	145	○	●	3418	1590	1828	192	200	5"	129	106	237
135/9C-8100	TR8	75	100	145	○	●	3418	1590	1828	192	200	5"	129	106	237
135/11C-8125	TR8	92	125	177	○	●	3972	1830	2142	192	202	5"	154	126	283
135/13C-8150	TR8	110	150	213	○	●	4516	2060	2456	192	202	5"	178	146	333

\* **6GF MOTOR:** 6" encapsulated in water bath.  
**TR MOTOR:** 6" - 12" rewindable in water bath.

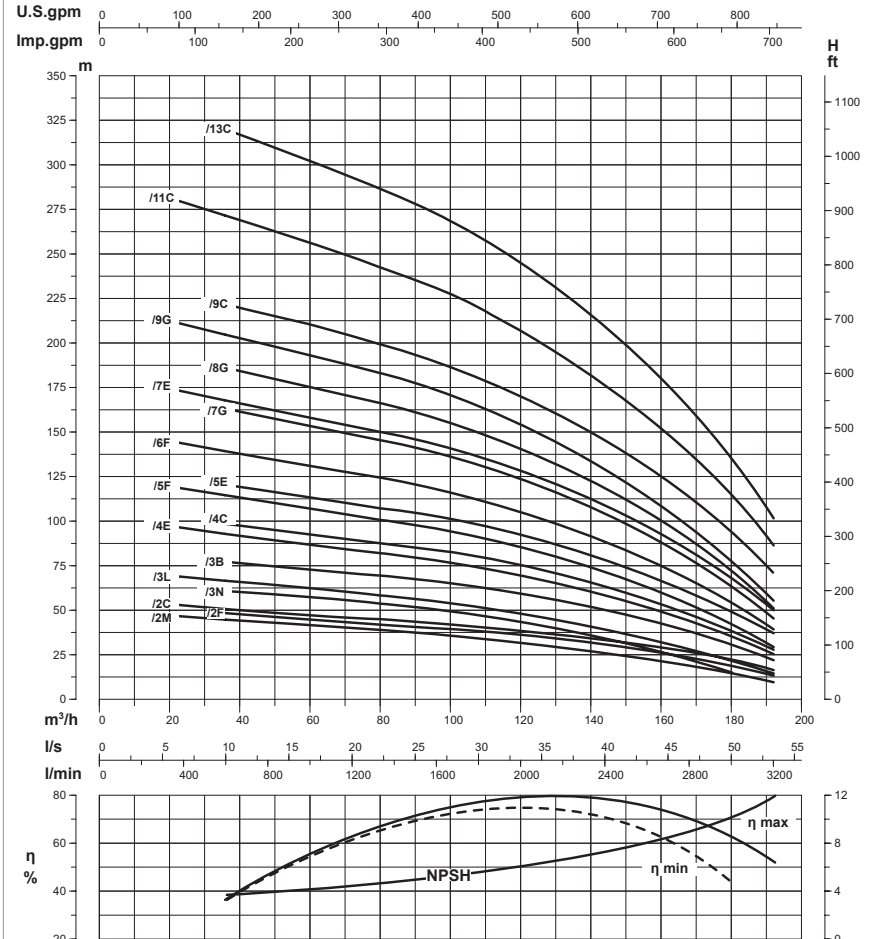
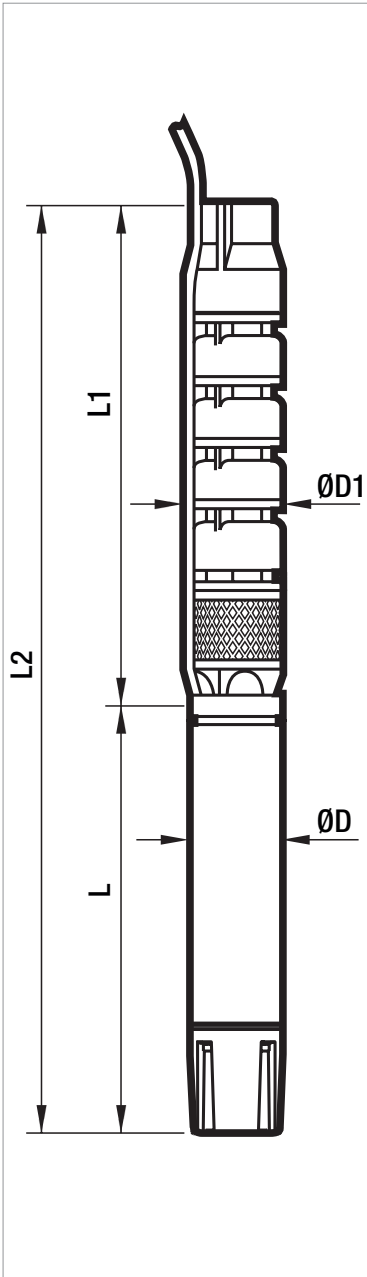
\*\* For the weight of the version in AISI 316, refer to the page of the motor concerned or contact our sales network.

●	Permitted
○	Only version PE2 + PA
△	Contact our sales network



# SMC8 135 - SMN8 135

8" SUBMERSIBLE ELECTRIC PUMPS



Performance at 50 Hz 2 poles. The performance curves are based on kinematic viscosity values = 1 mm<sup>2</sup>/s and density equal to 1000 kg/m<sup>3</sup>. Curve tolerance according to ISO 9906.

# SMC10 - SMN10

## 10" SUBMERSIBLE ELECTRIC PUMPS



### TECHNICAL DATA

**Operating range:** up to 400 m<sup>3</sup>/h with head up to 453 m.  
**Pumped liquid:** clean, free of solids and abrasives, chemically neutral, with properties similar to water.  
**Start-ups/hour:** see the coupled motor  
**Cooling flow:** see the coupled motor  
**Maximum permitted amount of sand:** 40 g/m<sup>3</sup>  
**Ambient temperature:** 30 °C  
**Minimum recommended level on suction line:** 2 m  
**Installation:** horizontal or vertical

### APPLICATIONS

Multistage semiaxial submersible electric pumps for wells measuring 10" or above, able to generate a broad range of flow rates and heads. They are used extensively for the lifting, distribution and pressurisation of industrial water systems, the supply of pressure vessels and tanks, firefighting systems and irrigation systems.  
 Application with clean, non-aggressive water free from solids or abrasive substances.

### CONSTRUCTION FEATURES OF THE PUMP

#### SMC version:

Cast iron pump body treated with cathoporesis paint coating and dynamically balanced impellers in microcast AISI 304 stainless steel coupled on the shaft with pull tab. Shaft guided with coaxial bush bearings and fully protected with bushes.  
 Pump with check valve of low pressure loss.  
 Flanged delivery port and kit containing counter flange, bolts and gaskets.

#### SMN version:

Pump body and impellers in microcast AISI 316 stainless steel. Dynamically balanced impellers coupled on the shaft with pull tab. Shaft guided with coaxial bush bearings and fully protected with bushes.  
 Pump with check valve of low pressure loss.  
 Flanged delivery port and kit containing counter flange, bolts and gaskets.

Coupling with motors of 6" or 8" depending on the required hydraulic power and available in a standard version with cast iron supports treated with cathoporesis paint coating, and in a version entirely in AISI 316 stainless steel:

6GF/6GX: encapsulated 6" submersible motor

TR6: rewindable 6" submersible motor

TR8: rewindable 8" submersible motor

TR10: rewindable 10" submersible motor

Refer to the technical data sheets of the specific model for the electrical characteristics of the submersible motors and the specifications for operation with inverter.

### ON REQUEST

Motor in AISI 316 stainless steel for use in aggressive water.

Non-standard pump/motor couplings.

Star/Delta starting version.

Motor version for high temperature of water.

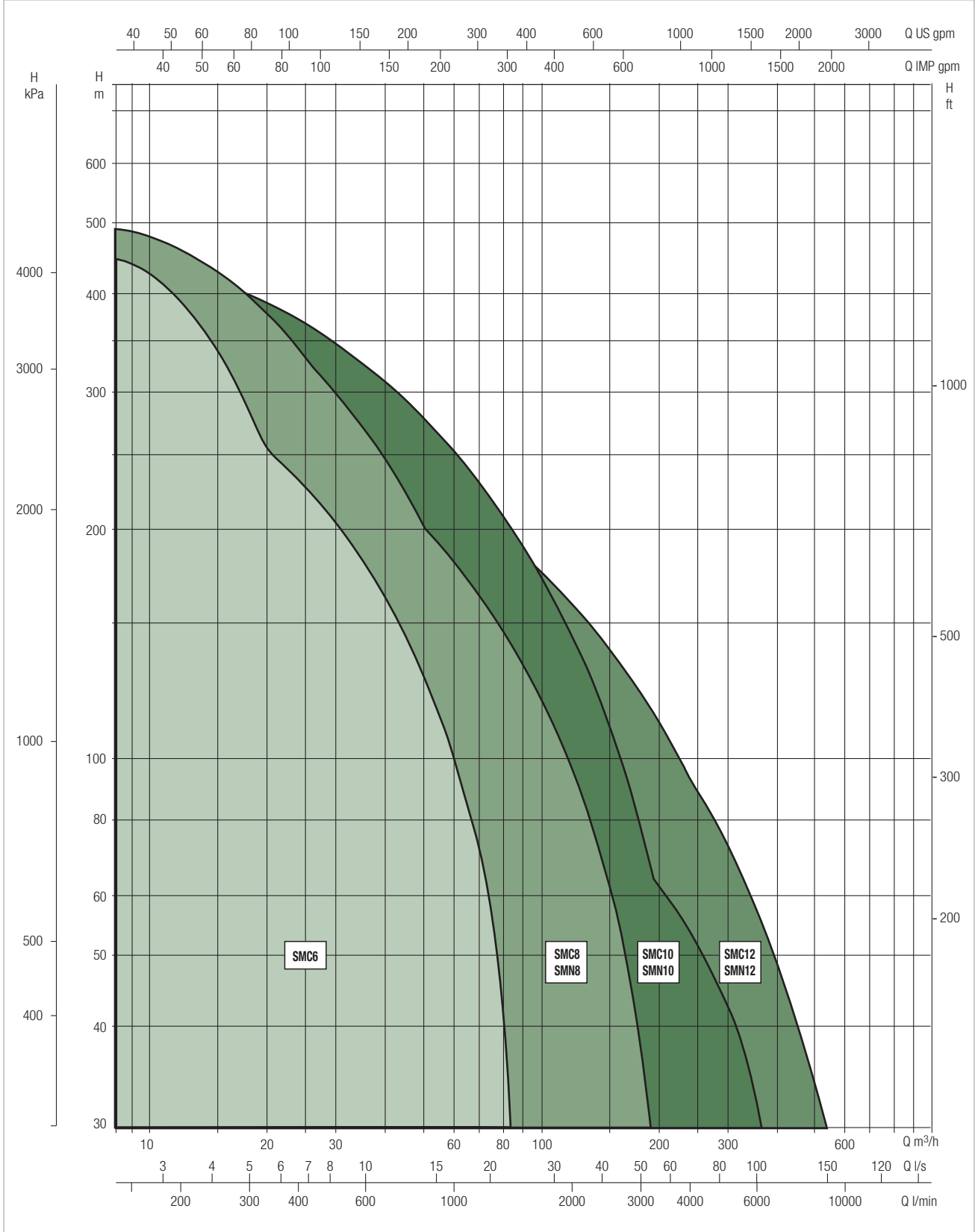
# SMC - SMN

## SUBMERSIBLE ELECTRIC PUMPS

### PERFORMANCE RANGE

The performance curves are based on kinematic viscosity values = 1 mm<sup>2</sup>/s and density equal to 1000 kg/m<sup>3</sup>. Curve tolerance according to ISO 9906.

### GRAPHIC SELECTION TABLE

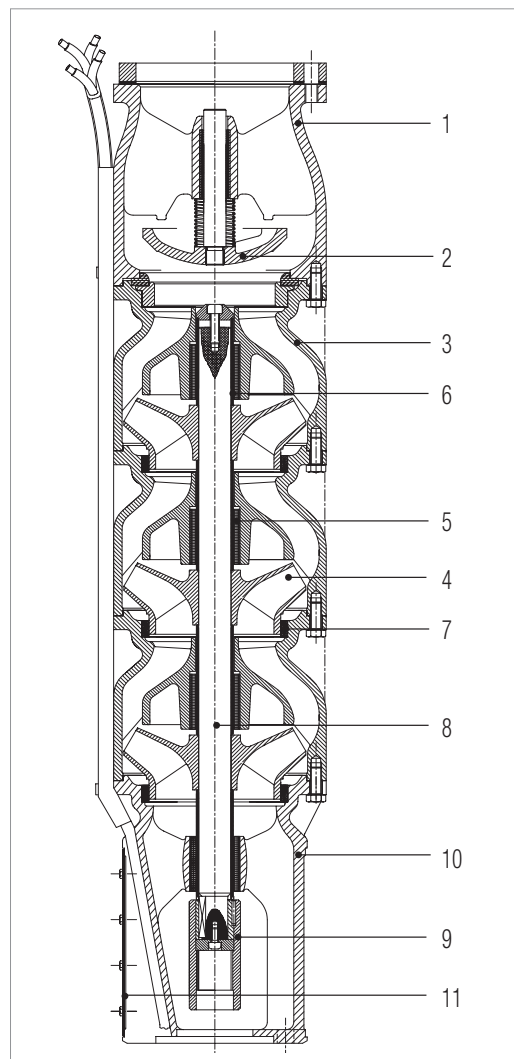


# SMC10 - SMN10

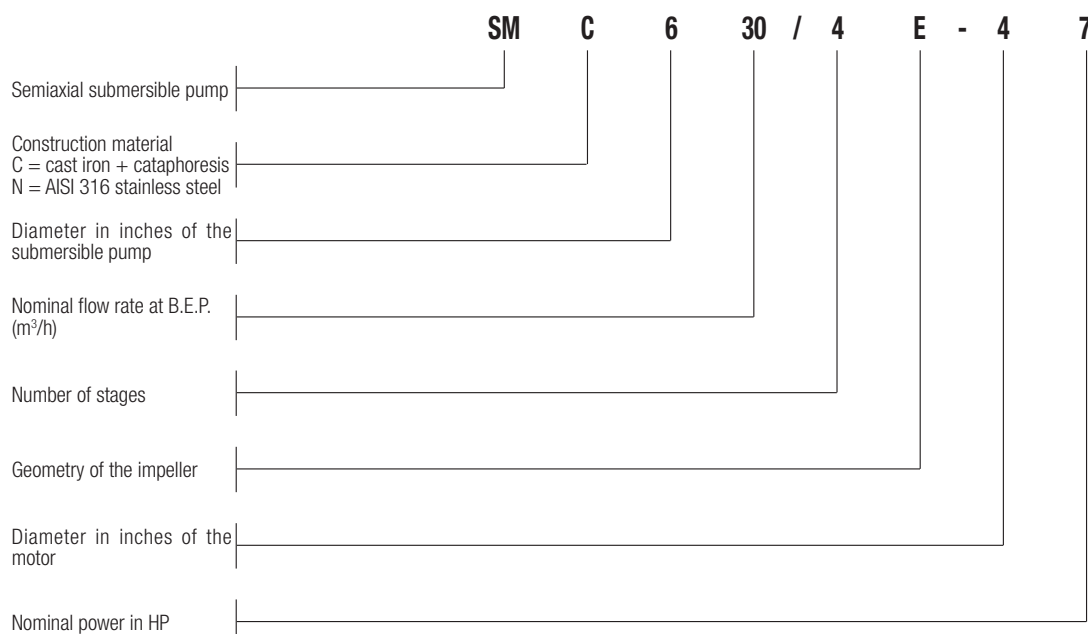
## 10" SUBMERSIBLE ELECTRIC PUMPS

### MATERIALS

N.	PARTS	MATERIALS- SMC	MATERIALS- SMN
1	DELIVERY BODY	CAST IRON + CATAPHORESIS	AISI 316 STAINLESS STEEL
2	NON-RETURN VALVE	CAST IRON + CATAPHORESIS	AISI 316 STAINLESS STEEL
3	DIFFUSER	CAST IRON + CATAPHORESIS	AISI 316 STAINLESS STEEL
4	IMPELLER	AISI 304 STAINLESS STEEL	AISI 316 STAINLESS STEEL
5	GUIDE BEARING	RUBBER	VITON
6	BUSH	CHROME-PLATED BRASS	AISI 316 STAINLESS STEEL
7	WEAR RING	RUBBER	POM
8	PUMP SHAFT	STAINLESS STEEL	AISI 329 DUPLEX STAINLESS STEEL
9	PIPE	STAINLESS STEEL	AISI 329 DUPLEX STAINLESS STEEL
10	SUCTION BODY	CAST IRON + CATAPHORESIS	AISI 316 STAINLESS STEEL
11	FILTER GRID	STAINLESS STEEL	AISI 316 STAINLESS STEEL



**- Legend:**  
(example)



# SMC10 200 - SMN10 200

10" SUBMERSIBLE ELECTRIC PUMPS

## PERFORMANCE AT 50 Hz - 2 POLES

MODEL	ELECTRICAL DATA		Q=m³h Q=l/min	HYDRAULIC DATA												COUPLING STANDARD MOTOR
	P2 NOMINAL			0	60	84	108	132	150	168	180	192	210	234	258	
	kW	HP		0	1000	1400	1800	2200	2500	2800	3000	3200	3500	3900	4300	
200/1M-615	11	15	H (m)	32	25,5	24	22	20,5	19	17,5	16,5	15	12,5	9		6"
200/1L-617	13	17,5		35,5	29	27	25,5	24	22,5	21	19,5	18	15,5	11,5	6,5	6"
200/1H-620	15	20		40	33	30,5	29	27	25,5	24	23	21,5	19	16	12	6"
200/1G-625	18,5	25		41	34	32	30	28	26,5	25	24	22,5	20	17	13	6"
200/1C-625	18,5	25		45	37	34,5	32,5	30,5	29	27,5	26	24,5	22	18,5	14	6"
200/1A-630	22	30		48	39	36,5	34,5	32,5	31,5	29,5	28,5	27	24	19,5	14	6"
200/2M-630	22	30		64	51,5	48	44,5	41	38,5	35,5	33	30	25,5	17,5		6"
200/2L-635	26	35		70,5	58,5	55	52	48,5	46	43	40,5	37,5	32,5	24	14,5	6"
200/2H-640	30	40		79,5	66	62	58,5	55	52	48,5	46	43	38	30	20,5	6"
200/2G-650	37	50		84	70,5	66,5	62,5	59	56	52,5	50	47	41,5	34	25	6"
200/2E-650	37	50		90	77	72	68	64	61	58	56	53	48	40,5	31	6"
200/2B-860	45	60		94,5	80	75,5	71,5	67,5	64,5	61	59	55,5	50,5	43	34,5	8"
200/3H-860	45	60		117	99	93,5	89	84	80	75,5	72	67,5	59,5	47,5	33	8"
200/3G-875	55	75		130	110	104	98,5	93	88,5	84	80	75,5	67,5	56	42	8"
200/3E-875	55	75		137	116,5	110	104,5	99	94,5	90	86,5	81,5	73,5	62,5	48,5	8"
200/3B-885	63	85		143	122	115,5	109,5	104	99,5	94,5	91,5	86,5	78,5	67,5	54	8"
200/4G-8100	75	100		168,5	142,5	134,5	128	121	115	108,5	104	97,5	86,5	70,5	51	8"
200/4D-8100	75	100		183,5	156	148	141	133,5	128	121,5	117	110,5	100	84	65,5	8"
200/5I-8100	75	100		200	169	159,5	151,5	142,5	135,5	127,5	121,5	113,5	100,5	80	56,5	8"
200/5F-8125	92	125		224	192	180,5	171,5	163	157	150	144,5	137	124	104	80	8"
200/6I-8125	92	125	241	204,5	193,5	184,5	174,5	166,5	156,5	149,5	140	124	99	69	8"	
200/6F-8150	110	150	269	230	216,5	205,5	195,5	188,5	180	173	164	149	124,5	96	8"	
200/7H-8150	110	150	283	241,5	227,5	216,5	205,5	197	186,5	178,5	167	147,5	118	83	8"	
200/7E-10180	132	180	319	271	256,5	244	231,5	222	211	203	192,5	174	148	116,5	10"	
200/8D-10200	147	200	366,5	314	296,5	281	267	256,5	245	236,5	224,5	203,5	172,5	135,5	10"	
200/9D-10230	170	230	412	353,5	332,5	316	300,5	288,5	275,5	266	252,5	229	194	152,5	10"	
200/10E-10260	190	260	453	388	365	347	330	317	302	291,5	276,5	250	211	165	10"	

# SMC10 200 - SMN10 200

10" SUBMERSIBLE ELECTRIC PUMPS

## ELECTRICAL DATA AND DIMENSIONS

MODEL	MOTOR *	ELECTRICAL DATA			OPERATION WITH INVERTER	HORIZONTAL INSTALLATION	L2 mm	L mm	L1 mm	D mm	D1 mm	DN	WEIGHT SMC kg	WEIGHT SMN kg	MOTOR WEIGHT ** kg
		P2 NOMINAL		In A											
		kW	HP												
200/1M-615	6GF	11	15	25,5	●	●	1417	730	687	141	247	6"	66	53	54,5
	TR6	11	15	25	○	●	1584	897		144			66	53	60
200/1L-617	6GF	15	20	33,4	●	●	1472	785	687	141	247	6"	66	53	60,4
	TR6	13	17,5	29	○	●	1614	927		144			66	53	65
200/1H-620	6GF	15	20	33,4	●	●	1472	785	687	141	247	6"	66	53	60,4
	TR6	15	20	32	○	●	1684	997		144			66	53	77
200/1G-625	6GF	18,5	25	41	●	●	1547	860	687	141	247	6"	66	53	68
	TR6	18,5	25	39	○	●	1744	1057		144			66	53	83
200/1C-625	6GF	18,5	25	41	●	●	1547	860	687	141	247	6"	66	53	68
	TR6	18,5	25	39	○	●	1744	1057		144			66	53	83
200/1A-630	6GF	22	30	47	●	●	1607	920	687	141	247	6"	66	53	74,2
	TR6	22	30	49	○	●	1774	1087		144			66	53	95
200/2M-630	6GF	22	30	47	●	●	1767	920	847	141	247	6"	92	76	74,2
	TR6	22	30	49	○	●	1934	1087		144			92	76	95
200/2L-635	6GF	30	40	61,5	●	●	1897	1050	847	141	247	6"	92	76	88,5
	TR6	26	35	58	○	●	2004	1157		144			92	76	105
200/2H-640	6GF	30	40	61,5	●	●	1897	1050	847	141	247	6"	92	76	88,5
	TR6	30	40	65	○	●	2059	1212		144			92	76	110
200/2G-650	6GF	37	50	79,3	●	●	2047	1180	867	141	249	6"	92	76	100
	TR6	37	50	80	○	●	2179	1312		144			92	76	120
200/2E-650	6GF	37	50	79,3	●	●	2047	1180	867	141	249	6"	92	76	100
	TR6	37	50	80	○	●	2179	1312		144			92	76	120
200/2B-860	TR8	45	60	92	○	●	2137	1270	867	192	249	6"	92	76	177
200/3H-860	TR8	45	60	92	○	●	2317	1270	1047	192	249	6"	118	98	177
200/3G-875	TR8	55	75	109	○	●	2397	1350	1047	192	249	6"	118	98	192
200/3E-875	TR8	55	75	109	○	●	2397	1350	1047	192	249	6"	118	98	192
200/3B-885	TR8	63	85	126	○	●	2537	1490	1047	192	249	6"	118	98	218
200/4G-8100	TR8	75	100	145	○	●	2817	1590	1227	192	249	6"	162	121	237
200/4D-8100	TR8	75	100	145	○	●	2817	1590	1227	192	249	6"	162	121	237
200/5I-8100	TR8	75	100	145	○	●	2997	1590	1407	192	249	6"	187	144	237
200/5F-8125	TR8	92	125	177	○	●	3413	1830	1583	192	249	6"	187	144	283
200/6I-8125	TR8	92	125	177	○	●	3585	1830	1755	192	249	6"	213	167	283
200/6F-8150	TR8	110	150	213	○	●	3731	2060	1671	192	249	6"	213	167	333
200/7H-8150	TR8	110	150	213	○	●	3911	2060	1851	192	249	6"	239	190	333
200/7E-10180	TR10	132	180	257	○	●	3721	1870	1851	237	249	6"	239	190	435
200/8D-10200	TR10	147	200	300	○	●	4101	2070	2031	237	249	6"	264	213	500
200/9D-10230	TR10	170	230	348	○	●	4431	2220	2211	237	249	6"	290	235	540
200/10E-10260	TR10	190	260	405	○	●	4791	2400	2391	237	249	6"	316	259	580

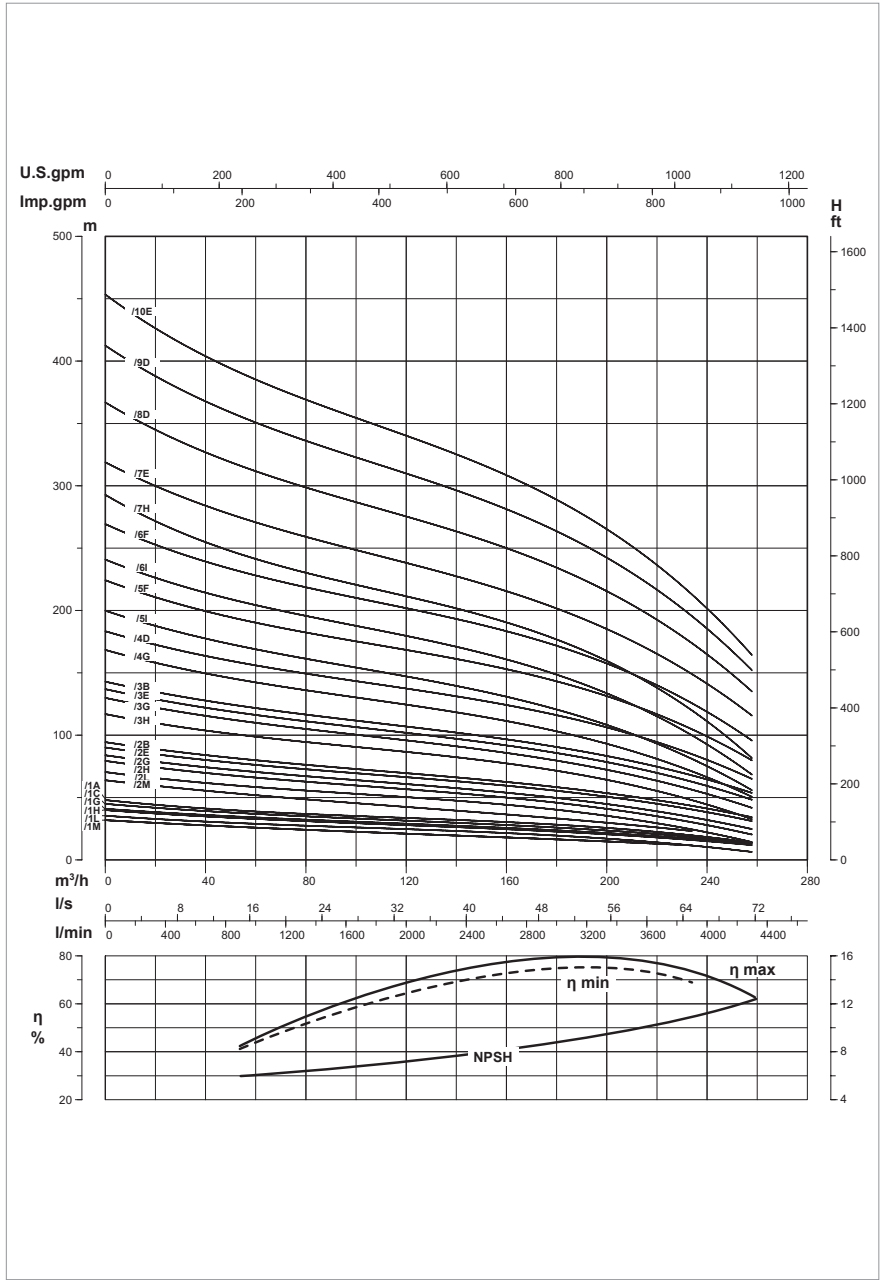
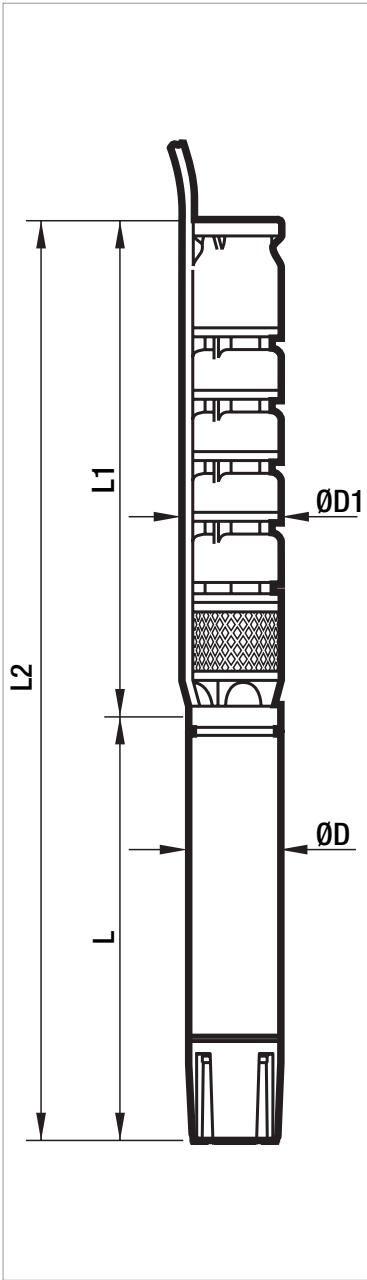
\* 6GF MOTOR: 6" encapsulated in water bath.  
TR MOTOR: 6" - 12" rewindable in water bath.

\*\* For the weight of the version in AISI 316, refer to the page of the motor concerned or contact our sales network.

●	Permitted
○	Only version PE2 + PA
▲	Contact our sales network

# SMC10 200 - SMN10 200

10" SUBMERSIBLE ELECTRIC PUMPS



# SMC10 320 - SMN10 320

10" SUBMERSIBLE ELECTRIC PUMPS

## PERFORMANCE AT 50 Hz - 2 POLES

MODEL	ELECTRICAL DATA		Q=m <sup>3</sup> /h Q=l/min	HYDRAULIC DATA												COUPLING STANDARD MOTOR
	P2 NOMINAL			0	120	150	180	210	240	270	300	330	360	390	420	
	kW	HP		0	2000	2500	3000	3500	4000	4500	5000	5500	6000	6500	7000	
320/10-630	22	30	H (m)	34	27,5	26,5	25,5	24,5	23,5	22	20	16,5	12,5			6"
320/1M-635	26	35		36	29,5	28,5	27,5	27	26	25	22,5	19,5	16	12,5		6"
320/1F-640	30	40		40	32,5	31	30	29,5	28,5	27,5	26	23	19,5	15,5	10,5	6"
320/1D-650	37	50		43,5	34,5	33	32	31,5	31	30,5	29	26	22,5	18,5	14	6"
320/1B-650	37	50		46	37	35	34,5	33,5	33	32,5	31	28,5	25	21	16,5	6"
320/2P-860	45	60		62	52	50,5	49	47	44	40,5	35,5	29	22			8"
320/2N-860	45	60		67,5	57,5	55,5	53,5	51,5	49	45,5	41,5	36	29,5	22,5	14	8"
320/2M-875	55	75		71	61	59	57,5	55,5	53,5	50,5	46,5	41	34	27	19,5	8"
320/2H-875	55	75		72	64	61,5	60	58,5	56,5	54	50,5	45,5	38,5	31	21	8"
320/2D-885	63	85		77	67	65	63,5	62	60,5	58	54,5	49,5	43	35,5	27	8"
320/3I-8100	75	100		106	93,5	90,5	88	85,5	82	77,5	71,5	63	53,5	42,5	31,5	8"
320/3C-8125	92	125		117,5	104,5	102	99	96	94	91	86	79,5	70	57	41	8"
320/4G-8150	110	150		150	134,5	130	126,5	123	119	113,5	106,5	96,5	84,5	71	56	8"
320/4B-10180	132	180		162	147	142,5	138,5	135	130,5	125,5	118,5	108,5	96,5	84,5	69,5	10"
320/5L-10180	132	180		181	162	157	152,5	148	142,5	136	127	114,5	99	81,5	63	10"
320/5E-10200	150	200		196	177,5	172	167	162,5	157	150,5	141,5	129	114,5	98	79,5	10"
320/6G-10230	170	230		225	201,5	195,5	190	184,5	178	170	160	145	127	106	83,5	10"
320/7L-10260	190	260	253,5	227	219,5	213,5	207	199,5	190	178	160	138,5	114,5	88,5	10"	



# SMC10 320 - SMN10 320

10" SUBMERSIBLE ELECTRIC PUMPS

## ELECTRICAL DATA AND DIMENSIONS

MODEL	MOTOR *	ELECTRICAL DATA			OPERATION WITH INVERTER	HORIZONTAL INSTALLATION	L2 mm	L mm	L1 mm	D mm	D1 mm	DN	WEIGHT SMC kg	WEIGHT SMN kg	MOTOR WEIGHT ** kg
		P2 NOMINAL		In A											
		kW	HP												
320/10-630	6GF	22	30	47	●	●	1623	920	703	141	247	6"	64,5	49	74
	TR6	22	30	49	○	●	1790	1087		144			64,5	49	95
320/1M-635	6GF	30	40	61,5	●	●	1753	1050	703	141	247	6"	64,5	49	89
	TR6	26	35	58	○	●	1860	1157		144			64,5	49	105
320/1F-640	6GF	30	40	61,5	●	●	1753	1050	703	141	247	6"	64,5	49	89
	TR6	30	40	65	○	●	1915	1212		144			64,5	49	110
320/1D-650	6GF	37	50	79,3	●	●	1883	1180	703	141	247	6"	64,5	49	100
	TR6	37	50	80	○	●	2015	1312		144			64,5	49	120
320/1B-650	6GF	37	50	79,3	●	●	1883	1180	703	141	249	6"	65,5	49	100
	TR6	37	50	80	○	●	2015	1312		144			65,5	49	120
320/2P-860	TR8	45	60	92	○	●	2168	1270	898	192	249	6"	91	68	177
320/2N-860	TR8	45	60	92	○	●	2168	1270	898	192	249	6"	91	68	177
320/2M-875	TR8	55	75	109	○	●	2248	1350	898	192	249	6"	91	68	192
320/2H-875	TR8	55	75	109	○	●	2248	1350	898	192	249	6"	91	68	192
320/2D-885	TR8	63	85	126	○	●	2388	1490	898	192	249	6"	91	68	218
320/3I-8100	TR8	75	100	145	○	●	2767	1590	1177	192	249	6"	116	88	237
320/3C-8125	TR8	92	125	177	○	●	3007	1830	1177	192	249	6"	116	88	283
320/4G-8150	TR8	110	150	213	○	●	3432	2060	1372	192	249	6"	160	117	333
320/4B-10180	TR10	132	180	257	○	●	3242	1870	1372	232	249	6"	160	117	435
320/5L-10180	TR10	132	180	257	○	●	3438	1870	1568	232	249	6"	185,5	137	435
320/5E-10200	TR10	150	200	300	○	●	3638	2070	1568	232	249	6"	185,5	137	500
320/6G-10230	TR10	170	230	348	○	●	3983	2220	1763	232	249	6"	211	157	540
320/7L-10260	TR10	190	260	405	○	●	4359	2400	1959	232	249	6"	236,5	177	580

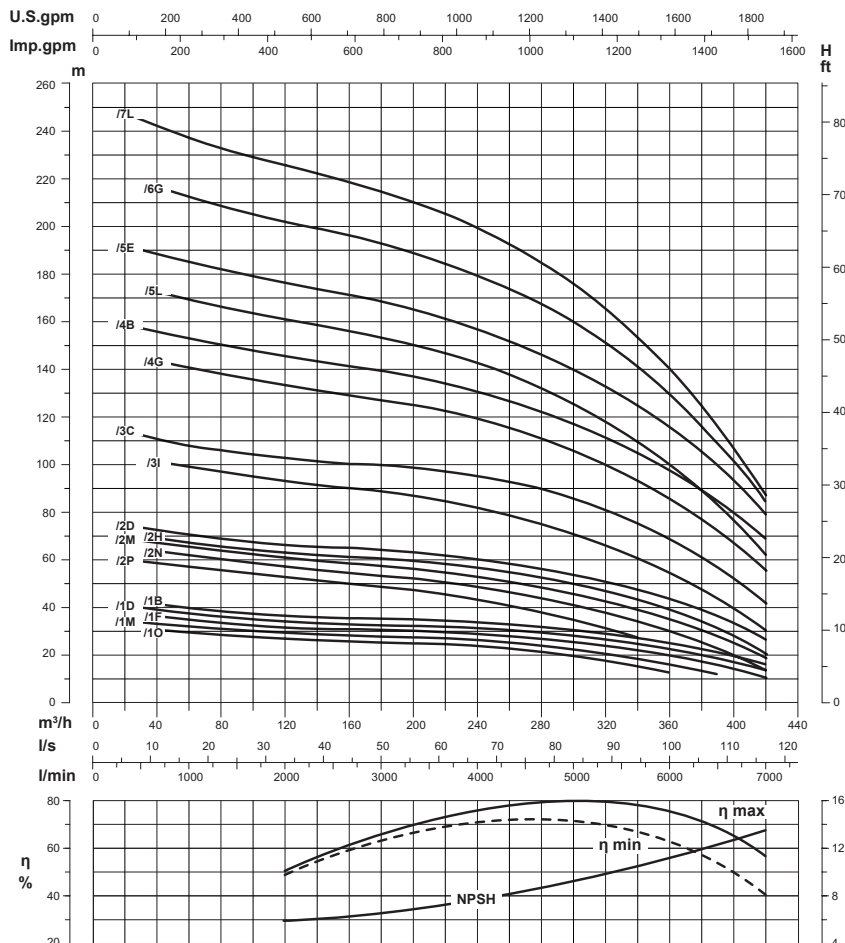
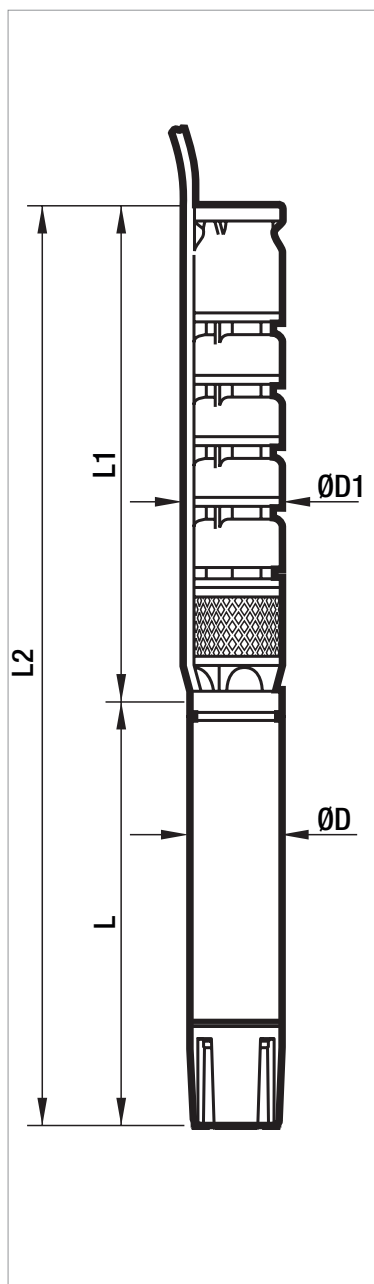
\* 6GF MOTOR: 6" encapsulated in water bath.  
TR MOTOR: 6" - 12" rewindable in water bath.

\*\* For the weight of the version in AISI 316, refer to the page of the motor concerned or contact our sales network.

●	Permitted
○	Only version PE2 + PA
⚠	Contact our sales network

# SMC10 320 - SMN10 320

10" SUBMERSIBLE ELECTRIC PUMPS



Performance at 50 Hz 2 poles. The performance curves are based on kinematic viscosity values = 1 mm<sup>2</sup>/s and density equal to 1000 kg/m<sup>3</sup>. Curve tolerance according to ISO 9906.

# SMC12 - SMN12

## 12" SUBMERSIBLE ELECTRIC PUMPS



### TECHNICAL DATA

**Operating range:** up to 540 m<sup>3</sup>/h with head up to 320 m.

**Pumped liquid:** clean, free of solids and abrasives, chemically neutral, with properties similar to water.

**Start-ups/hour:** see the coupled motor

**Cooling flow:** see the coupled motor

**Maximum permitted amount of sand:** 40 g/m<sup>3</sup>

**Ambient temperature:** 30 °C

**Minimum recommended level on suction line:** 2.5 m

**Installation:** horizontal or vertical

### APPLICATIONS

Multistage semiaxial submersible electric pumps for wells measuring 12" or above, able to generate a broad range of flow rates and heads.

They are used extensively for the lifting, distribution and pressurisation of industrial water systems, the supply of pressure vessels and tanks, firefighting systems and irrigation systems.

Application with clean, non-aggressive water free from solids or abrasive substances.

### CONSTRUCTION FEATURES OF THE PUMP

#### SMC version:

Cast iron pump body treated with cathoporesis paint coating and dynamically balanced impellers in microcast AISI 304 stainless steel coupled on the shaft with pull tab. Shaft guided with coaxial bush bearings and fully protected with bushes.

Pump with check valve of low pressure loss.

Flanged delivery port and kit containing counter flange, bolts and gaskets.

#### SMN version:

Pump body and impellers in microcast AISI 316 stainless steel. Dynamically balanced impellers coupled on the shaft with pull tab. Shaft guided with coaxial bush bearings and fully protected with bushes.

Pump with check valve of low pressure loss.

Flanged delivery port and kit containing counter flange, bolts and gaskets.

Coupling with motors of 6" or 8" depending on the required hydraulic power and available in a standard version with cast iron supports treated with cathoporesis paint coating, and in a version entirely in AISI 316 stainless steel:

6GF/6GX: encapsulated 6" submersible motor

TR6: rewindable 6" submersible motor

TR8: rewindable 8" submersible motor

TR10: rewindable 10" submersible motor

TR12: rewindable 12" submersible motor

Refer to the technical data sheets of the specific model for the electrical characteristics of the submersible motors and the specifications for operation with inverter.

### ON REQUEST

Motor in AISI 316 stainless steel for use in aggressive water.

Non-standard pump/motor couplings.

Star/Delta starting version.

Motor version for high temperature of water.

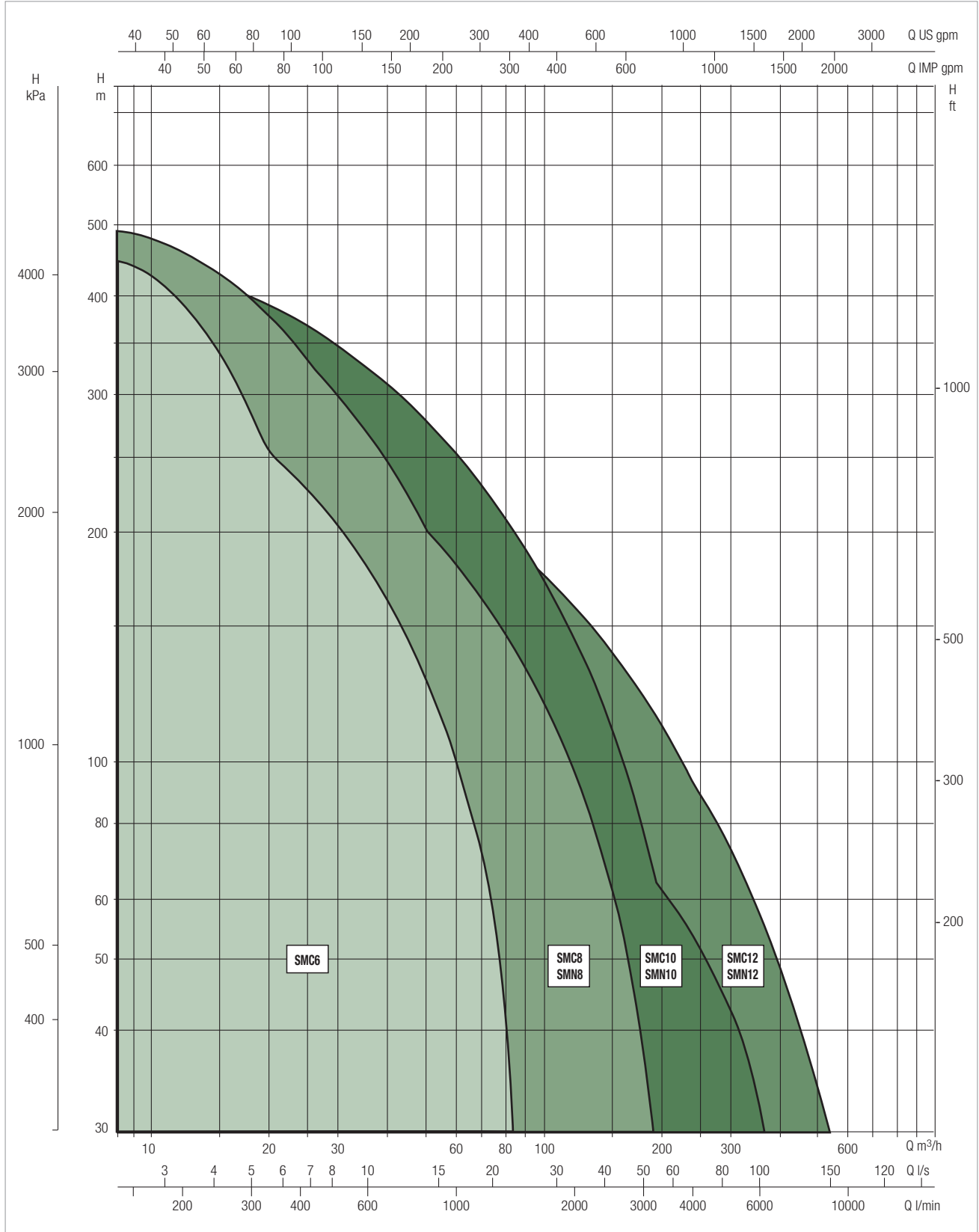
# SMC - SMN

## SUBMERSIBLE ELECTRIC PUMPS

### PERFORMANCE RANGE

The performance curves are based on kinematic viscosity values = 1 mm<sup>2</sup>/s and density equal to 1000 kg/m<sup>3</sup>. Curve tolerance according to ISO 9906.

### GRAPHIC SELECTION TABLE

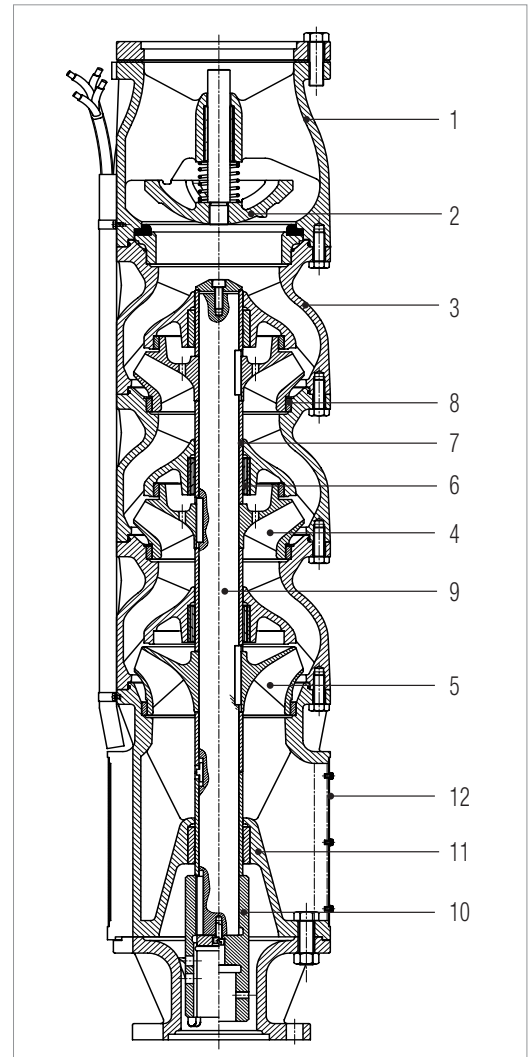


# SMC12 - SMN12

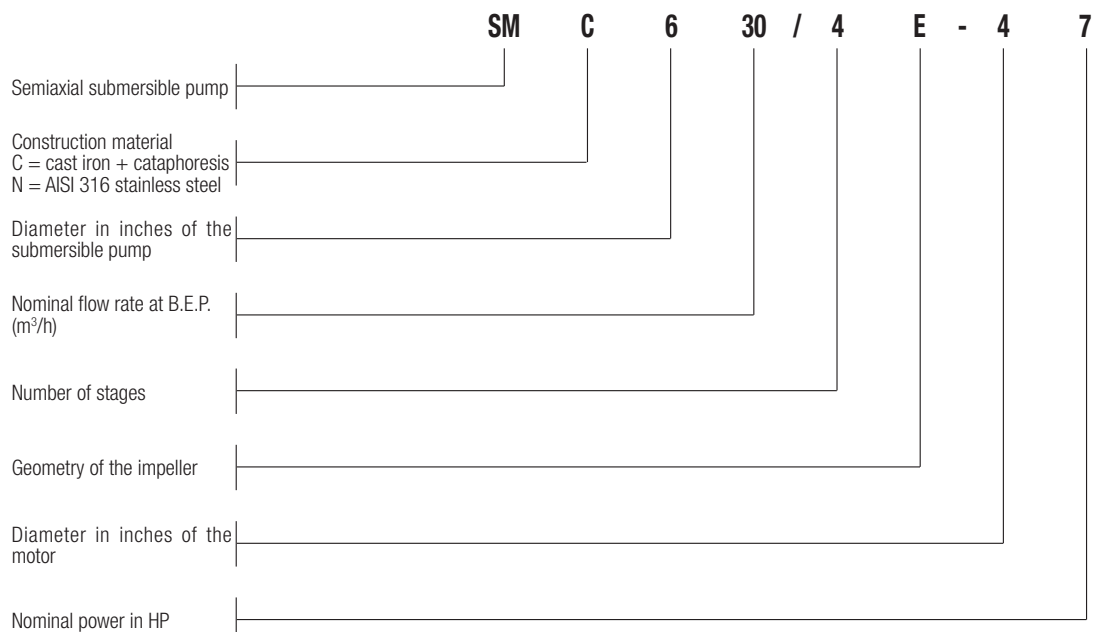
## 12" SUBMERSIBLE ELECTRIC PUMPS

### MATERIALS

N.	PARTS	MATERIALS- SMC	MATERIALS- SMN
1	DELIVERY BODY	CAST IRON + CATAPHORESIS	AISI 316 STAINLESS STEEL
2	NON-RETURN VALVE	CAST IRON + CATAPHORESIS	AISI 316 STAINLESS STEEL
3	DIFFUSER	CAST IRON + CATAPHORESIS	AISI 316 STAINLESS STEEL
4	IMPELLER	AISI 316 STAINLESS STEEL	AISI 316 STAINLESS STEEL
5	SUCTION IMPELLER	AISI 316 STAINLESS STEEL	AISI 316 STAINLESS STEEL
6	GUIDE BEARING	RUBBER	VITON
7	BUSH	BRONZE	AISI 316 STAINLESS STEEL
8	WEAR RING	BRONZE	POM
9	PUMP SHAFT	STAINLESS STEEL	AISI 329 DUPLEX STAINLESS STEEL
10	PIPE	STAINLESS STEEL	AISI 329 DUPLEX STAINLESS STEEL
11	SUCTION BODY	CAST IRON + CATAPHORESIS	AISI 316 STAINLESS STEEL
12	FILTER GRID	STAINLESS STEEL	AISI 316 STAINLESS STEEL



**- Legend:**  
(example)



# SMC12 360 - SMN12 360

12" SUBMERSIBLE ELECTRIC PUMPS

## PERFORMANCE AT 50 Hz - 2 POLES

MODEL	ELECTRICAL DATA		HYDRAULIC DATA													COUPLING STANDARD MOTOR	
	P2 NOMINAL		Q=m³/h	0	180	210	240	270	285	300	315	330	360	390	420		450
	kW	HP	Q=l/min	0	3000	3500	4000	4500	4750	5000	5250	5500	6000	6500	7000		7500
360/1A-860	45	60	H (m)	55,5	46	44,5	43	41,5	40,5	39,5	38	36,5	33,5	29,5	25	20	8"
360/1B-875	55	75		63	51	49,5	48	46,5	46	45	44	42,5	39	35,5	31	26	8"
360/1C-8100	75	100		65,5	54,5	53,5	52	50,5	49,5	49	48	46,5	44	40,5	37	33	8"
360/2A-8100	75	100		100,5	85	82,5	79	75	72,5	69,5	66,5	62,5	53,5	43,5	33		8"
360/2B-8125	92	125		117,5	97,5	95	92	88,5	86,5	84	81	77,5	68,5	58,5	47		8"
360/2C-8150	110	150		130,5	107,5	105	102,5	99,5	98	96,5	94,5	91,5	85,5	77,5	68,5	57,5	8"
360/3A-10180	132	180		168,5	139	134	129,5	125	122	119,5	116,5	112	101,5	86,5	65		10"
360/3B-10200	150	200		185	153,5	149	144	139,5	137	134	131	127	117,5	104,5	87	61,5	10"
360/4A-10260	190	260		224,5	193	188	182,5	176	171,5	167	162	155,5	140	122,5	102		10"
360/5A-12300	220	300		295,5	237,5	230	221,5	213,5	207,5	201,5	193	183,5	163,5	138	105		12"
360/5B-12340	250	340	319,5	259	252	244,5	236	231	224,5	217,5	208	187,5	166,5	137,5	100	12"	

## ELECTRICAL DATA AND DIMENSIONS

MODEL	MOTOR *	ELECTRICAL DATA			OPERATION WITH INVERTER	HORIZONTAL INSTALLATION	L2 mm	L mm	L1 mm	D mm	D1 mm	DN	WEIGHT SMC kg	WEIGHT SMN kg	MOTOR WEIGHT ** kg
		P2 NOMINAL		In A											
		kW	HP												
360/1A-860	TR8	45	60	92	○	●	2169	1270	899	192	298	7"	136	99	177
360/1B-875	TR8	55	75	109	○	●	2249	1350	899	192	298	7"	136	99	192
360/1C-8100	TR8	75	100	145	○	●	2489	1590	899	192	298	7"	136	99	237
360/2A-8100	TR8	75	100	145	○	●	2689	1590	1099	192	298	7"	174	129	237
360/2B-8125	TR8	92	125	177	○	●	2929	1830	1099	192	298	7"	174	129	283
360/2C-8150	TR8	110	150	213	○	●	3184	2060	1124	192	298	7"	178	129	333
360/3A-10180	TR10	132	180	257	○	●	3194	1870	1324	232	298	7"	217	158	435
360/3B-10200	TR10	150	200	300	○	●	3394	2070	1324	232	298	7"	217	158	500
360/4A-10260	TR10	190	260	405	○	●	3924	2400	1524	232	298	7"	255	188	580
360/5A-12300	TR12	220	300	424	○	△	3834	2110	1724	286	298	7"	294	217	700
360/5B-12340	TR12	250	340	481	○	△	4004	2280	1724	286	298	7"	294	217	775

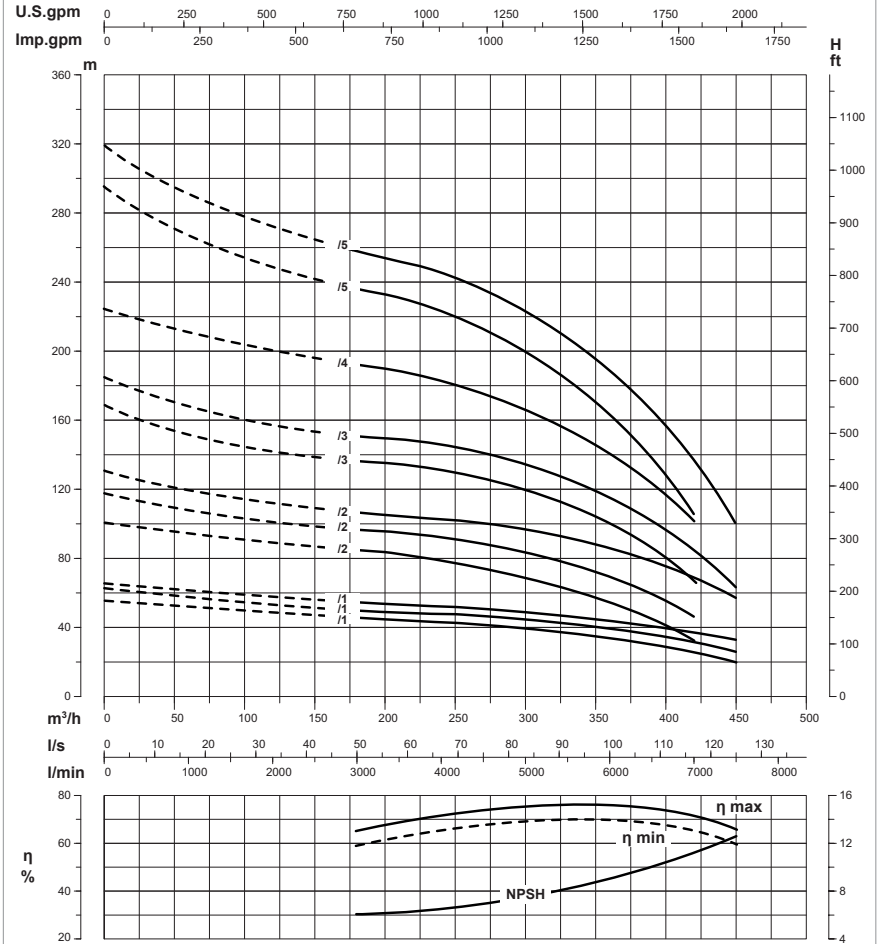
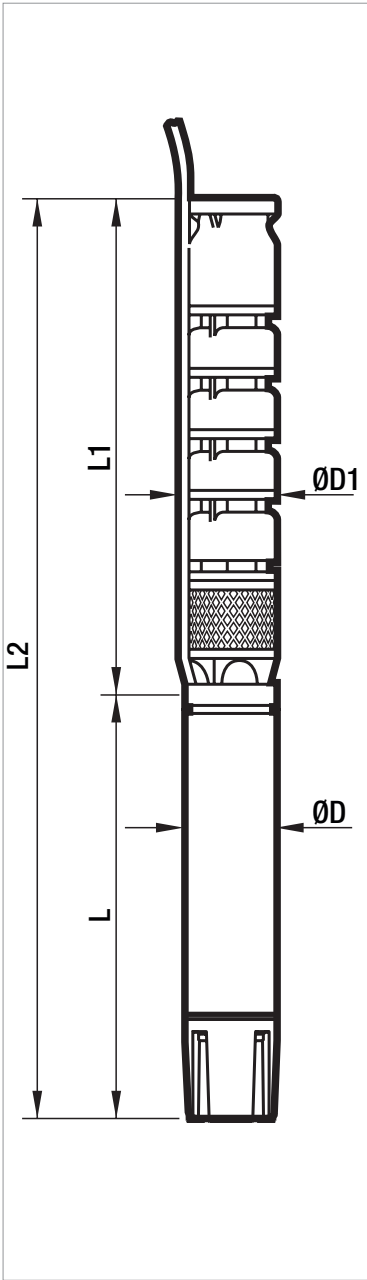
\* 6GF MOTOR: 6" encapsulated in water bath.  
TR MOTOR: 6" - 12" rewindable in water bath.

\*\* For the weight of the version in AISI 316, refer to the page of the motor concerned or contact our sales network.

●	Permitted
○	Only version PE2 + PA
△	Contact our sales network

# SMC12 360 - SMN12 360

12" SUBMERSIBLE ELECTRIC PUMPS



Performance at 50 Hz 2 poles. The performance curves are based on kinematic viscosity values = 1 mm<sup>2</sup>/s and density equal to 1000 kg/m<sup>3</sup>. Curve tolerance according to ISO 9906.

# SMC12 420 - SMN12 420

12" SUBMERSIBLE ELECTRIC PUMPS

## PERFORMANCE AT 50 Hz - 2 POLES

MODEL	ELECTRICAL DATA		HYDRAULIC DATA														COUPLING STANDARD MOTOR
	P2 NOMINAL		Q=m³/h	0	210	240	270	300	330	360	390	420	450	480	510	540	
	kW	HP	Q=l/min	0	3500	4000	4500	5000	5500	6000	6500	7000	7500	8000	8500	9000	
420/1A-860	45	60	H (m)	52	39,5	38	36,5	35	34	32,5	30,5	28,5	26	22,5	19	14	8"
420/1B-875	55	75		58,5	44,5	43	41,5	40	39	38	36,5	35	32,5	30	26,5	22	8"
420/2A-8125	92	125		101,5	80,5	78	75,5	73	70,5	67,5	64,5	60,5	56	51,5	46	40,5	8"
420/2B-8150	110	150		114,5	90,5	88	85,5	83	80,5	77,5	74,5	71	66	61	54	46	8"
420/3A-10180	132	180		134	111	107,5	104	100,5	96,5	92,5	88	82	75,5	68	59,5	50,5	10"
420/3B-10200	150	200		156,5	124	120,5	117	114	110	106,5	102,5	97	90,5	83,5	75,5	66,5	10"
420/4A-10260	190	260		196	154	149,5	145	140,5	135,5	130	124	116,5	107,5	97	85,5	72	10"
420/4B-12300	220	300		221	173,5	169	165	161	156,5	152	147	139,5	131	121,5	110,5	96	12"
420/5A-12340	250	340		260,5	204	198	192,5	187	182	176,5	170,5	162	152	139	121,5	100	12"

## ELECTRICAL DATA AND DIMENSIONS

MODEL	MOTOR *	ELECTRICAL DATA			OPERATION WITH INVERTER	HORIZONTAL INSTALLATION	L2 mm	L mm	L1 mm	D mm	D1 mm	DN	WEIGHT SMC kg	WEIGHT SMN kg	MOTOR WEIGHT ** kg
		P2 NOMINAL		In A											
		kW	HP												
420/1A-860	TR8	45	60	92	○	●	2169	1270	899	192	298	7"	134	96	177
420/1B-875	TR8	55	75	109	○	●	2249	1350	899	192	298	7"	134	96	192
420/2A-8125	TR8	92	125	177	○	●	2929	1830	1099	192	298	7"	170	123	283
420/2B-8150	TR8	110	150	213	○	●	3184	2060	1124	192	298	7"	174	123	333
420/3A-10180	TR10	132	180	257	○	●	3194	1870	1324	237	298	7"	211	149	435
420/3B-10200	TR10	150	200	300	○	●	3394	2070	1324	237	298	7"	211	149	500
420/4A-10260	TR10	190	260	405	○	●	3924	2400	1524	237	298	7"	247	176	580
420/4B-12300	TR12	220	300	424	○	△	3634	2110	1524	286	298	7"	247	176	700
420/5A-12340	TR12	250	340	481	○	△	4004	2280	1724	286	298	7"	284	203	775

\* 6GF MOTOR: 6" encapsulated in water bath.  
TR MOTOR: 6" - 12" rewindable in water bath.

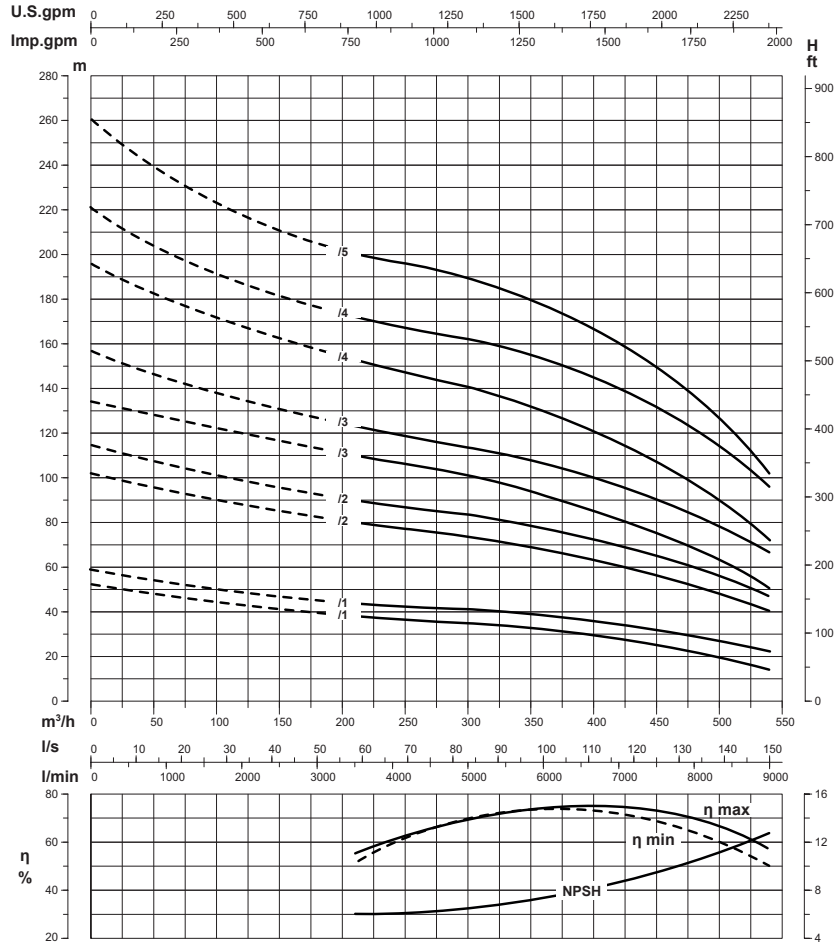
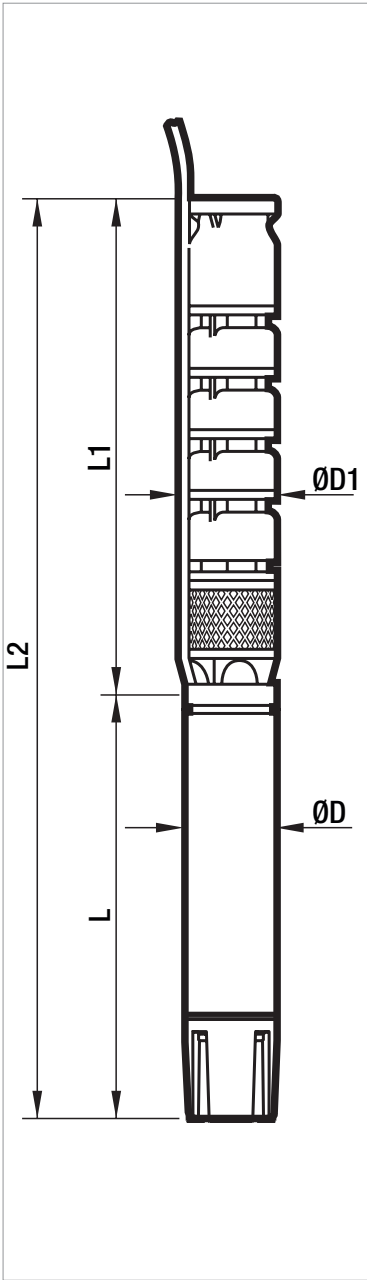
\*\* For the weight of the version in AISI 316, refer to the page of the motor concerned or contact our sales network.

●	Permitted
○	Only version PE2 + PA
△	Contact our sales network



# SMC12 420

## 12" SUBMERSIBLE ELECTRIC PUMPS



Performance at 50 Hz 2 poles. The performance curves are based on kinematic viscosity values = 1 mm<sup>2</sup>/s and density equal to 1000 kg/m<sup>3</sup>. Curve tolerance according to ISO 9906.