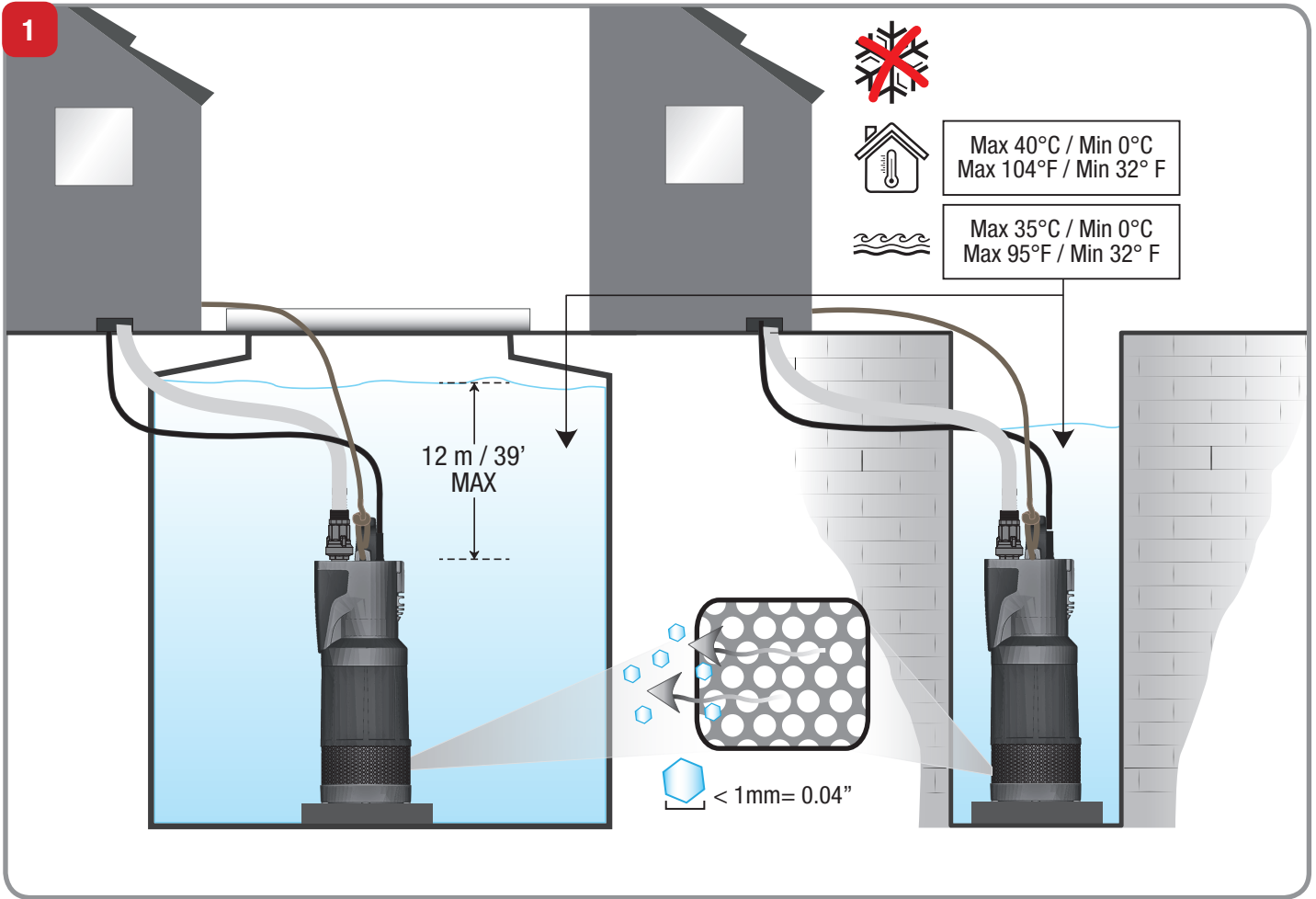


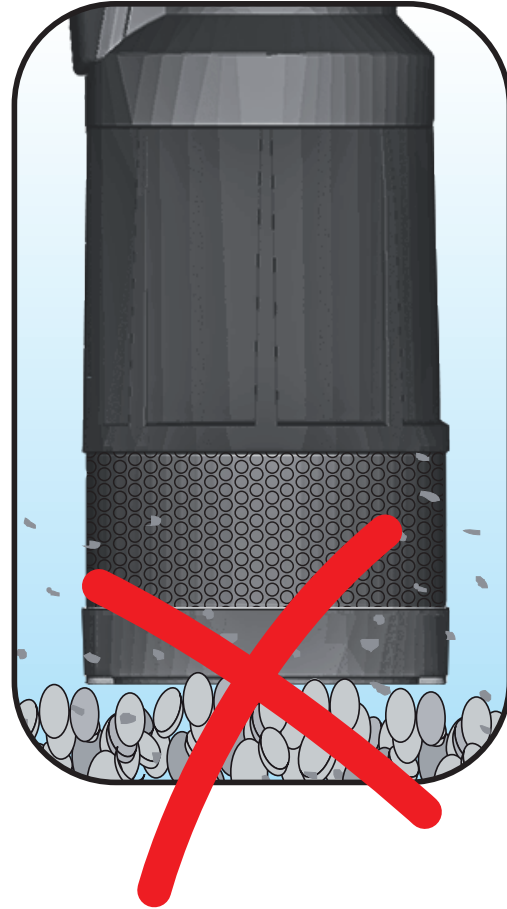
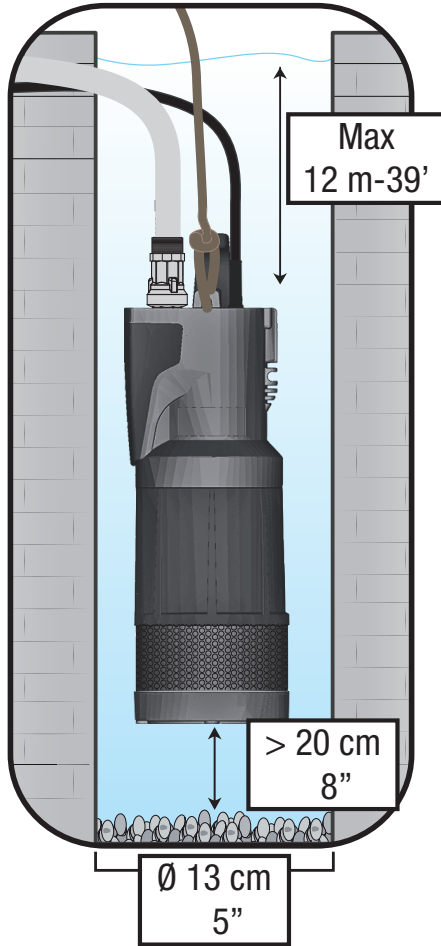
QUICK GUIDE



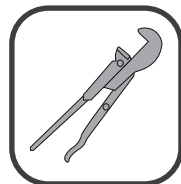
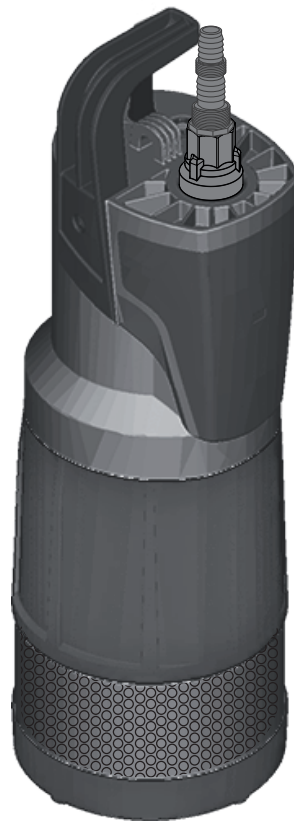
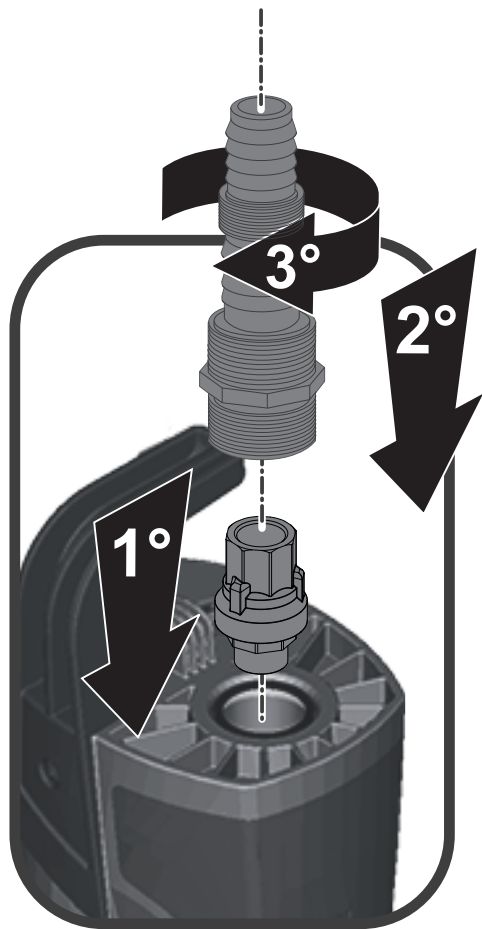
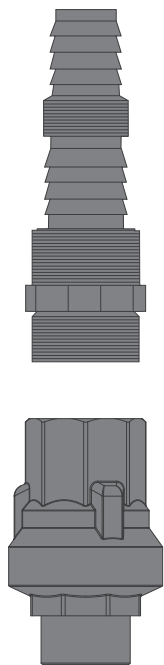
1

1

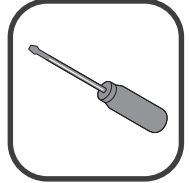
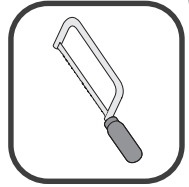
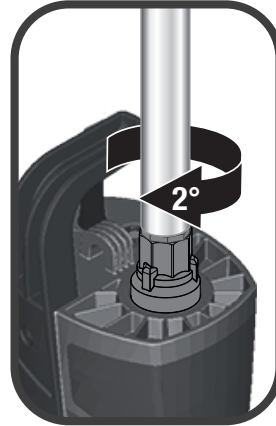
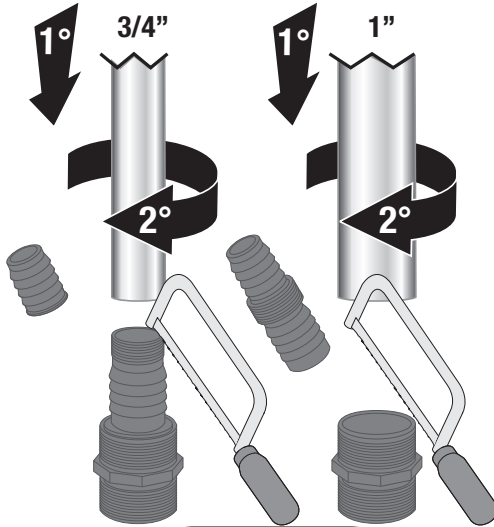
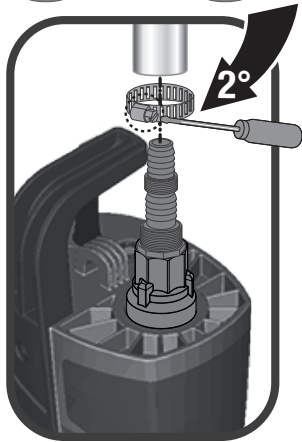
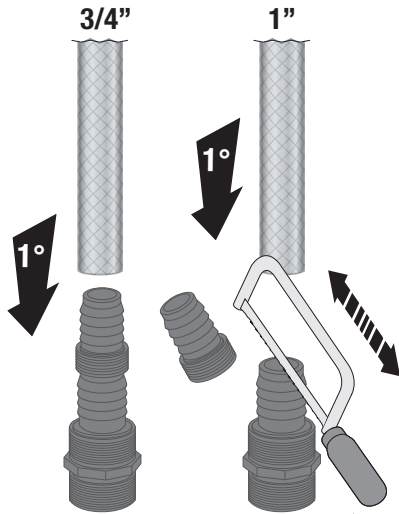
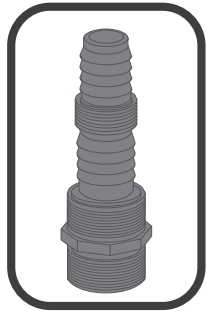


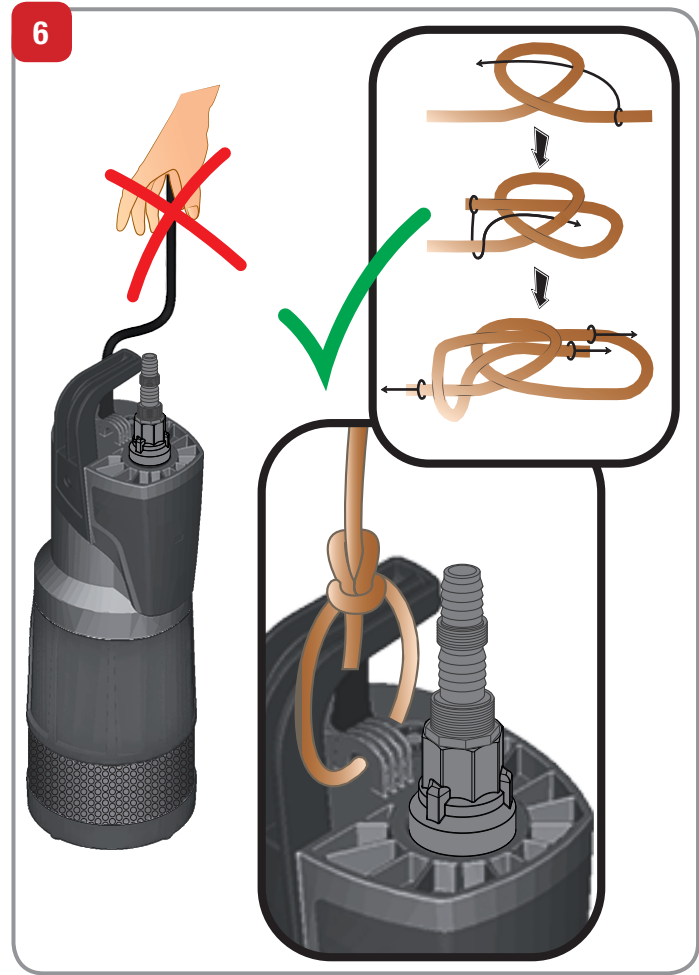
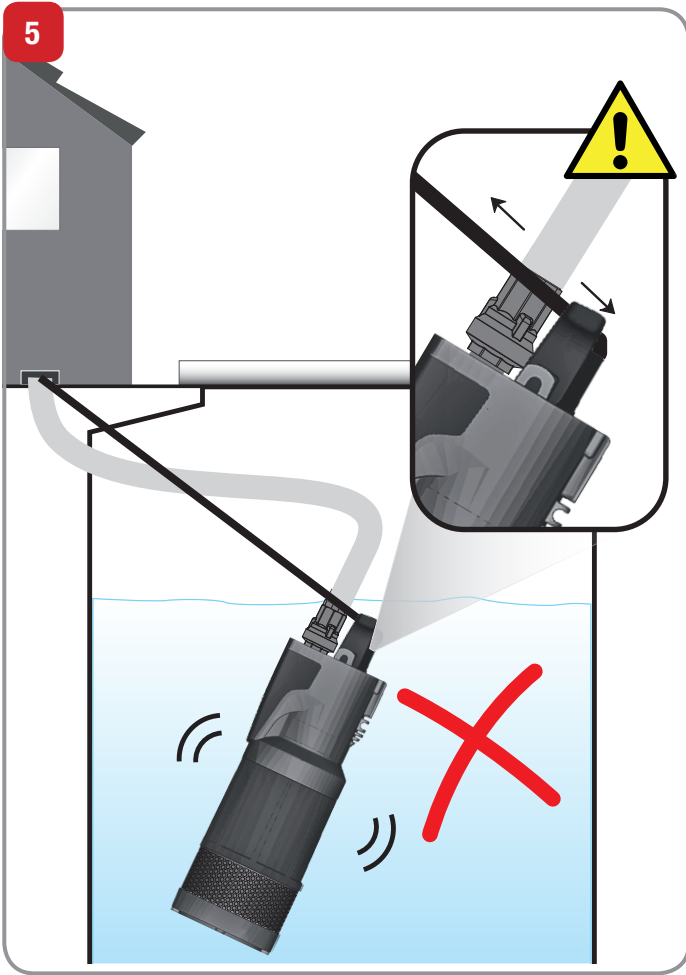


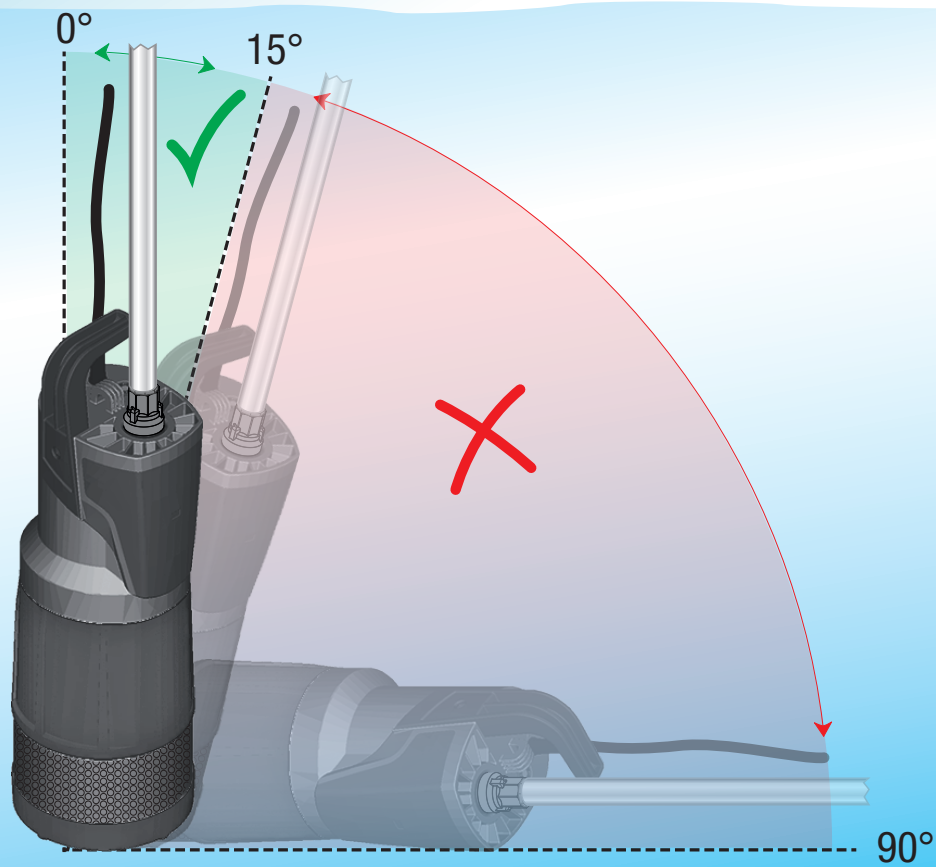
3



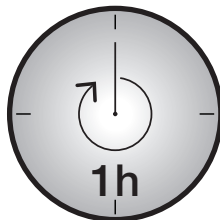
3







MAX 20
START



2-8 l

not included

