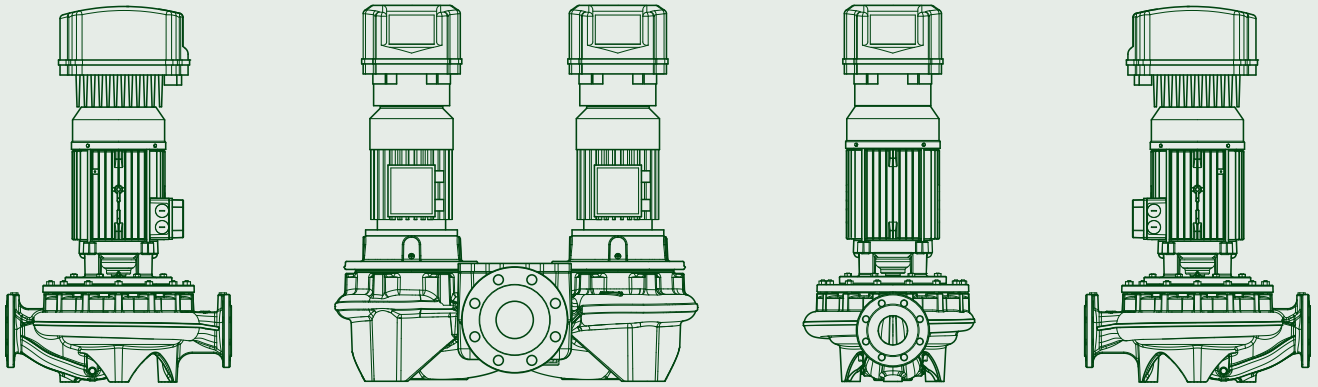


ELECTRONIC IN-LINE PUMPS



**TECHNICAL
CATALOGUE**



THE INTERNATIONAL CERTIFICATION NETWORK

CERTIFICATE

**IQNet and its partners
CISQ/INO-CISQ**
hereby certify that the organization

DWT HOLDING SPA
VIA MARCO POLO 14 - 35035 MESTRINO (PD)
BRENDOLA (VI) - CASTELLO DI GODEGO (TV) - BIENTINA (PI) -
SAN GERMANO DEI BERICI (VI) - PRC CHINA - HUNGARY

for the following field of activities
Design, production, sale and assistance of components and electronic controls for pumps, electropumps, and pump sets for cold and hot water for civil, industrial and agricultural use
Refer to quality manual for details of applications to ISO 9001:2008 requirements

has implemented and maintains a
Quality Management System
which fulfills the requirements of the following standard
ISO 9001:2008
Issued on: 2015 - 05 - 28 Expiry date: 2018 - 05 - 27

Registration Number: **IT - 824**

The status of validity of the certificate can be verified at <http://www.cisq.com> or by e-mail to info@cisq.com




IQNet Partners:
AFNOR Spain AFNOR Certification France AIB-Vinci International Belgium ANCE-SIGE, Abraxo APCER Portugal CCC Cyprus
CISQ Italy CQC China CQM China CQS Czech Republic Cio Cert Croatia DQS Holding GmbH Germany
FCW Brazil FONDORFORMA Venezuela IQNET/IC Colombia IMVU Abraxo Inspection Certification Finland IRAM Argentina
ISA Japan ISQ Korea IRI/ETEC Greece ISCEI Hungary Nordin AS Norway NSAI Ireland PCBC Poland
Quality Asses Austria RR Russia SII Israel SIQ Slovenia SIRIM QAS International Malaysia
SQS Switzerland SRAC Romania TEST St Petersburg Russia TSE Turkey YUQS Serbia
IQNet is represented in the USA by: AFNOR Certification, CISQ, DQS Holding GmbH and NSAI Inc.
* The list of IQNet partners is valid at the time of issue of this certificate. Updated information is available under www.iqnet-certification.com



www.csq.it

CSQ is a member of
IQNet
www.iqnet-certification.com

IQNet, An association of the world's best
third certification bodies, is the largest
provider of management system
certification in the world.
More information on our website
Refer to our website under ISO requirements
of your the globe.

ALLEGATO CERTIFICATO n.
9101.COGE
ANNEX CERTIFICATE

(*) Unità Operative:
(†) Operative Units:

DAB PUMPS SPA
VIA BONANNO RISANO 1 - 56031 BIENTINA (PI)

DAB PUMPS SPA
VIA DEL LAVORO 3 - 36040 SAN GERMANO DEI BERICI (VI)

DAB PUMPS QINGDAO CO. LTD
40 KAITUO ROAD, QINGDAO DEVELOPMENT ZONE - SHANGDONG PROVINCE, PRC CHINA

DAB PUMPS HUNGARY KFT
BUDA ERNO H - 8800 NAGYKANISZA HUNGARY

DATA	PRIMA CERTIFICAZIONE FIRST CERTIFICATION	EMERSONE CORRENTE CURRENT ISSUE	SCADENZA EXPIRY
	1995-07-17	2015-05-28	2018-05-27



ING S.p.A. - VIA QUINTELANDO, 43 - 20138 MILANO

ING è la Federazione Italiana di
Regolamento di Certificazione ed
controllo di qualità certificate.

ING è la Federazione Italiana di
Regolamento di Certificazione ed
controllo di qualità certificate.



IAF: 18, 19, 20

Regulation, Standardization, Inspection
and Certification of Quality Management
Systems (ISO 9001, ISO 14001, ISO 45001,
ISO 27001, IAF 18, IAF 19, IAF 20,
IATF 16949, IEC 60000, IEC 60060,
IEC 60384, IEC 60730, IEC 61000,
IEC 61508, IEC 61800, IEC 61850,
IEC 61968, IEC 61969, IEC 61970,
IEC 61971, IEC 61972, IEC 61973,
IEC 61974, IEC 61975, IEC 61976,
IEC 61977, IEC 61978, IEC 61979,
IEC 61980, IEC 61981, IEC 61982,
IEC 61983, IEC 61984, IEC 61985,
IEC 61986, IEC 61987, IEC 61988,
IEC 61989, IEC 61990, IEC 61991,
IEC 61992, IEC 61993, IEC 61994,
IEC 61995, IEC 61996, IEC 61997,
IEC 61998, IEC 61999, IEC 62000,
IEC 62001, IEC 62002, IEC 62003,
IEC 62004, IEC 62005, IEC 62006,
IEC 62007, IEC 62008, IEC 62009,
IEC 62010, IEC 62011, IEC 62012,
IEC 62013, IEC 62014, IEC 62015,
IEC 62016, IEC 62017, IEC 62018,
IEC 62019, IEC 62020, IEC 62021,
IEC 62022, IEC 62023, IEC 62024,
IEC 62025, IEC 62026, IEC 62027,
IEC 62028, IEC 62029, IEC 62030,
IEC 62031, IEC 62032, IEC 62033,
IEC 62034, IEC 62035, IEC 62036,
IEC 62037, IEC 62038, IEC 62039,
IEC 62040, IEC 62041, IEC 62042,
IEC 62043, IEC 62044, IEC 62045,
IEC 62046, IEC 62047, IEC 62048,
IEC 62049, IEC 62050, IEC 62051,
IEC 62052, IEC 62053, IEC 62054,
IEC 62055, IEC 62056, IEC 62057,
IEC 62058, IEC 62059, IEC 62060,
IEC 62061, IEC 62062, IEC 62063,
IEC 62064, IEC 62065, IEC 62066,
IEC 62067, IEC 62068, IEC 62069,
IEC 62070, IEC 62071, IEC 62072,
IEC 62073, IEC 62074, IEC 62075,
IEC 62076, IEC 62077, IEC 62078,
IEC 62079, IEC 62080, IEC 62081,
IEC 62082, IEC 62083, IEC 62084,
IEC 62085, IEC 62086, IEC 62087,
IEC 62088, IEC 62089, IEC 62090,
IEC 62091, IEC 62092, IEC 62093,
IEC 62094, IEC 62095, IEC 62096,
IEC 62097, IEC 62098, IEC 62099,
IEC 62100, IEC 62101, IEC 62102,
IEC 62103, IEC 62104, IEC 62105,
IEC 62106, IEC 62107, IEC 62108,
IEC 62109, IEC 62110, IEC 62111,
IEC 62112, IEC 62113, IEC 62114,
IEC 62115, IEC 62116, IEC 62117,
IEC 62118, IEC 62119, IEC 62120,
IEC 62121, IEC 62122, IEC 62123,
IEC 62124, IEC 62125, IEC 62126,
IEC 62127, IEC 62128, IEC 62129,
IEC 62130, IEC 62131, IEC 62132,
IEC 62133, IEC 62134, IEC 62135,
IEC 62136, IEC 62137, IEC 62138,
IEC 62139, IEC 62140, IEC 62141,
IEC 62142, IEC 62143, IEC 62144,
IEC 62145, IEC 62146, IEC 62147,
IEC 62148, IEC 62149, IEC 62150,
IEC 62151, IEC 62152, IEC 62153,
IEC 62154, IEC 62155, IEC 62156,
IEC 62157, IEC 62158, IEC 62159,
IEC 62160, IEC 62161, IEC 62162,
IEC 62163, IEC 62164, IEC 62165,
IEC 62166, IEC 62167, IEC 62168,
IEC 62169, IEC 62170, IEC 62171,
IEC 62172, IEC 62173, IEC 62174,
IEC 62175, IEC 62176, IEC 62177,
IEC 62178, IEC 62179, IEC 62180,
IEC 62181, IEC 62182, IEC 62183,
IEC 62184, IEC 62185, IEC 62186,
IEC 62187, IEC 62188, IEC 62189,
IEC 62190, IEC 62191, IEC 62192,
IEC 62193, IEC 62194, IEC 62195,
IEC 62196, IEC 62197, IEC 62198,
IEC 62199, IEC 62200, IEC 62201,
IEC 62202, IEC 62203, IEC 62204,
IEC 62205, IEC 62206, IEC 62207,
IEC 62208, IEC 62209, IEC 62210,
IEC 62211, IEC 62212, IEC 62213,
IEC 62214, IEC 62215, IEC 62216,
IEC 62217, IEC 62218, IEC 62219,
IEC 62220, IEC 62221, IEC 62222,
IEC 62223, IEC 62224, IEC 62225,
IEC 62226, IEC 62227, IEC 62228,
IEC 62229, IEC 62230, IEC 62231,
IEC 62232, IEC 62233, IEC 62234,
IEC 62235, IEC 62236, IEC 62237,
IEC 62238, IEC 62239, IEC 62240,
IEC 62241, IEC 62242, IEC 62243,
IEC 62244, IEC 62245, IEC 62246,
IEC 62247, IEC 62248, IEC 62249,
IEC 62250, IEC 62251, IEC 62252,
IEC 62253, IEC 62254, IEC 62255,
IEC 62256, IEC 62257, IEC 62258,
IEC 62259, IEC 62260, IEC 62261,
IEC 62262, IEC 62263, IEC 62264,
IEC 62265, IEC 62266, IEC 62267,
IEC 62268, IEC 62269, IEC 62270,
IEC 62271, IEC 62272, IEC 62273,
IEC 62274, IEC 62275, IEC 62276,
IEC 62277, IEC 62278, IEC 62279,
IEC 62280, IEC 62281, IEC 62282,
IEC 62283, IEC 62284, IEC 62285,
IEC 62286, IEC 62287, IEC 62288,
IEC 62289, IEC 62290, IEC 62291,
IEC 62292, IEC 62293, IEC 62294,
IEC 62295, IEC 62296, IEC 62297,
IEC 62298, IEC 62299, IEC 62300,
IEC 62301, IEC 62302, IEC 62303,
IEC 62304, IEC 62305, IEC 62306,
IEC 62307, IEC 62308, IEC 62309,
IEC 62310, IEC 62311, IEC 62312,
IEC 62313, IEC 62314, IEC 62315,
IEC 62316, IEC 62317, IEC 62318,
IEC 62319, IEC 62320, IEC 62321,
IEC 62322, IEC 62323, IEC 62324,
IEC 62325, IEC 62326, IEC 62327,
IEC 62328, IEC 62329, IEC 62330,
IEC 62331, IEC 62332, IEC 62333,
IEC 62334, IEC 62335, IEC 62336,
IEC 62337, IEC 62338, IEC 62339,
IEC 62340, IEC 62341, IEC 62342,
IEC 62343, IEC 62344, IEC 62345,
IEC 62346, IEC 62347, IEC 62348,
IEC 62349, IEC 62350, IEC 62351,
IEC 62352, IEC 62353, IEC 62354,
IEC 62355, IEC 62356, IEC 62357,
IEC 62358, IEC 62359, IEC 62360,
IEC 62361, IEC 62362, IEC 62363,
IEC 62364, IEC 62365, IEC 62366,
IEC 62367, IEC 62368, IEC 62369,
IEC 62370, IEC 62371, IEC 62372,
IEC 62373, IEC 62374, IEC 62375,
IEC 62376, IEC 62377, IEC 62378,
IEC 62379, IEC 62380, IEC 62381,
IEC 62382, IEC 62383, IEC 62384,
IEC 62385, IEC 62386, IEC 62387,
IEC 62388, IEC 62389, IEC 62390,
IEC 62391, IEC 62392, IEC 62393,
IEC 62394, IEC 62395, IEC 62396,
IEC 62397, IEC 62398, IEC 62399,
IEC 62400, IEC 62401, IEC 62402,
IEC 62403, IEC 62404, IEC 62405,
IEC 62406, IEC 62407, IEC 62408,
IEC 62409, IEC 62410, IEC 62411,
IEC 62412, IEC 62413, IEC 62414,
IEC 62415, IEC 62416, IEC 62417,
IEC 62418, IEC 62419, IEC 62420,
IEC 62421, IEC 62422, IEC 62423,
IEC 62424, IEC 62425, IEC 62426,
IEC 62427, IEC 62428, IEC 62429,
IEC 62430, IEC 62431, IEC 62432,
IEC 62433, IEC 62434, IEC 62435,
IEC 62436, IEC 62437, IEC 62438,
IEC 62439, IEC 62440, IEC 62441,
IEC 62442, IEC 62443, IEC 62444,
IEC 62445, IEC 62446, IEC 62447,
IEC 62448, IEC 62449, IEC 62450,
IEC 62451, IEC 62452, IEC 62453,
IEC 62454, IEC 62455, IEC 62456,
IEC 62457, IEC 62458, IEC 62459,
IEC 62460, IEC 62461, IEC 62462,
IEC 62463, IEC 62464, IEC 62465,
IEC 62466, IEC 62467, IEC 62468,
IEC 62469, IEC 62470, IEC 62471,
IEC 62472, IEC 62473, IEC 62474,
IEC 62475, IEC 62476, IEC 62477,
IEC 62478, IEC 62479, IEC 62480,
IEC 62481, IEC 62482, IEC 62483,
IEC 62484, IEC 62485, IEC 62486,
IEC 62487, IEC 62488, IEC 62489,
IEC 62490, IEC 62491, IEC 62492,
IEC 62493, IEC 62494, IEC 62495,
IEC 62496, IEC 62497, IEC 62498,
IEC 62499, IEC 62500, IEC 62501,
IEC 62502, IEC 62503, IEC 62504,
IEC 62505, IEC 62506, IEC 62507,
IEC 62508, IEC 62509, IEC 62510,
IEC 62511, IEC 62512, IEC 62513,
IEC 62514, IEC 62515, IEC 62516,
IEC 62517, IEC 62518, IEC 62519,
IEC 62520, IEC 62521, IEC 62522,
IEC 62523, IEC 62524, IEC 62525,
IEC 62526, IEC 62527, IEC 62528,
IEC 62529, IEC 62530, IEC 62531,
IEC 62532, IEC 62533, IEC 62534,
IEC 62535, IEC 62536, IEC 62537,
IEC 62538, IEC 62539, IEC 62540,
IEC 62541, IEC 62542, IEC 62543,
IEC 62544, IEC 62545, IEC 62546,
IEC 62547, IEC 62548, IEC 62549,
IEC 62550, IEC 62551, IEC 62552,
IEC 62553, IEC 62554, IEC 62555,
IEC 62556, IEC 62557, IEC 62558,
IEC 62559, IEC 62560, IEC 62561,
IEC 62562, IEC 62563, IEC 62564,
IEC 62565, IEC 62566, IEC 62567,
IEC 62568, IEC 62569, IEC 62570,
IEC 62571, IEC 62572, IEC 62573,
IEC 62574, IEC 62575, IEC 62576,
IEC 62577, IEC 62578, IEC 62579,
IEC 62580, IEC 62581, IEC 62582,
IEC 62583, IEC 62584, IEC 62585,
IEC 62586, IEC 62587, IEC 62588,
IEC 62589, IEC 62590, IEC 62591,
IEC 62592, IEC 62593, IEC 62594,
IEC 62595, IEC 62596, IEC 62597,
IEC 62598, IEC 62599, IEC 62600,
IEC 62601, IEC 62602, IEC 62603,
IEC 62604, IEC 62605, IEC 62606,
IEC 62607, IEC 62608, IEC 62609,
IEC 62610, IEC 62611, IEC 62612,
IEC 62613, IEC 62614, IEC 62615,
IEC 62616, IEC 62617, IEC 62618,
IEC 62619, IEC 62620, IEC 62621,
IEC 62622, IEC 62623, IEC 62624,
IEC 62625, IEC 62626, IEC 62627,
IEC 62628, IEC 62629, IEC 62630,
IEC 62631, IEC 62632, IEC 62633,
IEC 62634, IEC 62635, IEC 62636,
IEC 62637, IEC 62638, IEC 62639,
IEC 62640, IEC 62641, IEC 62642,
IEC 62643, IEC 62644, IEC 62645,
IEC 62646, IEC 62647, IEC 62648,
IEC 62649, IEC 62650, IEC 62651,
IEC 62652, IEC 62653, IEC 62654,
IEC 62655, IEC 62656, IEC 62657,
IEC 62658, IEC 62659, IEC 62660,
IEC 62661, IEC 62662, IEC 62663,
IEC 62664, IEC 62665, IEC 62666,
IEC 62667, IEC 62668, IEC 62669,
IEC 62670, IEC 62671, IEC 62672,
IEC 62673, IEC 62674, IEC 62675,
IEC 62676, IEC 62677, IEC 62678,
IEC 62679, IEC 62680, IEC 62681,
IEC 62682, IEC 62683, IEC 62684,
IEC 62685, IEC 62686, IEC 62687,
IEC 62688, IEC 62689, IEC 62690,
IEC 62691, IEC 62692, IEC 62693,
IEC 62694, IEC 62695, IEC 62696,
IEC 62697, IEC 62698, IEC 62699,
IEC 62700, IEC 62701, IEC 62702,
IEC 62703, IEC 62704, IEC 62705,
IEC 62706, IEC 62707, IEC 62708,
IEC 62709, IEC 62710, IEC 62711,
IEC 62712, IEC 62713, IEC 62714,
IEC 62715, IEC 62716, IEC 62717,
IEC 62718, IEC 62719, IEC 62720,
IEC 62721, IEC 62722, IEC 62723,
IEC 62724, IEC 62725, IEC 62726,
IEC 62727, IEC 62728, IEC 62729,
IEC 62730, IEC 62731, IEC 62732,
IEC 62733, IEC 62734, IEC 62735,
IEC 62736, IEC 62737, IEC 62738,
IEC 62739, IEC 62740, IEC 62741,
IEC 62742, IEC 62743, IEC 62744,
IEC 62745, IEC 62746, IEC 62747,
IEC 62748, IEC 62749, IEC 62750,
IEC 62751, IEC 62752, IEC 62753,
IEC 62754, IEC 62755, IEC 62756,
IEC 62757, IEC 62758, IEC 62759,
IEC 62760, IEC 62761, IEC 62762,
IEC 62763, IEC 62764, IEC 62765,
IEC 62766, IEC 62767, IEC 62768,
IEC 62769, IEC 62770, IEC 62771,
IEC 62772, IEC 62773, IEC 62774,
IEC 62775, IEC 62776, IEC 62777,
IEC 62778, IEC 62779, IEC 62780,
IEC 62781, IEC 62782, IEC 62783,
IEC 62784, IEC 62785, IEC 62786,
IEC 62787, IEC 62788, IEC 62789,
IEC 62790, IEC 62791, IEC 62792,
IEC 62793, IEC 62794, IEC 62795,
IEC 62796, IEC 62797, IEC 62798,
IEC 62799, IEC 62800, IEC 62801,
IEC 62802, IEC 62803, IEC 62804,
IEC 62805, IEC 62806, IEC 62807,
IEC 62808, IEC 62809, IEC 62810,
IEC 62811, IEC 62812, IEC 62813,
IEC 62814, IEC 62815, IEC 62816,
IEC 62817, IEC 62818, IEC 62819,
IEC 62820, IEC 62821, IEC 62822,
IEC 62823, IEC 62824, IEC 62825,
IEC 62826, IEC 62827, IEC 62828,
IEC 62829, IEC 62830, IEC 62831,
IEC 62832, IEC 62833, IEC 62834,
IEC 62835, IEC 62836, IEC 62837,
IEC 62838, IEC 62839, IEC 62840,
IEC 62841, IEC 62842, IEC 62843,
IEC 62844, IEC 62845, IEC 62846,
IEC 62847, IEC 62848, IEC 62849,
IEC 62850, IEC 62851, IEC 62852,
IEC 62853, IEC 62854, IEC 62855,
IEC 62856, IEC 62857, IEC 62858,
IEC 62859, IEC 62860, IEC 62861,
IEC 62862, IEC 62863, IEC 62864,
IEC 62865, IEC 62866, IEC 62867,
IEC 62868, IEC 62869, IEC 62870,
IEC 62871, IEC 62872, IEC 62873,
IEC 62874, IEC 62875, IEC 62876,
IEC 62877, IEC 62878, IEC 62879,
IEC 62880, IEC 62881, IEC 62882,
IEC 62883, IEC 62884, IEC 62885,
IEC 62886, IEC 62887, IEC 62888,
IEC 62889, IEC 62890, IEC 62891,
IEC 62892, IEC 62893, IEC 62894,
IEC 62895, IEC 62896, IEC 62897,
IEC 62898, IEC 62899, IEC 62900,
IEC 62901, IEC 62902, IEC 62903,
IEC 62904, IEC 62905, IEC 62906,
IEC 62907, IEC 62908, IEC 62909,
IEC 62910, IEC 62911, IEC 62912,
IEC 62913, IEC 62914, IEC 62915,
IEC 62916, IEC 62917, IEC 62918,
IEC 62919, IEC 62920, IEC 62921,
IEC 62922, IEC 62923, IEC 62924,
IEC 62925, IEC 62926, IEC 62927,
IEC 62928, IEC 62929, IEC 62930,
IEC 62931, IEC 62932, IEC 62933,
IEC 62934, IEC 62935, IEC 62936,
IEC 62937, IEC 62938, IEC 62939,
IEC 62940, IEC 62941, IEC 62942,
IEC 62943, IEC 62944, IEC 62945,
IEC 62946, IEC 62947, IEC 62948,
IEC 62949, IEC 62950, IEC 62951,
IEC 62952, IEC 62953, IEC 62954,
IEC 62955, IEC 62956, IEC 62957,
IEC 62958, IEC 62959, IEC 62960,
IEC 62961, IEC 62962, IEC 62963,
IEC 62964, IEC 62965, IEC 62966,
IEC 62967, IEC 62968, IEC 62969,
IEC 62970, IEC 62971, IEC 62972,
IEC 62973, IEC 62974, IEC 62975,
IEC 62976, IEC 62977, IEC 62978,
IEC 62979, IEC 62980, IEC 62981,
IEC 62982, IEC 62983, IEC 62984,
IEC 62985, IEC 62986, IEC 62987,
IEC 62988, IEC 62989, IEC 62990,
IEC 62991, IEC 62992, IEC 62993,
IEC 62994, IEC 62995, IEC 62996,
IEC 62997, IEC 62998, IEC 62999,
IEC 63000, IEC 63001, IEC 63002,
IEC 63003, IEC 63004, IEC 63005,
IEC 63006, IEC 63007, IEC 63008,
IEC 63009, IEC 63010, IEC 63011,
IEC 63012, IEC 63013, IEC 63014,
IEC 63015, IEC 63016, IEC 63017,
IEC 63018, IEC 63019, IEC 63020,
IEC 63021, IEC 63022, IEC 63023,
IEC 63024, IEC 63025, IEC 63026,
IEC 63027, IEC 63028, IEC 63029,
IEC 63030, IEC 63031, IEC 63032,
IEC 63033, IEC 63034, IEC 63035,
IEC 63036, IEC 63037, IEC 63038,
IEC 63039, IEC 63040, IEC 63041,
IEC 63042, IEC 63043, IEC 63044,
IEC 63045, IEC 63046, IEC 63047,
IEC 63048, IEC 63049, IEC 63050,
IEC 63051, IEC 63052, IEC 63053,
IEC 63054, IEC 63055, IEC 63056,
IEC 63057, IEC 63058, IEC 63059,
IEC 63060, IEC 63061, IEC 63062,
IEC 63063, IEC 63064, IEC 63065,
IEC 63066, IEC 63067, IEC 63068,
IEC 63069, IEC 63070, IEC 63071,
IEC 63072, IEC 63073, IEC 63074,
IEC 63075

CONTENTS

ELECTRONIC IN-LINE PUMPS



ALME / ALPE

PAGE 3



CPE / CP-GE / DCPE / DCP-GE

PAGE 80



KLME / KLPE / DKLME / DKLPE

PAGE 9



KCE / KCVE

PAGE 114



CME / CM-GE / DCME / DCM-GE

PAGE 38

HYDRAULIC EFFICIENCY

ACCESSORIES

TECHNICAL APPENDIX

PAGE 121



PAGE 127

PAGE 129

ALME / ALPE

ELECTRONIC IN-LINE PUMPS FOR CIRCULATION SYSTEMS



TECHNICAL DATA

Operating range:

from 1 to 8,4 m³/h with head up to 21 metres.

Liquid temperature range: from -15 °C to +120 °C.

Pumped liquid: clean, free of solids and abrasives, non-viscous, non-aggressive, non-crystallised and chemically neutral, with properties similar to water. Maximum glycol content 30% (for other glycol percentages contact Technical Support).

Installation: fixed, horizontal position.

Maximum ambient temperature: +40 °C.

Maximum operating pressure: 10 bar (1000 kPa).

Protection class: IP 55.

Insulation class: F.

Standard voltage: single-phase 220-240 V, 50/60 Hz.

APPLICATIONS

Hot or cold water circulation pump with in-line ports, suitable for installation directly on the pipework of on civil and industrial heating, air conditioning, refrigeration, and sanitary water plants. Particularly versatile thanks to the use of the MCE/C inverter, offering performance features capable of automatically adapting to the different needs of the system, keeping a consistent differential pressure.

CONSTRUCTION FEATURES OF THE PUMP

Pump body and motor support in cast iron.

2" M-GAS suction and delivery ports. Technopolymer impeller. Carbon/ceramic mechanical seal.

Construction features of the motor

External ventilation cooling, closed, asynchronous type, with four poles for the ALM version, and two poles for the ALP version.

Rotor running on permanently lubricated ball bearings, oversized to ensure low noise and durability.

Construction according to CEI 2-3.

CONSTRUCTION FEATURES OF THE ELECTRONICS: MCE/C INVERTER

MCE/C inverters are the latest technological achievement of the DAB inverter range. They represent a new generation of inverters for use with circulation pumps, and set themselves apart due to ease of use, power, simplicity of installation and management. MCE/C inverters have been designed for managing circulation pumps. By allowing a simple adjustment of the differential pressure, they give the possibility of adjusting the performance of the circulation pump to the actual system requirements. They are fitted on the fan cover of the motor. This makes the installation of the pump with MCE/C particularly easy and quick. The protection class of the MCE/C is IP55. The ease of programming is guaranteed by the use of a simple and intuitive interface, similar to Dialogue electronic circulators, and a graphic display. MCE/C inverters have a double micro-processor construction that guarantees maximum efficiency and reliability.

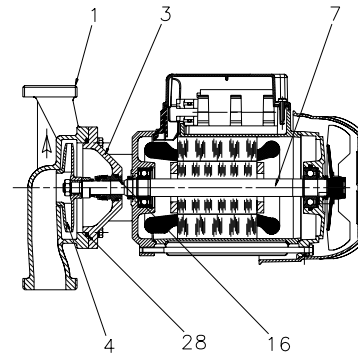
A reliable and sturdy construction, together with a modern and innovative design, complete the product, also in terms of aesthetic value. MCE/C inverters protect the motor and the pump, and increase their life, by eliminating hammering effects and making the pump rotate at the minimum number of rotations capable of meeting the requirements of the user. In addition, electric pumps controlled by the MCE/C inverter are environmentally friendly. In fact, by ensuring that the pump only uses the power that is strictly necessary for meeting the needs of the users, electricity consumption is strongly reduced when compared with fixed speed pumps. It is possible to create twin units by using the appropriate cable for the connection of MCE/C inverters.

ALME / ALPE

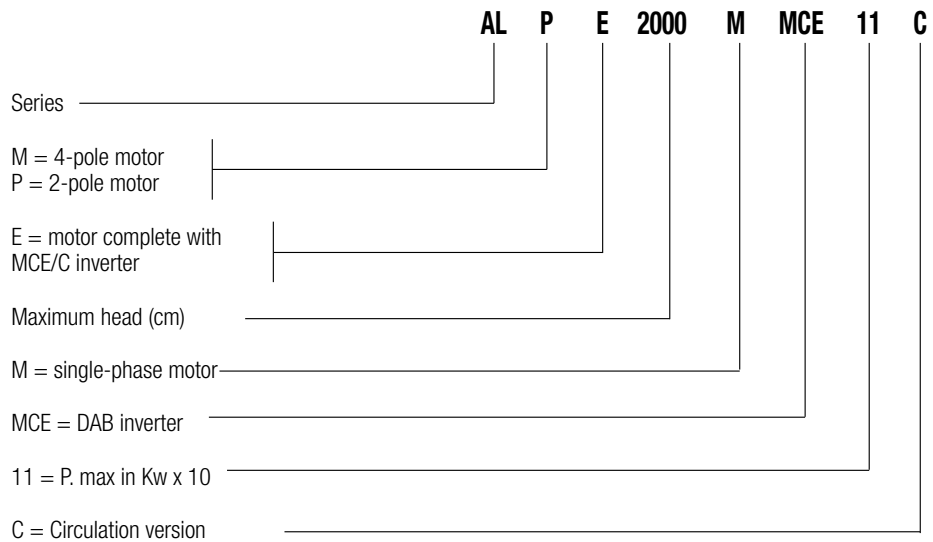
ELECTRONIC IN-LINE PUMPS FOR CIRCULATION SYSTEMS

MATERIALS

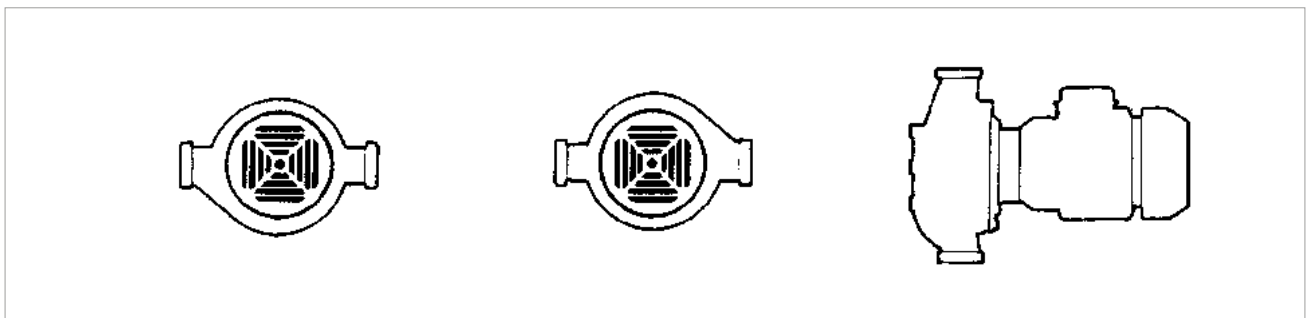
N.	PARTS	MATERIALS
1	PUMP BODY	CAST IRON 250 UNI ISO 185
3	SUPPORT	CAST IRON 250 UNI ISO 185
4	IMPELLER	TECHNOPOLYMER
7	SHAFT WITH ROTOR	AISI 303 STAINLESS STEEL X10 CrNiS 1809 UNI 6900/71
16	MECHANICAL SEAL	CARBON / CERAMIC
28	OR RING	EPDM RUBBER



**– Legend:
(example)**



Installation: fixed, horizontal position.



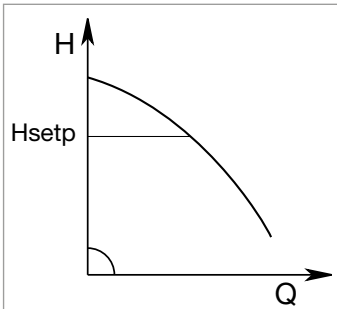
MCE/C INVERTER

MODES OF OPERATION

All the functions listed below can be consulted by the users (including less experienced ones) by simply scrolling through the MCE/C menu. The calibration and the modification of the parameters are protected, and can only be completed by expert users.

1 - ΔP -c constant differential pressure adjustment mode

The ΔP -c adjustment mode keeps the differential pressure of the system constantly at the H (setp) value set, even in case of variation of the flow rate. This is the standard adjustment used. It can be set directly from the MCE/C control panel. The inverter keeps the differential pressure (H setp) constant even in case of flow variation.



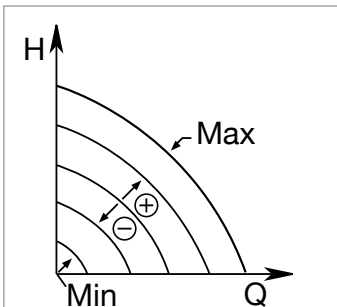
This adjustment is particularly indicated for the following systems:

- a. two-pipe heating systems with thermostat valves
- b. underfloor heating systems with thermostat valves
- c. single-pipe heating systems with thermostat valves and calibration valves
- d. systems with primary circuit pumps

2 - Constant curve adjustment modes

2.1 - Constant curve adjustment

The rotation speed is kept at a constant number of revolutions. This rotation speed can be set between a minimum value and the nominal frequency of the circulation pump (e.g. between 15 Hz and 50 Hz). This mode can be set using the control panel on the MCE cover.

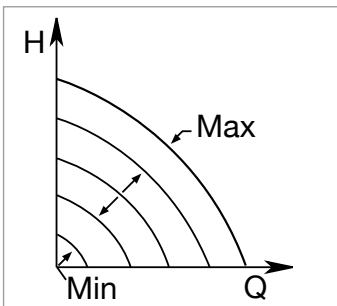


2.2 - Adjustment of the constant curve with external analogue signal

The rotation speed is kept at a constant number of revolution in proportion with the voltage of the external analogue signal.

The rotation speed changes in a linear way, between the nominal frequency of the pump when $V_{in} = 10$ V, and the minimum frequency when $V_{in} = 0$ V.

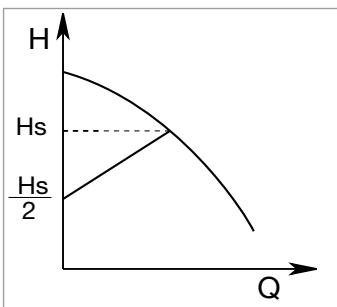
This mode can be set using the control panel on the MCE cover.



3 - ΔP -v * proportional differential pressure adjustment mode

With ΔP -v adjustment mode, with the variation of the flow rate, the value of the delivery of the head also varies in a linear manner, from Hsetp to Hsetp/2.

* in order to know the availability of the function on specific models contact our customer service.



For more information refer to the technical appendix.

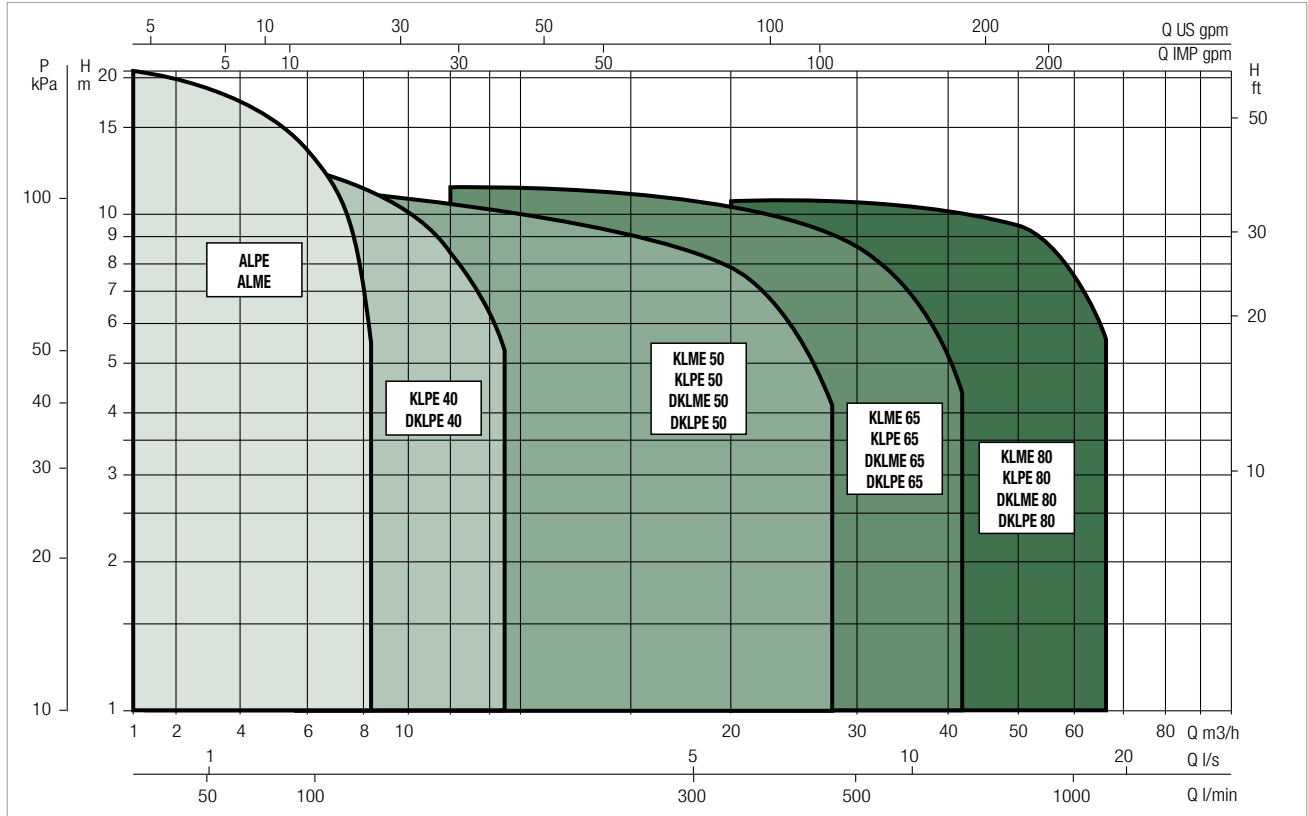
ELECTRIC IN-LINE PUMPS

ELECTRONIC IN-LINE PUMPS FOR CIRCULATION SYSTEMS

PERFORMANCE RANGE

The performance curves are based on kinematic viscosity values = 1 mm²/s and density equal to 1000 kg/m³. Curve tolerance according to ISO 9906.

GRAPHIC SELECTION TABLE

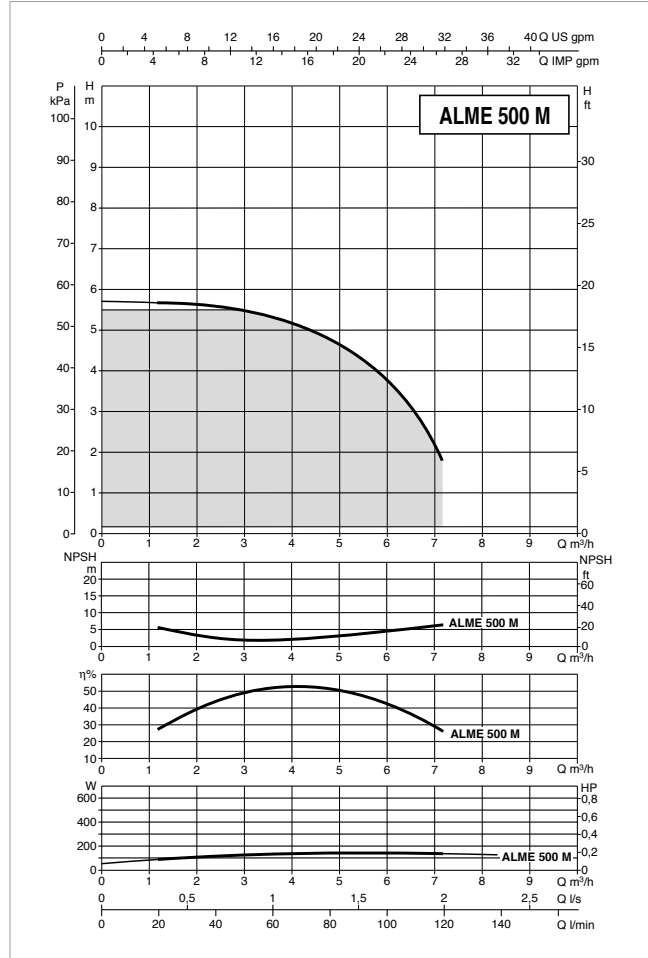
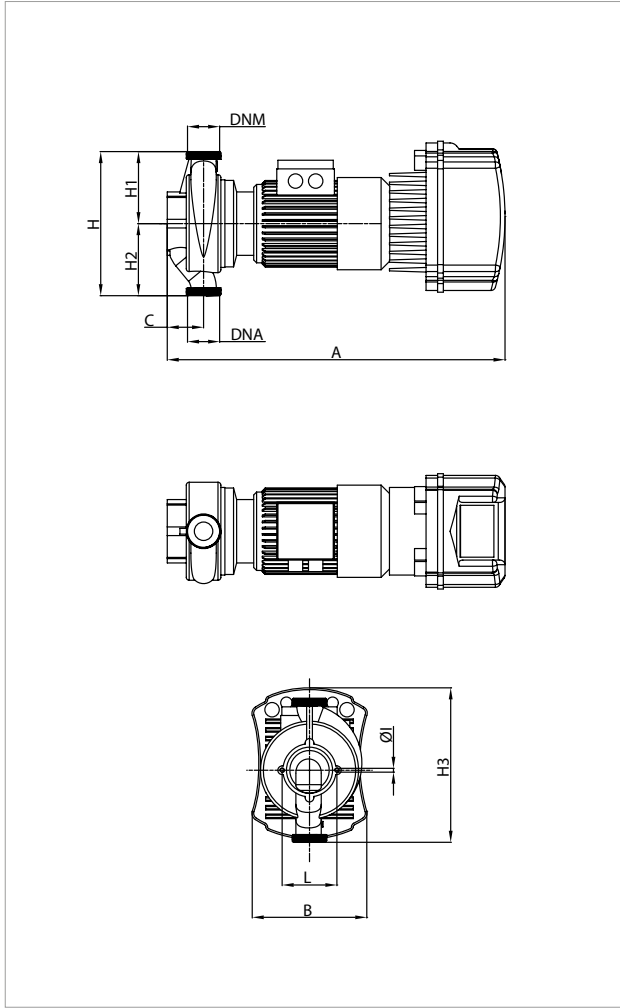


SELECTION TABLE - ALME / ALPE

MODEL	Q=m³/h	0	1,2	2,4	3,6	4,8	6	7,2	8,4
	Q=l/min	0	20	40	60	80	100	120	140
ALME 500 M MCE11/C	H (m)	5,5	5,4	5,3	4,8	4,1	3	1,5	
ALPE 2000 M MCE11/C		21,1	20,6	19,6	18	16	13,8	10,5	5,3

ALME 500 - IN-LINE ELECTRIC PUMPS FOR HEATING, AIR CONDITIONING, REFRIGERATION, SOLAR, AND SANITARY SYSTEMS - SINGLE, THREADED, WITH MCE/C INVERTER

Pumped liquid temperature range: from -15 °C to +120 °C - Maximum ambient temperature: +40°C



The performance curves are based on kinematic viscosity values = 1 mm²/s and density equal to 1000 kg/m³. Curve tolerance according to ISO 9906.

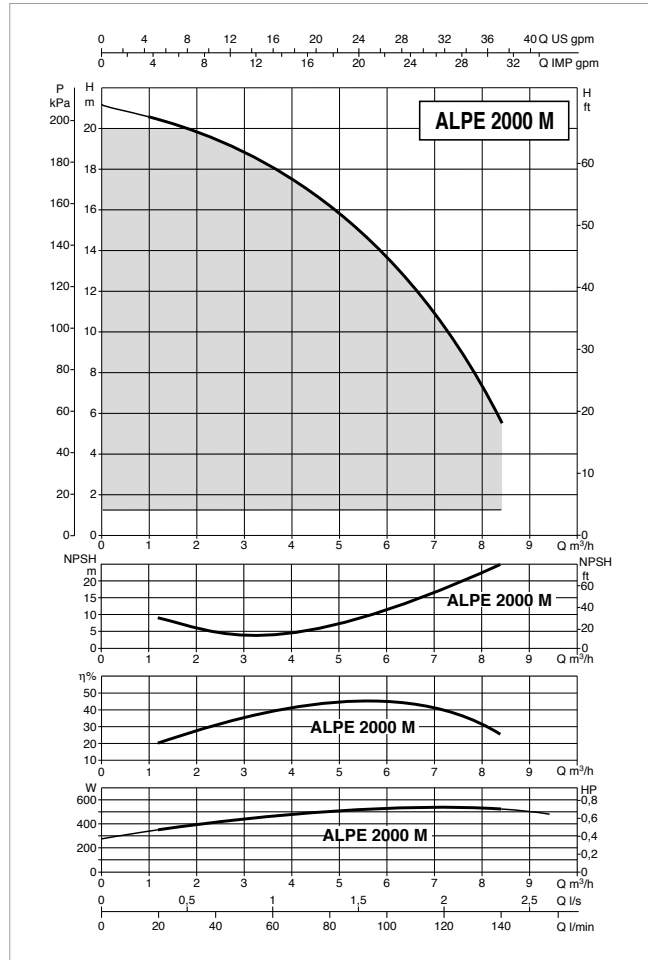
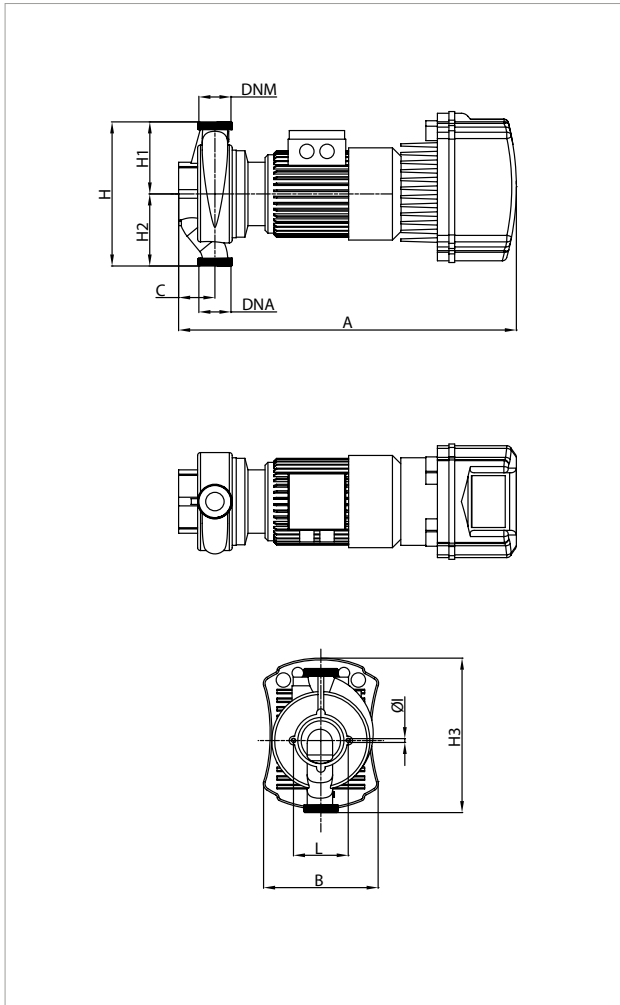
MODEL	ELECTRICAL DATA						
	POWER INPUT 50 Hz	MOTOR TYPE	n r.p.m.	P1 MAX W	P2 NOMINAL		In A
					kW	HP	
ALME 500 M MCE11/C *	1x220-240 V ~	4 POLES	1425	0,20	0,25	0,33	3,20

* Three-phase version on request

MODEL	A	B	C	L	Ø	H	H1	H2	H3	DNA	DNM	PACKING DIMENSIONS			VOLUME (m ³)	WEIGHT kg
												L/A	L/B	H		
ALME 500 M MCE11/C	586	200	63	95	8	250	125	125	256	2" M	2" M	600	234	275	0,039	19,5

ALPE 2000 IN-LINE ELECTRIC PUMPS FOR HEATING, AIR CONDITIONING, REFRIGERATION, SOLAR, AND SANITARY SYSTEMS - SINGLE, THREADED WITH MCE/C INVERTER

Pumped liquid temperature range: from -15 °C to +120 °C - Maximum ambient temperature: +40°C



The performance curves are based on kinematic viscosity values = 1 mm²/s and density equal to 1000 kg/m³. Curve tolerance according to ISO 9906.

MODEL	ELECTRICAL DATA						
	POWER INPUT 50 Hz	MOTOR TYPE	n r.p.m.	P1 MAX W	P2 NOMINAL		In A
					kW	HP	
ALPE 2000 M MCE11/C *	1x220-240 V ~	2 POLES	2870	0,69	0,55	0,75	6,36

* Three-phase version on request

MODEL	A	B	C	L	Ø	H	H1	H2	H3	DNA	DNM	PACKING DIMENSIONS			VOLUME (m³)	WEIGHT kg
												L/A	L/B	H		
ALPE 2000 M MCE11/C	586	200	63	95	8	250	125	125	256	2" M	2" M	600	234	275	0,039	19,5

KLME / KLPE / DKLME / DKLPE

ELECTRONIC IN-LINE PUMPS FOR CIRCULATION SYSTEMS



TECHNICAL DATA

Operating range:

from 2 to 67 m³/h with head up to 13,7 metres.

Pumped liquid: clean, free of solids and abrasives, non-viscous, non-aggressive, non-crystallised and chemically neutral, with properties similar to water. Maximum glycol content 30% (for other glycol percentages contact Technical Support).

Pumped liquid temperature range: from -15 °C to +120°C.

Maximum ambient temperature: +40°C

Maximum operating pressure: 10 bar (1000 kPa).

Standard flanges:

DN 40, DN 50, DN 65, DN 80 - PN 6/PN 10 (4 holes)

Flanges on request: DN 80 - PN 16 (8 holes)

Counter flanges on request: threaded DN 40, DN 50, DN 65 - PN 6

with welded collar DN 40, DN 50, DN 65, DN 80 - PN 6

with welded collar DN 40, DN 50, DN 65 - PN 10/PN 16 (4 holes)

with welded collar DN 80 - PN 10/PN 16 (8 holes)

Protection class: IP 55

Insulation class: F

Standard single-phase voltage: 1x220-240 V / 50-60 Hz

Special version on request:

three-phase 3x400 V / 50 Hz or three-phase 3x460 V / 60 Hz

Standard three-phase voltage: 3x400 V / 50 Hz

Special version on request: 3x460 V / 60 Hz

APPLICATIONS

Hot or cold water circulation pump with in-line ports, suitable for installation directly on the pipework of on civil and industrial heating, air conditioning, refrigeration, and sanitary water plants. Particularly versatile thanks to the use of the MCE/C inverter, offering performance features capable of automatically adapting to the different needs of the system, keeping a consistent differential pressure.

CONSTRUCTION FEATURES OF THE PUMP

Pump body and motor support in cast iron.

PN 10 flanged suction and delivery ports with threaded holes for control manometers. To make replacement in existing systems easier, the pump can accept PN 6 counter flanges.

Technopolymer impeller.

Carbon/ceramic mechanical seal.

The pumps are available both in the single (KLME-KLPE) and in the twin (DKLME-DKLPE) versions.

For the single version a built in clapet valve in the delivery port is also included, to avoid water recirculation when the unit is idle. A blind flange is also supplied as a standard, to be used during maintenance of one of the two motors.

The twin version gives the possibility of alternating the operation of the pumps when a backup unit is required, or to have the two pumps operating simultaneously.

CONSTRUCTION FEATURES OF THE MOTOR

External ventilation cooling, closed, asynchronous type, with four poles for the KLME and DKLME versions, and two poles for the KLPE and DKLPE versions.

Rotor running on permanently lubricated ball bearings, oversized to ensure low noise and durability.

Built-in thermo-amperometric protection.

Construction according to CEI 2-3.

CONSTRUCTION FEATURES OF THE ELECTRONICS: MCE/C INVERTER

MCE/C inverters are the latest technological achievement of the DAB inverter range. They represent a new generation of inverters for use with circulation pumps, and set themselves apart due to ease of use, power, simplicity of installation and management. MCE/C inverters have been designed for managing circulation pumps. By allowing a simple adjustment of the differential pressure, they give the possibility of adjusting the performance of the circulation pump to the actual system requirements. They are fitted on the fan cover of the motor. This makes the installation of the pump with MCE/C particularly easy and quick. The protection class of the MCE/C is IP55. The ease of programming is guaranteed by the use of a simple and intuitive interface, similar to Dialogue electronic circulators, and a graphic display. MCE/C inverters have a double micro-processor construction that guarantees maximum efficiency and reliability.

A reliable and sturdy construction, together with a modern and innovative design, complete the product, also in terms of aesthetic value. MCE/C inverters protect the motor and the pump, and increase their life, by eliminating hammering effects and making the pump rotate at the minimum number of rotations capable of meeting the requirements of the user. In addition, electric pumps controlled by the MCE/C inverter are environmentally friendly. In fact, by ensuring that the pump only uses the power that is strictly necessary for meeting the needs of the users, electricity consumption is strongly reduced when compared with fixed speed pumps. It is possible to create twin units by using the appropriate cable for the connection of MCE/C inverters.

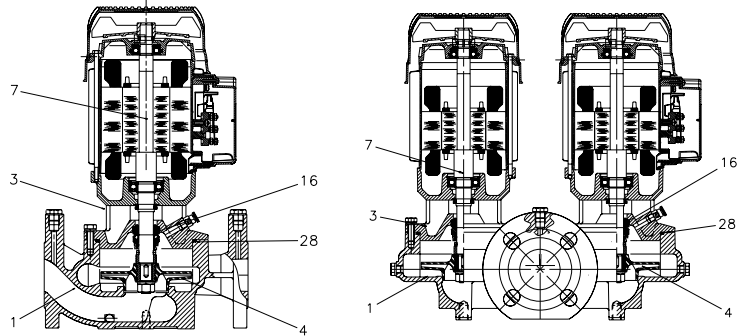
KLME / KLPE / DKLME / DKLPE

ELECTRONIC IN-LINE PUMPS FOR CIRCULATION SYSTEMS

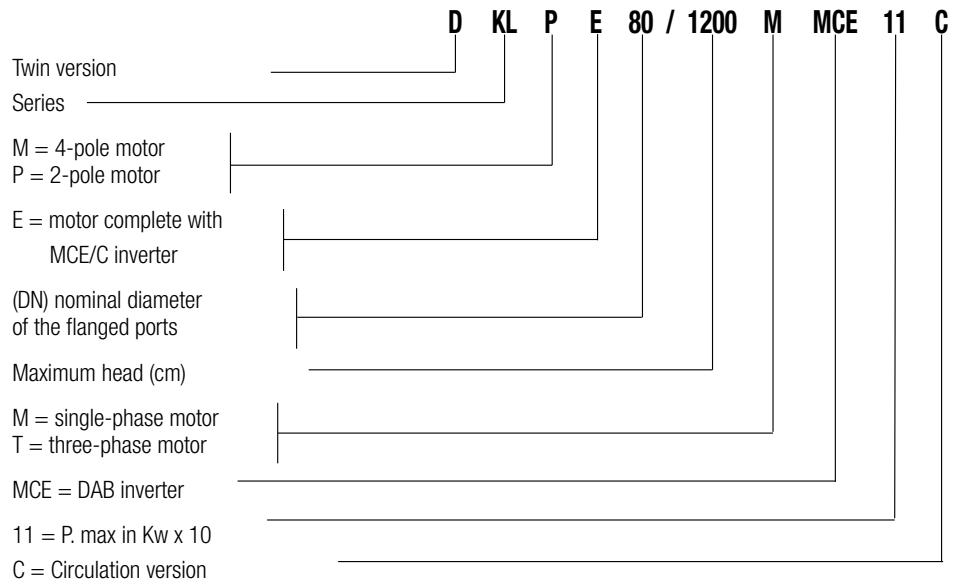
MATERIALS

N.	PARTS*	MATERIALS
1	PUMP BODY	CAST IRON 250 UNI ISO 185
3	SUPPORT	CAST IRON 250 UNI ISO 185
4	IMPELLER	TECHNOPOLYMER B
7	SHAFT WITH ROTOR	AISI 303 STAINLESS STEEL X10 CrNiS 1809 UNI 6900/71
16	MECHANICAL SEAL	CARBON / CERAMIC
28	OR RING	EPDM RUBBER

* In contact with the liquid

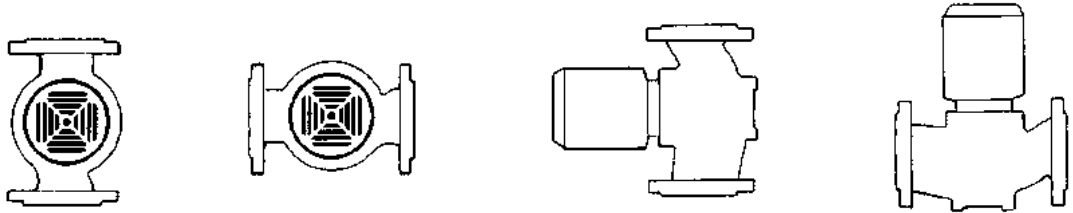


– Legend: (example)

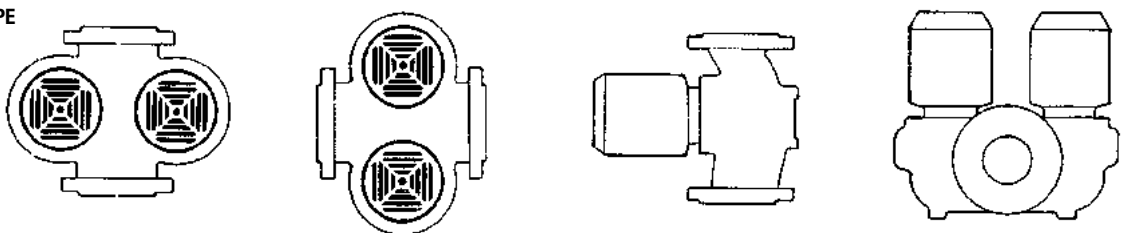


Installation: horizontal or vertical position, provided that the motor is always above the pump.

KLME / KLPE



DKLME / DKLPE



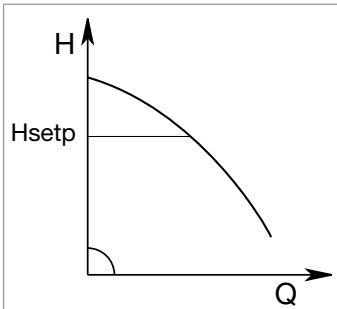
MCE/C INVERTER

MODES OF OPERATION

All the functions listed below can be consulted by the users (including less experienced ones) by simply scrolling through the MCE/C menu. The calibration and the modification of the parameters are protected, and can only be completed by expert users.

1 - ΔP -c constant differential pressure adjustment mode

The ΔP -c adjustment mode keeps the differential pressure of the system constantly at the H (setp) value set, even in case of variation of the flow rate. This is the standard adjustment used. It can be set directly from the MCE/C control panel. The inverter keeps the differential pressure (H setp) constant even in case of flow variation.



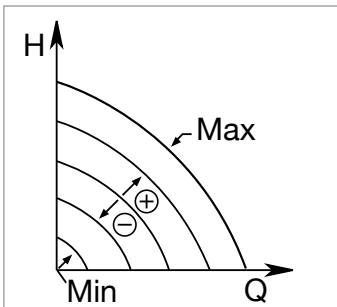
This adjustment is particularly indicated for the following systems:

- a. two-pipe heating systems with thermostat valves**
- b. underfloor heating systems with thermostat valves**
- c. single-pipe heating systems with thermostat valves and calibration valves**
- d. systems with primary circuit pumps**

2 - Constant curve adjustment modes

2.1 - Constant curve adjustment

The rotation speed is kept at a constant number of revolutions. This rotation speed can be set between a minimum value and the nominal frequency of the circulation pump (e.g. between 15 Hz and 50 Hz). This mode can be set using the control panel on the MCE cover.

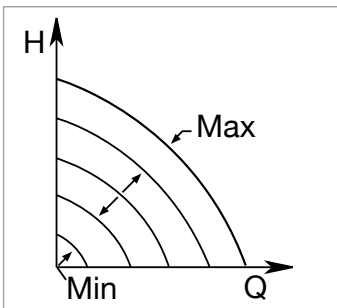


2.2 - Adjustment of the constant curve with external analogue signal

The rotation speed is kept at a constant number of revolution in proportion with the voltage of the external analogue signal.

The rotation speed changes in a linear way, between the nominal frequency of the pump when $V_{in} = 10$ V, and the minimum frequency when $V_{in} = 0$ V.

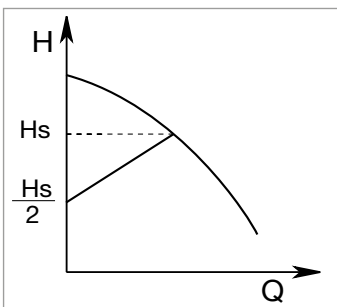
This mode can be set using the control panel on the MCE cover.



3 - ΔP -v * proportional differential pressure adjustment mode

With ΔP -v adjustment mode, with the variation of the flow rate, the value of the delivery of the head also varies in a linear manner, from Hsetp to Hsetp/2.

* in order to know the availability of the function on specific models contact our customer service.



For more information refer to the technical appendix.

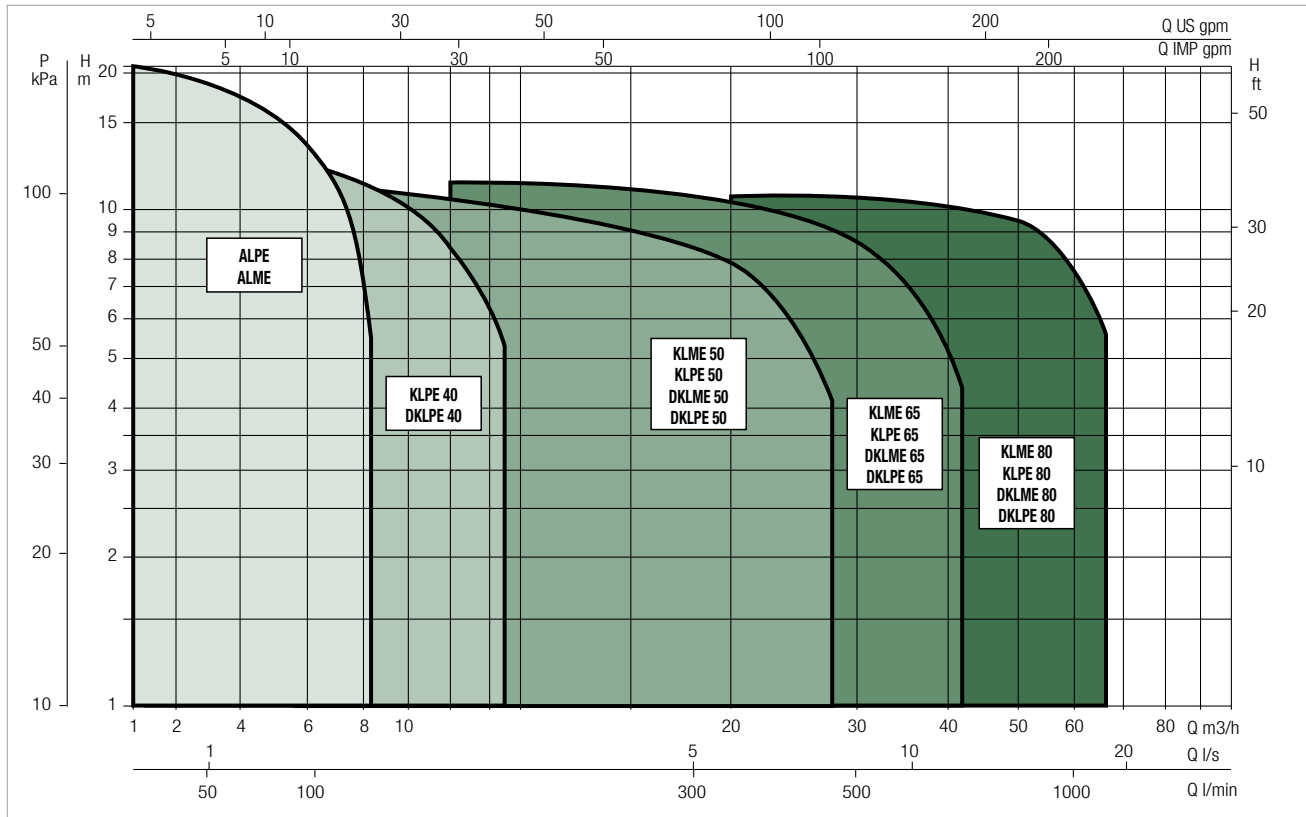
ELECTRIC IN-LINE PUMPS

ELECTRONIC IN-LINE PUMPS FOR CIRCULATION SYSTEMS

PERFORMANCE RANGE

The performance curves are based on kinematic viscosity values = 1 mm²/s and density equal to 1000 kg/m³. Curve tolerance according to ISO 9906.

GRAPHIC SELECTION TABLE



MODEL	Q=m ³ h	0	4,8	6	7,2	8,4	9,6	12	18
	Q=l/min	0	80	100	120	140	160	200	300
KLPE 40- 600 M MCE11/C	H (m)	8,2	7,8	7,4	6,9	6,3	5,7	4	
KLPE 40-1200 M MCE11/C		13,7	13,2	12,6	11,9	11,2	10,4	8,4	
KLPE 40-1800 M MCE11/C		18,9	17,8	17,4	17	16,5	16	14,6	9,9

MODEL	Q=m ³ h	0	4,8	6	7,2	8,4	9,6	12	14,4	16,8	18	24	30	36
	Q=l/min	0	80	100	120	140	160	200	240	280	300	400	500	600
DKLPE 40- 600 M MCE11/C	H (m)	8,2	7,2	6,7	6	5,4	4,7	2,9						
DKLPE 40-1200 M MCE11/C		13,6	11,8	11	10,3	9,4	8,5	6,4						
DKLPE 40-1800 M MCE11/C		19,2	18,7	18,4	18,2	17,9	17,6	16,9	16,2	15,5	15,1	12,4	8,7	4,9

MODEL	Q=m ³ h	0	4,8	6	7,2	8,4	9,6	12	18	30	36
	Q=l/min	0	80	100	120	140	160	200	300	500	600
KLME 50-600 M MCE11/C	H (m)	5,4	5,2	4,9	4,7	4,5	4,3	3,8	2		
KLPE 50-1200 M MCE11/C		12			11,8	11,6	11	10,5	8,6		
KLPE 50-2000 M MCE15/C		23,4	23,2	23,2	23,1	22,9	22,8	22,4	20,6	15,2	12

KLME / KLPE / DKLME / DKLPE

ELECTRONIC IN-LINE PUMPS FOR CIRCULATION SYSTEMS

SELECTION TABLE - KLME / KLPE - DKLME / DKLPE

MODEL	Q=m ³ h	0	4,8	6	7,2	8,4	9,6	12	14,4	16,8	18	24	30	36	48	60
	Q=l/min	0	80	100	120	140	160	200	240	280	300	400	500	600	800	1000
DKLME 50-600 M MCE11/C	H (m)	5,4	4,7	4,4	4,2	3,8	3,5	2,8	2	1,2						
DKLPE 50-1200 M MCE11/C		12		11	10,5	10,2	9,8	9	8	7	6,4	3,3				
DKLPE 50-2000 M MCE15/C		23,6	23,4	23,3	23,2	23,1	23,0	22,8	22,6	22,3	22,1	21,1	19,8	18,2	13,6	8

MODEL	Q=m ³ h	0	4,8	6	7,2	8,4	9,6	12	18	30	36	48
	Q=l/min	0	80	100	120	140	160	200	300	500	600	800
KLME 65-600 M MCE11/C	H (m)	5,5					5,3	5	4,7	3,8		
KLPE 65-1200 M MCE11/C		12							11,6	11	8,8	6,7
KLPE 65-2000 M MCE30/C		20,6	20,7	20,7	20,7	20,7	20,7	20,7	20,6	19,9	17,2	15,1

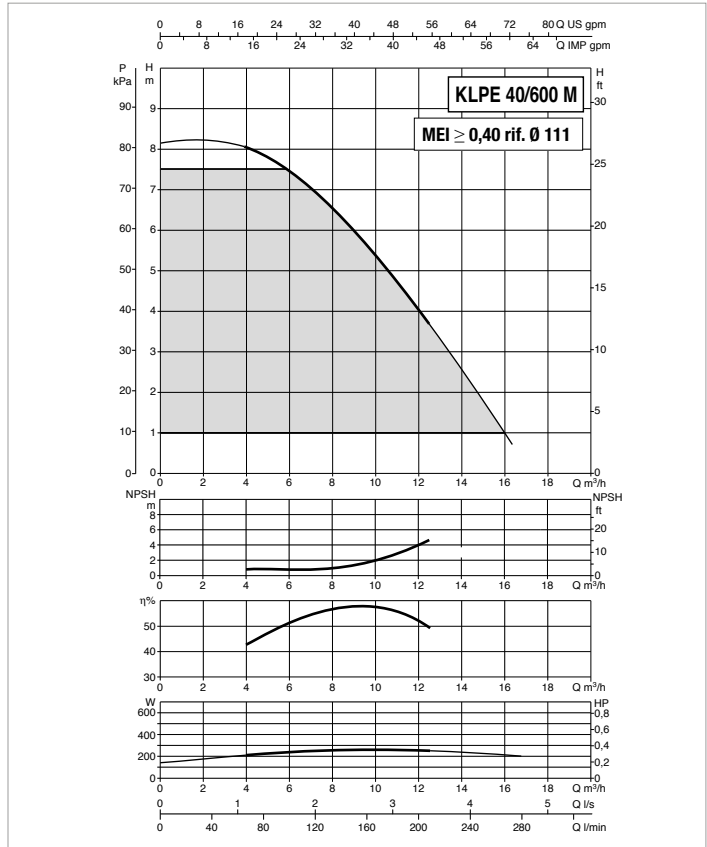
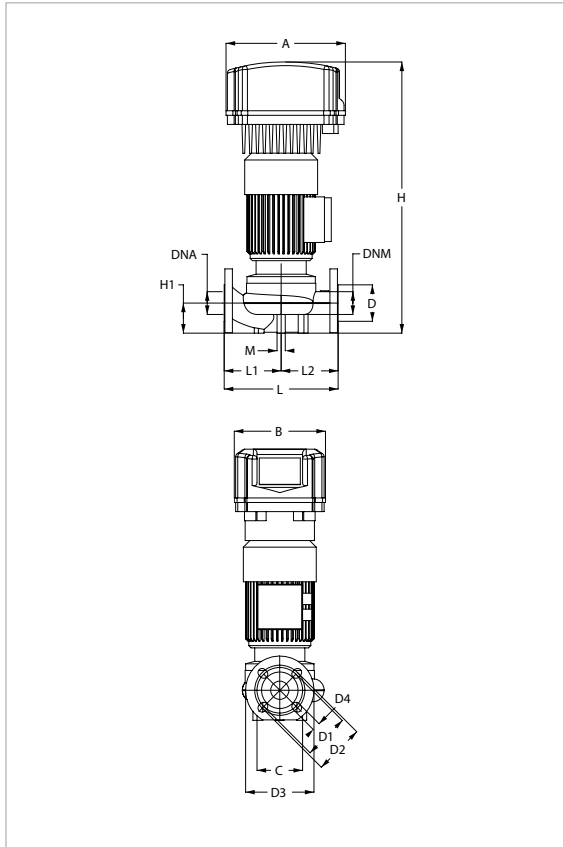
MODEL	Q=m ³ h	0	4,8	6	7,2	8,4	9,6	12	14,4	16,8	18	24	30	36	48	60	72	84
	Q=l/min	0	80	100	120	140	160	200	240	280	300	400	500	600	800	1000	1200	1400
DKLME 65-600 M MCE11/C	H (m)	5,5				4,7	4,5	4,1	3,8	3,4	3,2	2						
DKLPE 65-1200 M MCE11/C		12						11	10,6	10,2	10	8,6	7	4,8				
DKLPE 65-2000 M MCE30/C		20,5	20,5	20,5	20,4	20,4	20,4	20,3	20,2	20,2	20,1	19,8	19,5	18,9	17	14,3	11,1	7,6

MODEL	Q=m ³ h	0	4,8	6	7,2	8,4	9,6	12	18	30	36	48	60	72	84
	Q=l/min	0	80	100	120	140	160	200	300	500	600	800	1000	1200	1400
KLME 80-600 M MCE11/C	H (m)	5,7							5,7	5	4,3	2,5	5,7		
KLPE 80-1200 M MCE15/C		11,8								11,5	11	9,7			
KLPE 80-2000 T MCE30/C		20,7	21	21	21,1	21,2	21,2	21,3	21,3	21	20,6	19,4	17,5	14,9	11,4

MODEL	Q=m ³ h	0	4,8	6	7,2	8,4	9,6	12	14,4	16,8	18	24	30	36	48	60	72	84	108
	Q=l/min	0	80	100	120	140	160	200	240	280	300	400	500	600	800	1000	1200	1400	1800
DKLME 80-600 M MCE11/C	H (m)	5,7							5,4	5,2	5,1	4,6	3,9	3	5	4,3	2,5		
DKLPE 80-1200 M MCE15/C		11,8										10,4	9,7	8,7	6,4	3,9	9,7		
DKLPE 80-2000 T MCE30/C		20,5	20,7	20,7	20,8	20,8	20,8	20,8	20,7	20,7	20,7	20,5	20,4	20,2	19,8	19,2	18,2	16,9	13,5

KLPE 40 - IN-LINE ELECTRIC PUMPS FOR HEATING, AIR CONDITIONING, REFRIGERATION, SOLAR, AND SANITARY SYSTEMS - SINGLE, FLANGED, WITH MCE/C INVERTER

Pumped liquid temperature range: from -15 °C to +120 °C - Maximum ambient temperature: +40°C



The MEI values for inverter controlled pumps refer to similar versions without electronics

The performance curves are based on kinematic viscosity values = 1 mm²/s and density equal to 1000 kg/m³. Curve tolerance according to ISO 9906.

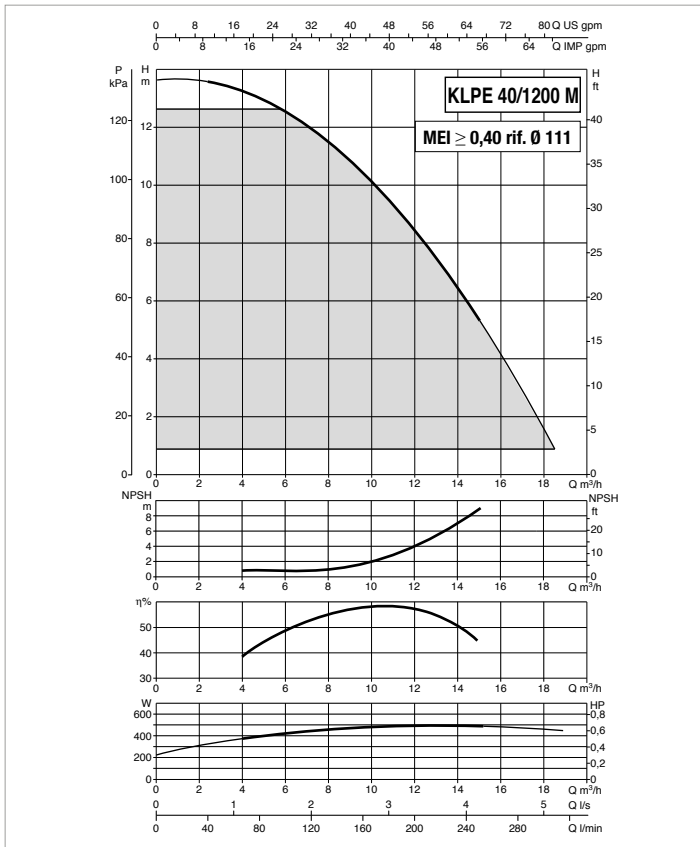
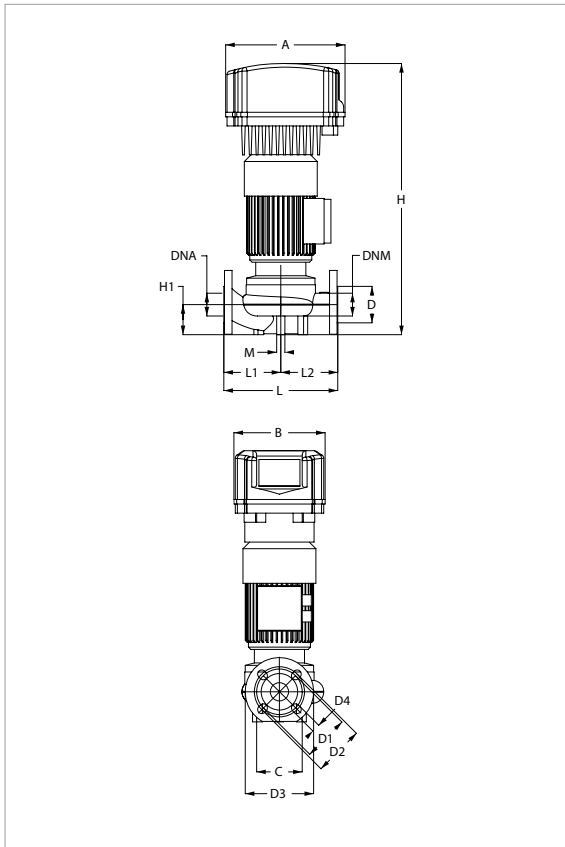
MODEL	ELECTRICAL DATA						
	POWER INPUT 50-60 Hz	MOTOR TYPE	n.r.p.m.	P1 MAX W	P2 NOMINAL		In A
					kW	HP	
KLPE 40-600 M MCE11/C *	1x220-240 V ~	2 poles	2950	0,37	0,37	0,50	4,3

* ΔP-v proportional differential pressure adjustment mode also available.

MODEL	A	B	B1	B2	C	D	D1	D2	D3	D4	H	H1	I	L	L1	L2	M	DNA GAS	DNM GAS	MODEL			VOLUME (m ³)	WEIGHT kg
	L/A	L/B	H																					
KLPE 40-600 M MCE11/C	262	200	-	-	100	80	100	110	150	4 HOLES 18x23	603	66	-	250	125	125	2 HOLES M10	40	40	500	270	660	0,09	26

KLPE 40 - IN-LINE ELECTRIC PUMPS FOR HEATING, AIR CONDITIONING, REFRIGERATION, SOLAR, AND SANITARY SYSTEMS - SINGLE, FLANGED, WITH MCE/C INVERTER

Pumped liquid temperature range: from -15 °C to +120 °C - Maximum ambient temperature: +40°C



The MEI values for inverter controlled pumps refer to similar versions without electronics

The performance curves are based on kinematic viscosity values = 1 mm²/s and density equal to 1000 kg/m³. Curve tolerance according to ISO 9906.

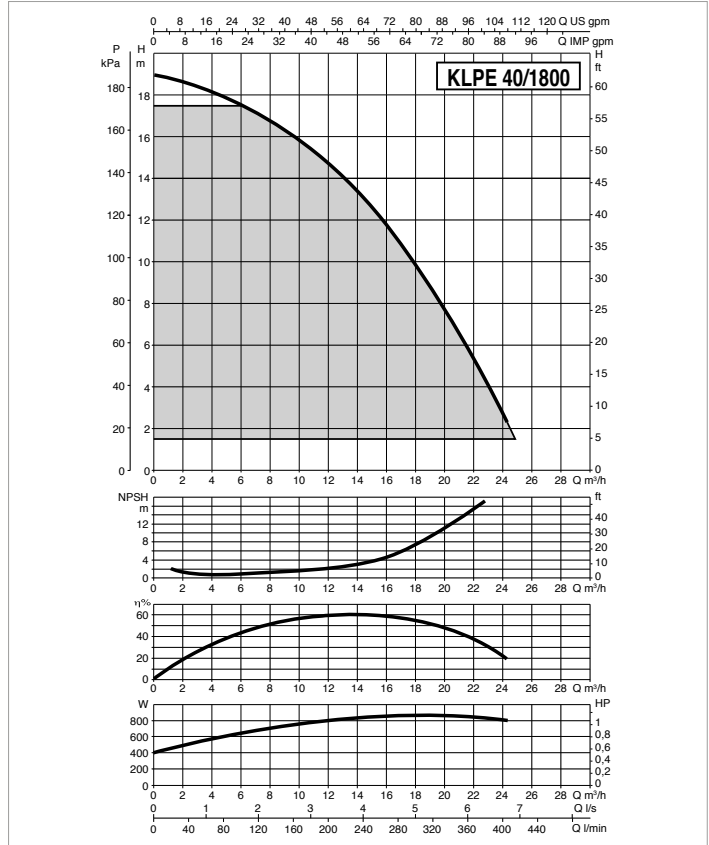
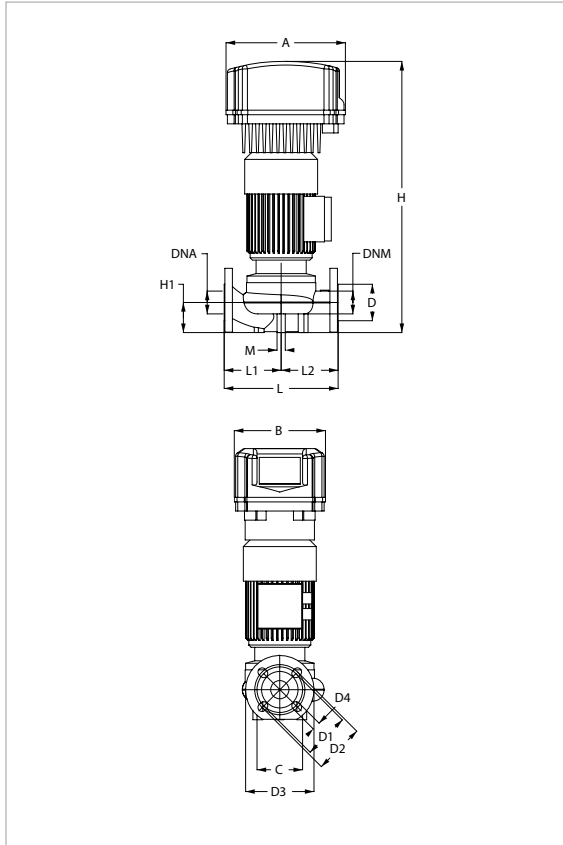
MODEL	ELECTRICAL DATA						
	POWER INPUT 50-60 Hz	MOTOR TYPE	n.r.p.m.	P1 MAX W	P2 NOMINAL		In A
					kW	HP	
KLPE 40-1200 M MCE11/C *	1x220-240 V ~	2 poles	2890	0,63	0,55	0,75	6,0

* ΔP-v proportional differential pressure adjustment mode also available.

MODEL	A	B	B1	B2	C	D	D1	D2	D3	D4	H	H1	I	L	L1	L2	M	DNA GAS	DNM GAS	MODEL			VOLUME (m ³)	WEIGHT kg
	L/A	L/B	H	L/A	L/B	H																		
KLPE 40-1200 M MCE11/C *	262	200	-	-	100	80	100	110	150	4 HOLES 18x23	603	66	-	250	125	125	2 HOLES M10	40	40	500	270	660	0,09	26

KLPE 40 - IN-LINE ELECTRIC PUMPS FOR HEATING, AIR CONDITIONING, REFRIGERATION, SOLAR, AND SANITARY SYSTEMS - SINGLE, FLANGED, WITH MCE/C INVERTER

Pumped liquid temperature range: from -15 °C to +120 °C - Maximum ambient temperature: +40°C



The MEI values for inverter controlled pumps refer to similar versions without electronics

The performance curves are based on kinematic viscosity values = 1 mm²/s and density equal to 1000 kg/m³. Curve tolerance according to ISO 9906.

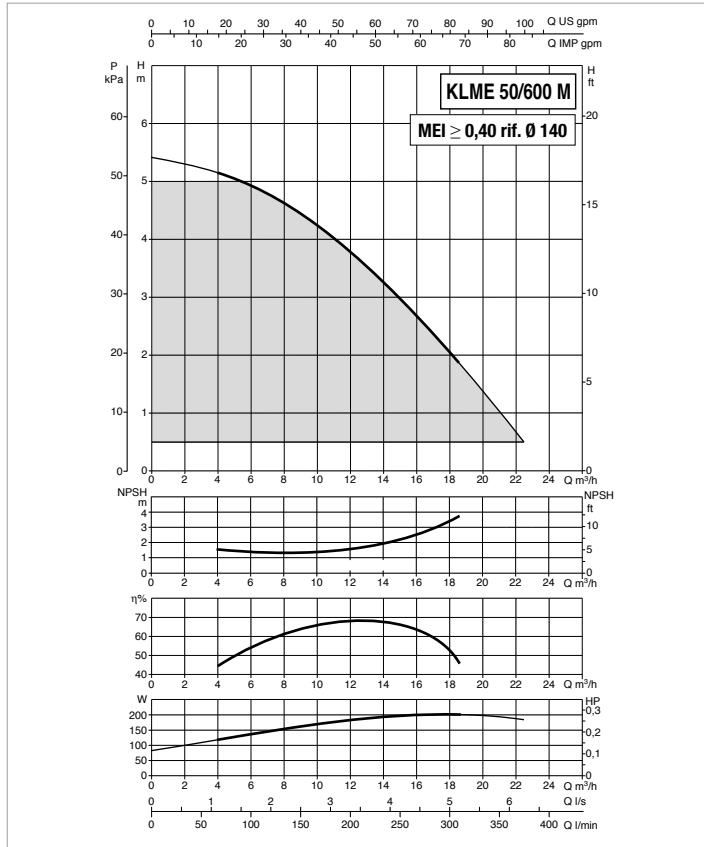
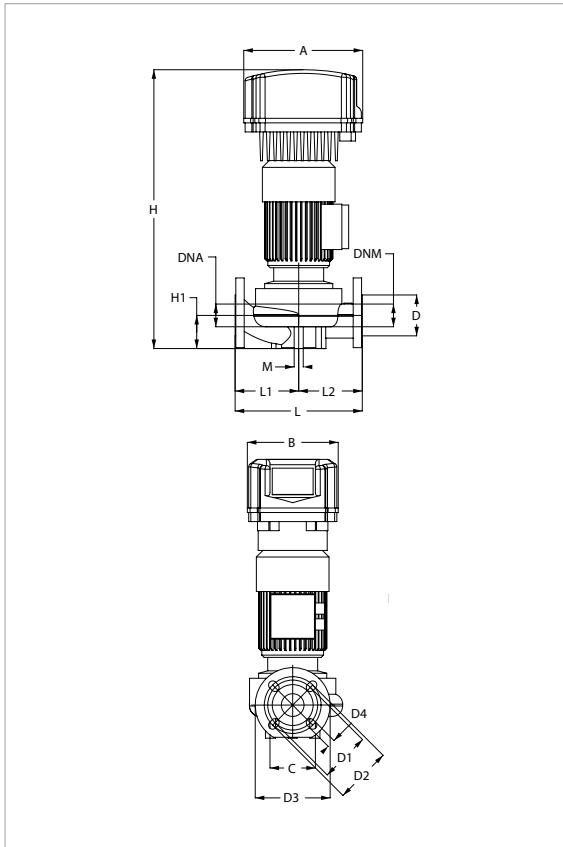
MODEL	ELECTRICAL DATA						
	POWER INPUT 50-60 Hz	MOTOR TYPE	n.r.p.m.	P1 MAX W	P2 NOMINAL		In A
					kW	HP	
KLPE 40- 1800 M MCE11/C *	1x220-240 V ~	2 poli	2950	0,37	0,85	1,2	5,8

* ΔP-v proportional differential pressure adjustment mode also available.

MODEL	A	B	B1	B2	C	D	D1	D2	D3	D4	H	H1	I	L	L1	L2	M	DNA GAS	DNM GAS	MODEL			VOLUME (m ³)	WEIGHT kg
	L/A	L/B	H	L/A	L/B	H																		
KLPE 40- 1800 M MCE11/C	262	200	-	-	100	80	100	110	195	4 HOLES 18x23	602	66	-	250	125	125	2 HOLES M10	40	40	500	270	660	0,09	28

KLME / KLPE 50 - IN-LINE ELECTRIC PUMPS FOR HEATING, AIR CONDITIONING, REFRIGERATION, SOLAR, AND SANITARY SYSTEMS - SINGLE, FLANGED, WITH MCE/C INVERTER

Pumped liquid temperature range: from -15 °C to +120 °C - Maximum ambient temperature: +40°C



The MEI values for inverter controlled pumps refer to similar versions without electronics

The performance curves are based on kinematic viscosity values = 1 mm²/s and density equal to 1000 kg/m³. Curve tolerance according to ISO 9906.

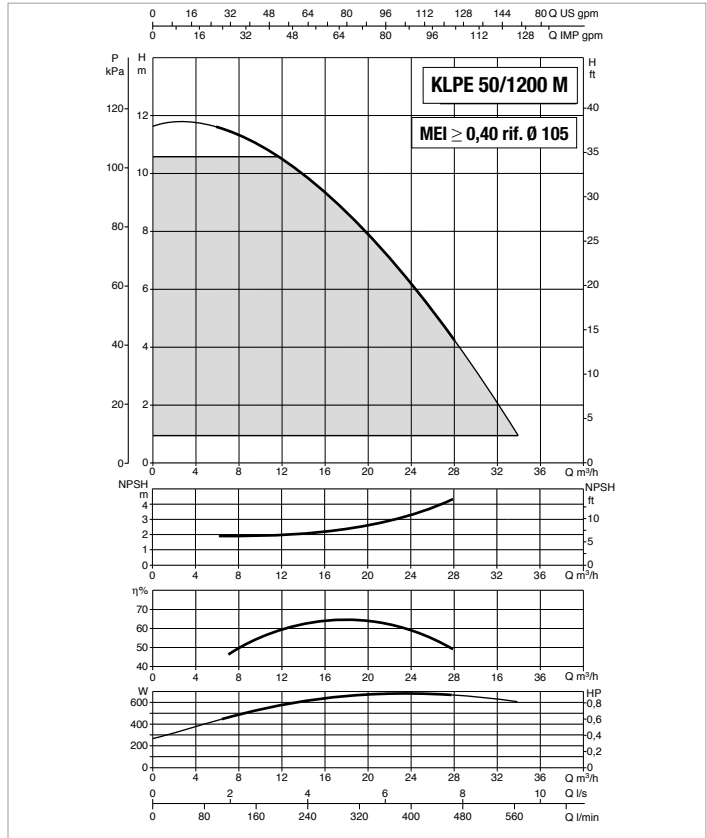
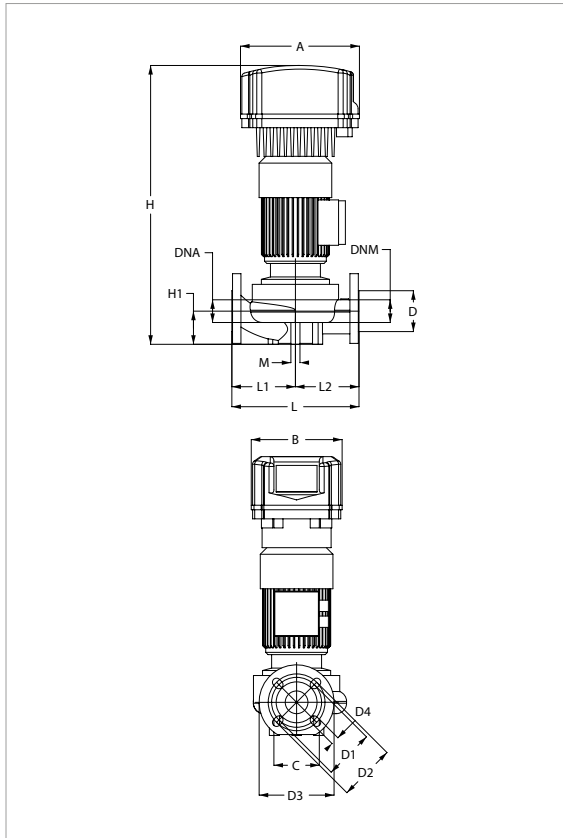
MODEL	ELECTRICAL DATA						
	POWER INPUT 50-60 Hz	MOTOR TYPE	n.r.p.m.	P1 MAX W	P2 NOMINAL		In A
					kW	HP	
KLME 50-600 M MCE11/C *	1x220-240 V ~	4 poles	1340	0,34	0,25	0,33	4,1

* ΔP-v proportional differential pressure adjustment mode also available.

MODEL	A	B	B1	B2	C	D	D1	D2	D3	D4	H	H1	I	L	L1	L2	M	DNA GAS	DNM GAS	PACKING DIMENSIONS			VOLUME (m ³)	WEIGHT kg
																				L/A	L/B	H		
KLME 50-600 M MCE11/C	262	200	-	-	100	90	110	125	165	4 HOLES 18x23	622	73	-	280	140	140	2 HOLES M10	50	50	500	270	660	0,09	31

KLME / KLPE 50 - IN-LINE ELECTRIC PUMPS FOR HEATING, AIR CONDITIONING, REFRIGERATION, SOLAR, AND SANITARY SYSTEMS - SINGLE, FLANGED, WITH MCE/C INVERTER

Pumped liquid temperature range: from -15 °C to +120 °C - Maximum ambient temperature: +40°C



The MEI values for inverter controlled pumps refer to similar versions without electronics

The performance curves are based on kinematic viscosity values = 1 mm²/s and density equal to 1000 kg/m³. Curve tolerance according to ISO 9906.

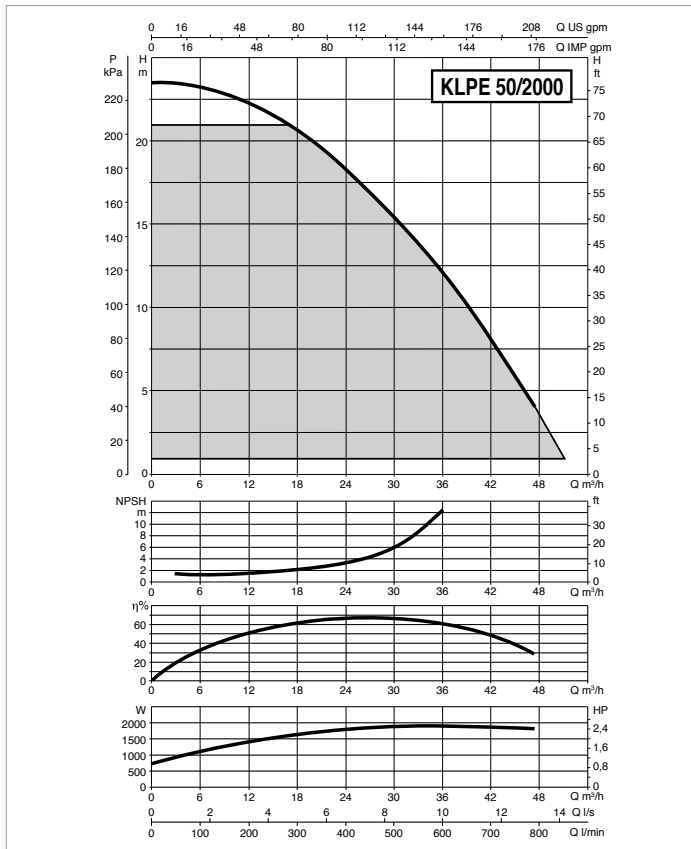
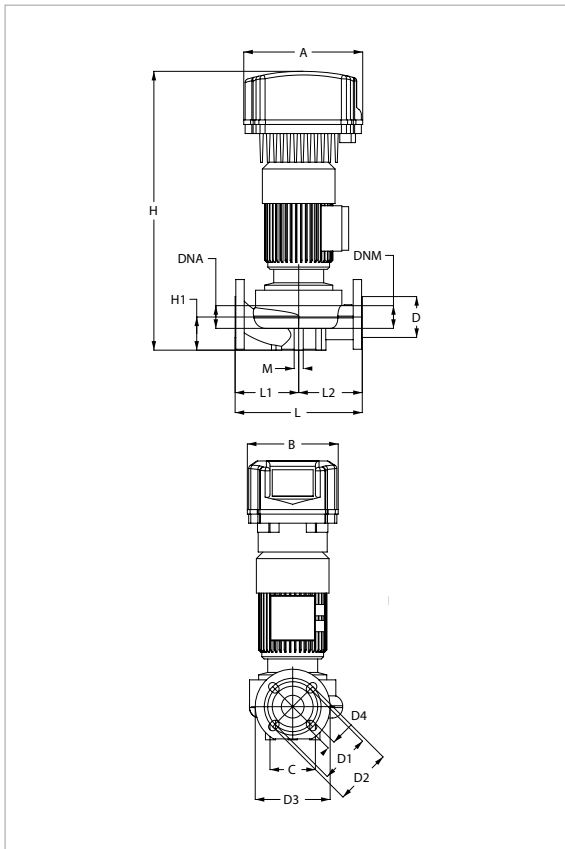
MODEL	ELECTRICAL DATA						
	POWER INPUT 50-60 Hz	MOTOR TYPE	n.r.p.m.	P1 MAX W	P2 NOMINAL		In A
					kW	HP	
KLPE 50-1200 M MCE11/C *	1x220-240 V ~	2 poles	2890	0,90	0,75	1,00	7,7

* ΔP-v proportional differential pressure adjustment mode also available.

MODEL	A	B	B1	B2	C	D	D1	D2	D3	D4	H	H1	I	L	L1	L2	M	DNA GAS	DNM GAS	PACKING DIMENSIONS			VOLUME (m ³)	WEIGHT kg
																				L/A	L/B	H		
KLPE 50-1200 M MCE11/C	262	200	-	-	100	90	110	125	165	4 HOLES 18X23	622	73	-	280	140	140	2 HOLES M10	50	50	500	270	660	0,09	33

KLME / KLPE 50 - IN-LINE ELECTRIC PUMPS FOR HEATING, AIR CONDITIONING, REFRIGERATION, SOLAR, AND SANITARY SYSTEMS - SINGLE, FLANGED, WITH MCE/C INVERTER

Pumped liquid temperature range: from -15 °C to +120 °C - Maximum ambient temperature: +40°C



The MEI values for inverter controlled pumps refer to similar versions without electronics

The performance curves are based on kinematic viscosity values = 1 mm²/s and density equal to 1000 kg/m³. Curve tolerance according to ISO 9906.

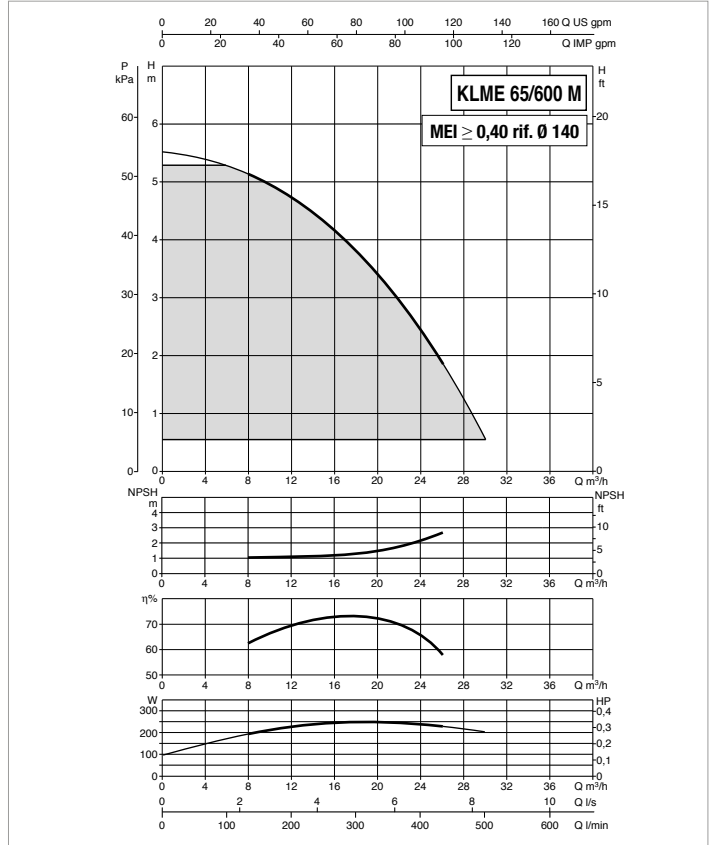
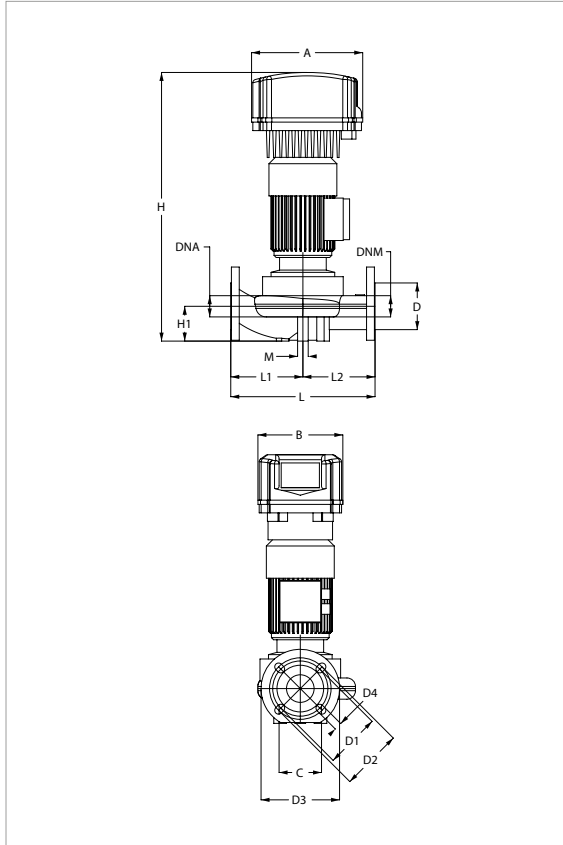
MODEL	ELECTRICAL DATA						
	POWER INPUT 50-60 Hz	MOTOR TYPE	n.r.p.m.	P1 MAX W	P2 NOMINAL		In A
					kW	HP	
KLPE 50-2000 M MCE15/C *	1x220-240 V ~	2 poli	1340	0,34	1,83	2,5	12,8

* ΔP-v proportional differential pressure adjustment mode also available.

MODEL	A	B	B1	B2	C	D	D1	D2	D3	D4	H	H1	I	L	L1	L2	M	DNA GAS	DNM GAS	PACKING DIMENSIONS			VOLUME (m ³)	WEIGHT kg
																				L/A	L/B	H		
KLPE 50-2000 M MCE15/C	262	200	-	-	100	90	110	125	165	4 HOLES 18x25,5	628	73	-	280	140	140	2 HOLES M12	50	50	500	270	660	0,09	41

KLME / KLPE 65 - IN-LINE ELECTRIC PUMPS FOR HEATING, AIR CONDITIONING, REFRIGERATION, SOLAR, AND SANITARY SYSTEMS - SINGLE, FLANGED, WITH MCE/C INVERTER

Pumped liquid temperature range: from -15 °C to +120 °C - Maximum ambient temperature: +40°C



The MEI values for inverter controlled pumps refer to similar versions without electronics

The performance curves are based on kinematic viscosity values = 1 mm²/s and density equal to 1000 kg/m³. Curve tolerance according to ISO 9906.

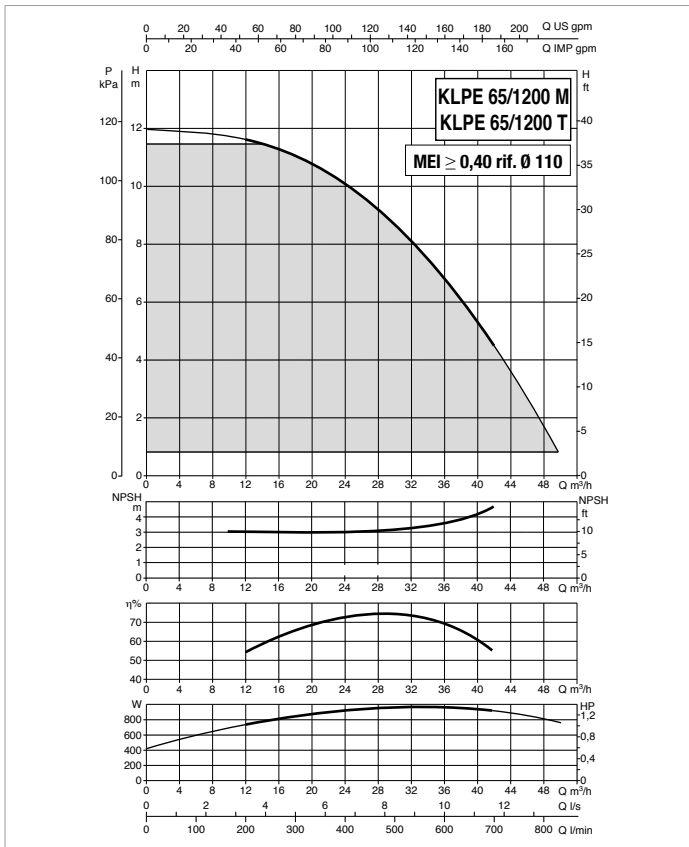
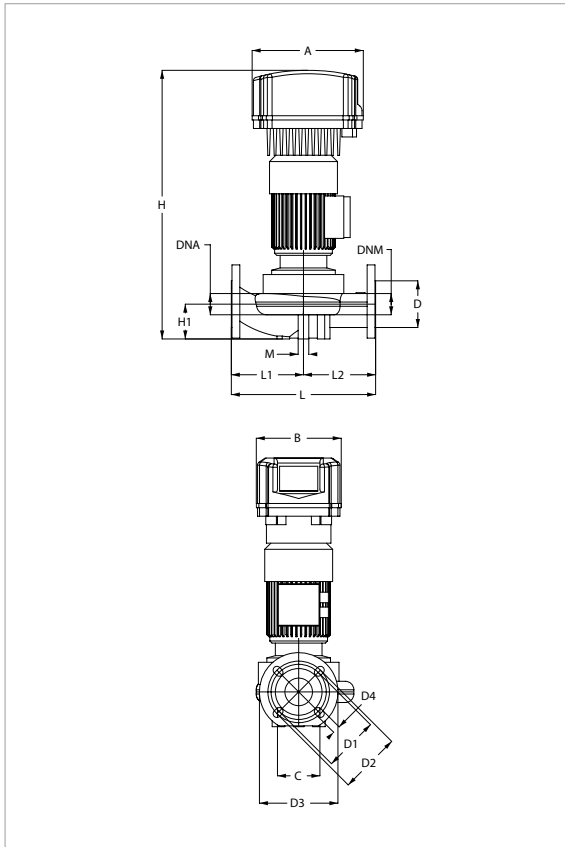
MODEL	ELECTRICAL DATA						
	POWER INPUT 50-60 Hz	MOTOR TYPE	n.r.p.m.	P1 MAX W	P2 NOMINAL		In A
					kW	HP	
KLME 65-600 M MCE11/C *	1x220-240 V ~	4 poles	1400	0,38	0,37	0,50	4,3

* ΔP-v proportional differential pressure adjustment mode also available.

MODEL	A	B	B1	B2	C	D	D1	D2	D3	D4	H	H1	I	L	L1	L2	M	DNA GAS	DNM GAS	PACKING DIMENSIONS			VOLUME (m ³)	WEIGHT kg
																				L/A	L/B	H		
KLME 65-600 M MCE11/C	262	200	-	-	100	110	130	145	185	4 HOLES 18x23	641	82	-	340	170	170	2 HOLES M12	65	65	500	270	660	0,09	37

KLME / KLPE 65 - IN-LINE ELECTRIC PUMPS FOR HEATING, AIR CONDITIONING, REFRIGERATION, SOLAR, AND SANITARY SYSTEMS - SINGLE, FLANGED, WITH MCE/C INVERTER

Pumped liquid temperature range: from -15 °C to +120 °C - Maximum ambient temperature: +40°C



The MEI values for inverter controlled pumps refer to similar versions without electronics

The performance curves are based on kinematic viscosity values = 1 mm²/s and density equal to 1000 kg/m³. Curve tolerance according to ISO 9906.

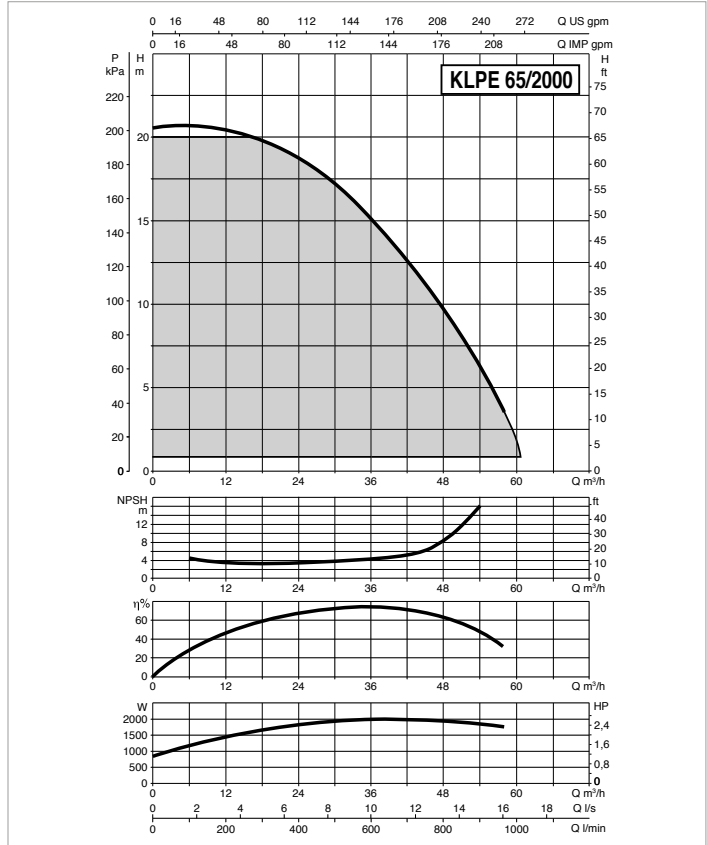
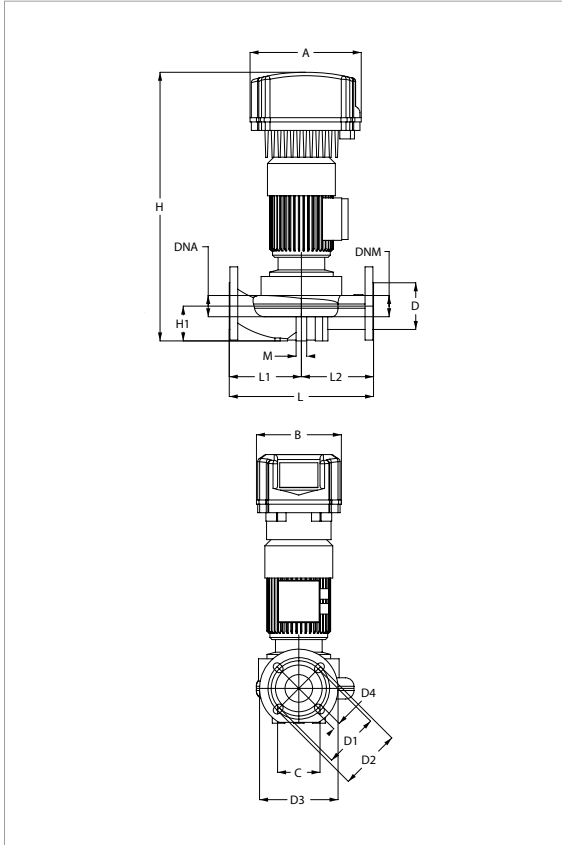
MODEL	ELECTRICAL DATA						
	POWER INPUT 50-60 Hz	MOTOR TYPE	n.r.p.m.	P1 MAX W	P2 NOMINAL		In A
					kW	HP	
KLPE 65-1200 M MCE11/C *	1x220-240 V ~	2 poles	2880	1,37	1,10	1,50	10,7
KLPE 65-1200 T MCE30/C	3x400 V ~	2 poles	2880	1,37	1,10	1,50	3,9

* ΔP-v proportional differential pressure adjustment mode also available.

MODEL	A	B	B1	B2	C	D	D1	D2	D3	D4	H	H1	I	L	L1	L2	M	DNA GAS	DNM GAS	PACKING DIMENSIONS			VOLUME (m ³)	WEIGHT kg
																				L/A	L/B	H		
KLPE 65-1200 M MCE11/C	262	200	-	-	100	110	130	145	185	4 HOLES 18x23	641	82	-	340	170	170	2 HOLES M12	65	65	500	270	660	0,09	43
KLPE 65-1200 T MCE30/C	353	286	-	-	100	110	130	145	185	4 HOLES 18x23	639	82	-	340	170	170	2 HOLES M12	65	65	680	430	825	0,24	58,9

KLME / KLPE 65 - IN-LINE ELECTRIC PUMPS FOR HEATING, AIR CONDITIONING, REFRIGERATION, SOLAR, AND SANITARY SYSTEMS - SINGLE, FLANGED, WITH MCE/C INVERTER

Pumped liquid temperature range: from -15 °C to +120 °C - Maximum ambient temperature: +40°C



The MEI values for inverter controlled pumps refer to similar versions without electronics

The performance curves are based on kinematic viscosity values = 1 mm²/s and density equal to 1000 kg/m³. Curve tolerance according to ISO 9906.

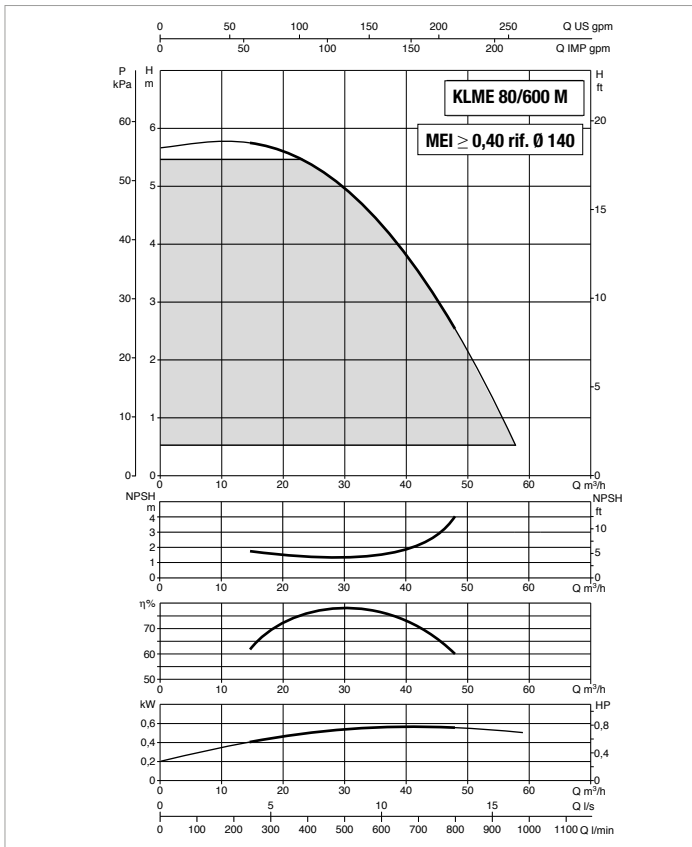
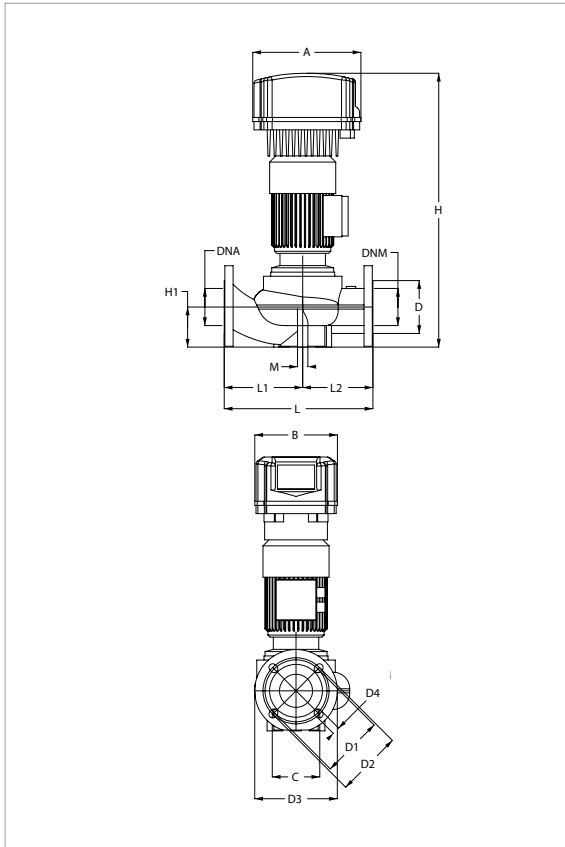
MODEL	ELECTRICAL DATA						
	POWER INPUT 50-60 Hz	MOTOR TYPE	n.r.p.m.	P1 MAX W	P2 NOMINAL		In A
					kW	HP	
KLPE 65-2000 M MCE22/C *	1x220-240 V ~	2 poli	2880	1,37	2	2,7	13,1
KLPE 65-2000 T MCE30/C	3x400 V ~	2 poli	2880	1,37	2	2,7	5,3

* ΔP-v proportional differential pressure adjustment mode also available.

MODEL	A	B	B1	B2	C	D	D1	D2	D3	D4	H	H1	I	L	L1	L2	M	DNA GAS	DNM GAS	PACKING DIMENSIONS			VOLUME (m ³)	WEIGHT kg
																				L/A	L/B	H		
KLPE 65-2000 M MCE22/C	262	200	-	-	100	110	130	145	185	4 HOLES	722	82	-	340	170	170	2 HOLES	65	65	500	270	660	0,09	47
KLPE 65-2000 T MCE30/C	352	267	-	-	100	110	130	145	185	18x25,5	719	82	-	340	170	170	M12	65	65	680	430	825	0,24	51

KLME / KLPE 80 - IN-LINE ELECTRIC PUMPS FOR HEATING, AIR CONDITIONING, REFRIGERATION, SOLAR, AND SANITARY SYSTEMS - SINGLE, FLANGED, WITH MCE/C INVERTER

Pumped liquid temperature range: from -15 °C to +120 °C - Maximum ambient temperature: +40°C



The MEI values for inverter controlled pumps refer to similar versions without electronics

The performance curves are based on kinematic viscosity values = 1 mm²/s and density equal to 1000 kg/m³. Curve tolerance according to ISO 9906.

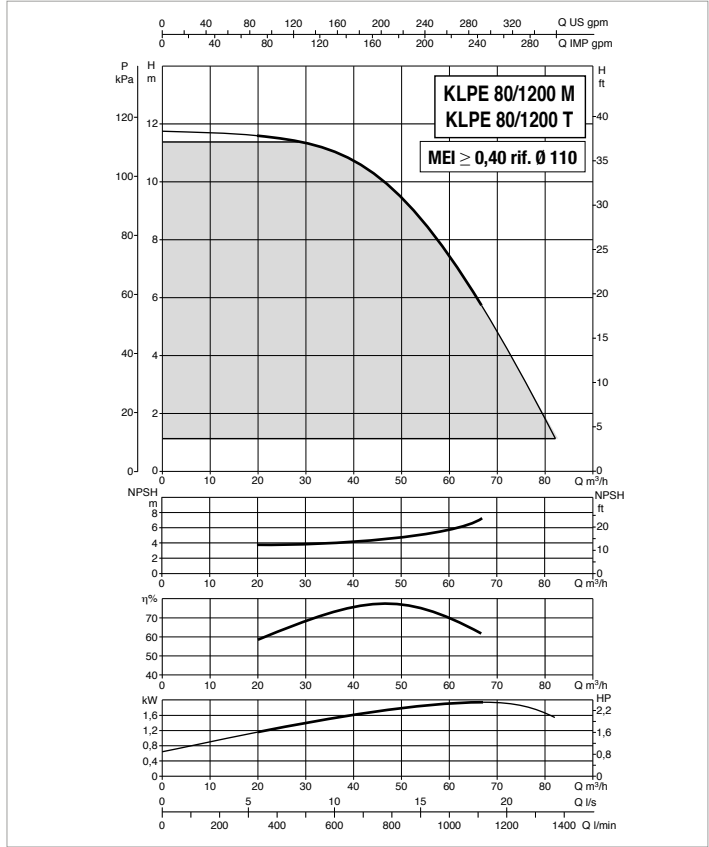
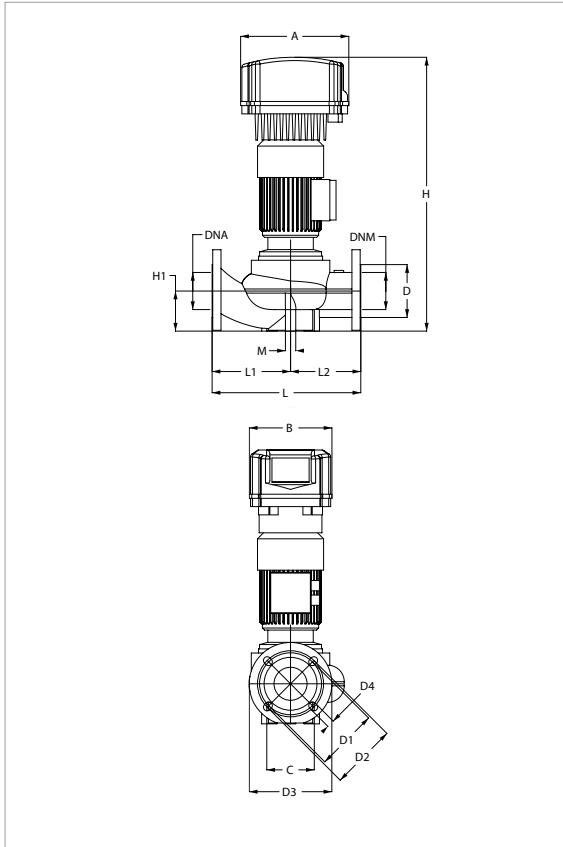
MODEL	ELECTRICAL DATA						
	POWER INPUT 50-60 Hz	MOTOR TYPE	n.r.p.m.	P1 MAX W	P2 NOMINAL		In A
					kW	HP	
KLME 80-600 M MCE11/C *	1x220-240 V ~	4 poles	1440	0,79	0,75	1,00	7,0

* ΔP-v proportional differential pressure adjustment mode also available.

MODEL	A	B	B1	B2	C	D	D1	D2	D3	D4	H	H1	I	L	L1	L2	M	DNA GAS	DNM GAS	PACKING DIMENSIONS			VOLUME (m ³)	WEIGHT kg
																				L/A	L/B	H		
KLME 80-600 M MCE11/C	262	200	-	-	115	128	150	160	200	4 HOLES 18X23	671	97	-	360	190	170	2 HOLES 12	80	80	520	400	710	0,15	47

KLME / KLPE 80 - IN-LINE ELECTRIC PUMPS FOR HEATING, AIR CONDITIONING, REFRIGERATION, SOLAR, AND SANITARY SYSTEMS - SINGLE, FLANGED, WITH MCE/C INVERTER

Pumped liquid temperature range: from -15 °C to +120 °C - Maximum ambient temperature: +40°C



The MEI values for inverter controlled pumps refer to similar versions without electronics

The performance curves are based on kinematic viscosity values = 1 mm²/s and density equal to 1000 kg/m³. Curve tolerance according to ISO 9906.

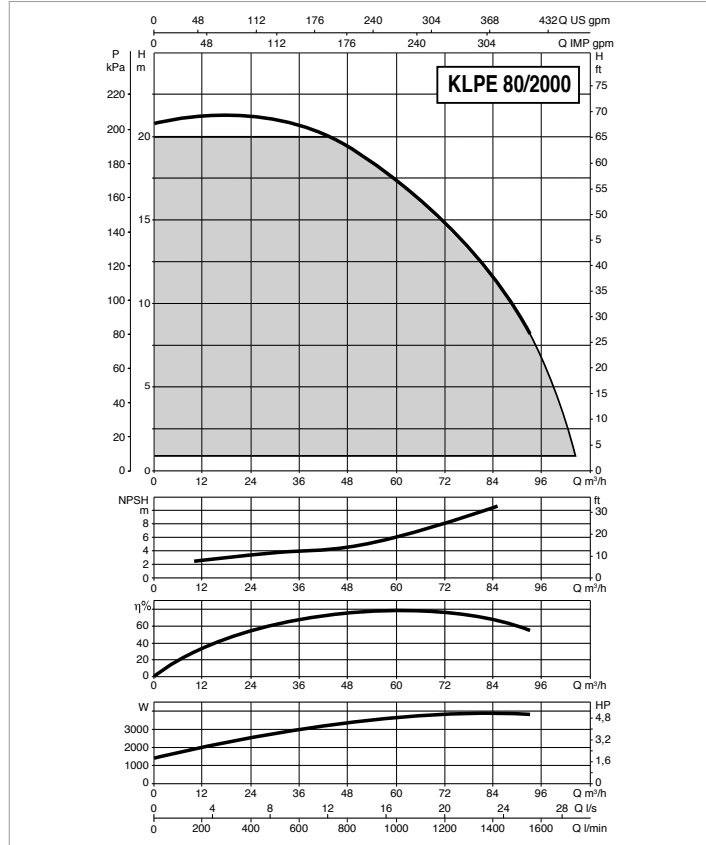
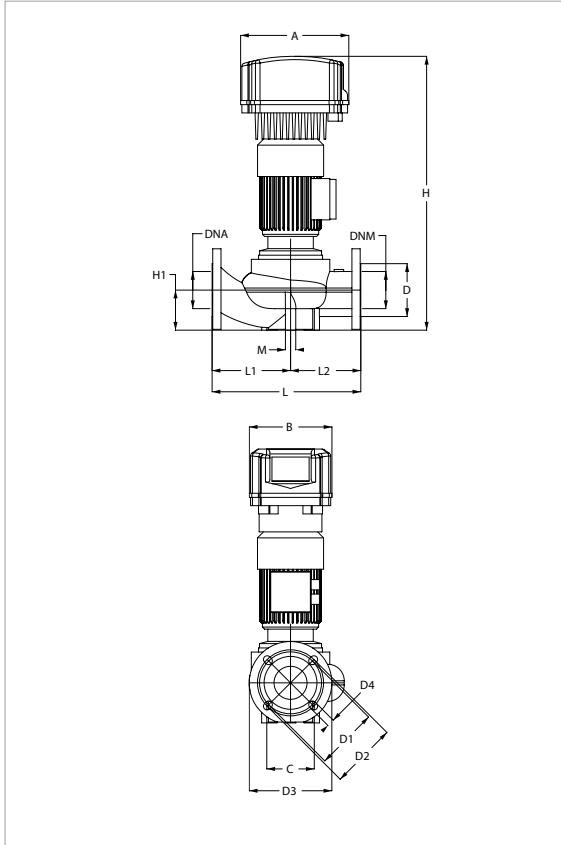
MODEL	ELECTRICAL DATA						
	POWER INPUT 50-60 Hz	MOTOR TYPE	n.r.p.m.	P1 MAX W	P2 NOMINAL		In A
					kW	HP	
KLPE 80-1200 M MCE15/C *	1x220-240 V ~	2 poles	2840	2,21	1,84	2,50	16,0
KLPE 80-1200 T MCE30/C	3x400 V ~	2 poles	2840	2,21	1,84	2,50	4,8

* ΔP-v proportional differential pressure adjustment mode also available.

MODEL	A	B	B1	B2	C	D	D1	D2	D3	D4	H	H1	I	L	L1	L2	M	DNA GAS	DNM GAS	PACKING DIMENSIONS			VOLUME (m ³)	WEIGHT kg
																				L/A	L/B	H		
KLPE 80-1200 M MCE15/C	262	200	-	-	115	128	150	160	200	4 HOLES 18x23	746	97	-	360	190	170	2 HOLES M12	80	80	520	400	710	0,15	47
KLPE 80-1200 T MCE30/C	353	286	-	-	115	128	150	160	200	18x23	743	97	-	360	190	170	M12	80	80	520	290	450	0,07	52,1

KLME / KLPE 80 - IN-LINE ELECTRIC PUMPS FOR HEATING, AIR CONDITIONING, REFRIGERATION, SOLAR, AND SANITARY SYSTEMS - SINGLE, FLANGED, WITH MCE/C INVERTER

Pumped liquid temperature range: from -15 °C to +120 °C - Maximum ambient temperature: +40°C



For the MEI index refer to the hydraulic data of the individual pump.

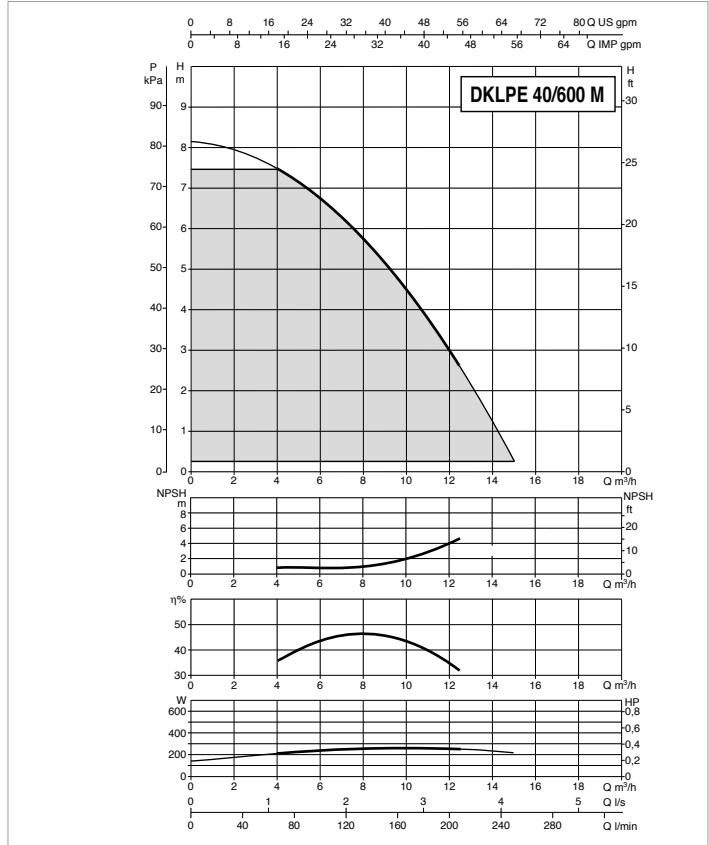
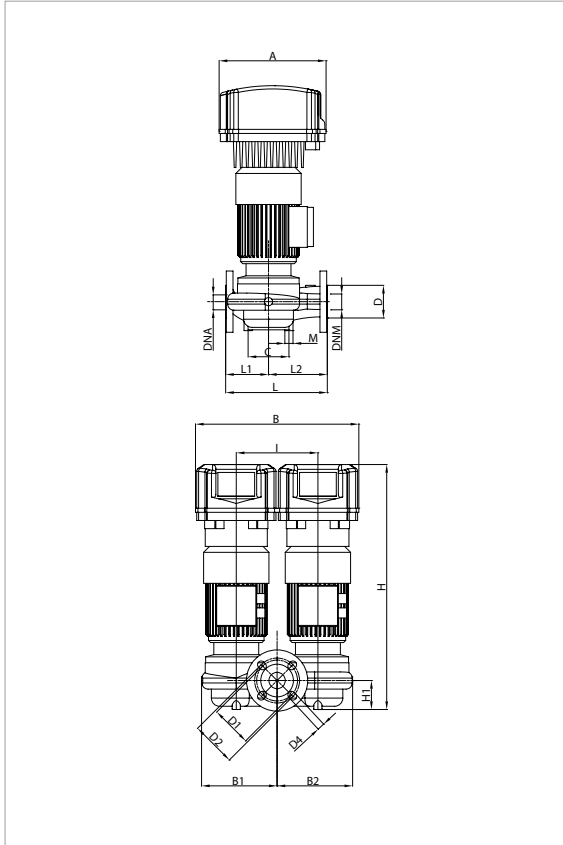
The performance curves are based on kinematic viscosity values = 1 mm²/s and density equal to 1000 kg/m³. Curve tolerance according to ISO 9906.

MODEL	ELECTRICAL DATA						
	POWER INPUT 50-60 Hz	MOTOR TYPE	n.r.p.m.	P1 MAX W	P2 NOMINAL		In A
					kW	HP	
KLPE 80-2000 T MCE55/C	3x400 V ~	2 poli	1440	0,79	3,67	5	9,1

MODEL	A	B	B1	B2	C	D	D1	D2	D3	D4	H	H1	I	L	L1	L2	M	DNA GAS	DNM GAS	PACKING DIMENSIONS			VOLUME (m ³)	WEIGHT kg
																				L/A	L/B	H		
KLPE 80-2000 T MCE55/C	352	267	-	-	115	128	150	160	200	4 HOLES 18x23	722	97	-	360	190	170	2 HOLES M12	80	80	520	290	450	0,07	60

DKLPE 40 - IN-LINE ELECTRIC PUMPS FOR HEATING, AIR CONDITIONING, REFRIGERATION, SOLAR, AND SANITARY SYSTEMS - TWIN, FLANGED, WITH MCE/C INVERTER

Pumped liquid temperature range: from -15 °C to +120 °C - Maximum ambient temperature: +40°C



For the MEI index refer to the hydraulic data of the individual pump.

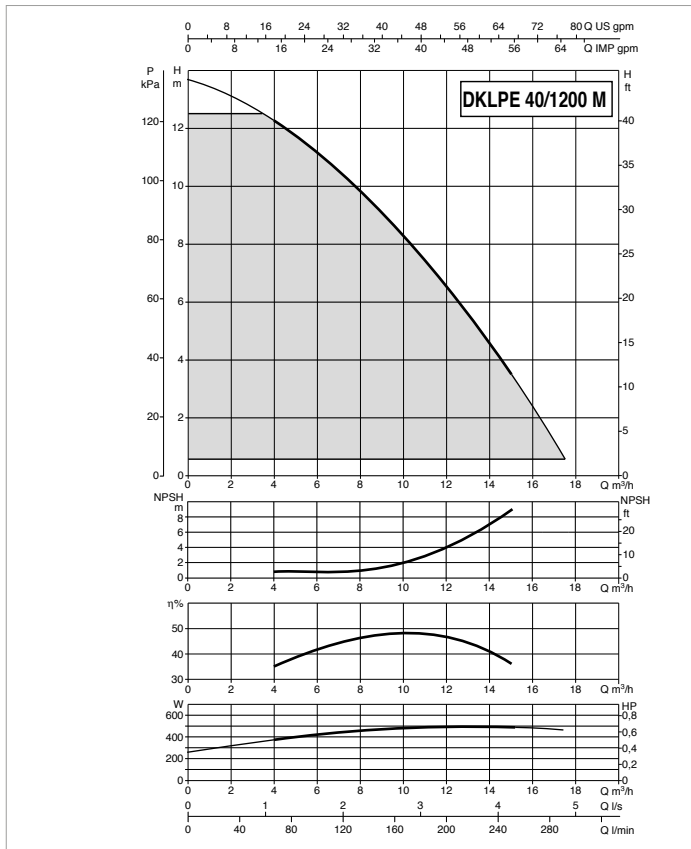
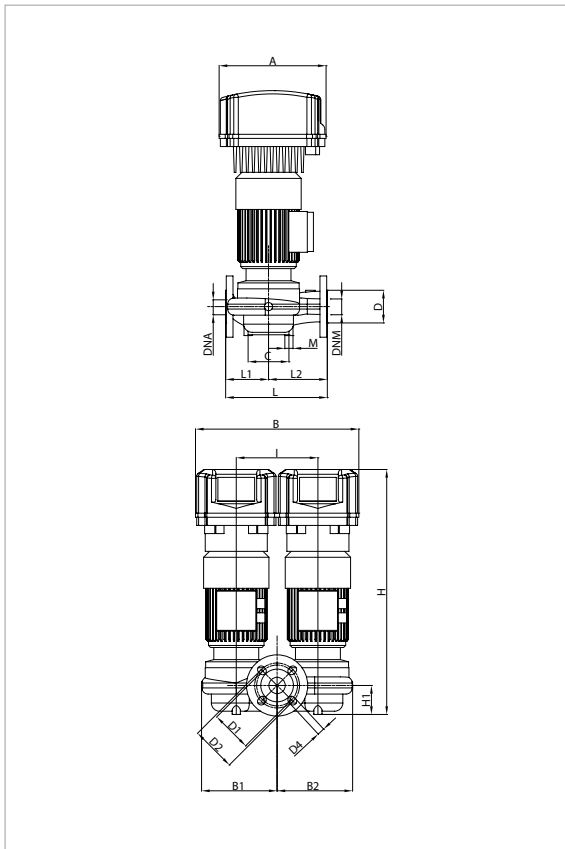
The performance curves are based on kinematic viscosity values = 1 mm²/s and density equal to 1000 kg/m³. Curve tolerance according to ISO 9906.

MODEL	ELECTRICAL DATA						
	POWER INPUT 50-60 Hz	MOTOR TYPE	n.r.p.m.	P1 MAX W	P2 NOMINAL		In A
					kW	HP	
DKLPE 40-600 M MCE11/C	1x220-240 V ~	2 poles	2950	0,37	0,37	0,50	4,3

MODEL	A	B	B1	B2	C	D	D1	D2	D3	D4	H	H1	I	L	L1	L2	M	DNA GAS	DNM GAS	PACKING DIMENSIONS			VOLUME (m ³)	WEIGHT kg
																				L/A	L/B	H		
DKLPE 40-600 M MCE11/C	262	400	185	187	100	80	100	110	150	4 HOLES 18x23	608	66	200	250	105	145	2 HOLES M14	40	40	500	270	660	0,09	56

DKLPE 40 - IN-LINE ELECTRIC PUMPS FOR HEATING, AIR CONDITIONING, REFRIGERATION, SOLAR, AND SANITARY SYSTEMS - TWIN, FLANGED, WITH MCE/C INVERTER

Pumped liquid temperature range: from -15 °C to +120 °C - Maximum ambient temperature: +40°C



For the MEI index refer to the hydraulic data of the individual pump.

The performance curves are based on kinematic viscosity values = 1 mm²/s and density equal to 1000 kg/m³. Curve tolerance according to ISO 9906.

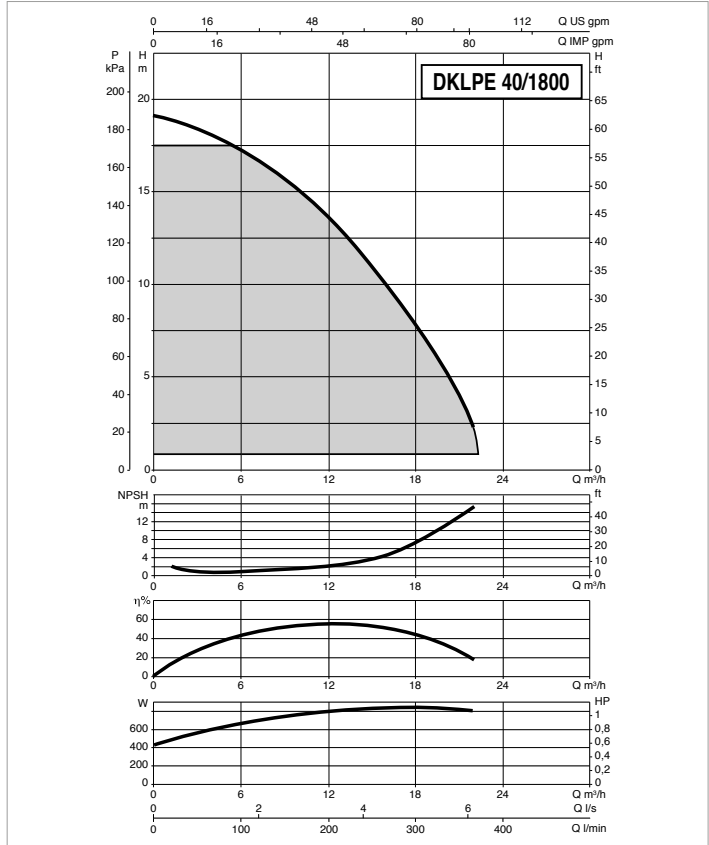
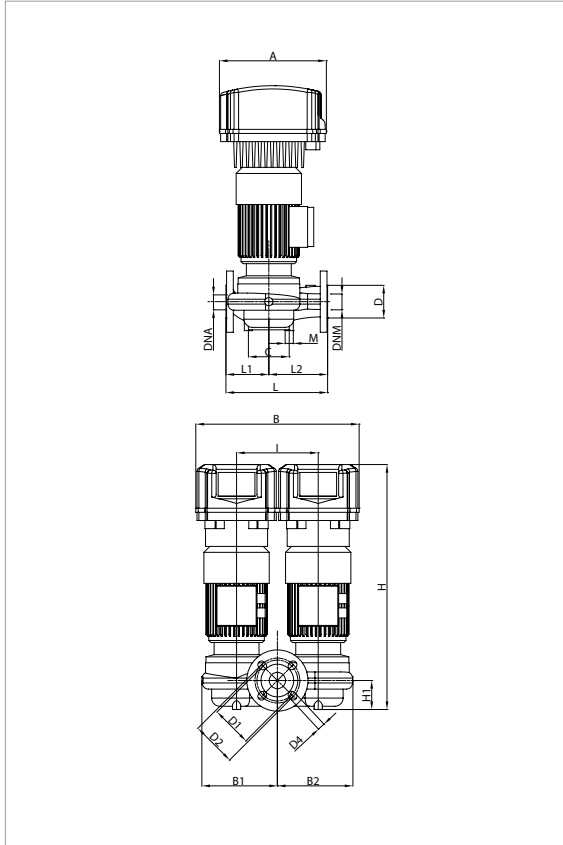
MODEL	ELECTRICAL DATA						
	POWER INPUT 50-60 Hz	MOTOR TYPE	n.r.p.m.	P1 MAX W	P2 NOMINAL		In A
					kW	HP	
DKLPE 40-1200 M MCE11/C *	1x220-240 V ~	2 poles	2890	0,63	0,55	0,75	6,0

* ΔP-v proportional differential pressure adjustment mode also available.

MODEL	A	B	B1	B2	C	D	D1	D2	D3	D4	H	H1	I	L	L1	L2	M	DNA GAS	DNM GAS	PACKING DIMENSIONS			VOLUME (m ³)	WEIGHT kg
																				L/A	L/B	H		
DKLPE 40-1200 M CE11/C	262	400	185	187	100	80	100	110	150	4 HOLES 18x23	608	66	200	250	105	145	2 HOLES M14	40	40	500	270	660	0,09	61

DKLPE 40 - IN-LINE ELECTRIC PUMPS FOR HEATING, AIR CONDITIONING, REFRIGERATION, SOLAR, AND SANITARY SYSTEMS - TWIN, FLANGED, WITH MCE/C INVERTER

Pumped liquid temperature range: from -15 °C to +120 °C - Maximum ambient temperature: +40°C



For the MEI index refer to the hydraulic data of the individual pump.

The performance curves are based on kinematic viscosity values = 1 mm²/s and density equal to 1000 kg/m³. Curve tolerance according to ISO 9906.

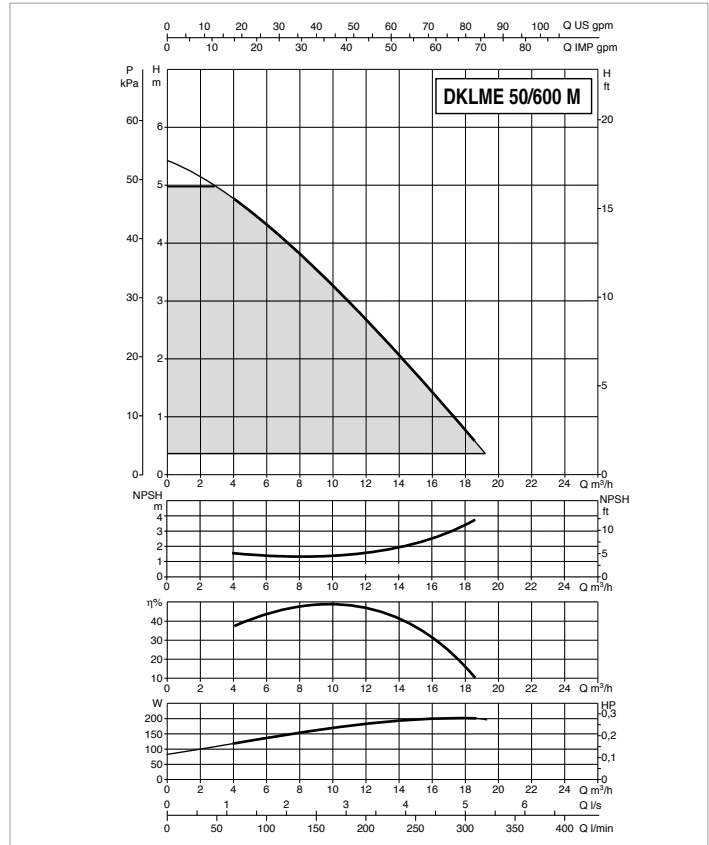
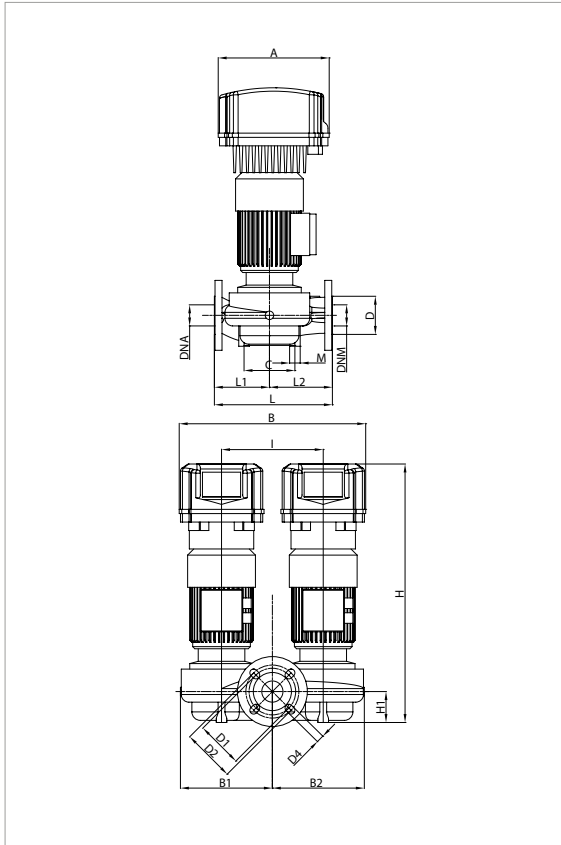
MODEL	ELECTRICAL DATA						
	POWER INPUT 50-60 Hz	MOTOR TYPE	n.r.p.m.	P1 MAX W	P2 NOMINAL		In A
					kW	HP	
DKLPE 40-1800 M MCE11/C *	1x220-240 V ~	2 poli	2890	0,63	0,85	1,2	5,8

* ΔP-v proportional differential pressure adjustment mode also available.

MODEL	A	B	B1	B2	C	D	D1	D2	D3	D4	H	H1	I	L	L1	L2	M	DNA GAS	DNM GAS	PACKING DIMENSIONS			VOLUME (m ³)	WEIGHT kg
																				L/A	L/B	H		
DKLPE 40-1800 M CE11/C	262	400	217	220	100	80	100	110	150	4 HOLES 18x23	602	66	220	250	115	135	4 HOLES M10	40	40	500	270	660	0,09	66

DKLME / DKLPE 50 - IN-LINE ELECTRIC PUMPS FOR HEATING, AIR CONDITIONING, REFRIGERATION, SOLAR, AND SANITARY SYSTEMS - TWIN, FLANGED, WITH MCE/C INVERTER

Pumped liquid temperature range: from -15 °C to +120 °C - Maximum ambient temperature: +40°C



For the MEI index refer to the hydraulic data of the individual pump.

The performance curves are based on kinematic viscosity values = 1 mm²/s and density equal to 1000 kg/m³. Curve tolerance according to ISO 9906.

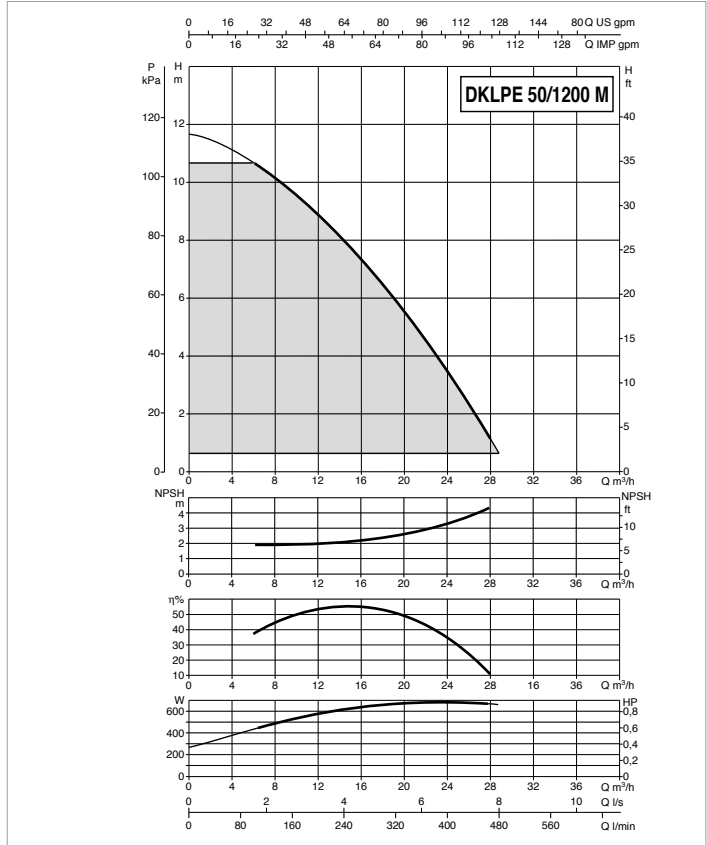
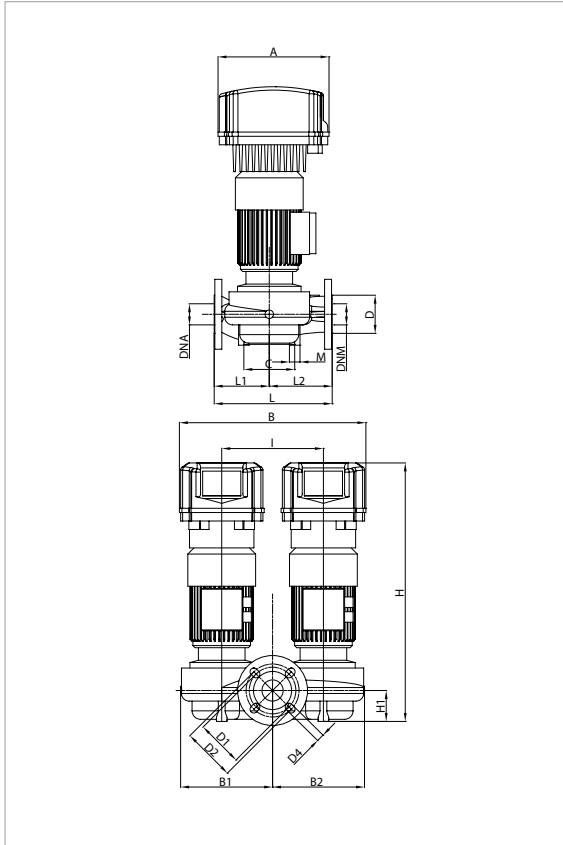
MODEL	ELECTRICAL DATA						
	POWER INPUT 50-60 Hz	MOTOR TYPE	n.r.p.m.	P1 MAX W	P2 NOMINAL		In A
					kW	HP	
DKLME 50-600 M MCE11/C	1x220-240 V ~	4 poles	1340	0,34	0,25	0,33	4,1

* ΔP-v proportional differential pressure adjustment mode also available.

MODEL	A	B	B1	B2	C	D	D1	D2	D3	D4	H	H1	I	L	L1	L2	M	DNA GAS	DNM GAS	PACKING DIMENSIONS			VOLUME (m ³)	WEIGHT kg
																				L/A	L/B	H		
DKLME 50-600 M MCE11/C	262	400	217	217	120	90	110	125	165	4 HOLES 18x23	622	73	200	280	130	150	2 HOLES M14	50	50	520	400	710	0,15	76

DKLME / DKLPE 50 - IN-LINE ELECTRIC PUMPS FOR HEATING, AIR CONDITIONING, REFRIGERATION, SOLAR, AND SANITARY SYSTEMS - TWIN, FLANGED, WITH MCE/C INVERTER

Pumped liquid temperature range: from -15 °C to +120 °C - Maximum ambient temperature: +40°C



For the MEI index refer to the hydraulic data of the individual pump.

The performance curves are based on kinematic viscosity values = 1 mm²/s and density equal to 1000 kg/m³. Curve tolerance according to ISO 9906.

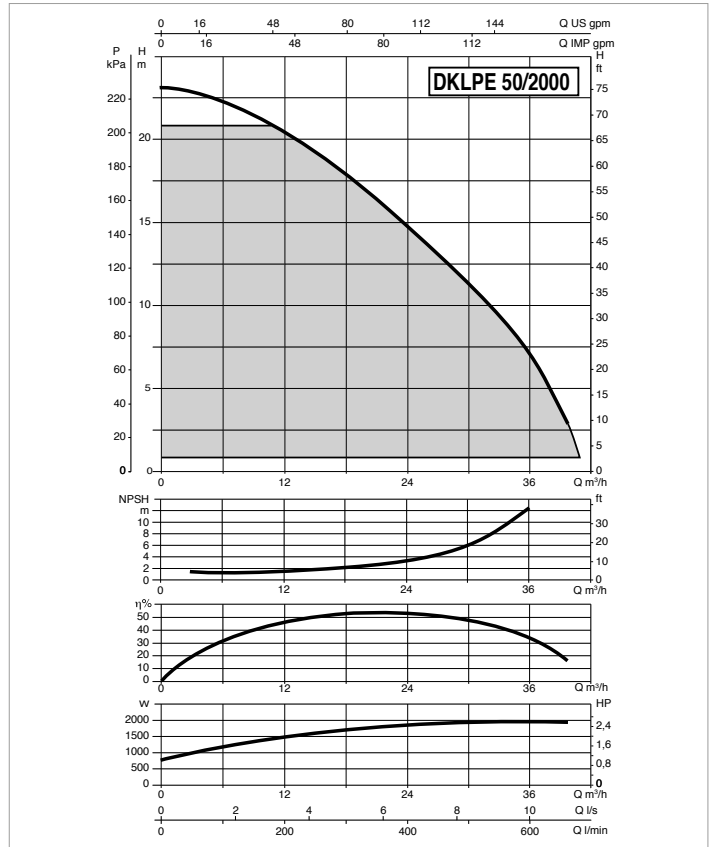
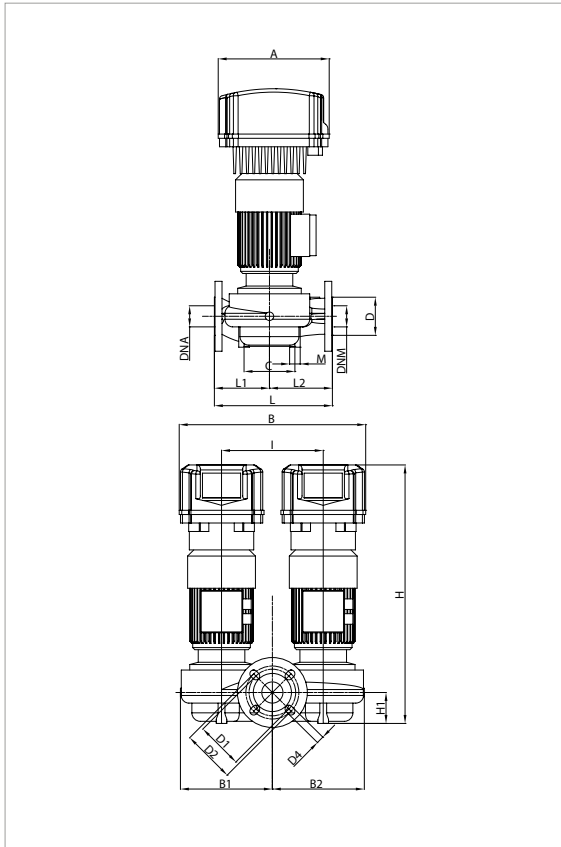
MODEL	ELECTRICAL DATA						
	POWER INPUT 50-60 Hz	MOTOR TYPE	n.r.p.m.	P1 MAX W	P2 NOMINAL		In A
					kW	HP	
DKLPE 50-1200 M MCE11/C *	1x220-240 V ~	2 poles	2890	0,90	0,75	1,00	7,7

* ΔP-v proportional differential pressure adjustment mode also available.

MODEL	A	B	B1	B2	C	D	D1	D2	D3	D4	H	H1	I	L	L1	L2	M	DNA GAS	DNM GAS	PACKING DIMENSIONS			VOLUME (m ³)	WEIGHT kg
																				L/A	L/B	H		
DKLPE 50-1200 M CE11/C	262	400	217	217	120	90	110	125	165	4 HOLES 18x23	622	73	200	280	130	150	2 HOLES M14	50	50	520	400	710	0,15	88

DKLME / DKLPE 50 - IN-LINE ELECTRIC PUMPS FOR HEATING, AIR CONDITIONING, REFRIGERATION, SOLAR, AND SANITARY SYSTEMS - TWIN, FLANGED, WITH MCE/C INVERTER

Pumped liquid temperature range: from -15 °C to +120 °C - Maximum ambient temperature: +40°C



For the MEI index refer to the hydraulic data of the individual pump.

The performance curves are based on kinematic viscosity values = 1 mm²/s and density equal to 1000 kg/m³. Curve tolerance according to ISO 9906.

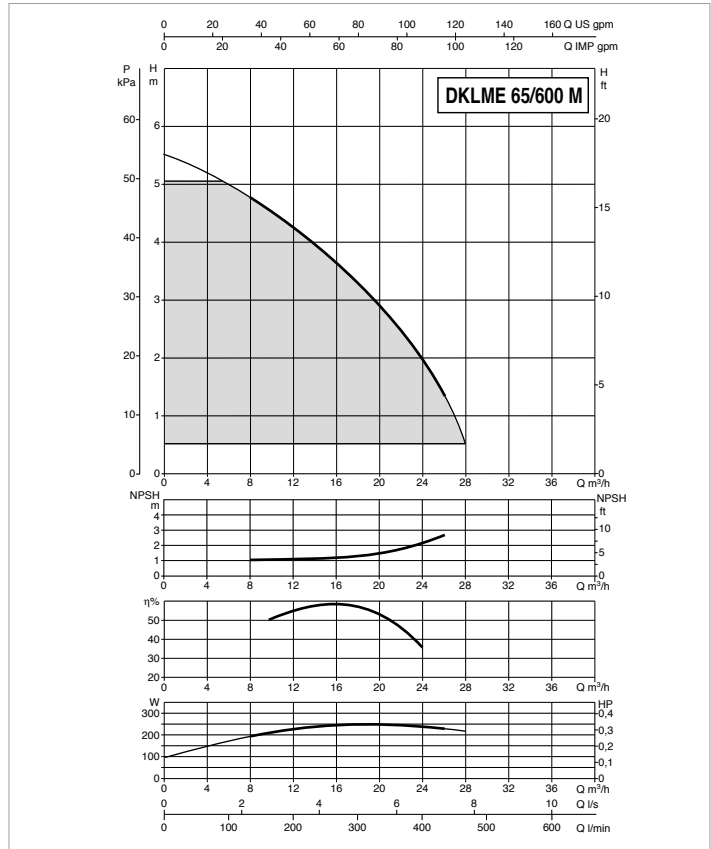
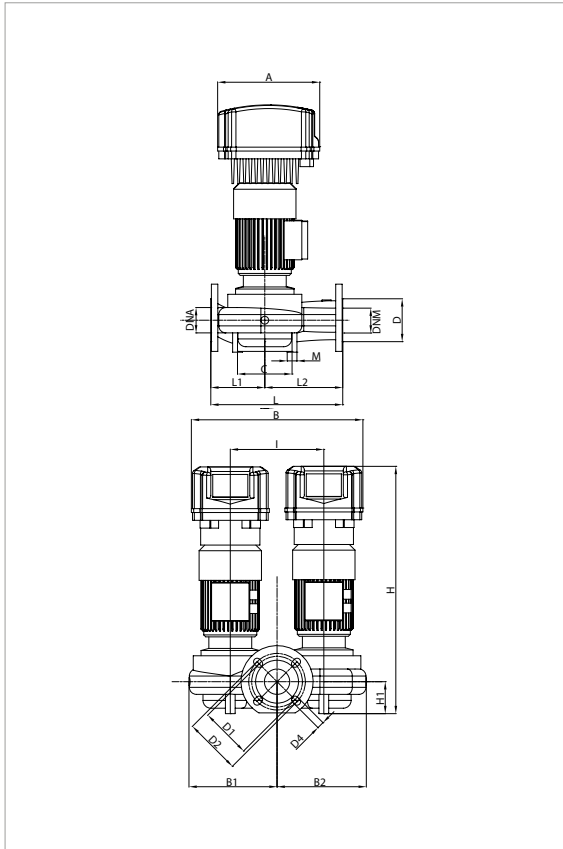
MODEL	ELECTRICAL DATA						
	POWER INPUT 50-60 Hz	MOTOR TYPE	n.r.p.m.	P1 MAX W	P2 NOMINAL		In A
					kW	HP	
DKLPE 50-2000 M MCE15/C	1x220-240 V ~	2 poli	1340	0,34	1,83	2,5	12,8

* ΔP-v proportional differential pressure adjustment mode also available.

MODEL	A	B	B1	B2	C	D	D1	D2	D3	D4	H	H1	I	L	L1	L2	M	DNA GAS	DNM GAS	PACKING DIMENSIONS			VOLUME (m ³)	WEIGHT kg
																				L/A	L/B	H		
DKLPE 50-2000 M MCE15/C	262	400	226	226	120	90	110	125	165	4 HOLES 18x25,5	622	73	240	280	130	150	4 HOLES M14	50	50	520	400	710	0,15	104

DKLME / DKLPE 65 - IN-LINE ELECTRIC PUMPS FOR HEATING, AIR CONDITIONING, REFRIGERATION, SOLAR, AND SANITARY SYSTEMS - TWIN, FLANGED, WITH MCE/C INVERTER

Pumped liquid temperature range: from -15 °C to +120 °C - Maximum ambient temperature: +40°C



For the MEI index refer to the hydraulic data of the individual pump.

The performance curves are based on kinematic viscosity values = 1 mm²/s and density equal to 1000 kg/m³. Curve tolerance according to ISO 9906.

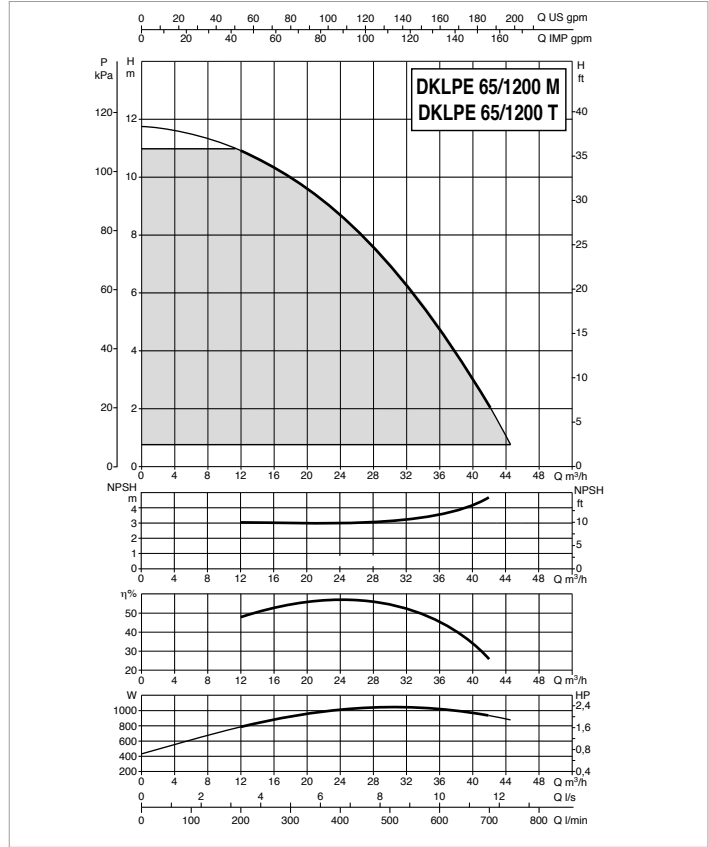
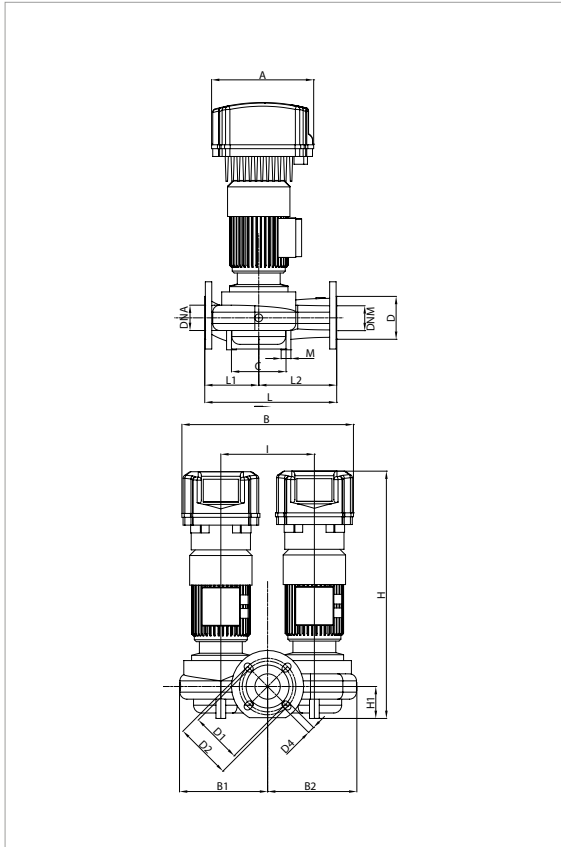
MODEL	ELECTRICAL DATA						
	POWER INPUT 50-60 Hz	MOTOR TYPE	n.r.p.m.	P1 MAX W	P2 NOMINAL		In A
					kW	HP	
DKLME 65-600 M MCE11/C	1x220-240 V ~	4 poles	1400	0,38	0,37	0,50	4,3

* ΔP-v proportional differential pressure adjustment mode also available.

MODEL	A	B	B1	B2	C	D	D1	D2	D3	D4	H	H1	I	L	L1	L2	M	DNA GAS	DNM GAS	PACKING DIMENSIONS			VOLUME (m ³)	WEIGHT kg
																				L/A	L/B	H		
DKLME 65-600 M MCE11/C	262	440	226	229	140	110	130	145	185	4 HOLES 18x23	641	82	240	340	140	200	2 HOLES M14	65	65	520	400	710	0,15	80

DKLME / DKLPE 65 - IN-LINE ELECTRIC PUMPS FOR HEATING, AIR CONDITIONING, REFRIGERATION, SOLAR, AND SANITARY SYSTEMS - TWIN, FLANGED, WITH MCE/C INVERTER

Pumped liquid temperature range: from -15 °C to +120 °C - Maximum ambient temperature: +40°C



For the MEI index refer to the hydraulic data of the individual pump.

The performance curves are based on kinematic viscosity values = 1 mm²/s and density equal to 1000 kg/m³. Curve tolerance according to ISO 9906.

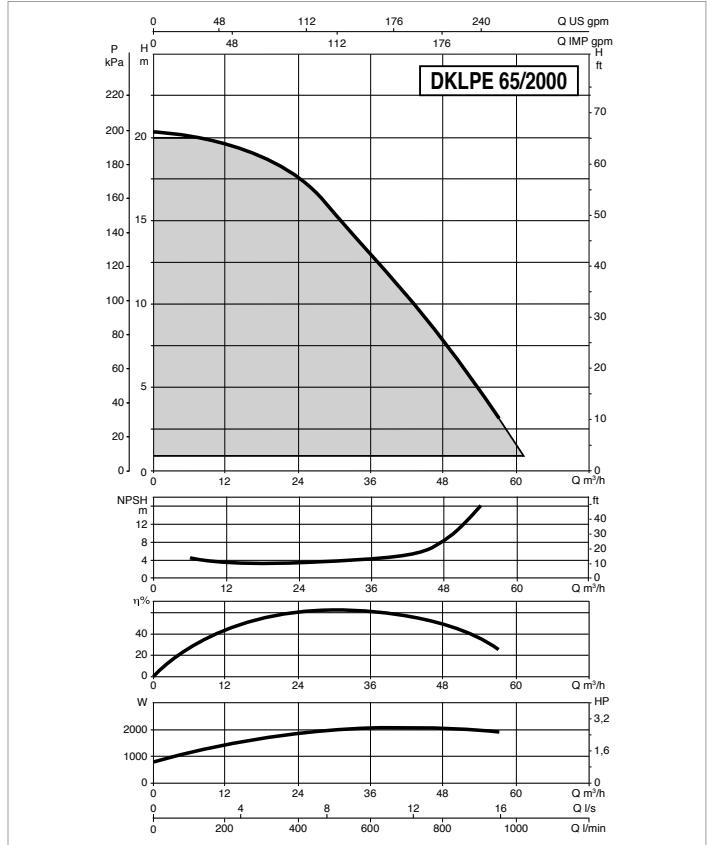
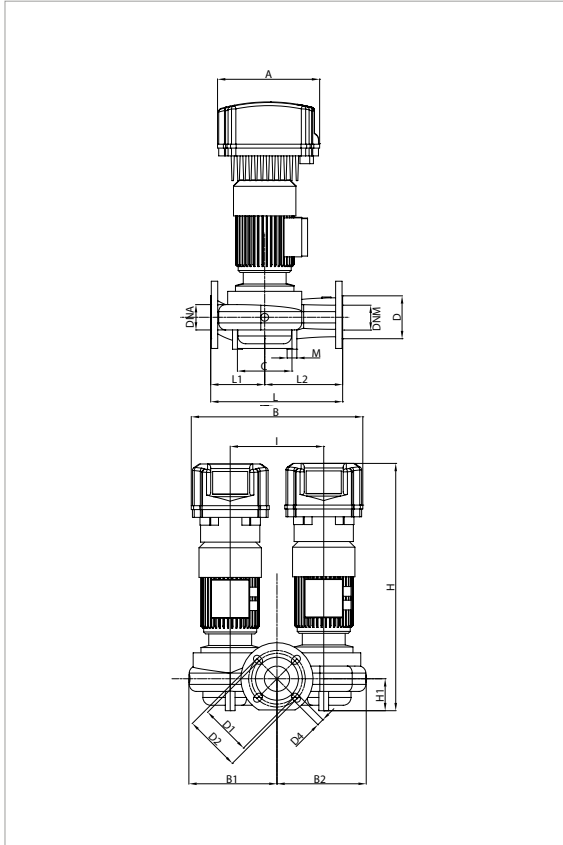
MODEL	ELECTRICAL DATA						
	POWER INPUT 50-60 Hz	MOTOR TYPE	n.r.p.m.	P1 MAX W	P2 NOMINAL		In A
					kW	HP	
DKLPE 65-1200 M MCE11/C *	1x220-240 V ~	2 poles	2880	1,37	1,10	1,50	11
DKLPE 65-1200 T MCE30/C		2 poles	2880	1,37	1,10	1,50	3,9

* ΔP-v proportional differential pressure adjustment mode also available.

MODEL	A	B	B1	B2	C	D	D1	D2	D3	D4	H	H1	I	L	L1	L2	M	DNA GAS	DNM GAS	PACKING DIMENSIONS			VOLUME (m ³)	WEIGHT kg
																				L/A	L/B	H		
DKLPE 65-1200 M CE11/C	262	440	226	229	140	110	130	145	185	4 HOLES	641	82	240	340	140	200	2 HOLES	65	65	520	400	710	0,15	99
DKLPE 65-1200 T MCE30/C	353	537	226	229	140	110	130	145	185	18x23	639	82	240	340	140	200	M14	65	65	726	626	844	0,38	92

DKLME / DKLPE 65 - IN-LINE ELECTRIC PUMPS FOR HEATING, AIR CONDITIONING, REFRIGERATION, SOLAR, AND SANITARY SYSTEMS - TWIN, FLANGED, WITH MCE/C INVERTER

Pumped liquid temperature range: from -15 °C to +120 °C - Maximum ambient temperature: +40°C



For the MEI index refer to the hydraulic data of the individual pump.

The performance curves are based on kinematic viscosity values = 1 mm²/s and density equal to 1000 kg/m³. Curve tolerance according to ISO 9906.

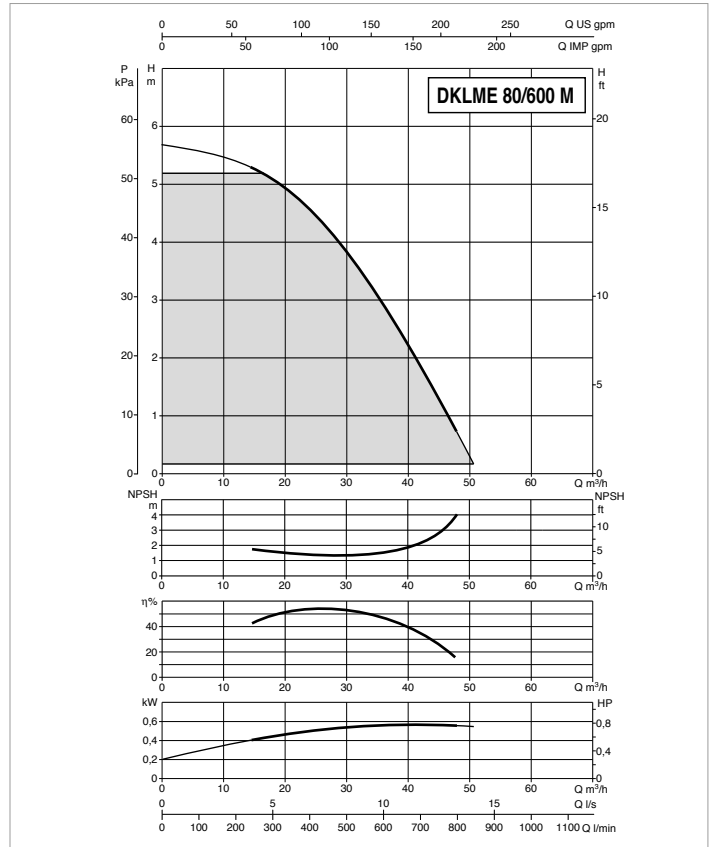
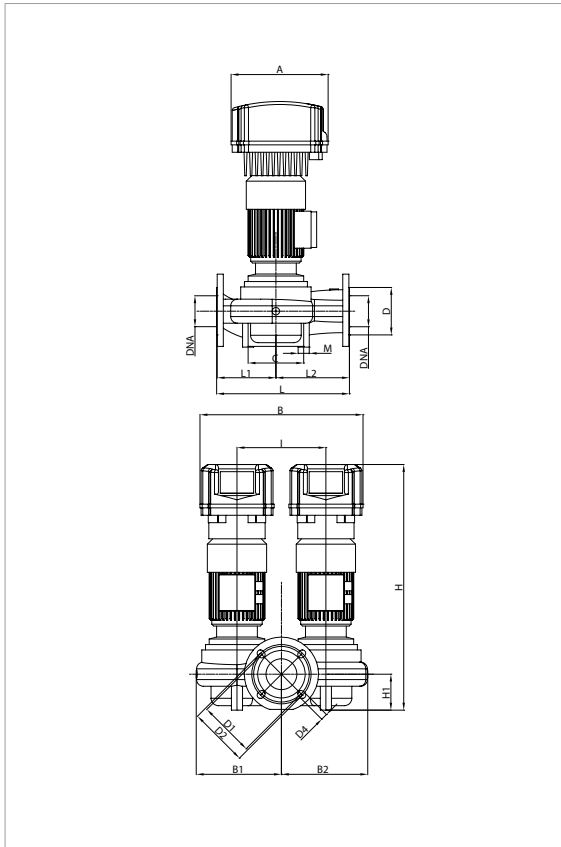
MODEL	ELECTRICAL DATA						
	POWER INPUT 50-60 Hz	MOTOR TYPE	n.r.p.m.	P1 MAX W	P2 NOMINAL		In A
					kW	HP	
DKLPE 65-2000 M MCE22/C *	1x220-240 V ~	2 poli	1400	0,38	2	2,7	13,1
DKLPE 65-2000 T MCE30/C	3x400 V ~	2 poli	2880	1,37	2	2,7	5,3

* ΔP-v proportional differential pressure adjustment mode also available.

MODEL	A	B	B1	B2	C	D	D1	D2	D3	D4	H	H1	I	L	L1	L2	M	DNA GAS	DNM GAS	PACKING DIMENSIONS			VOLUME (m ³)	WEIGHT kg
																				L/A	L/B	H		
DKLPE 65-2000 M MCE22/C	262	440	236	236	140	110	130	145	185	4 HOLES 18x25,5	719	82	240	341	139	202	4 HOLES M14	65	65	520	400	710	0,15	108
DKLPE 65-2000 T MCE30/C *	352	535	236	238	140	110	130	145	185	4 HOLES 18x25,5	716	82	240	341	139	202	4 HOLES M14	65	65	726	626	844	0,38	116

DKLME / DKLPE 80 - IN-LINE ELECTRIC PUMPS FOR HEATING, AIR CONDITIONING, REFRIGERATION, SOLAR, AND SANITARY SYSTEMS - TWIN, FLANGED, WITH MCE/C INVERTER

Pumped liquid temperature range: from -15 °C to +120 °C - Maximum ambient temperature: +40°C



For the MEI index refer to the hydraulic data of the individual pump.

The performance curves are based on kinematic viscosity values = 1 mm²/s and density equal to 1000 kg/m³. Curve tolerance according to ISO 9906.

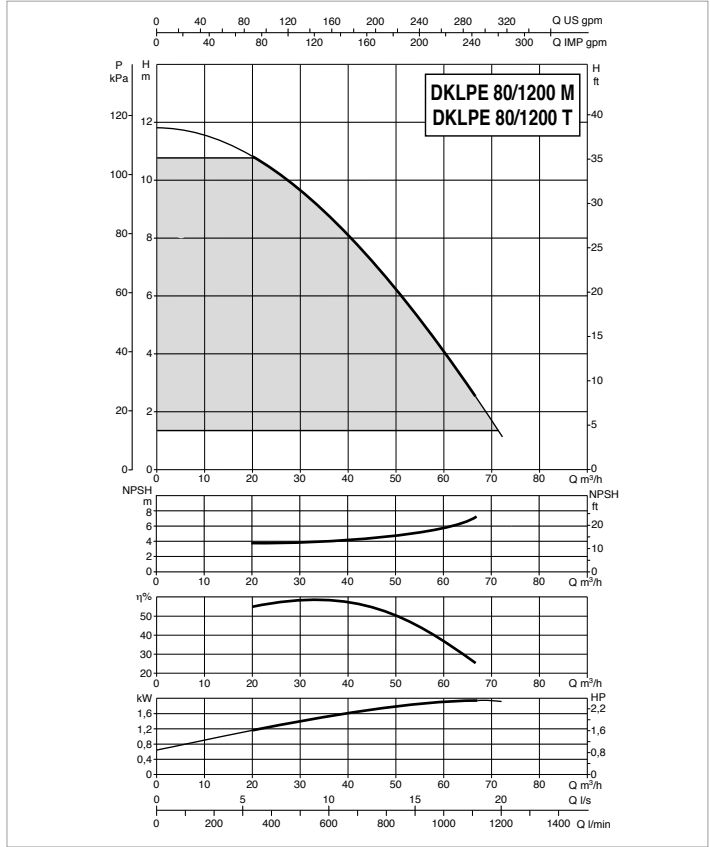
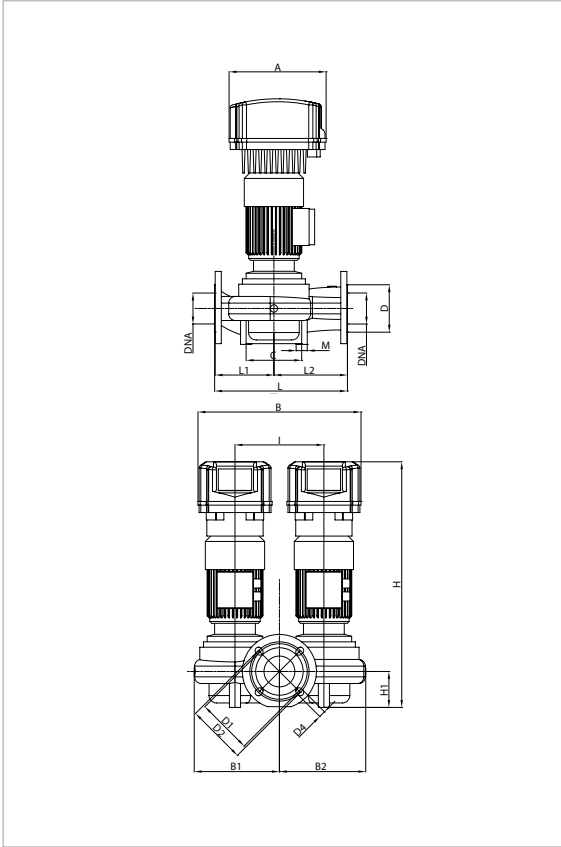
MODEL	ELECTRICAL DATA						
	POWER INPUT 50-60 Hz	MOTOR TYPE	n.r.p.m.	P1 MAX W	P2 NOMINAL		In A
					kW	HP	
DKLME 80-600 M MCE11/C *	1x220-240 V ~	4 poles	1440	0,79	0,75	1,00	7,0

* ΔP-v proportional differential pressure adjustment mode also available.

MODEL	A	B	B1	B2	C	D	D1	D2	D3	D4	H	H1	I	L	L1	L2	M	DNA GAS	DNM GAS	PACKING DIMENSIONS			VOLUME (m ³)	WEIGHT kg
																				L/A	L/B	H		
DKLME 80-600 M MCE11/C	262	440	230	233	150	128	150	160	200	4 HOLES 18x23	671	97	240	360	160	200	2 HOLES M14	80	80	520	400	710	0,15	96

DKLME / DKLPE 80 - IN-LINE ELECTRIC PUMPS FOR HEATING, AIR CONDITIONING, REFRIGERATION, SOLAR, AND SANITARY SYSTEMS - TWIN, FLANGED, WITH MCE/C INVERTER

Pumped liquid temperature range: from -15 °C to +120 °C - Maximum ambient temperature: +40°C



For the MEI index refer to the hydraulic data of the individual pump.

The performance curves are based on kinematic viscosity values = 1 mm²/s and density equal to 1000 kg/m³. Curve tolerance according to ISO 9906.

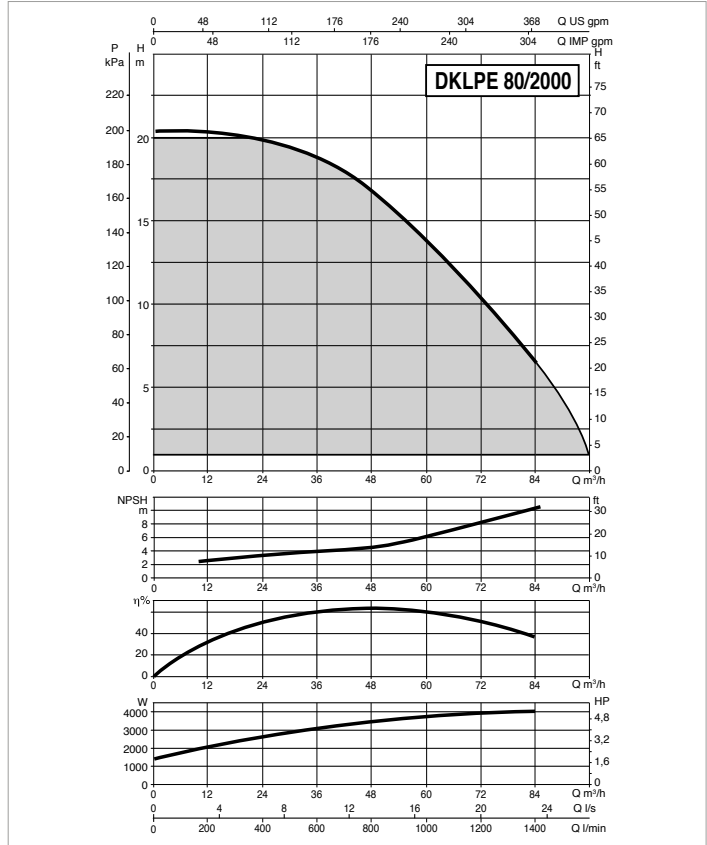
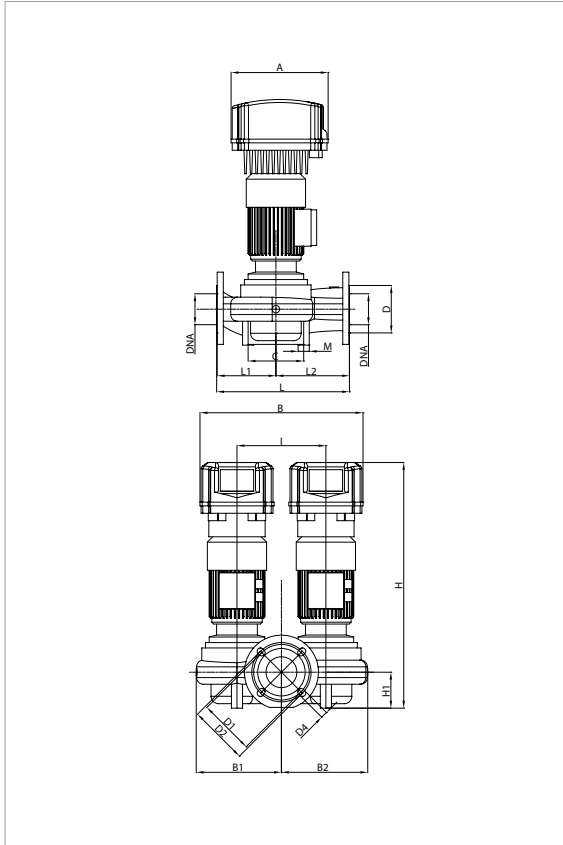
MODEL	DATI ELETTRICI						
	POWER INPUT 50-60 Hz	MOTOR TYPE	n.r.p.m.	P1 MAX W	P2 NOMINAL		In A
					kW	HP	
DKLPE 80-1200 M MCE15/C *	1x220-240 V ~	2 poles	2840	2,21	1,84	2,50	16,0
DKLPE 80-1200 T MCE30/C *		2 poles	2840	2,21	1,84	2,50	4,8

* ΔP-v proportional differential pressure adjustment mode also available.

MODEL	A	B	B1	B2	C	D	D1	D2	D3	D4	H	H1	I	L	L1	L2	M	DNA GAS	DNM GAS	PACKING DIMENSIONS			VOLUME (m ³)	WEIGHT kg
																				L/A	L/B	H		
DKLPE 80-1200 M MCE15/C	262	440	230	233	150	128	150	160	200	4 HOLES 18x23	746	97	240	360	160	200	2 HOLES M14	80	80	520	400	710	0,15	98
DKLPE 80-1200 T MCE30/C	353	537	230	233	150	128	150	160	200	4 HOLES 18x23	743	97	240	360	160	200	2 HOLES M14	80	80	726	626	844	0,28	108

DKLME / DKLPE 80 - IN-LINE ELECTRIC PUMPS FOR HEATING, AIR CONDITIONING, REFRIGERATION, SOLAR, AND SANITARY SYSTEMS - TWIN, FLANGED, WITH MCE/C INVERTER

Pumped liquid temperature range: from -15 °C to +120 °C - Maximum ambient temperature: +40°C



For the MEI index refer to the hydraulic data of the individual pump.

The performance curves are based on kinematic viscosity values = 1 mm²/s and density equal to 1000 kg/m³. Curve tolerance according to ISO 9906.

MODEL	ELECTRICAL DATA						
	POWER INPUT 50-60 Hz	MOTOR TYPE	n.r.p.m.	P1 MAX W	P2 NOMINAL		In A
					kW	HP	
DKLPE 80-2000 T MCE55/C	3x400 V ~	2 poli	1440	0,79	3,67	5	9,1

MODEL	A	B	B1	B2	C	D	D1	D2	D3	D4	H	H1	I	L	L1	L2	M	DNA GAS	DNM GAS	PACKING DIMENSIONS			VOLUME (m ³)	WEIGHT kg
																				L/A	L/B	H		
DKLPE 80-2000 T MCE55/C	352	567	238	241	150	128	150	160	200	4 HOLES 18x23	713	97	240	360	160	200	4 HOLES M14	80	80	726	626	844	0,28	125

CME /CM-GE / DCME / DCM-GE

ELECTRONIC IN-LINE PUMPS FOR CIRCULATION SYSTEMS



TECHNICAL DATA

Operating range:

from 1,2 to 360 m³/h with head up to 34 metres

Pumped liquid: clean, free of solids and abrasives, non-viscous, non-aggressive, non-crystallised and chemically neutral, with properties similar to water.

Maximum operating pressure:

PN10 : DN 40 - DN 50

PN16 : Remainder of the range

Flanging: PN 16.

Counter flanges on request:

DN 40 - DN 50 - DN 65 - DN 80 - DN 100 - DN 125 - DN 150; PN 16.

Protection: IP 55

Insulation: class F

Liquid temperature range:

-10 °C to +130 °C for DN 40 - 50

-10 °C to +140 °C for the remainder of the range

Maximum ambient temperature: +40°C

Maximum working pressure: 16 bar

Standard single-phase voltage: 1x220-240 V / 50-60 Hz

Special version on request:

three-phase 3x400 V / 50 Hz or three-phase 3x460 V / 60 Hz

Standard three-phase voltage: 3x400 V / 50 Hz

Special version on request: 3x460 V / 60 Hz

Pumped liquid: clean, free of solids and abrasives, non-viscous, non-aggressive, non-crystallised and chemically neutral.

APPLICATIONS

In-line port circulation pumps, suitable for heating, air conditioning, refrigeration and sanitary water systems. Particularly versatile thanks to the use of the MCE/C inverter, offering performance features capable of automatically adapting to the different needs of the system, keeping a consistent differential pressure. Available in the single and twin versions.

CONSTRUCTION FEATURES OF THE PUMP

PN 16 flanged suction and delivery ports with threaded holes for control manometers. Cast iron pump body and motor support, cast iron or technopolymer impeller depending on mode (bronze impeller available on request for DN 65 to DN 150 models only). Stainless steel motor shaft. Seal device: standardised mechanical seal according to DIN 24960 in carbon/silicon carbide with EPDM OR rings.

CONSTRUCTION FEATURES OF THE MOTOR

External ventilation asynchronous type motor. Rotor running on ball bearings, oversized to ensure low noise and durability. Construction according to CEI 2-3.

CONSTRUCTION FEATURES OF THE ELECTRONICS: MCE/C INVERTER

MCE/C inverters are the latest technological achievement of the DAB inverter range. They represent a new generation of inverters for use with circulation pumps, and set themselves apart due to ease of use, power, simplicity of installation and management. MCE/C inverters have been designed for managing circulation pumps. By allowing a simple adjustment of the differential pressure, they give the possibility of adjusting the performance of the circulation pump to the actual system requirements. They are fitted on the fan cover of the motor. This makes the installation of the pump with MCE/C particularly easy and quick. The protection class of the MCE/C is IP55. The ease of programming is guaranteed by the use of a simple and intuitive interface, similar to Dialogue electronic circulators, and a graphic display. MCE/C inverters have a double micro-processor construction that guarantees maximum efficiency and reliability.

A reliable and sturdy construction, together with a modern and innovative design, complete the product, also in terms of aesthetic value. MCE/C inverters protect the motor and the pump, and increase their life, by eliminating hammering effects and making the pump rotate at the minimum number of rotations capable of meeting the requirements of the user. In addition, electric pumps controlled by the MCE/C inverter are environmentally friendly. In fact, by ensuring that the pump only uses the power that is strictly necessary for meeting the needs of the users, electricity consumption is strongly reduced when compared with fixed speed pumps. It is possible to create twin units by using the appropriate cable for the connection of MCE/C inverters.

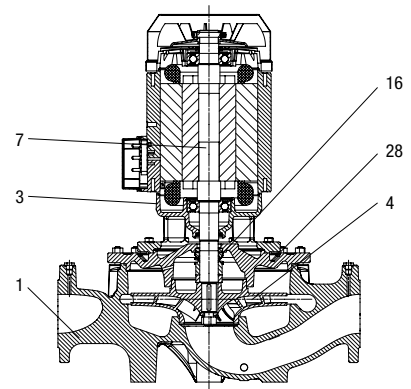
CME /CM-GE / DCME / DCM-GE

ELECTRONIC IN-LINE PUMPS FOR CIRCULATION SYSTEMS

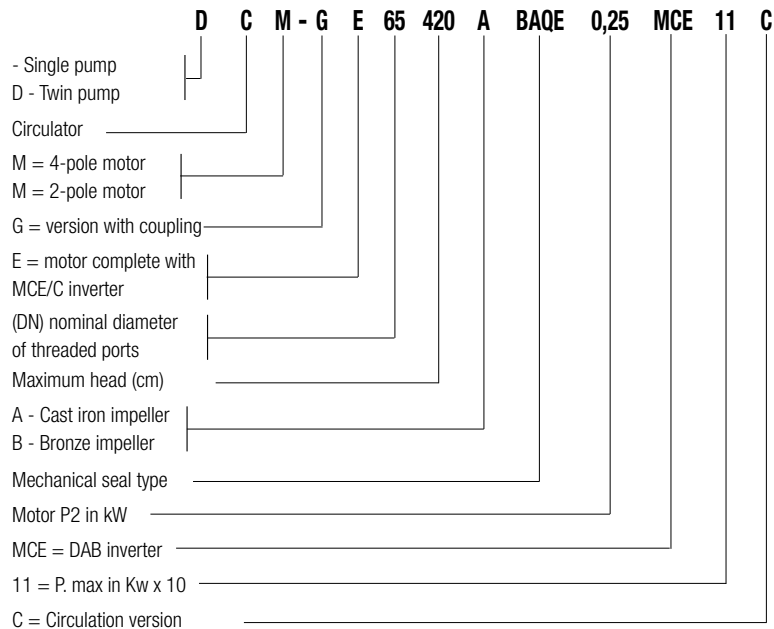
MATERIALS

N.	PARTS	MATERIALS
1	PUMP BODY	CAST IRON 250 UNI ISO 185
3	SUPPORT	CAST IRON 250 UNI ISO 185
4	IMPELLER	CAST IRON DN 65-80-100-125-150 / DCME Dn 40 - 50 / CME 40-1450T, CME 50-1420T
		TECHNOPOLYMER B CME 40-870T, CME 50-1000T
7	SHAFT WITH ROTOR	AISI 303 STAINLESS STEEL X10 CrNiS 1809 UNI 6900/71
16	MECHANICAL SEAL	CARBON/GRAPHITE
28	OR RING	EPDM RUBBER

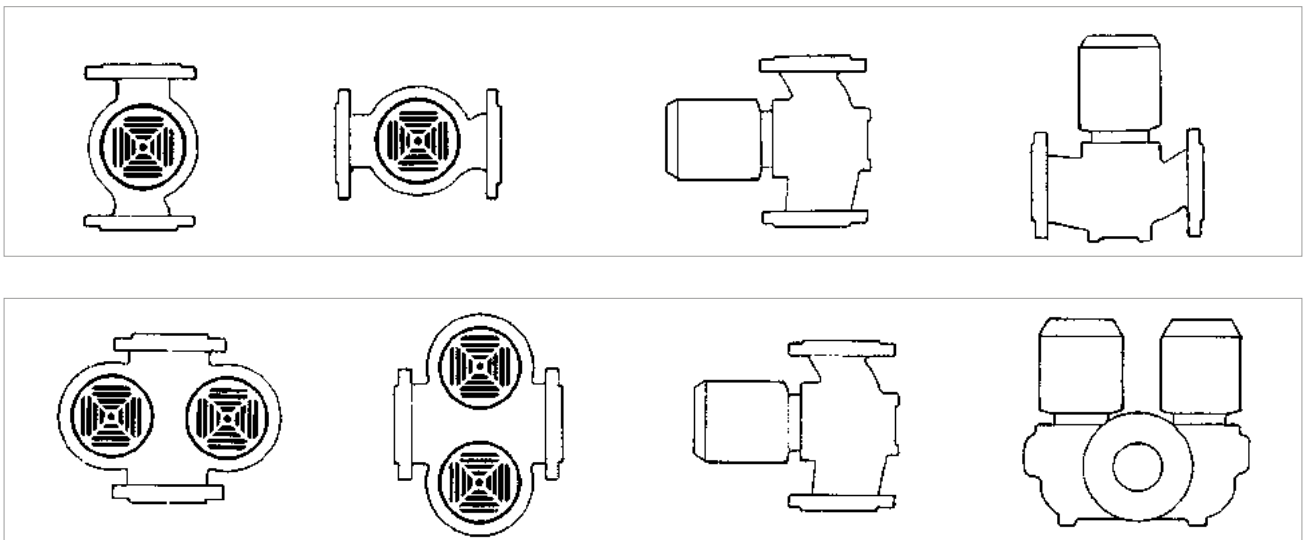
* In contact with the liquid



- Legend: (example)



Installation: horizontal or vertical position, provided that the motor is always above the pump.



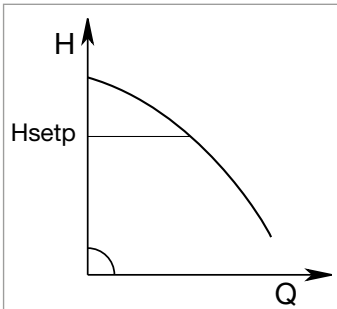
MCE/C INVERTER

MODES OF OPERATION

All the functions listed below can be consulted by the users (including less experienced ones) by simply scrolling through the MCE/C menu. The calibration and the modification of the parameters are protected, and can only be completed by expert users.

1 - ΔP -c constant differential pressure adjustment mode

The ΔP -c adjustment mode keeps the differential pressure of the system constantly at the H (setp) value set, even in case of variation of the flow rate. This is the standard adjustment used. It can be set directly from the MCE/C control panel. The inverter keeps the differential pressure (H setp) constant even in case of flow variation.



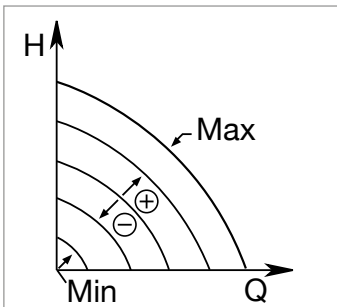
This adjustment is particularly indicated for the following systems:

- a. two-pipe heating systems with thermostat valves
- b. underfloor heating systems with thermostat valves
- c. single-pipe heating systems with thermostat valves and calibration valves
- d. systems with primary circuit pumps

2 - Constant curve adjustment modes

2.1 - Constant curve adjustment

The rotation speed is kept at a constant number of revolutions. This rotation speed can be set between a minimum value and the nominal frequency of the circulation pump (e.g. between 15 Hz and 50 Hz). This mode can be set using the control panel on the MCE cover.

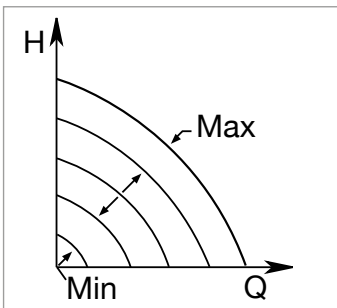


2.2 - Adjustment of the constant curve with external analogue signal

The rotation speed is kept at a constant number of revolution in proportion with the voltage of the external analogue signal.

The rotation speed changes in a linear way, between the nominal frequency of the pump when $V_{in} = 10$ V, and the minimum frequency when $V_{in} = 0$ V.

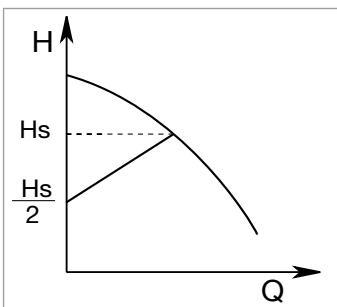
This mode can be set using the control panel on the MCE cover.



3 - ΔP -v * proportional differential pressure adjustment mode

With ΔP -v adjustment mode, with the variation of the flow rate, the value of the delivery of the head also varies in a linear manner, from Hsetp to Hsetp/2.

* in order to know the availability of the function on specific models contact our customer service.



For more information refer to the technical appendix.

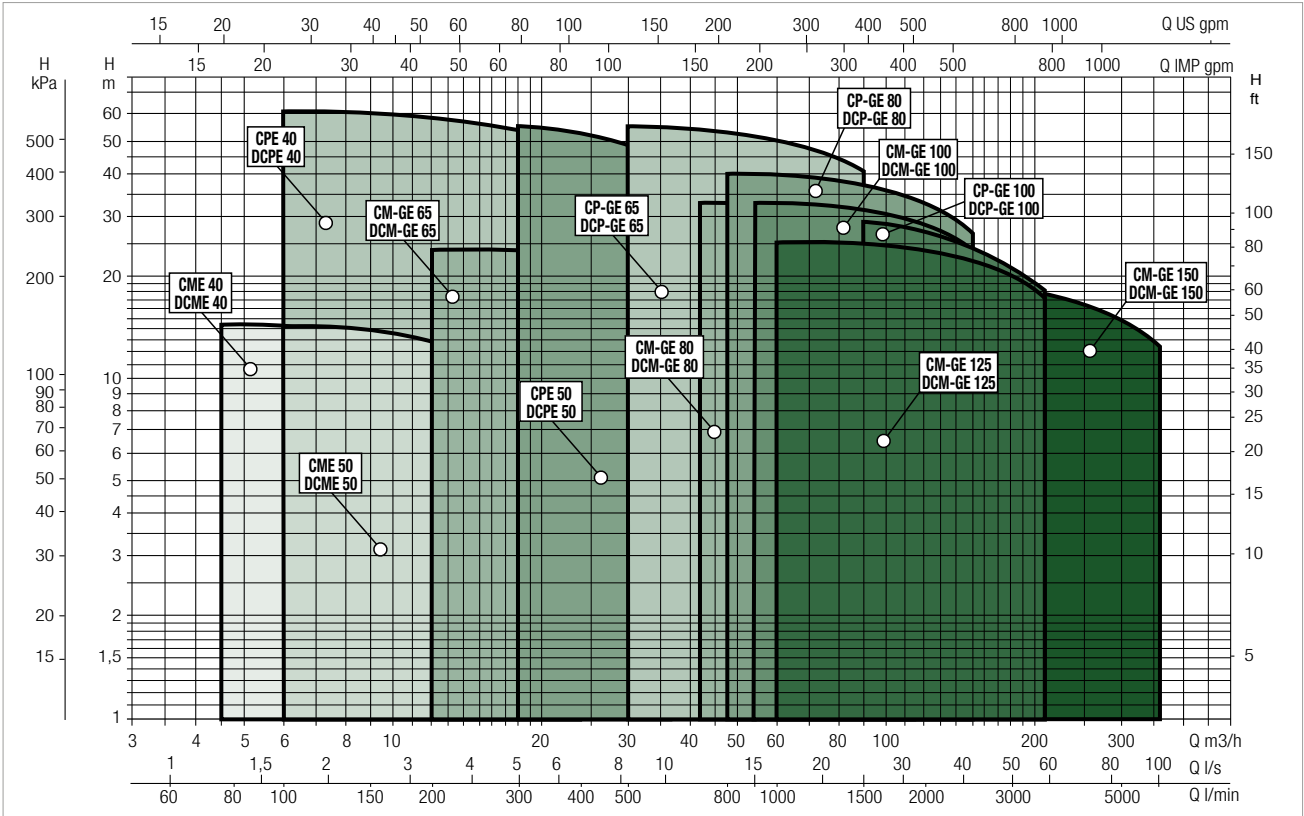
ELECTRIC IN-LINE PUMPS

ELECTRONIC IN-LINE PUMPS FOR CIRCULATION SYSTEMS

PERFORMANCE RANGE

The performance curves are based on kinematic viscosity values = 1 mm²/s and density equal to 1000 kg/m³. Curve tolerance according to ISO 9906.

GRAPHIC SELECTION TABLE



SELECTION TABLE - CME / CM-GE - 4 POLES

MODEL	Q=														H (m)										
	m ³ /h	0	1,2	2,4	3	3,6	4,5	4,8	6	12	18	24	30	36		42	48	54	60	66	72	78	84	90	102
	l/min	0	20	40	50	60	75	80	100	200	300	400	500	600	700	800	900	1000	1100	1200	1300	1400	1500	1700	1900
CME 40- 870 M MCE11/C IE2		8,7	8,7	8,6	8,6	8,5	8,3	8,3	8,2	5															
CME 40-1450 M MCE11/C IE2							14,5	14,4	14,3	11,8	8														
CME 40-1450 T MCE30/C IE2							14,5	14,4	14,3	11,8	8														
CME 50-1000 M MCE11/C IE2						10,1	10	9,8	9,6	6,8															
CME 50-1420 M MCE11/C IE2									14,2	13	10	6													
CME 50-1420 T MCE30/C IE2									14,2	13	10	6													
CM-GE 65- 660/A/BAQE/0.55 M MCE11/C IE2		6,6							6,5	6,2	5,7	4,8													
CM-GE 65- 920/A/BAQE/0.75 M MCE11/C IE2		9,2							9,2	9	8,4	7,4	5,7												
CM-GE 65- 920/A/BAQE/0.75 T MCE30/C IE2		9,2							9,2	9	8,4	7,4	5,7												
CM-GE 65-1200/A/BAQE/1.5 M MCE15/C IE2		12								12	11,9	11,5	10,8	10,1	8,9										
CM-GE 65-1200/A/BAQE/1.5 T MCE30/C IE2		12								12	11,9	11,5	10,8	10,1	8,9										
CM-GE 65-1680/A/BAQE/3 T MCE30/C IE2		16,8								16,8	16,5	16,1	15,5	14,6	13,6	12,4	10,9								
CM-GE 65-2380/A/BAQE/4 T MCE30/C IE2		23,8								24	23,8	23,4	22,7	21,6	20,4	19	17,1								

CME /CM-GE / DCME / DCM-GE

ELECTRONIC IN-LINE PUMPS FOR CIRCULATION SYSTEMS

SELECTION TABLE - CME / CM-GE - 4 POLES

MODEL	Q=	0	1,2	2,4	3	3,6	4,5	4,8	6	12	18	24	30	36	42	48	54	60	66	72	78	84	90	102	114		
	m ³ /h	0	20	40	50	60	75	80	100	200	300	400	500	600	700	800	900	1000	1100	1200	1300	1400	1500	1700	1900		
	Q=																										
	l/min																										
CM-GE 80- 650/A/BAQE/0.75 M MCE11/C IE2		6,5								6,3	6,1	5,8	5,5	5	4,5	3,9											
CM-GE 80- 650/A/BAQE/0.75 T MCE30/C IE2		6,5								6,3	6,1	5,8	5,5	5	4,5	3,9											
CM-GE 80- 890/A/BAQE/1.5 M MCE15/C IE2		8,9									8,8	8,7	8,6	8,3	8	7,6	7,2	6,6	6								
CM-GE 80- 890/A/BAQE/1.5 T MCE30/C IE2		8,9									8,8	8,7	8,6	8,3	8	7,6	7,2	6,6	6								
CM-GE 80-1530/A/BAQE/3 T MCE30/C IE2		15,3										15,4	15,3	15	14,6	14,1	13,5	12,9	12,2	11,3							
CM-GE 80-1700/A/BAQE/4 T MCE55/C IE2		17											17,2	17,2	17,1	16,8	16,5	16,2	15,7	15,1	14,3	13,6	12,6				
CM-GE 80-2410/A/BAQE/5.5 T MCE55/C IE2		24,1												23,8	23,6	23,3	22,8	22,3	21,5	20,8	19,7	18,6	17,3				
CM-GE 80-2700/A/BAQE/7.5 T MCE110/C IE2		27														26	25,5	25	24,5	23,6	22,7	21,5	20,2	19			
CM-GE 80-3420/A/BAQE/11 T MCE110/C IE2		34,2															33,2	33	32,5	32	31,5	30,7	29,8	29	28	25	21,7

MODEL	Q=	0	12	18	24	30	36	42	48	54	60	66	72	78	84	90	102	114	120	150	180	210	240	250	270	330	360		
	m ³ /h	0	200	300	400	500	600	700	800	900	1000	1100	1200	1300	1400	1500	1700	1900	2000	2500	3000	3500	4000	4167	4500	5500	6000		
	Q=																												
	l/min																												
CM-GE 100- 510/A/BAQE/0.75 M MCE11/C IE2		5,1	4,9	4,8	4,7	4,7	4,4	4,2	3,8	3,4	3																		
CM-GE 100- 510/A/BAQE/0.75 T MCE30/C IE2		5,1	4,9	4,8	4,7	4,7	4,4	4,2	3,8	3,4	3																		
CM-GE 100- 865/A/BAQE/1.5 M MCE15/C IE2		8,6				8,3	8,2	8,1	7,9	7,7	7,5	7,3	7,1	6,8	6,5	6,2	5,6	4,8											
CM-GE 100- 865/A/BAQE/1.5 T MCE30/C IE2		8,6				8,3	8,2	8,1	7,9	7,7	7,5	7,3	7,1	6,8	6,5	6,2	5,6	4,8											
CM-GE 100-1020/A/BAQE/3 T MCE30/C IE2		10,2				10,2	10,1	10	9,9	9,8	9,7	9,5	9,3	9	8,8	8,6	7,9	7,2	6,7										
CM-GE 100-1320/A/BAQE/4 T MCE55/C IE2		13,2						13,2	13,2	13,1	12,9	12,7	12,4	12	11,7	11,3	10,4	9,3	8,7										
CM-GE 100-1650/A/BAQE/5.5 T MCE55/C IE2		16,5						16,6	16,5	16,4	16,2	16,1	16	15,7	15,4	15	14,3	13,3	12,7										
CM-GE 100-2050/A/BAQE/7.5 T MCE110/C IE2		20,5						21	21	21	20,7	20,5	20	19,8	19,5	19	18	16,7	16										
CM-GE 100-2550/A/BAQE/11 T MCE110/C IE2		25,5						25,5	25,5	25,5	25,1	25	25	24,6	24,2	24	23	21,5	21										
CM-GE 100-3290/A/BAQE/15 T MCE150/C IE2	H (m)	32,9								33,1	33	32,9	32,8	32,4	32	31,6	30,5	29,5	28,9	24									
CM-GE 125-1075/A/BAQE/4 T MCE55/C IE2		10,8								10,1	10,1	10	9,9	9,7	9,5	9,1	8,5	8,3	7	5,4									
CM-GE 125-1270/A/BAQE/5.5 T MCE55/C IE2		12,7								12,6	12,6	12,5	12,5	12,4	12,3	12	11,5	11,4	10,1	8,5									
CM-GE 125-1560/A/BAQE/7.5 T MCE110/C IE2		15,6								15,4	15,4	15,3	15,2	15,1	15	14,7	14,5	14,3	13,3	11,6	9,8								
CM-GE 125-2100/A/BAQE/11 T MCE110/C IE2		21								21,5	21,5	21,5	21,4	21,2	21	20,9	20	19,8	18	16									
CM-GE 125-2550/A/BAQE/15 T MCE150/C IE2		25,5								25,5	25,5	25,5	25,3	25,1	25,1	25	24,5	24	22,5	20,5	17,5								
CM-GE 150- 955/A/BAQE/5.5 T MCE55/C IE2		9,6													9,6	9,5	9,4	9,3	8,7	7,8	6,7	5,9	5,5						
CM-GE 150-1322/A/BAQE/7.5 T MCE110/C IE2		13,2													13	12,8	12,6	12,5	11,9	11,1	10,1	8,9	8,5						
CM-GE 150-1600/A/BAQE/11 T MCE110/C IE2		16															15,5	15,5	15,4	14,8	14	13	11,8	11	10,5	9,2			
CM-GE 150-1950/A/BAQE/15 T MCE150/C IE2		19,5																19,5	19,4	19,3	19,2	18,7	17,8	16,8	16	15,5	14,1	12,5	

CME /CM-GE / DCME / DCM-GE

ELECTRONIC IN-LINE PUMPS FOR CIRCULATION SYSTEMS

SELECTION TABLE - DCME / DCM-GE - 4 POLES

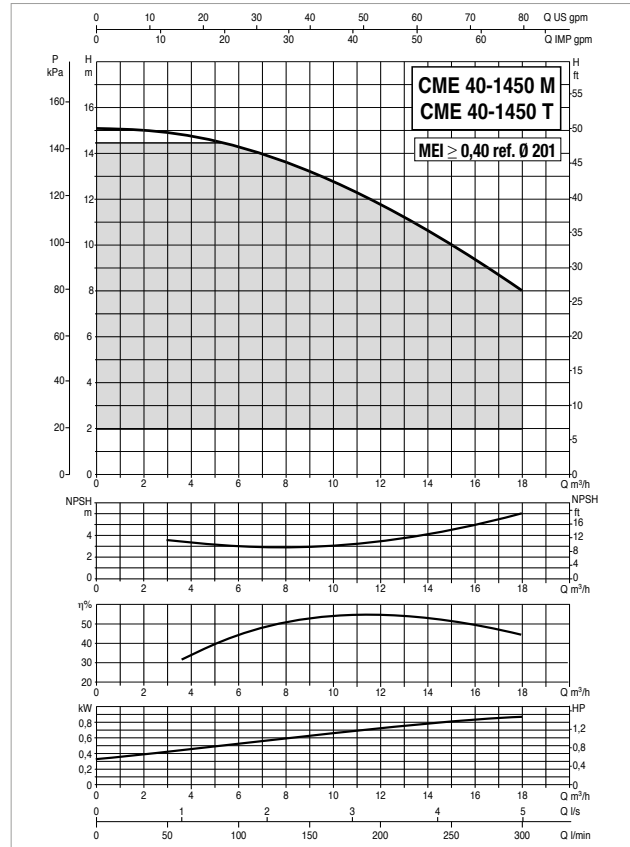
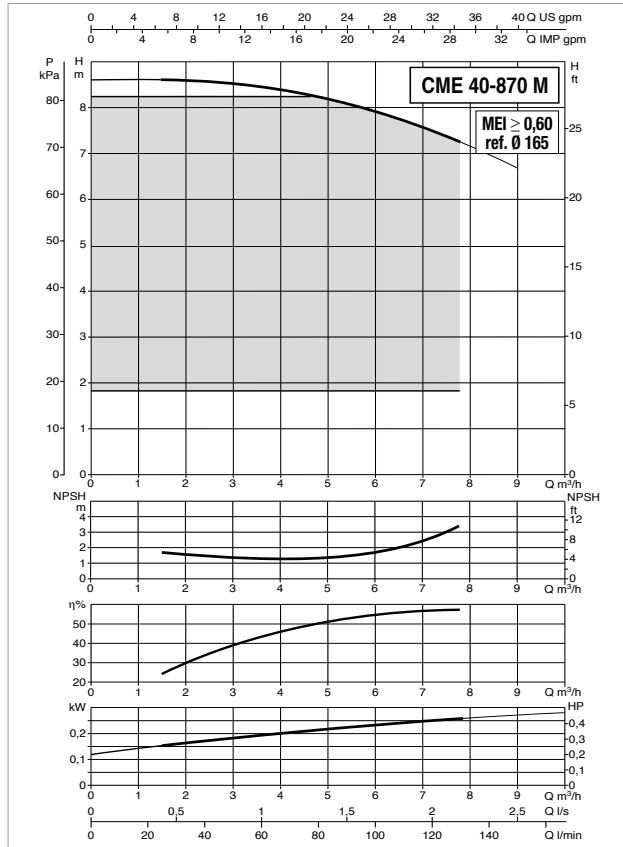
MODEL	Q=	0	3	4,5	6	12	18	24	30	36	42	48	54	60	66	72	78	84	90	102	114	120	150		
	m ³ /h	0	50	75	100	200	300	400	500	600	700	800	900	1000	1100	1200	1300	1400	1500	1700	1900	2000	2500		
	Q=																								
	l/min																								
DCME 40-620 M MCE11/C	H (m)	6,3	6,2	6,0	5,8	3,0																			
DCME 50-460 M MCE11/C	H (m)	4,8			4,6	3,9	2,4																		
DCME 50-880 M MCE11/C	H (m)	9,1			8,8	7,7	5,9																		
DCM-GE 65- 660/A/BAQE/0.55 M MCE11/C	H (m)	6,5			6,4	5,9	4,4	3,1																	
DCM-GE 65- 920/A/BAQE/0.75 M MCE11/C	H (m)	9,1			9,1	8,8	7,4	5,8	3,5																
DCM-GE 65- 920/A/BAQE/0.75 T MCE30/C	H (m)	9,1			9,1	8,8	7,8	6,4	4,5																
DCM-GE 65-1200/A/BAQE/1.5M MCE11/C	H (m)	12,0				11,9	11,6	11,0	10,0	9,0	7,6														
DCM-GE 65-1200/A/BAQE/1.5 T MCE30/C	H (m)	12,0				11,9	11,6	11,0	10,0	9,0	7,6														
DCM-GE 65-1680/A/BAQE/3 T MCE30/C	H (m)	16,8				16,7	16,3	15,7	14,9	13,7	12,4	11,0	9,3												
DCM-GE 65-2380/A/BAQE/4 T MCE30/C	H (m)	23,8				23,9	23,5	22,8	21,8	20,3	18,6	16,8	14,5												
DCM-GE 80- 650/A/BAQE/0.75 M IE2 MCE11/C	H (m)	6,5				6,2	5,8	5,2	4,5	3,7	2,9	2,1													
DCM-GE 80- 650/A/BAQE/0.75 T MCE30/C	H (m)	6,5				6,2	5,8	5,2	4,5	3,7	2,9	2,1													
DCM-GE 80- 890/A/BAQE/1.5 M MCE15/C	H (m)	8,5						8,3	8,0	7,5	6,8	6,1	5,3	4,4	3,5										
DCM-GE 80- 890/A/BAQE/1.5 T MCE30/C	H (m)	8,5						6,7	6,2	5,5	4,8	4,2	3,5	2,9	2,3										
DCM-GE 80-1530/A/BAQE/3T MCE30/C	H (m)	14,4						14,1	13,7	13,0	12,2	11,3	10,2	9,2	8,0	6,8									
DCM-GE 80-1700/A/BAQE/4 T MCE30/C	H (m)	16,0						15,7	15,5	15,3	14,6	14,0	13,2	12,3	11,2	10,0	8,9	7,7							
DCM-GE 80-2410/A/BAQE/5.5T MCE55/C	H (m)	24,1								23,3	22,7	22,0	21,1	20,2	18,9	17,6	16,2								
DCM-GE 80-2700/A/BAQE/7.5 T MCE110/C	H (m)	27,0								26,1	26,1	25,5	24,9	24,2	23,2	22,1	20,7	19,3	17,9						
DCM-GE 80-3420/A/BAQE/11 T MCE110/C	H (m)	34,2								33,3	33,3	32,9	32,3	31,8	30,9	29,9	29,0	27,8	24,4	22,0	20,8				
DCM-GE 100- 510/A/BAQE/0.75 M MCE11/C	H (m)	4,9				4,8	4,7	4,6	4,5	4,0	3,7	3,2	2,6	2,1											
DCM-GE 100- 510/A/BAQE/0.75 T MCE30/C	H (m)	4,9				4,8	4,7	4,6	4,5	4,0	3,7	3,2	2,6	2,1											
DCM-GE 100- 865/A/BAQE/1.5 M MCE15/C	H (m)	8,6							8,4	8,3	8,1	7,9	7,6	7,4	7,1	6,8	6,4	6	5,6	4,7	3,5				
DCM-GE 100- 865/A/BAQE/1.5 T MCE30/C	H (m)	8,6							8,4	8,3	8,1	7,9	7,6	7,4	7,1	6,8	6,4	6	5,6	4,7	3,5				
DCM-GE 100-1020/A/BAQE/3 T MCE30/C	H (m)	10,2							10,2	10,0	9,8	9,6	9,5	9,3	8,9	8,5	8,0	7,5	7,1	5,9	4,7	4,0			
DCM-GE 100-1320/A/BAQE/4 T MCE55/C	H (m)	13,2									13,2	13,1	13,0	12,8	12,4	11,9	11,3	10,8	10,2	8,8	7,4	6,6			
DCM-GE 100-1650/A/BAQE/5,5T MCE55/C	H (m)	16,5									16,5	16,4	16,3	16,0	15,8	15,5	14,9	14,4	13,7	12,4	10,8	10,0			
DCM-GE 100-2050/A/BAQE/7.5 T MCE110/C	H (m)	19,3											19,2	18,8	18,5	17,9	17,6	17,2	16,6	15,5	14,1	13,3			
DCM-GE 100-2550/A/BAQE/11 T MCE110/C	H (m)	24,0												23,3	22,8	22,6	22,4	21,9	21,4	21,0	19,8	18,1	17,5		
DCM-GE 100-3290/A/BAQE/15 T MCE150/C	H (m)	30,9													30,5	30,3	30,1	29,9	29,4	28,8	28,3	27,0	25,8	25,1	20,0

SELECTION TABLE - DCM-GE - 4 POLES

MODEL	Q=	0	30	36	42	48	54	60	66	72	78	84	90	102	114	120	150	180	210	240	250	270	330	360	
	m ³ /h	0	500	600	700	800	900	1000	1100	1200	1300	1400	1500	1700	1900	2000	2500	3000	3500	4000	4167	4500	5500	6000	
	Q=																								
	l/min																								
DCM-GE 125-1075/A/BAQE/4 T MCE55/C	H (m)	10,0						9,5	9,4	9,2	9,0	8,7	8,4	7,7	6,8	6,5	4,4	2,4							
DCM-GE 125-1270/A/BAQE/5.5 T MCE55/C	H (m)	11,7						11,8	11,7	11,5	11,4	11,1	10,8	10,2	9,2	8,9	6,4	3,8							
DCM-GE 125-1560/A/BAQE/7.5 T MCE110/C	H (m)	14,4						14,6	14,6	14,4	14,2	14,0	13,8	13,2	12,7	12,3	10,2	7,5	4,9						
DCM-GE 125-2100/A/BAQE/11 T MCE110/C	H (m)	20,1										19,9	19,6	19,3	18,2	17,8	15,4	12,7							
DCM-GE 125-2550/A/BAQE/15 T MCE150/C	H (m)	24,5										23,8	23,7	23,4	22,7	22,1	20,0	17,4	13,9						
DCM-GE 150- 955/A/BAQE/5.5 T IE2 MCE55/C	H (m)	9,6														8,1	7,0	6,2	4,9	3,5	2,8				
DCM-GE 150-1322/A/BAQE/7.5T MCE110/C	H (m)	11,8											11,5	11,5	11,4	11,0	10,0	8,5	7,2	6,0	5,5				
DCM-GE 150-1600/A/BAQE/11 T IE2 MCE110/C	H (m)	14,8												14,2	14,2	14,0	13,4	12,5	11,4	10,1	9,4	8,8			
DCM-GE 150-1950/A/BAQE/15 T MCE150/C	H (m)	18,1													17,9	17,8	17,7	17,5	16,9	15,9	14,8	14,0	13,5	10,5	8,9

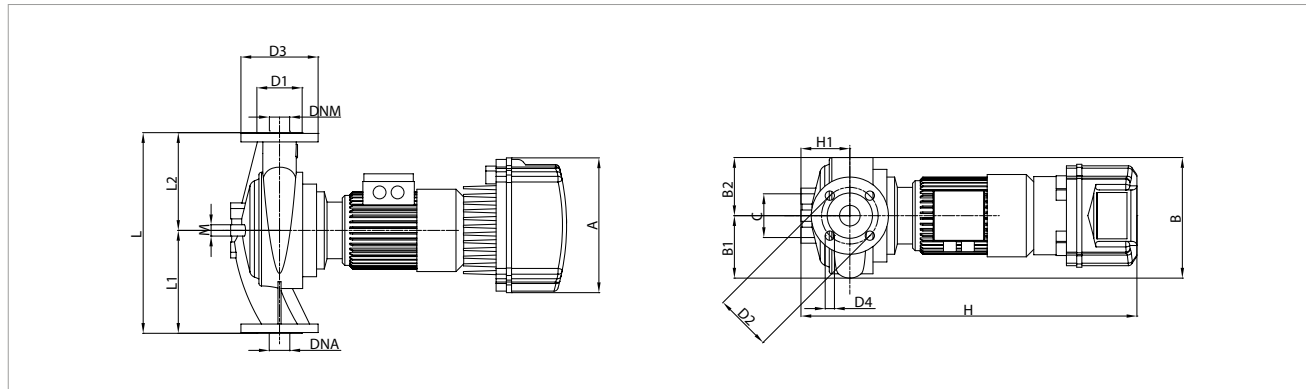
CME 40 4 POLES - ELECTRONIC IN-LINE PUMPS FOR CIRCULATION SYSTEMS - SINGLE, FLANGED, WITH MCE/C INVERTER

Pumped liquid temperature range: from -10 °C to +130 °C - Maximum ambient temperature: +40°C



The MEI values for inverter controlled pumps refer to similar versions without electronics

The performance curves are based on kinematic viscosity values = 1 mm²/s and density equal to 1000 kg/m³. Curve tolerance according to ISO 9906.

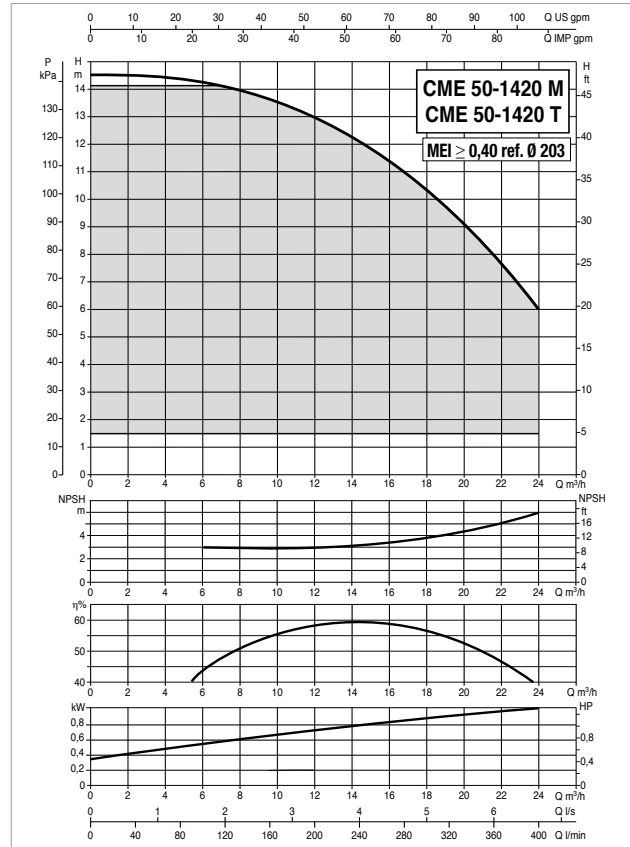
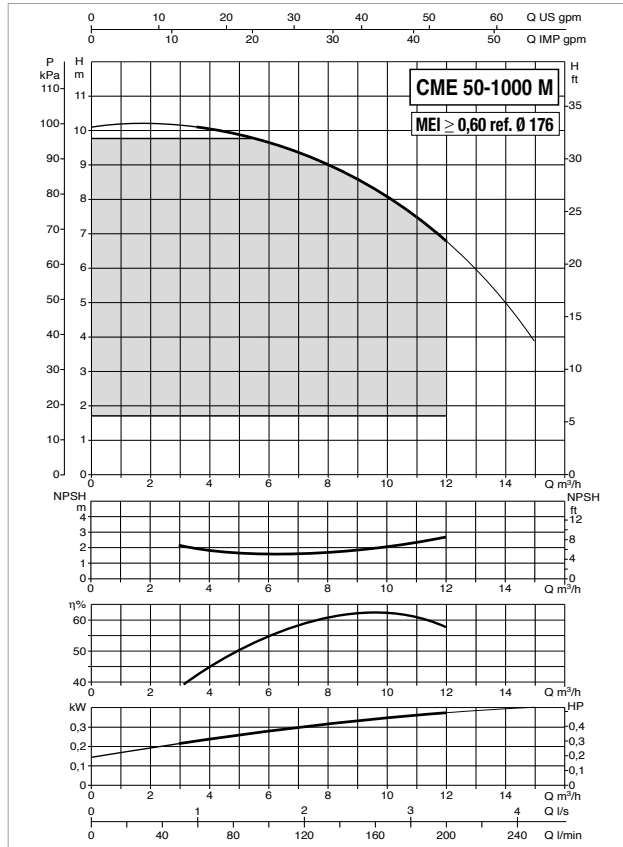


MODEL	ELECTRICAL DATA						
	POWER INPUT 50-60 Hz	TYPE MOTOR	n r.p.m.	P1 MAX W	P2 NOMINAL		In A
					kW	HP	
CME 40- 870 M MCE11/C	1x220-240 V ~	4 poles	1459	0,48	0,75	1	5,0
CME 40-1450 M MCE11/C		4 poles	1450	1,26	0,9	1,2	10,0
CME 40-1450 T MCE30/C IE2	3x400 V ~	4 poles	1450	1,26	0,9	1,2	t.b.d.

MODEL	A	B	B1	B2	C	D1	D2	D3	D4	H	H1	L	L1	L2	M	DNA	DNM	PACKING DIMENSIONS			VOLUME (m ³)	WEIGHT kg
																		L/A	L/B	H		
																		CME 40- 870 M MCE11/C	262	231		
CME 40-1450 M MCE11/C	262	231	118	113	85	88	110	150	4X18	645	100	380	200	180	12	40	40	500	270	810	0,11	35
CME 40-1450 T MCE30/C IE2	262	231	118	113	85	88	110	150	4X18	645	100	380	200	180	12	40	40	500	270	810	0,11	35

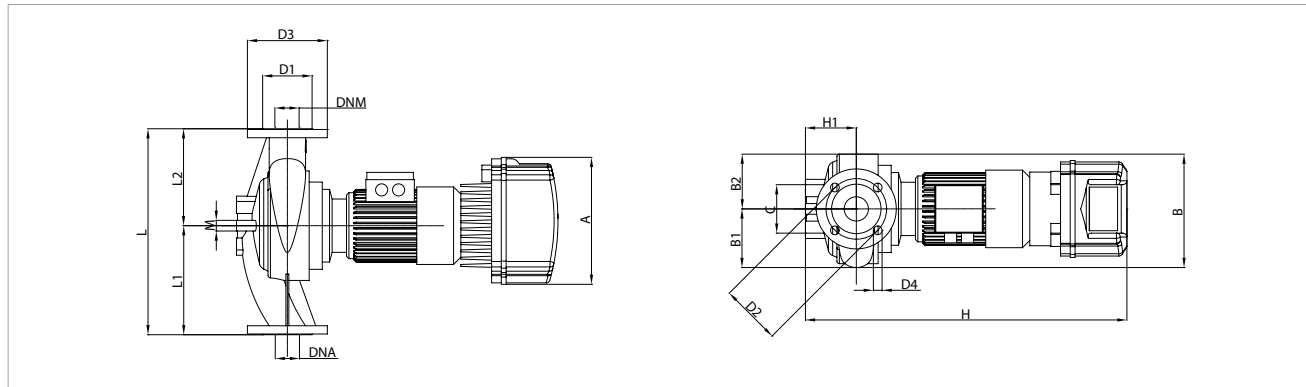
CME 50 4 POLES - ELECTRONIC IN-LINE PUMPS FOR HEATING, AIR CONDITIONING, REFRIGERATION, SOLAR, AND SANITARY SYSTEMS - SINGLE, FLANGED, WITH MCE/C INVERTER

Pumped liquid temperature range: from -10 °C to +130°C - Maximum ambient temperature: +40°C



The MEI values for inverter controlled pumps refer to similar versions without electronics

The performance curves are based on kinematic viscosity values = 1 mm²/s and density equal to 1000 kg/m³. Curve tolerance according to ISO 9906.

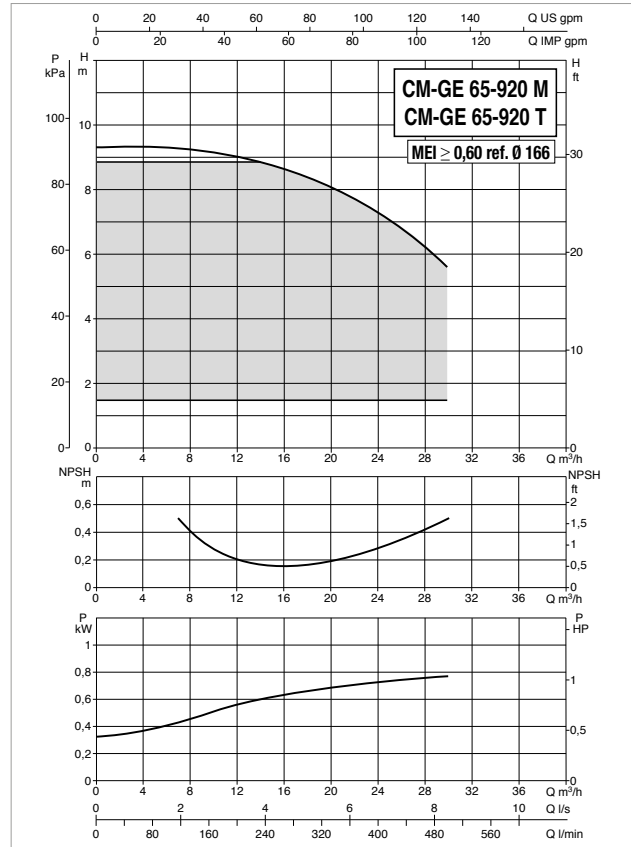
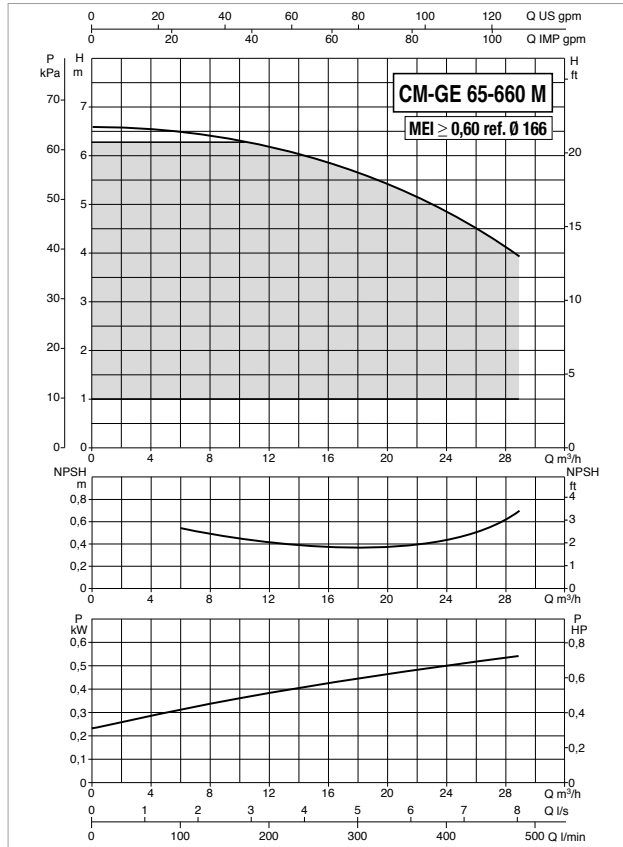


MODEL	ELECTRICAL DATA						
	POWER INPUT 50-60 Hz	MOTOR TYPE	n r.p.m.	P1 MAX W	P2 NOMINAL		In A
					kW	HP	
CME 50-1000 M MCE11/C	1x220-240 V ~	4 poles	1451	0,58	0,75	1	5,6
CME 50-1420 M MCE11/C		4 poles	1450	1,47	1,1	1,5	11,3
CME 50-1420 T MCE30/C IE2	3x400 V ~	4 poles	1450	1,47	1,1	1,5	t.b.d.

MODEL	A	B	B1	B2	C	D1	D2	D3	D4	H	H1	L	L1	L2	M	DNA	DNM	PACKING DIMENSIONS			VOLUME (m ³)	WEIGHT kg
																		L/A	L/B	H		
CME 50-1000 M MCE11/C	262	233	120	113	100	102	125	165	4X18	663	105	425	225	200	12	50	50	500	270	810	0,11	51
CME 50-1420 M MCE11/C	262	280	149	131	-	102	125	165	4X18	695	110	400	220	180	-	50	50	500	270	810	0,11	40
CME 50-1420 T MCE30/C IE2	262	280	149	131	-	102	125	165	4X18	695	110	400	220	180	-	50	50	500	270	810	0,11	40

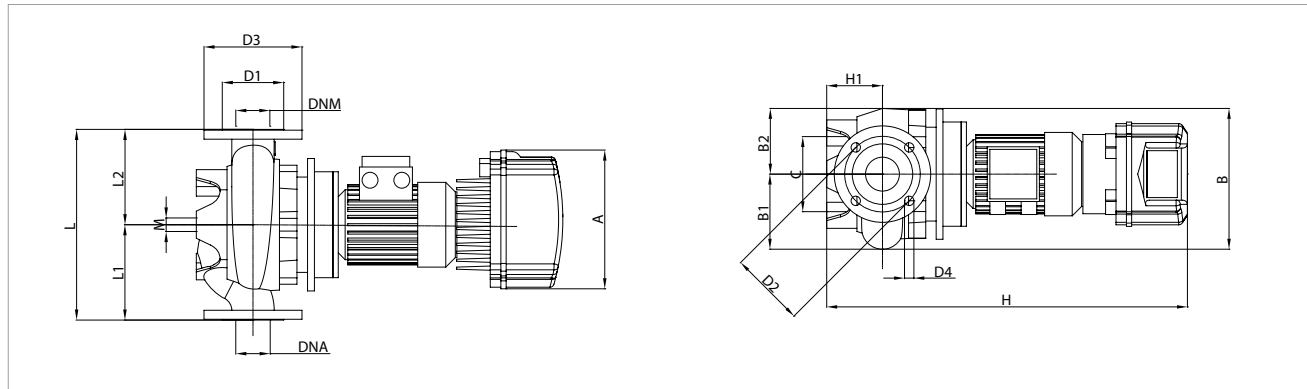
CM-GE 65 4 POLES - ELECTRONIC IN-LINE PUMPS FOR HEATING, AIR CONDITIONING, REFRIGERATION, SOLAR, AND SANITARY SYSTEMS - SINGLE, FLANGED, WITH MCE/C INVERTER

Pumped liquid temperature range: from -10 °C to +140°C - Maximum ambient temperature: +40°C



The MEI values for inverter controlled pumps refer to similar versions without electronics

The performance curves are based on kinematic viscosity values = 1 mm²/s and density equal to 1000 kg/m³. Curve tolerance according to ISO 9906.



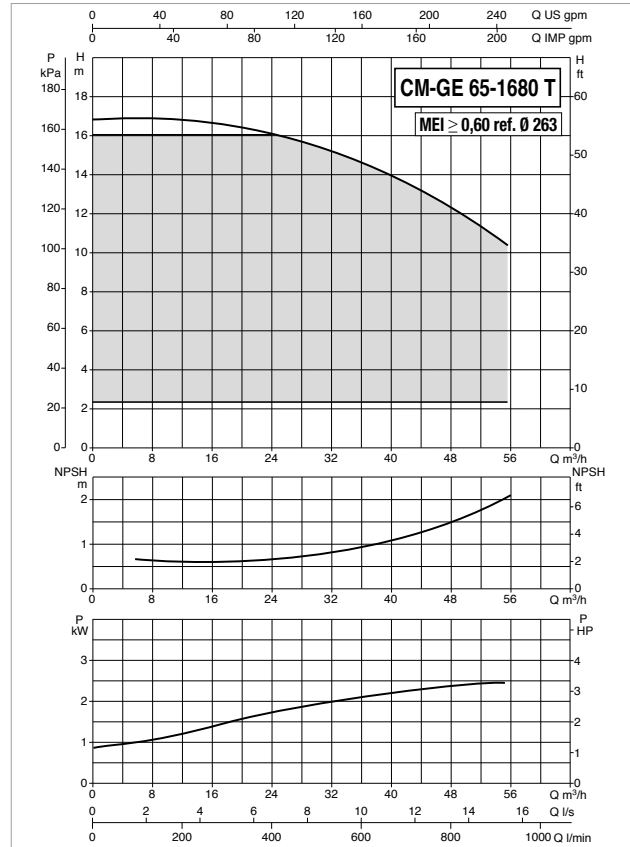
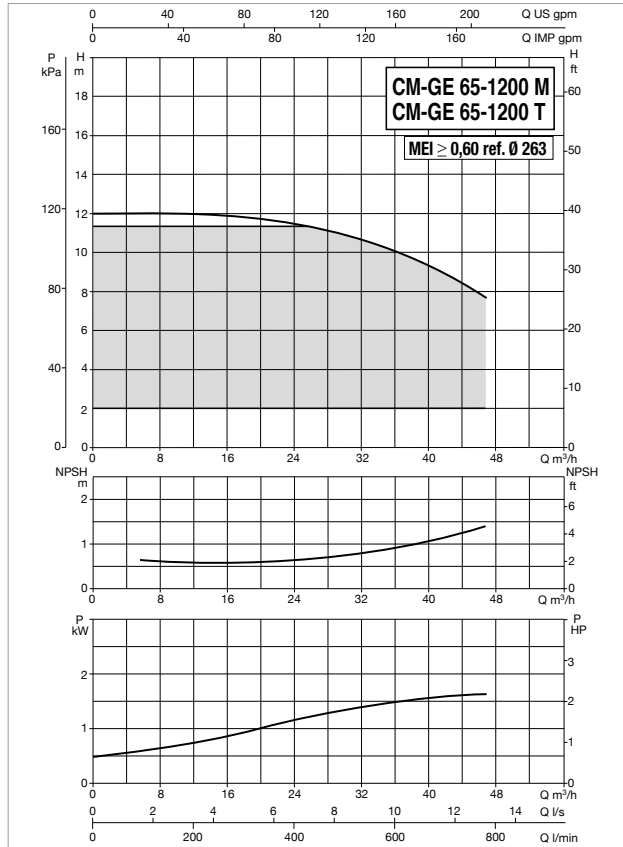
MODEL	ELECTRICAL DATA						
	POWER INPUT 50-60 Hz	MOTOR TYPE	n r.p.m.	P1 MAX W	P2 NOMINAL		In A
					kW	HP	
CM-GE 65- 660/A/BAQE/ 0.55 M MCE11/C IE2 *	1x220-240 V ~	4 poles	1400	0,84	0,55	0,8	7,3
CM-GE 65- 920/A/BAQE/ 0.75 M MCE11/C IE2 *		4 poles	1430	1,23	0,75	1	9,8
CM-GE 65- 920/A/BAQE/ 0.75 T MCE30/C IE2 *	3x400 V ~	4 poles	1430	1,23	0,75	1	t.b.d.

* ΔP-v proportional differential pressure adjustment mode also available.

MODEL	A	B	B1	B2	C	D1	D2	D3	D4	H	H1	L	L1	L2	M	DNA	DNM	PACKING DIMENSIONS			VOLUME (m ³)	WEIGHT kg
																		L/A	L/B	H		
																		CM-GE 65- 660/A/BAQE/ 0.55 M MCE11/C IE2	262	270		
CM-GE 65- 920/A/BAQE/ 0.75 M MCE11/C IE2	262	270	144	126	144	122	145	185	4X18	713	105	360	180	180	16	65	65	650	400	945	0,25	64
CM-GE 65- 920/A/BAQE/ 0.75 T MCE30/C IE2	262	270	144	126	144	122	145	185	4X18	713	105	360	180	180	16	65	65	650	400	945	0,25	64

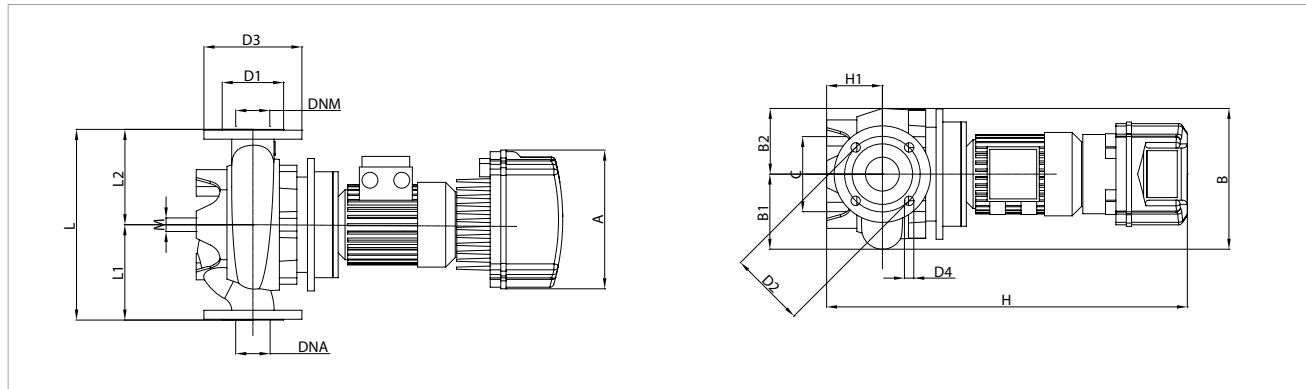
CM-GE 65 4 POLES - ELECTRONIC IN-LINE PUMPS FOR HEATING, AIR CONDITIONING, REFRIGERATION, SOLAR, AND SANITARY SYSTEMS - SINGLE, FLANGED, WITH MCE/C INVERTER

Pumped liquid temperature range: from -10 °C to +140°C - Maximum ambient temperature: +40°C



The MEI values for inverter controlled pumps refer to similar versions without electronics

The performance curves are based on kinematic viscosity values = 1 mm²/s and density equal to 1000 kg/m³. Curve tolerance according to ISO 9906.



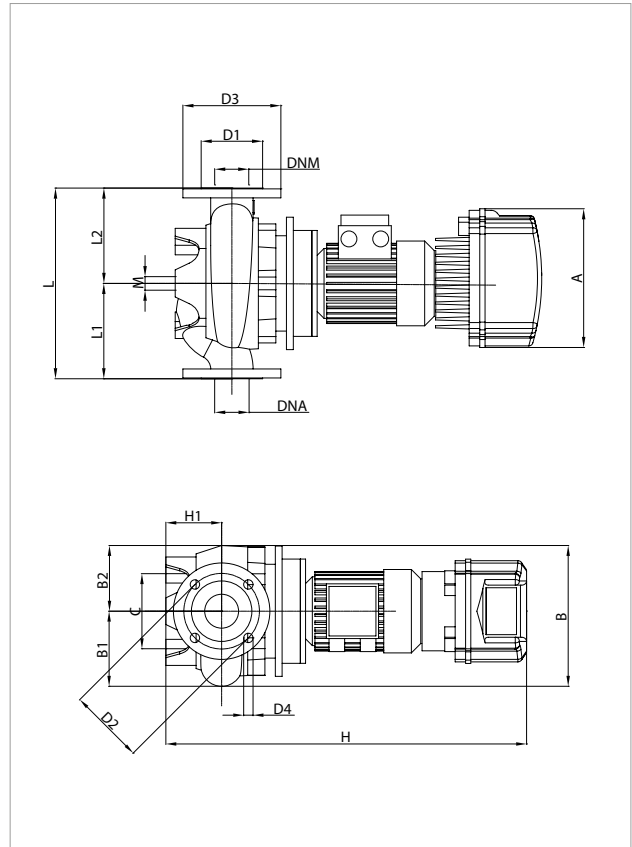
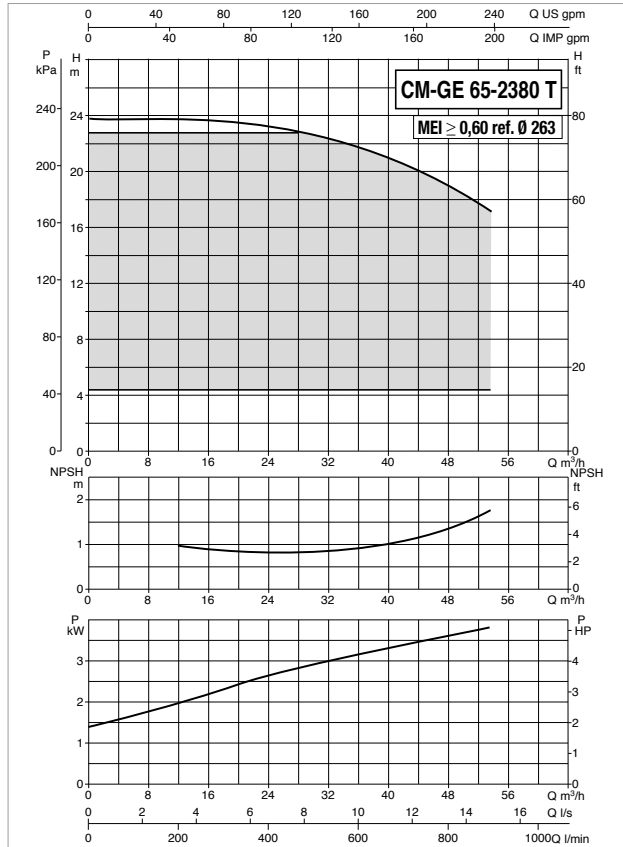
MODEL	ELECTRICAL DATA						
	POWER INPUT 50-60 Hz	MOTOR TYPE	n r.p.m.	P1 MAX W	P2 NOMINAL		In A
					kW	HP	
CM-GE 65-1200/A/BAQE/ 1.5 M MCE15/C IE2 *	1x220-240 V ~	4 poles	1430	2,10	1,5	2	15,4
CM-GE 65-1200/A/BAQE/ 1.5 T MCE30/C IE2 *	3x400 V ~	4 poles	1430	2,10	1,5	2	t.b.d.
CM-GE 65-1680/A/BAQE/ 3 T MCE30/C IE2 *		4 poles	1448	2,83	3	4	6,6

* ΔP-v proportional differential pressure adjustment mode also available.

MODEL	A	B	B1	B2	C	D1	D2	D3	D4	H	H1	L	L1	L2	M	DNA	DNM	PACKING DIMENSIONS			VOLUME (m ³)	WEIGHT kg
																		L/A	L/B	H		
																		CM-GE 65-1200/A/BAQE/ 1.5 M MCE15/C IE2	262	344		
CM-GE 65-1200/A/BAQE/ 1.5 T MCE30/C IE2	262	344	180	164	144	122	145	185	4X18	764	125	475	237,5	237,5	16	65	65	650	400	945	0,25	91
CM-GE 65-1680/A/BAQE/ 3 T MCE30/C IE2	353	344	180	164	144	122	145	185	4X18	821	125	475	237,5	237,5	16	65	65	650	400	945	0,25	101

CM-GE 65 4 POLES - ELECTRONIC IN-LINE PUMPS FOR HEATING, AIR CONDITIONING, REFRIGERATION, SOLAR, AND SANITARY SYSTEMS - SINGLE, FLANGED, WITH MCE/C INVERTER

Pumped liquid temperature range: from -10 °C to +140°C - Maximum ambient temperature: +40°C



The MEI values for inverter controlled pumps refer to similar versions without electronics

The performance curves are based on kinematic viscosity values = 1 mm²/s and density equal to 1000 kg/m³. Curve tolerance according to ISO 9906.

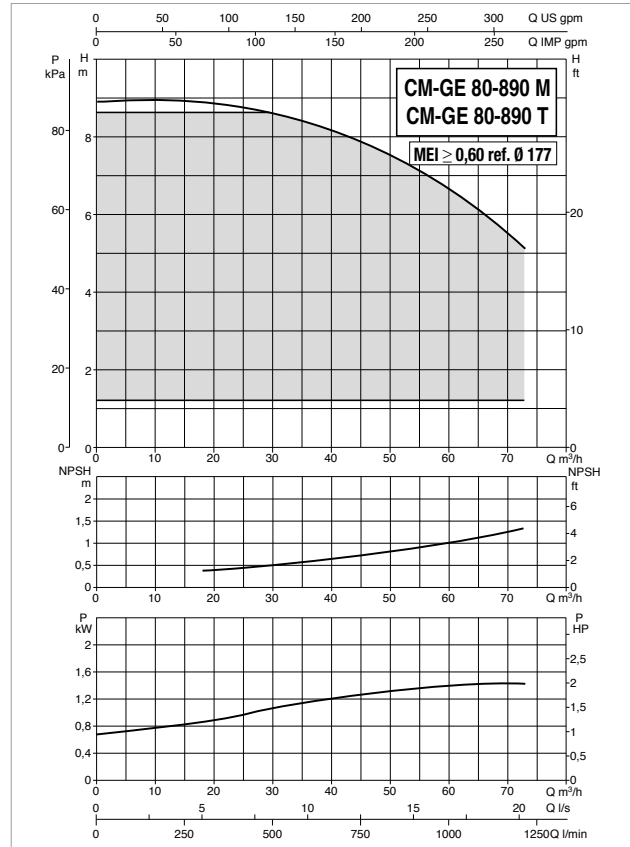
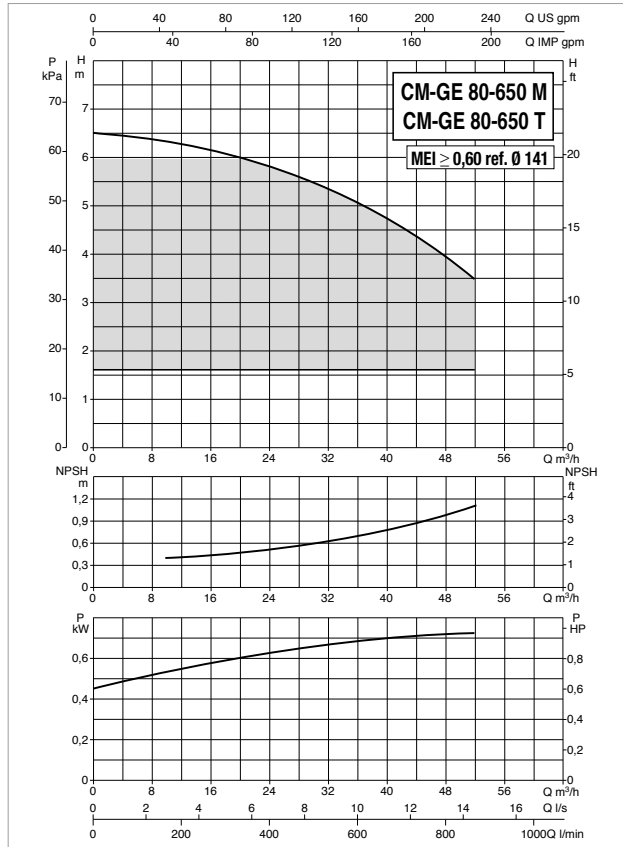
MODEL	ELECTRICAL DATA						
	POWER INPUT 50-60 Hz	TYPE MOTOR	n r.p.m.	P1 MAX W	P2 NOMINAL		In A
					kW	HP	
CM-GE 65-2380/A/BAQE/ 4 T MCE30/C IE2 *	3x400 V ~	4 poles	1449	4,47	4	5,5	9,5

* ΔP-v proportional differential pressure adjustment mode also available.

MODEL	A	B	B1	B2	C	D1	D2	D3	D4	H	H1	L	L1	L2	M	DNA	DNM	PACKING DIMENSIONS			VOLUME (m ³)	WEIGHT kg
																		L/A	L/B	H		
CM-GE 65-2380/A/BAQE/ 4 T MCE30/C IE2	353	344	180	164	144	122	145	185	4X18	821	125	475	237,5	237,5	16	65	65	650	400	945	0,25	115

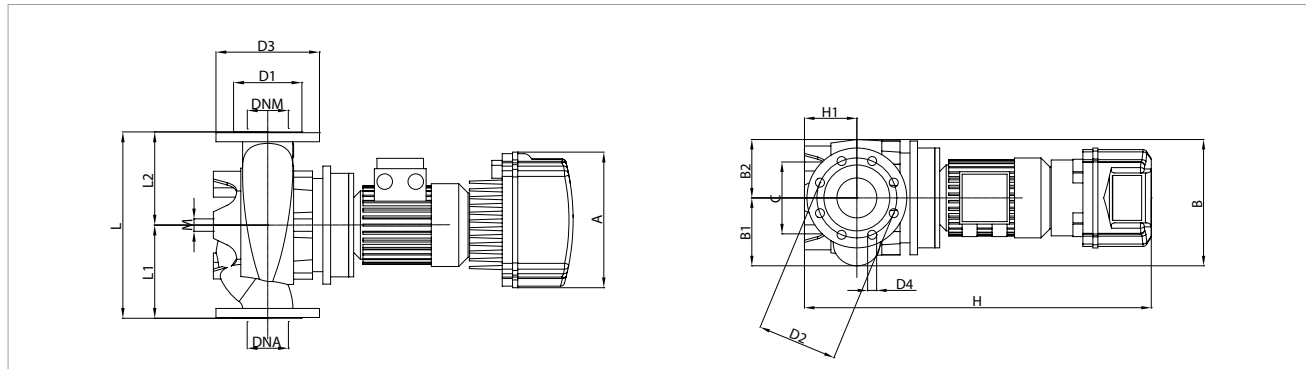
CM-GE 80 4 POLES - ELECTRONIC IN-LINE PUMPS FOR HEATING, AIR CONDITIONING, REFRIGERATION, SOLAR, AND SANITARY SYSTEMS - SINGLE, FLANGED, WITH MCE/C INVERTER

Pumped liquid temperature range: from -10 °C to +140°C - Maximum ambient temperature: +40°C



The MEI values for inverter controlled pumps refer to similar versions without electronics

The performance curves are based on kinematic viscosity values = 1 mm²/s and density equal to 1000 kg/m³. Curve tolerance according to ISO 9906.



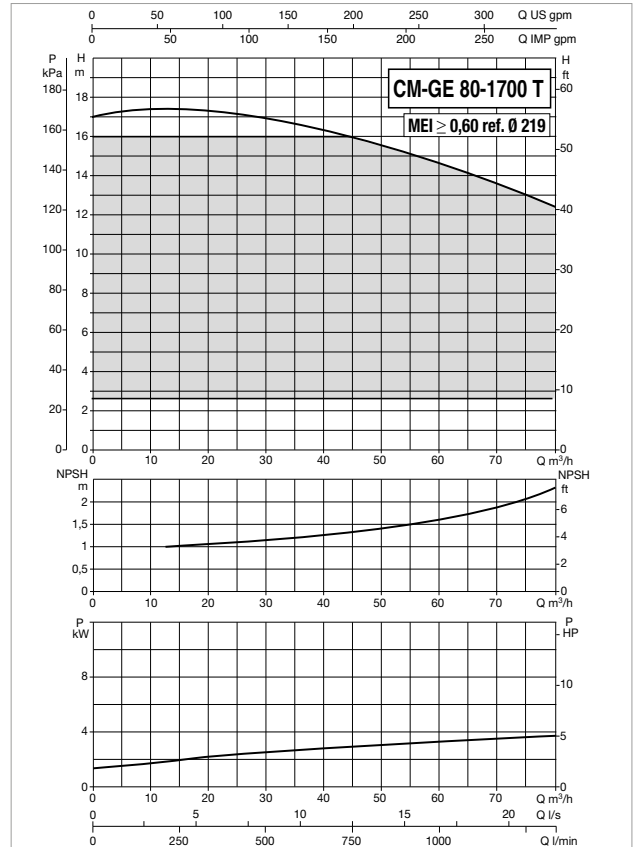
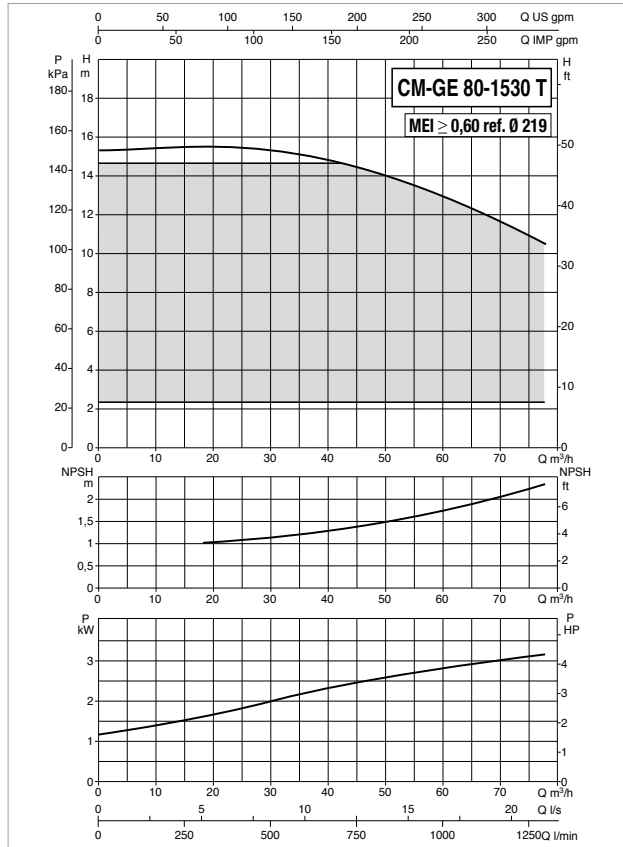
MODEL	ELECTRICAL DATA						
	POWER INPUT 50-60 Hz	MOTOR TYPE	n r.p.m.	P1 MAX W	P2 NOMINAL		In A
					kW	HP	
CM-GE 80- 650/A/BAQE/ 0.75 M MCE11/C IE2 *	1x220-240 V ~	4 poles	1430	1,24	0,75	1	9,8
CM-GE 80- 650/A/BAQE/ 0.75 T MCE30/C IE2 *	3x400 V ~	4 poles	1430	1,24	0,75	1	t.b.d.
CM-GE 80- 890/A/BAQE/ 1.5 M MCE15/C IE2 *	1x220-240 V ~	4 poles	1430	2,07	1,5	2	15,2
CM-GE 80- 890/A/BAQE/ 1.5 T MCE30/C IE2 *	3x400 V ~	4 poles	1430	2,07	1,5	2	t.b.d.

* ΔP-v proportional differential pressure adjustment mode also available.

MODEL	A	B	B1	B2	C	D1	D2	D3	D4	H	H1	L	L1	L2	M	DNA	DNM	PACKING DIMENSIONS			VOLUME (m ³)	WEIGHT kg
																		L/A	L/B	H		
CM-GE 80- 650/A/BAQE/ 0.75 M MCE11/C IE2	262	252	135	117	144	138	160	200	8X18	716	105	360	180	180	16	80	80	650	400	945	0,25	67
CM-GE 80- 650/A/BAQE/ 0.75 T MCE30/C IE2	262	252	135	117	144	138	160	200	8X18	716	105	360	180	180	16	80	80	650	400	945	0,25	67
CM-GE 80- 890/A/BAQE/ 1.5 M MCE15/C IE2	262	324	178	146	144	138	160	200	8X18	765	115	440	220	220	16	80	80	650	400	945	0,25	98
CM-GE 80- 890/A/BAQE/ 1.5 T MCE30/C IE2	262	324	178	146	144	138	160	200	8X18	765	115	440	220	220	16	80	80	650	400	945	0,25	98

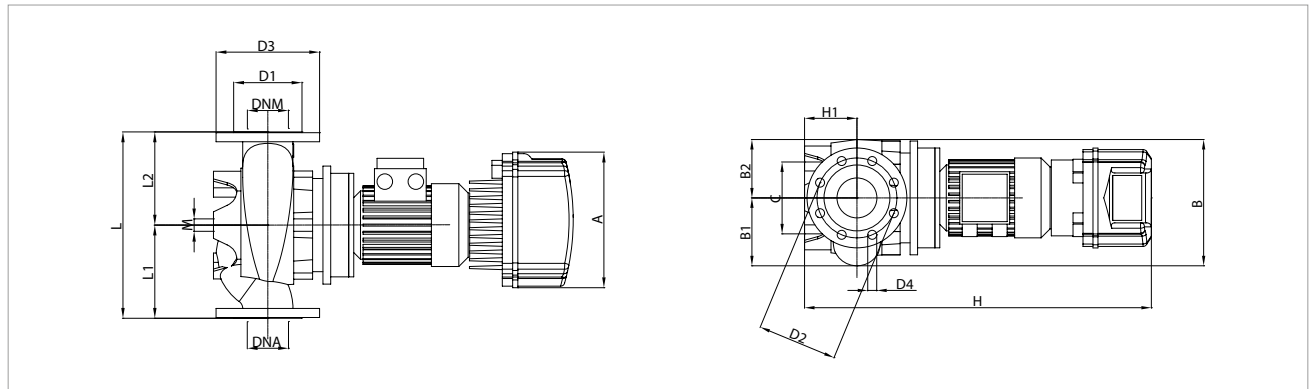
CM-GE 80 4 POLES - , ELECTRONIC IN-LINE PUMPS FOR HEATING, AIR CONDITIONING, REFRIGERATION, SOLAR, AND SANITARY SYSTEMS - SINGLE, FLANGED, WITH MCE/C INVERTER

Pumped liquid temperature range: from -10 °C to +140°C - Maximum ambient temperature: +40°C



The MEI values for inverter controlled pumps refer to similar versions without electronics

The performance curves are based on kinematic viscosity values = 1 mm²/s and density equal to 1000 kg/m³. Curve tolerance according to ISO 9906.



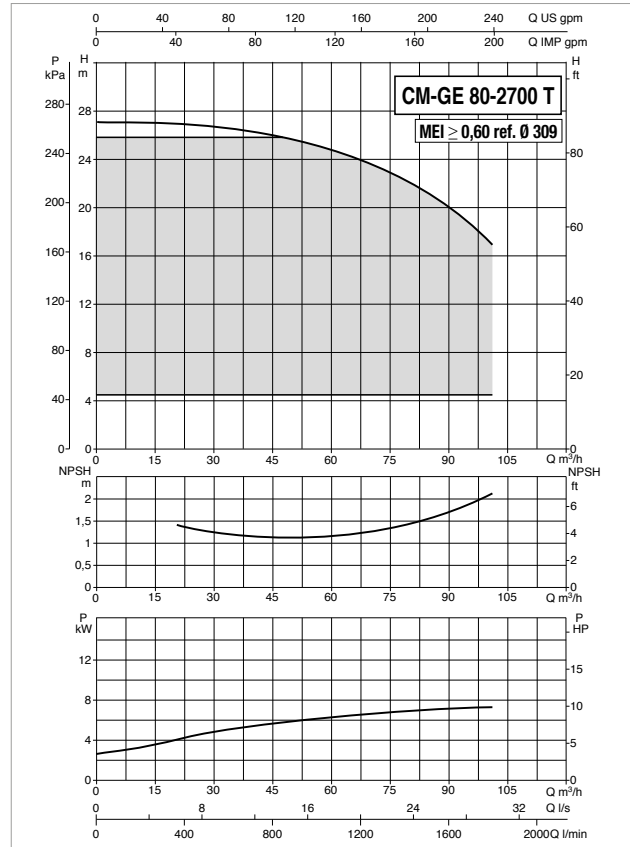
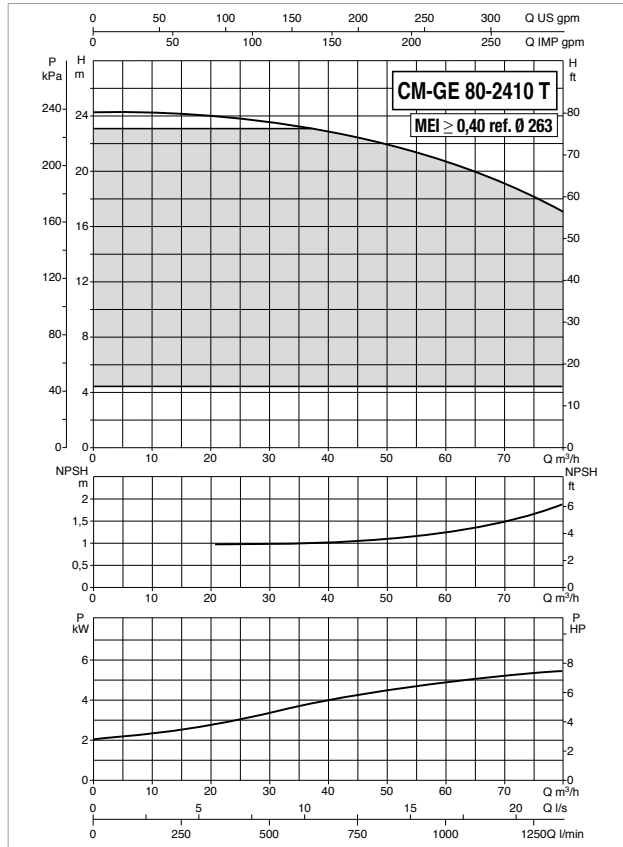
MODEL	ELECTRICAL DATA						
	POWER INPUT 50-60 Hz	MOTOR TYPE	n r.p.m.	P1 MAX W	P2 NOMINAL		In A
					kW	HP	
CM-GE 80-1530/A/BAQE/ 3 T MCE30/C IE2 *	3x400 V ~	4 poles	1441	3,74	3	4	8,0
CM-GE 80-1700/A/BAQE/ 4 T MCE55/C IE2 *		4 poles	1452	4,13	4	5,5	8,9

* ΔP-v proportional differential pressure adjustment mode also available.

MODEL	A	B	B1	B2	C	D1	D2	D3	D4	H	H1	L	L1	L2	M	DNA	DNM	PACKING DIMENSIONS			VOLUME (m ³)	WEIGHT kg
																		L/A	L/B	H		
CM-GE 80-1530/A/BAQE/ 3 T MCE30/C IE2	353	354	190	164	144	138	160	200	8X18	822	115	500	250	250	16	80	80	650	400	945	0,25	134
CM-GE 80-1700/A/BAQE/ 4 T MCE55/C IE2	353	354	190	164	144	138	160	200	8X18	822	115	500	250	250	16	80	80	650	400	945	0,25	147

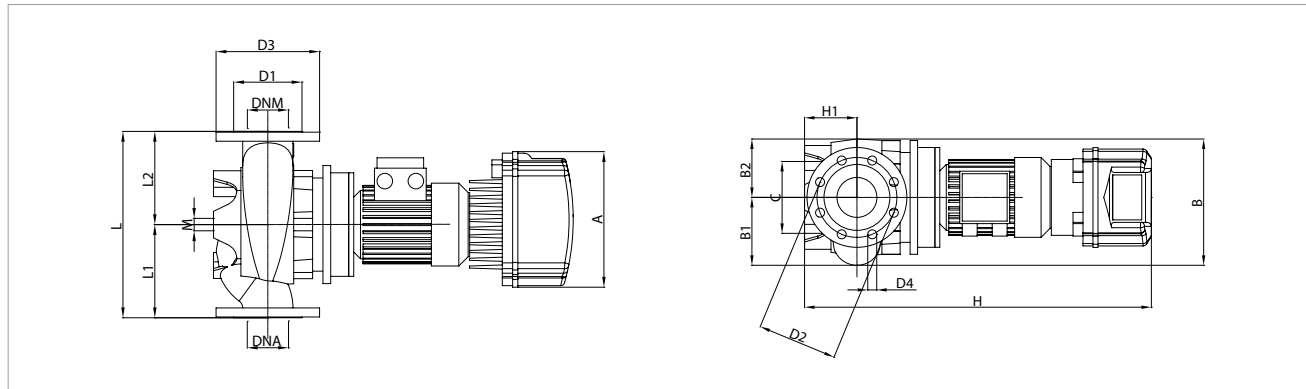
CM-GE 80 4 POLES - , ELECTRONIC IN-LINE PUMPS FOR HEATING, AIR CONDITIONING, REFRIGERATION, SOLAR, AND SANITARY SYSTEMS - SINGLE, FLANGED, WITH MCE/C INVERTER

Pumped liquid temperature range: from -10 °C to +140°C - Maximum ambient temperature: +40°C



The MEI values for inverter controlled pumps refer to similar versions without electronics

The performance curves are based on kinematic viscosity values = 1 mm²/s and density equal to 1000 kg/m³. Curve tolerance according to ISO 9906.



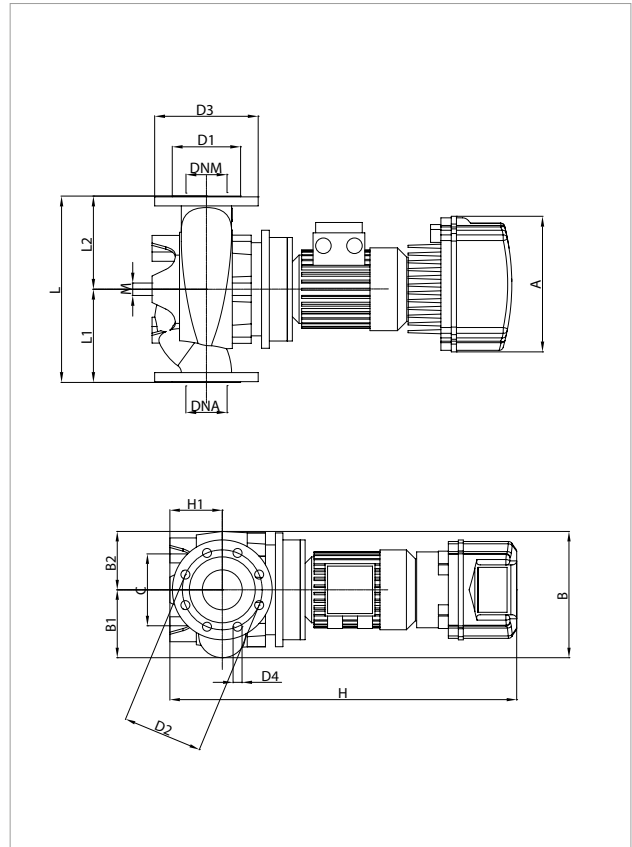
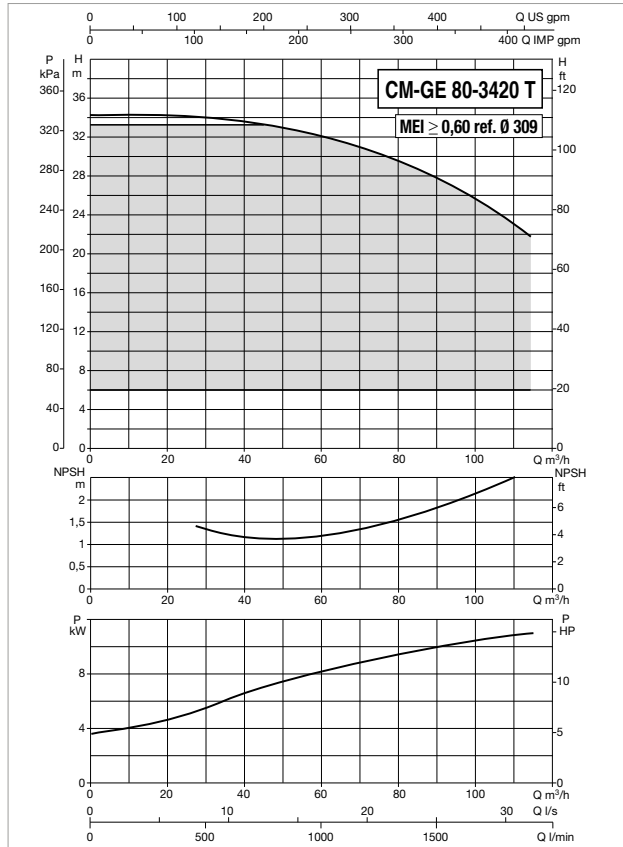
MODEL	ELECTRICAL DATA						
	POWER INPUT 50-60 Hz	MOTOR TYPE	n r.p.m.	P1 MAX W	P2 NOMINAL		In A
					kW	HP	
CM-GE 80-2410/A/BAQE/ 5.5 T MCE55/C IE2 *	3x400 V ~	4 poles	1461	6,80	5,5	7,5	13,8
CM-GE 80-2700/A/BAQE/ 7.5 T MCE110/C IE2		4 poles	1463	9,15	7,5	10	18,6

* ΔP-v proportional differential pressure adjustment mode also available.

MODEL	A	B	B1	B2	C	D1	D2	D3	D4	H	H1	L	L1	L2	M	DNA	DNM	PACKING DIMENSIONS			VOLUME (m ³)	WEIGHT kg
																		L/A	L/B	H		
																		CM-GE 80-2410/A/BAQE/ 5.5 T MCE55/C IE2	353	469		
CM-GE 80-2700/A/BAQE/ 7.5 T MCE110/C IE2	426	469	245	224	230	138	160	200	8X18	1115	140	620	310	310	16	80	80	700	600	1220	0,51	205

CM-GE 80 4 POLES - , ELECTRONIC IN-LINE PUMPS FOR HEATING, AIR CONDITIONING, REFRIGERATION, SOLAR, AND SANITARY SYSTEMS - SINGLE, FLANGED, WITH MCE/C INVERTER

Pumped liquid temperature range: from -10 °C to +140°C - Maximum ambient temperature: +40°C



The MEI values for inverter controlled pumps refer to similar versions without electronics

The performance curves are based on kinematic viscosity values = 1 mm²/s and density equal to 1000 kg/m³. Curve tolerance according to ISO 9906.

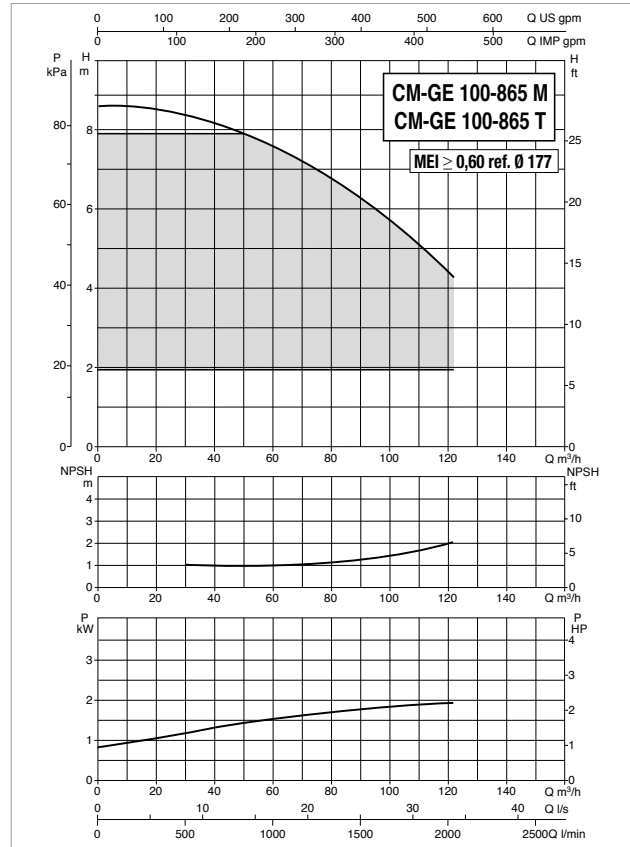
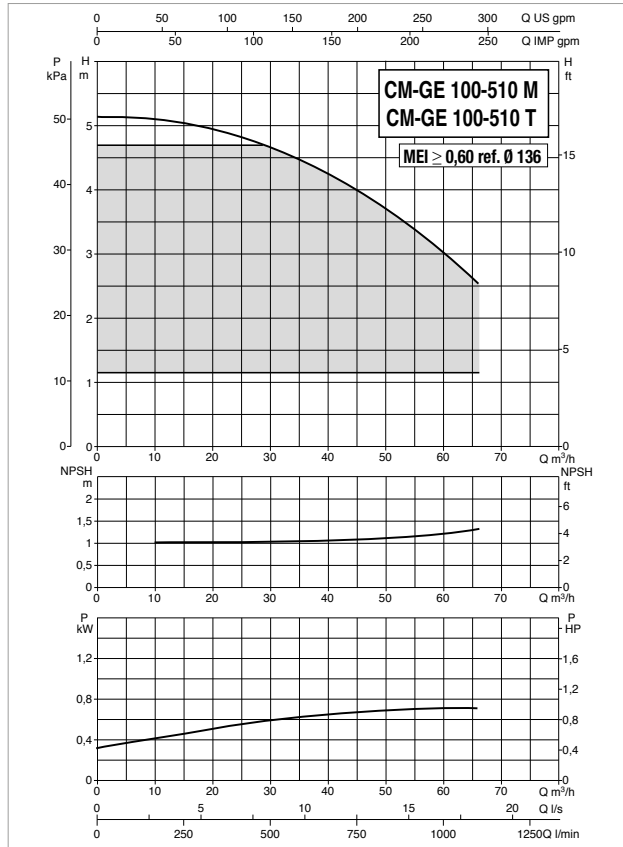
MODEL	ELECTRICAL DATA						
	POWER INPUT 50-60 Hz	MOTOR TYPE	n r.p.m.	P1 MAX W	P2 NOMINAL		I _n A
					kW	HP	
CM-GE 80-3420/A/BAQE/ 11 T MCE110/C IE2 *	3x400 V ~	4 poles	1472	13,36	11	15	28,1

* ΔP-v proportional differential pressure adjustment mode also available.

MODEL	A	B	B1	B2	C	D1	D2	D3	D4	H	H1	L	L1	L2	M	DNA	DNM	PACKING DIMENSIONS			VOLUME (m ³)	WEIGHT kg
																		L/A	L/B	H		
CM-GE 80-3420/A/BAQE/ 11 T MCE110/C IE2	426	469	245	224	230	138	160	200	8X18	1115	140	620	310	310	16	80	80	700	600	1220	0,51	222

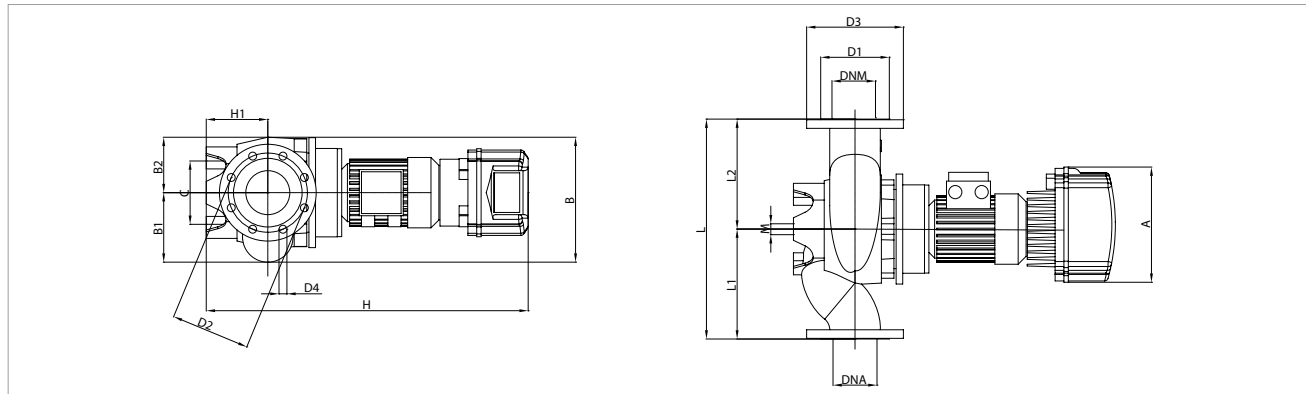
CM-GE 100 4 POLES - ELECTRONIC IN-LINE PUMPS FOR HEATING, AIR CONDITIONING, REFRIGERATION, SOLAR, AND SANITARY SYSTEMS - SINGLE, FLANGED, WITH MCE/C INVERTER

Pumped liquid temperature range: from -10 °C to +140°C - Maximum ambient temperature: +40°C



The MEI values for inverter controlled pumps refer to similar versions without electronics

The performance curves are based on kinematic viscosity values = 1 mm²/s and density equal to 1000 kg/m³. Curve tolerance according to ISO 9906.



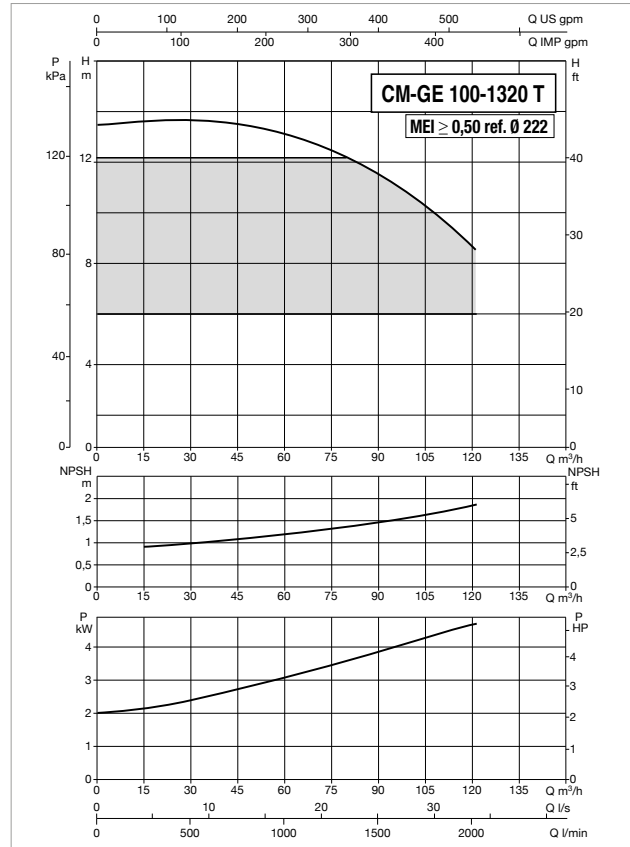
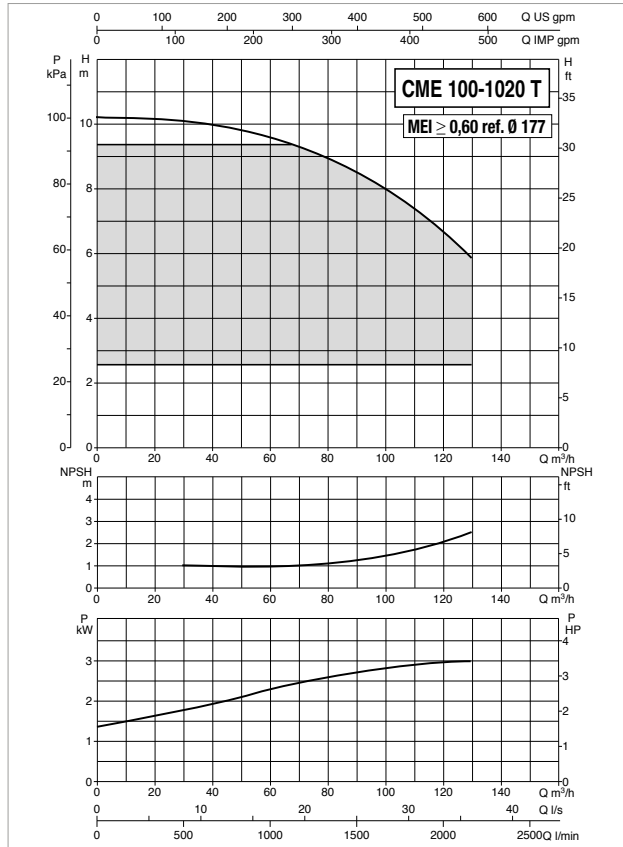
MODEL	ELECTRICAL DATA						
	POWER INPUT 50-60 Hz	MOTOR TYPE	n r.p.m.	P1 MAX W	P2 NOMINAL		In A
					kW	HP	
CM-GE 100- 510/A/BAQE/ 0.75 M MCE11/C IE2 *	1x220-240 V ~	4 poles	1430	1,21	0,75	1	9,7
CM-GE 100- 510/A/BAQE/ 0.75 T MCE30/C IE2 *	3x400 V ~	4 poles	1430	1,21	0,75	1	t.b.d.
CM-GE 100- 865/A/BAQE/ 2.2 M MCE22/C IE2 *	1x220-240 V ~	4 poles	1438	2,94	2,2	3	20,7
CM-GE 100- 865/A/BAQE/ 2.2 T MCE30/C IE2 *	3x400 V ~	4 poles	1438	2,94	2,2	3	6,4

* ΔP-v proportional differential pressure adjustment mode also available.

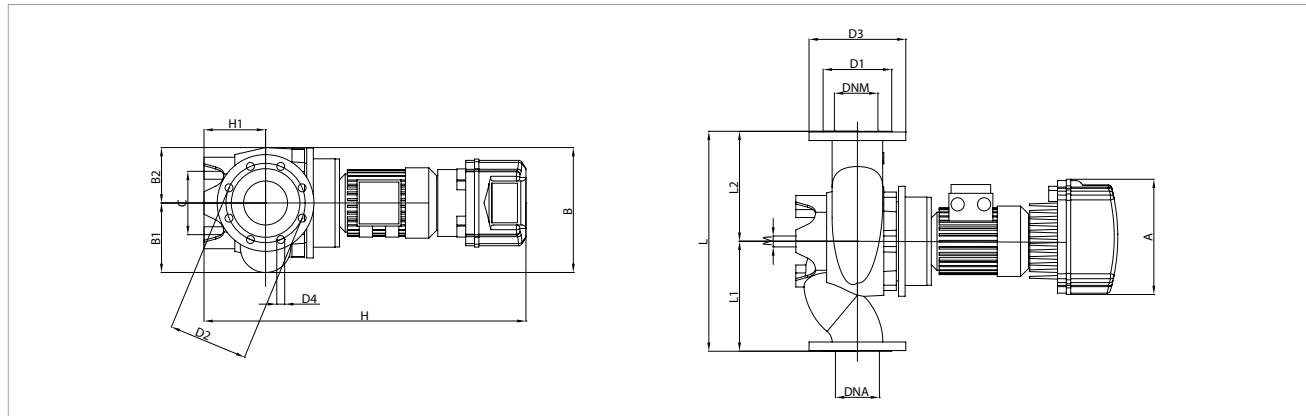
MODEL	A	B	B1	B2	C	D1	D2	D3	D4	H	H1	L	L1	L2	M	DNA	DNM	PACKING DIMENSIONS			VOLUME (m ³)	WEIGHT kg
																		L/A	L/B	H		
CM-GE 100- 510/A/BAQE/ 0.75 M MCE11/C IE2	262	284	158	126	144	158	180	220	8x18	753	140	500	250	250	16	100	100	650	400	945	0,25	104
CM-GE 100- 510/A/BAQE/ 0.75 T MCE30/C IE2	262	284	158	126	144	158	180	220	8x18	753	140	500	250	250	16	100	100	650	400	945	0,25	104
CM-GE 100- 865/A/BAQE/ 2.2 M MCE22/C IE2	262	215	192	152	230	158	180	220	8x19	865	140	550	275	275	16	100	100	650	400	945	0,25	123
CM-GE 100- 865/A/BAQE/ 2.2 T MCE30/C IE2	353	215	192	152	230	158	180	220	8x20	862	140	550	275	275	16	100	100	650	400	945	0,25	126

CM-GE 100 4 POLES - ELECTRONIC IN-LINE PUMPS FOR HEATING, AIR CONDITIONING, REFRIGERATION, SOLAR, AND SANITARY SYSTEMS - SINGLE, FLANGED, WITH MCE/C INVERTER

Pumped liquid temperature range: from -10 °C to +140°C - Maximum ambient temperature: +40°C



The MEI values for inverter controlled pumps refer to similar versions without electronics
 The performance curves are based on kinematic viscosity values = 1 mm²/s and density equal to 1000 kg/m³. Curve tolerance according to ISO 9906.



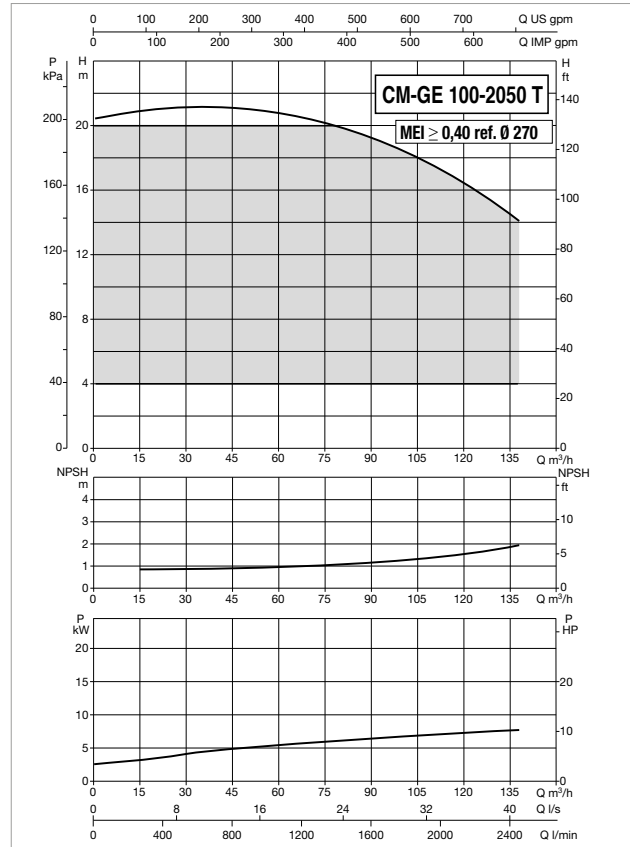
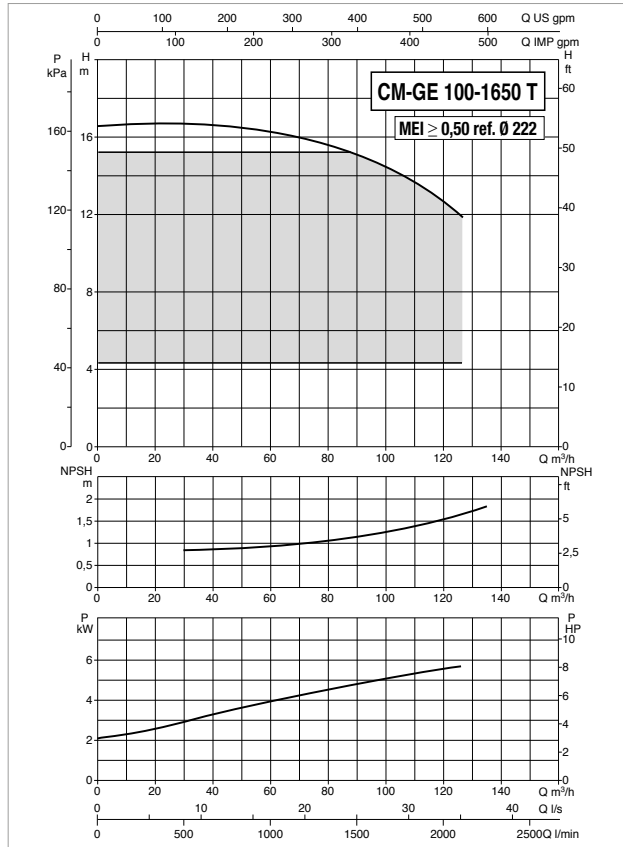
MODEL	ELECTRICAL DATA						
	POWER INPUT 50-60 Hz	MOTOR TYPE	n r.p.m.	P1 MAX W	P2 NOMINAL		In A
					kW	HP	
CM-GE 100-1020/A/BAQE/ 3 T MCE30/C IE2 *	3x400 V ~	4 poles	1441	3,77	3	4	8,1
CM-GE 100-1320/A/BAQE/4 T MCE55/C IE2 *		4 poles	1450	4,81	4	5,5	10

* ΔP-v proportional differential pressure adjustment mode also available.

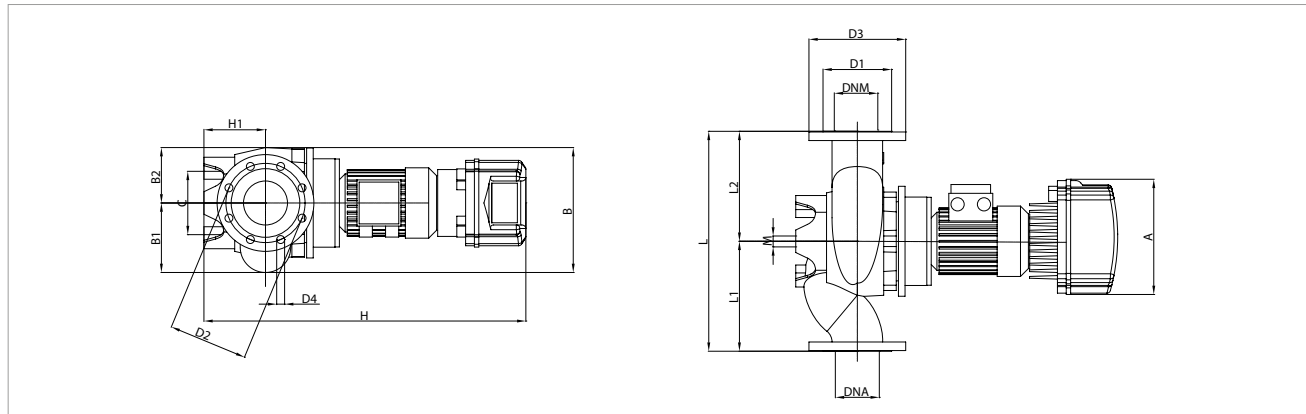
MODEL	A	B	B1	B2	C	D1	D2	D3	D4	H	H1	L	L1	L2	M	DNA	DNM	PACKING DIMENSIONS			VOLUME (m ³)	WEIGHT kg
																		L/A	L/B	H		
CM-GE 100-1020/A/BAQE/ 3 T MCE30/C IE2	353	346	193	153	230	158	180	220	8x18	844	140	550	275	275	16	100	100	650	400	945	0,25	118
CM-GE 100-1320/A/BAQE/4 T MCE55/C IE2	353	378	204	174	230	158	180	220	8x18	881	140	550	275	275	16	100	100	650	400	945	0,25	150

CM-GE 100 4 POLES - ELECTRONIC IN-LINE PUMPS FOR HEATING, AIR CONDITIONING, REFRIGERATION, SOLAR, AND SANITARY SYSTEMS - SINGLE, FLANGED, WITH MCE/C INVERTER

Pumped liquid temperature range: from -10 °C to +140°C - Maximum ambient temperature: +40°C



The MEI values for inverter controlled pumps refer to similar versions without electronics
The performance curves are based on kinematic viscosity values = 1 mm²/s and density equal to 1000 kg/m³. Curve tolerance according to ISO 9906.



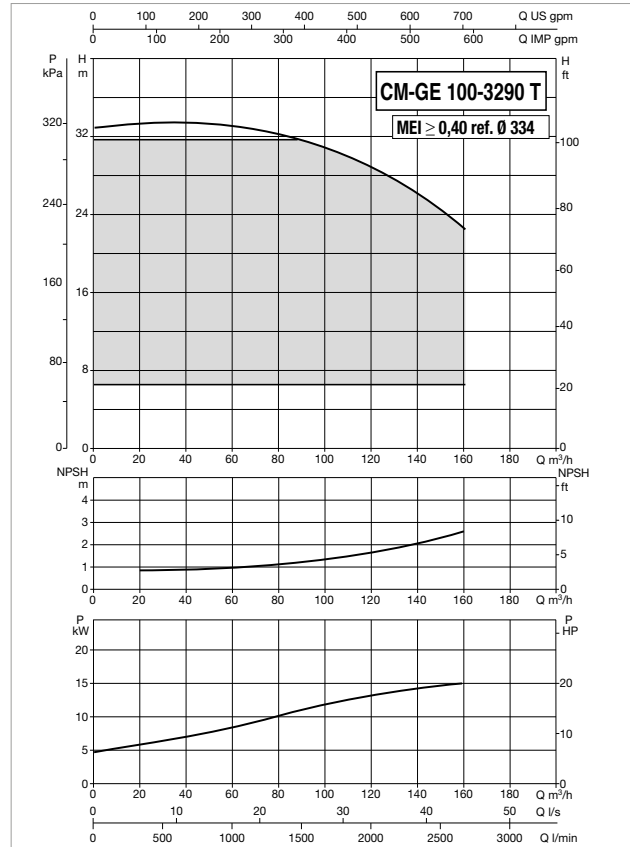
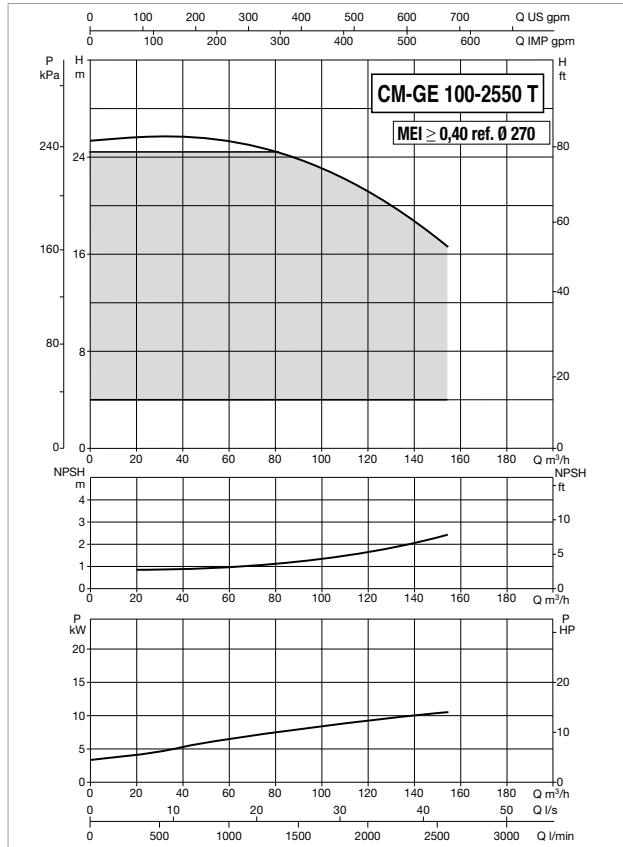
MODEL	ELECTRICAL DATA						
	POWER INPUT 50-60 Hz	MOTOR TYPE	n r.p.m.	P1 MAX W	P2 NOMINAL		In A
					kW	HP	
CM-GE 100-1650/A/BAQE/ 5.5 T MCE55/C IE2 *	3x400 V ~	4 poles	1464	7,27	5,5	7,5	14,6
CM-GE 100-2050/A/BAQE/ 7.5 T MCE110/C IE2		4 poles	1461	8,89	7,5	10	18,1

* ΔP-v proportional differential pressure adjustment mode also available.

MODEL	A	B	B1	B2	C	D1	D2	D3	D4	H	H1	L	L1	L2	M	DNA	DNM	PACKING DIMENSIONS			VOLUME (m ³)	WEIGHT kg
																		L/A	L/B	H		
CM-GE 100-1650/A/BAQE/ 5.5 T MCE55/C IE2	353	378	204	174	230	158	180	220	8x18	1021	140	550	275	275	16	100	100	650	400	945	0,25	172
CM-GE 100-2050/A/BAQE/ 7.5 T MCE110/C IE2	426	545	293	252	230	158	180	220	8x18	1155	175	670	335	335	16	100	100	700	600	1220	0,51	252

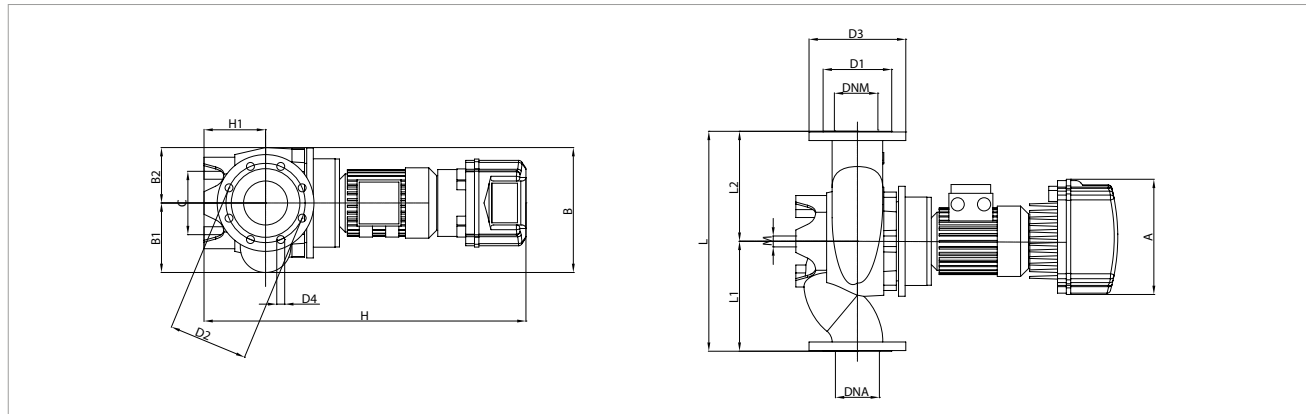
CM-GE 100 4 POLES - , ELECTRONIC IN-LINE PUMPS FOR HEATING, AIR CONDITIONING, REFRIGERATION, SOLAR, AND SANITARY SYSTEMS - SINGLE, FLANGED, WITH MCE/C INVERTER

Pumped liquid temperature range: from -10 °C to +140°C - Maximum ambient temperature: +40°C



The MEI values for inverter controlled pumps refer to similar versions without electronics

The performance curves are based on kinematic viscosity values = 1 mm²/s and density equal to 1000 kg/m³. Curve tolerance according to ISO 9906.



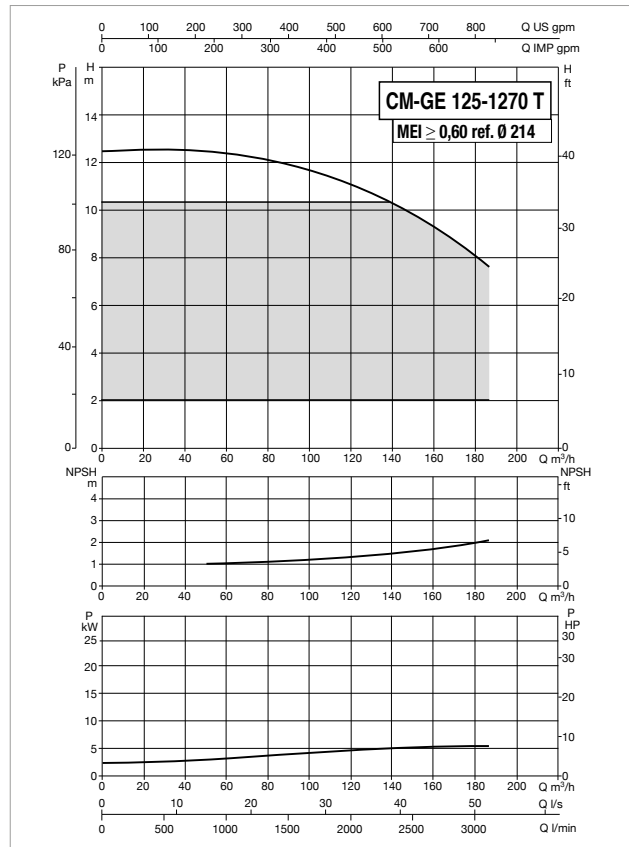
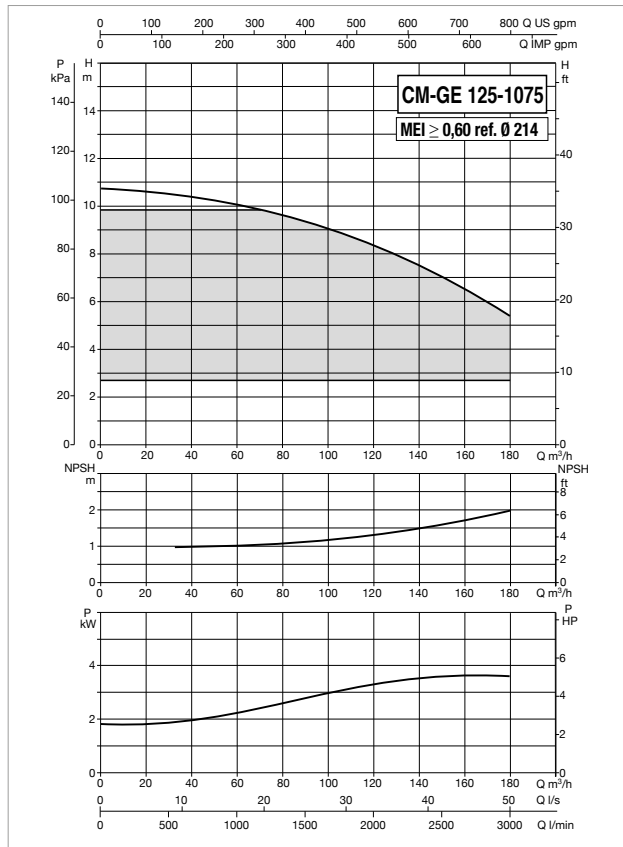
MODEL	ELECTRICAL DATA						
	POWER INPUT 50-60 Hz	MOTOR TYPE	n r.p.m.	P1 MAX W	P2 NOMINAL		In A
					kW	HP	
CM-GE 100-2550/A/BAQE/ 11 T MCE110/C IE2 *	3x400 V ~	4 poles	1470	12,74	11	15	27
CM-GE 100-3290/A/BAQE/ 15 T MCE150/C IE2		4 poles	1471	17,91	15	20	37,1

* ΔP-v proportional differential pressure adjustment mode also available.

MODEL	A	B	B1	B2	C	D1	D2	D3	D4	H	H1	L	L1	L2	M	DNA	DNM	PACKING DIMENSIONS			VOLUME (m ³)	WEIGHT kg
																		L/A	L/B	H		
CM-GE 100-2550/A/BAQE/ 11 T MCE110/C IE2	426	545	293	252	230	158	180	220	8x18	1155	175	670	335	335	16	100	100	700	600	1220	0,51	255
CM-GE 100-3290/A/BAQE/ 15 T MCE150/C IE2	426	545	293	252	230	158	180	220	8x18	1357	175	670	335	335	16	100	100	900	550	1200	0,51	350

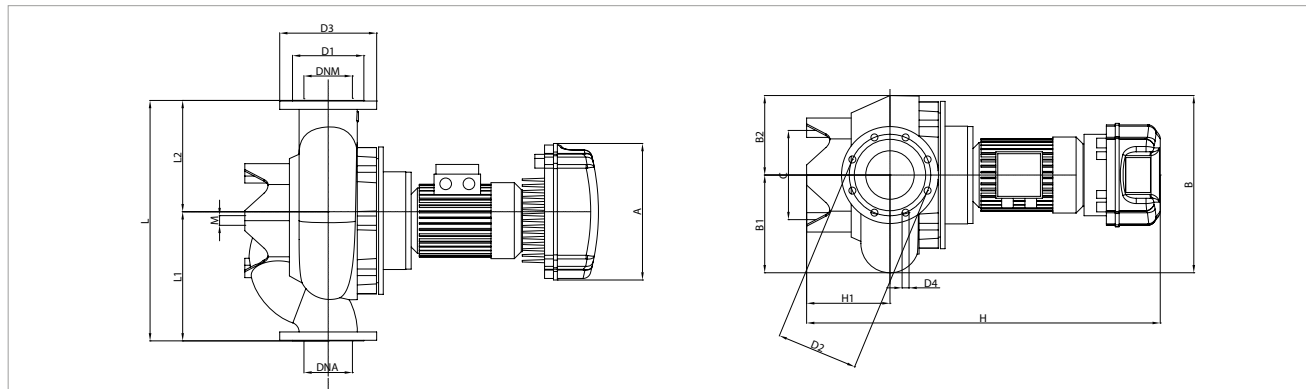
CM-GE 125 4 POLES - ELECTRONIC IN-LINE PUMPS FOR HEATING, AIR CONDITIONING, REFRIGERATION, SOLAR, AND SANITARY SYSTEMS - SINGLE, FLANGED, WITH MCE/C INVERTER

Pumped liquid temperature range: from -10 °C to +140°C - Maximum ambient temperature: +40°C



The MEI values for inverter controlled pumps refer to similar versions without electronics

The performance curves are based on kinematic viscosity values = 1 mm²/s and density equal to 1000 kg/m³. Curve tolerance according to ISO 9906.



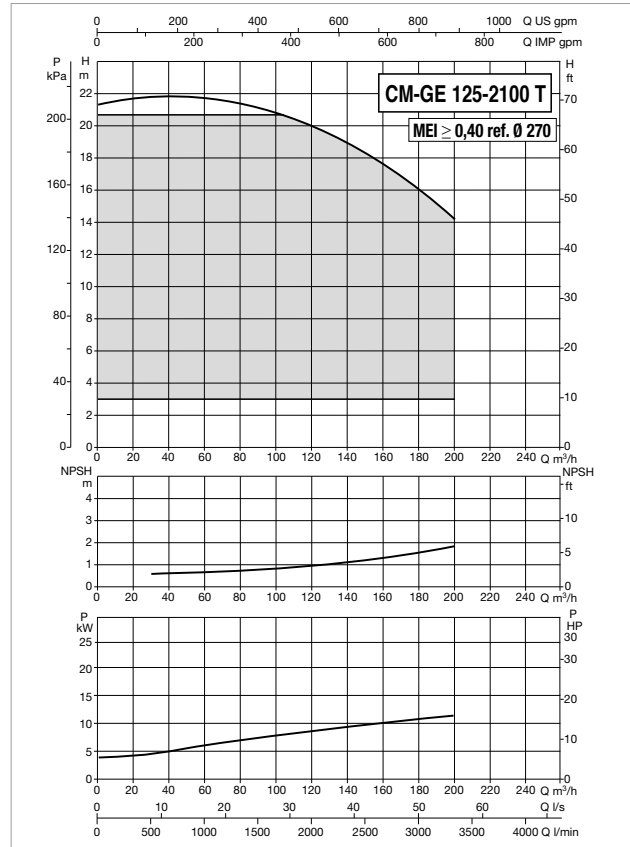
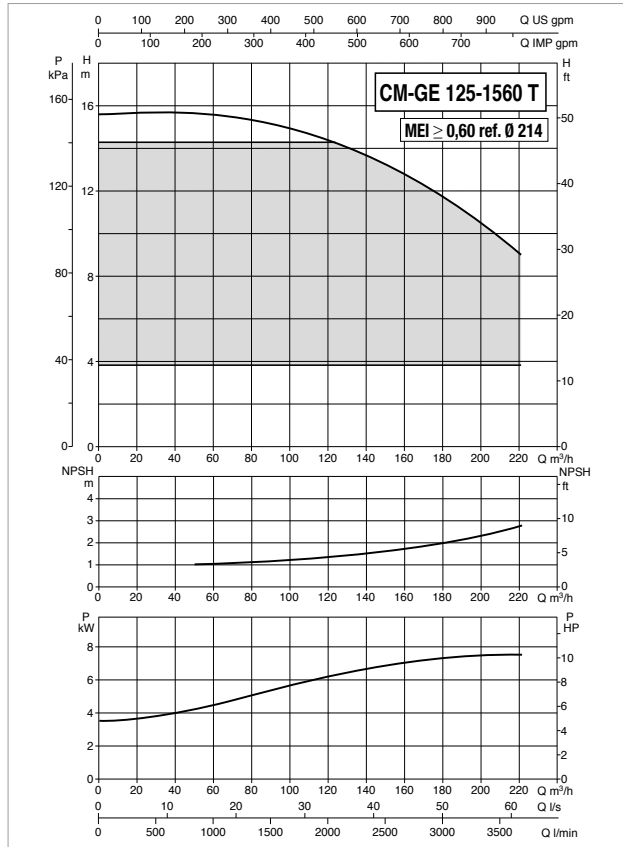
MODEL	ELECTRICAL DATA						
	POWER INPUT 50-60 Hz	MOTOR TYPE	n r.p.m.	P1 MAX W	P2 NOMINAL		In A
					kW	HP	
CM-GE 125-1075/A/BAQE/ 4 T MCE55/C IE2	3x400 V ~	4 poles	1455	5,38	4	5,5	11
CM-GE 125-1270/A/BAQE/ 5.5 T MCE55/C IE2 *		4 poles	1465	7,55	5,5	7,5	15,2

* ΔP-v proportional differential pressure adjustment mode also available.

MODEL	A	B	B1	B2	C	D1	D2	D3	D4	H	H1	L	L1	L2	M	DNA	DNM	PACKING DIMENSIONS			VOLUME (m ³)	WEIGHT kg
																		L/A	L/B	H		
CM-GE 125-1075/A/BAQE/ 4 T MCE55/C IE2	353	457	252	205	230	188	210	250	8X18	962	215	620	310	310	16	125	125	700	600	1220	0,51	207
CM-GE 125-1270/A/BAQE/ 5.5 T MCE55/C IE2	353	457	252	205	230	188	210	250	8X18	1101	215	620	310	310	16	125	125	700	600	1220	0,51	209

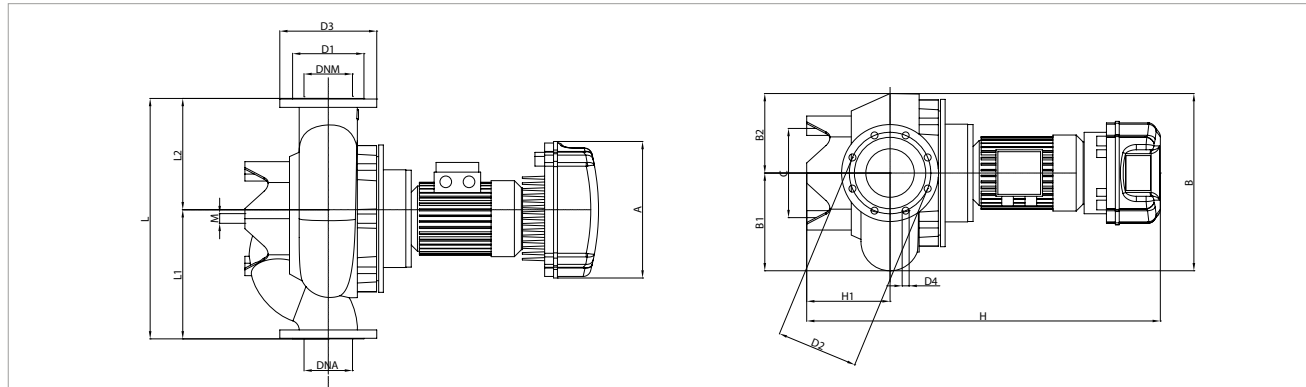
CM-GE 125 4 POLES - , ELECTRONIC IN-LINE PUMPS FOR HEATING, AIR CONDITIONING, REFRIGERATION, SOLAR, AND SANITARY SYSTEMS - SINGLE, FLANGED, WITH MCE/C INVERTER

Pumped liquid temperature range: from -10 °C to +140°C - Maximum ambient temperature: +40°C



The MEI values for inverter controlled pumps refer to similar versions without electronics

The performance curves are based on kinematic viscosity values = 1 mm²/s and density equal to 1000 kg/m³. Curve tolerance according to ISO 9906.



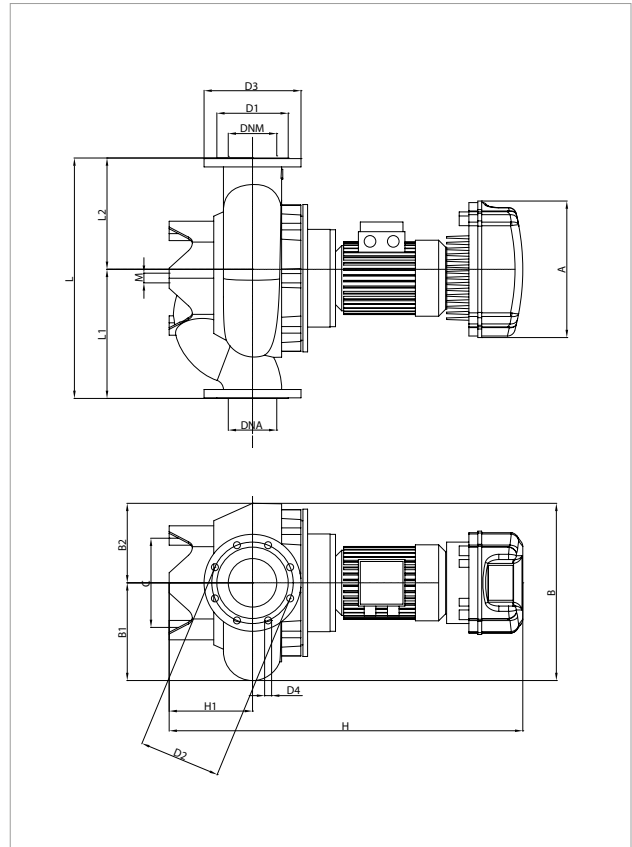
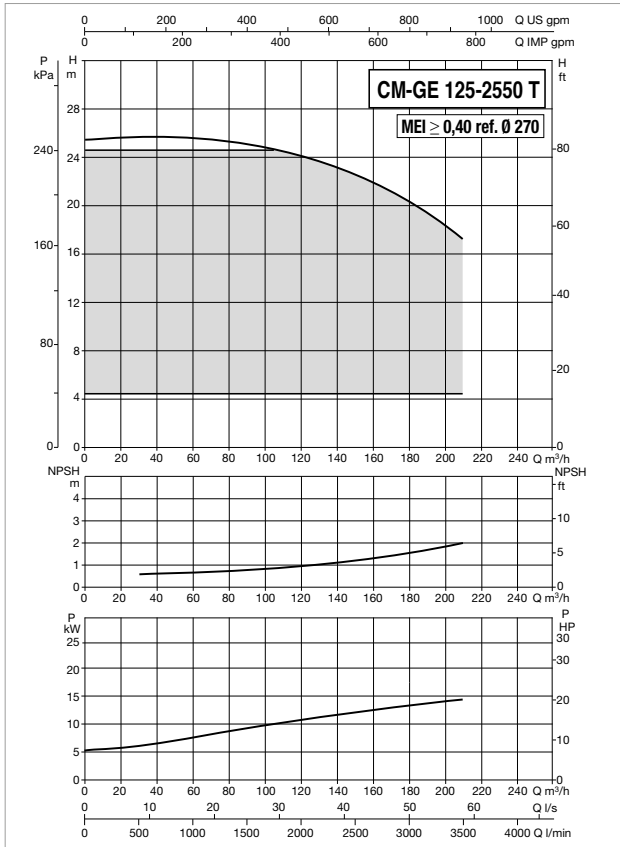
MODEL	ELECTRICAL DATA						
	POWER INPUT 50-60 Hz	MOTOR TYPE	n r.p.m.	P1 MAX W	P2 NOMINAL		In A
					kW	HP	
CM-GE 125-1560/A/BAQE/ 7.5 T MCE110/C IE2 *	3x400 V ~	4 poles	1469	9,93	7,5	10	20,0
CM-GE 125-2100/A/BAQE/ 11 T MCE110/C IE2		4 poles	1475	14,30	11	15	29,8

* ΔP-v proportional differential pressure adjustment mode also available.

MODEL	A	B	B1	B2	C	D1	D2	D3	D4	H	H1	L	L1	L2	M	DNA	DNM	PACKING DIMENSIONS			VOLUME (m ³)	WEIGHT kg
																		L/A	L/B	H		
CM-GE 125-1560/A/BAQE/ 7.5 T MCE110/C IE2	426	457	252	205	230	188	210	250	8X18	1199	215	620	310	310	16	125	125	700	600	1220	0,51	228
CM-GE 125-2100/A/BAQE/ 11 T MCE110/C IE2	426	519	274	245	230	188	210	250	8X18	1267	215	800	400	400	16	125	125	900	550	1200	0,59	307

CM-GE 125 4 POLES - ELECTRONIC IN-LINE PUMPS FOR HEATING, AIR CONDITIONING, REFRIGERATION, SOLAR, AND SANITARY SYSTEMS - SINGLE, FLANGED, WITH MCE/C INVERTER

Pumped liquid temperature range: from -10 °C to +140°C - Maximum ambient temperature: +40°C



The MEI values for inverter controlled pumps refer to similar versions without electronics
The performance curves are based on kinematic viscosity values = 1 mm²/s and density equal to 1000 kg/m³. Curve tolerance according to ISO 9906.

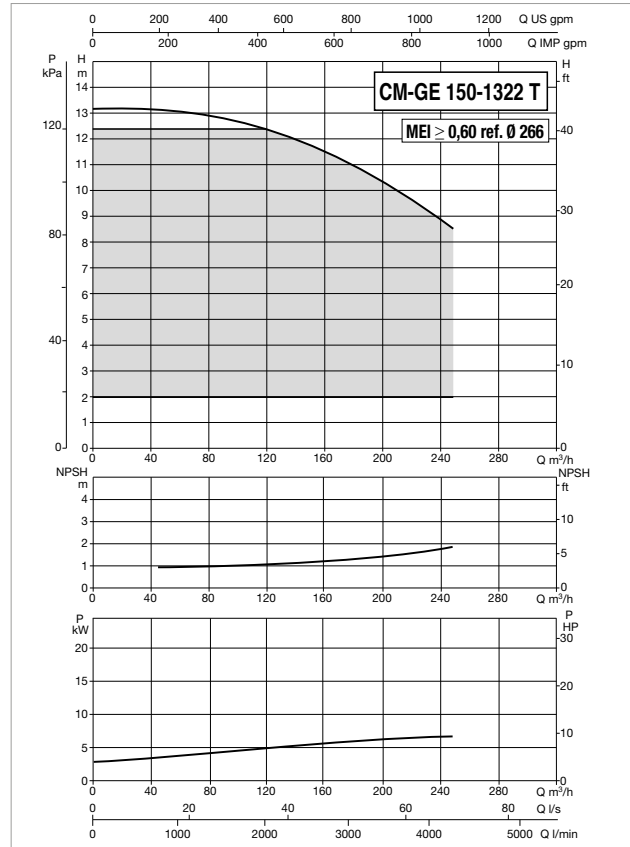
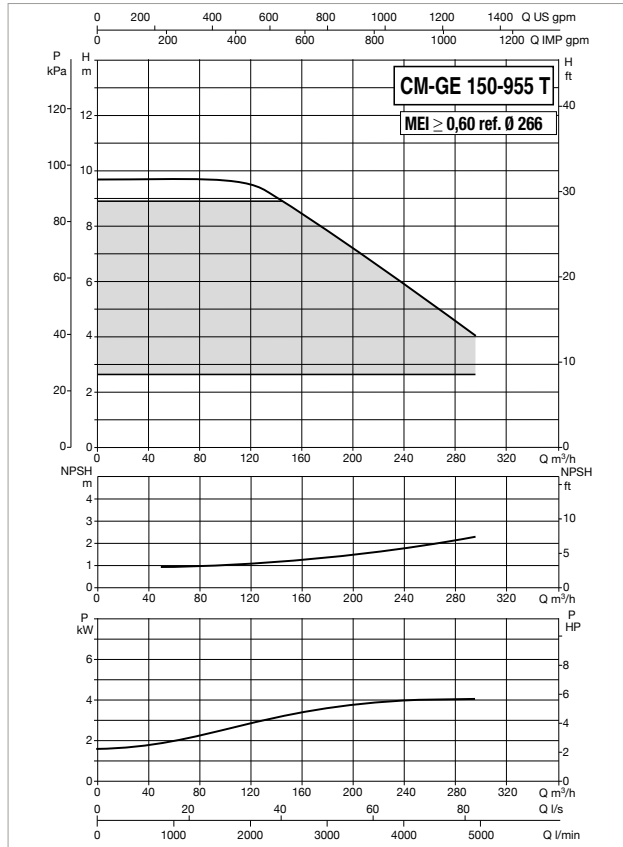
MODEL	ELECTRICAL DATA						
	POWER INPUT 50-60 Hz	MOTOR TYPE	n r.p.m.	P1 MAX W	P2 NOMINAL		In A
					kW	HP	
CM-GE 125-2550/A/BAQE/ 15 T MCE150/C IE2 *	3x400 V ~	4 poles	1470	17,07	15	20	35,6

* ΔP-v proportional differential pressure adjustment mode also available.

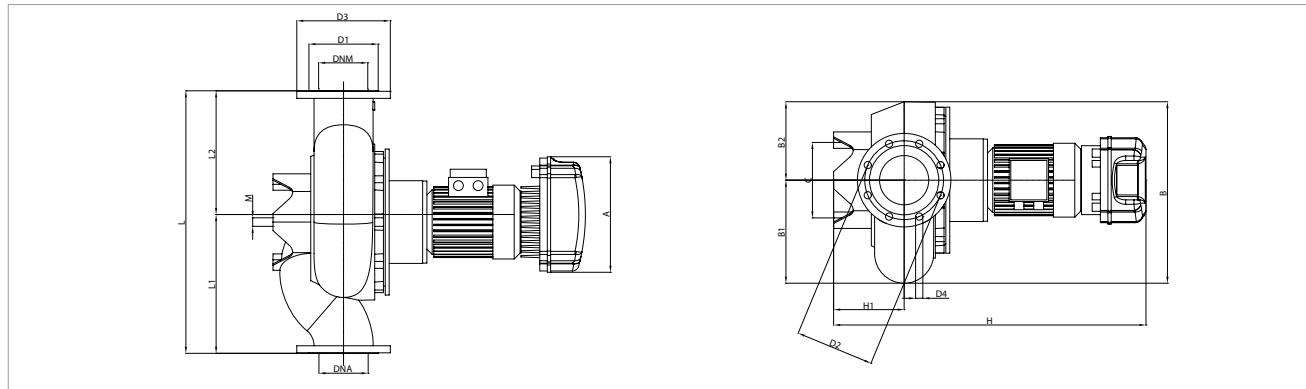
MODEL	A	B	B1	B2	C	D1	D2	D3	D4	H	H1	L	L1	L2	M	DNA	DNM	PACKING DIMENSIONS			VOLUME (m ³)	WEIGHT kg
																		L/A	L/B	H		
																		CM-GE 125-2550/A/BAQE/ 15 T MCE150/C IE2	426	519		

CM-GE 150 4 POLES - ELECTRONIC IN-LINE PUMPS FOR HEATING, AIR CONDITIONING, REFRIGERATION, SOLAR, AND SANITARY SYSTEMS - SINGLE, FLANGED, WITH MCE/C INVERTER

Pumped liquid temperature range: from -10 °C to +140°C - Maximum ambient temperature: +40°C



The MEI values for inverter controlled pumps refer to similar versions without electronics
 The performance curves are based on kinematic viscosity values = 1 mm²/s and density equal to 1000 kg/m³. Curve tolerance according to ISO 9906.

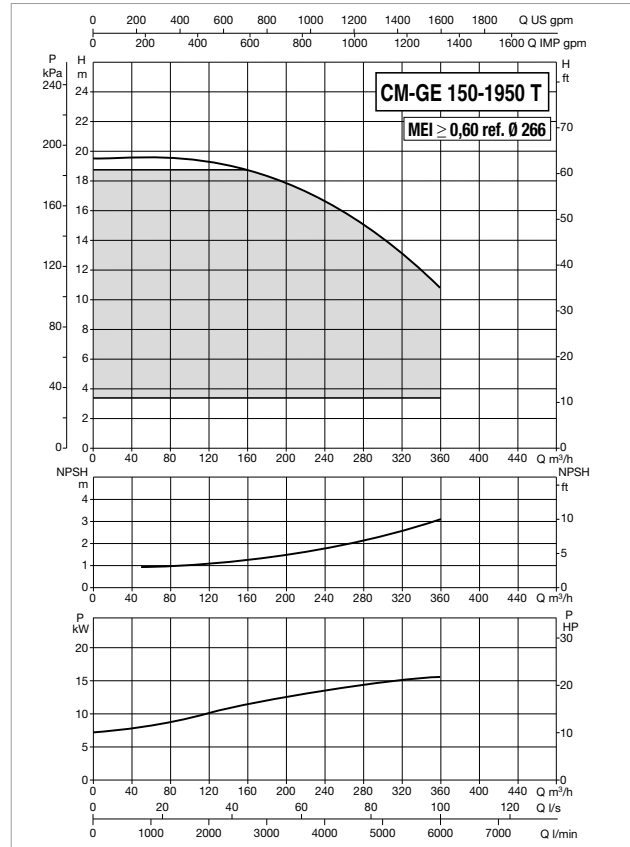
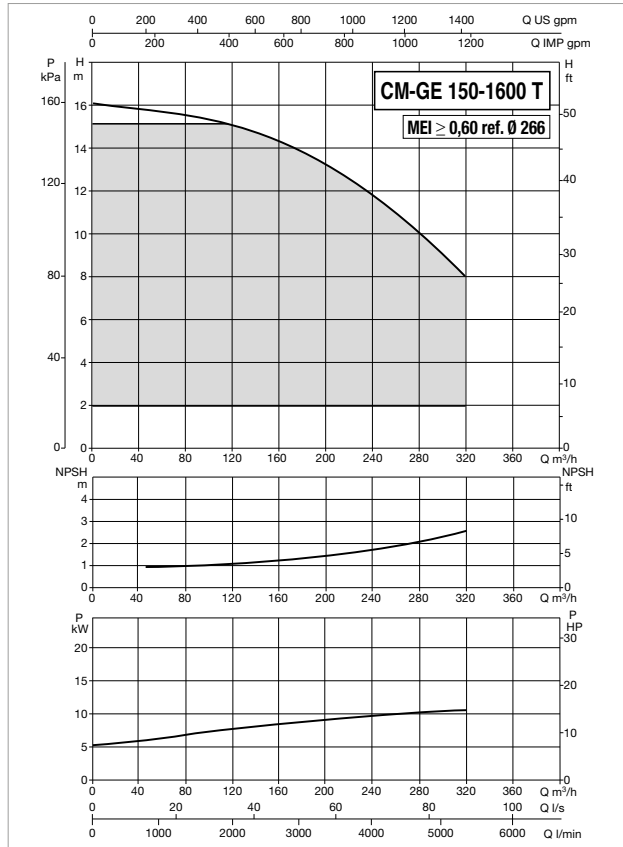


MODEL	ELECTRICAL DATA						
	POWER INPUT 50-60 Hz	MOTOR TYPE	n r.p.m.	P1 MAX W	P2 NOMINAL		In A
					kW	HP	
CM-GE 150- 955/A/BAQE/ 5.5 T MCE55/C IE2	3x400 V ~	4 poles	1462	7,90	5,5	7,5	15,8
CM-GE 150-1322/A/BAQE/ 7.5 T MCE110/C IE2		4 poles	1464	9,37	7,5	10	19

MODEL	A	B	B1	B2	C	D1	D2	D3	D4	H	H1	L	L1	L2	M	DNA	DNM	PACKING DIMENSIONS			VOLUME (m ³)	WEIGHT kg
	L/A	L/B	H																			
CM-GE 150- 955/A/BAQE/ 5.5 T MCE55/C IE2	353	538	299	239	230	212	240	285	8x22	1110	215	800	400	400	16	150	150	900	550	1200	0,59	274
CM-GE 150-1322/A/BAQE/ 7.5 T MCE110/C IE2	426	538	299	239	230	212	240	285	8x22	1208	215	800	400	400	16	150	150	900	550	1200	0,59	294

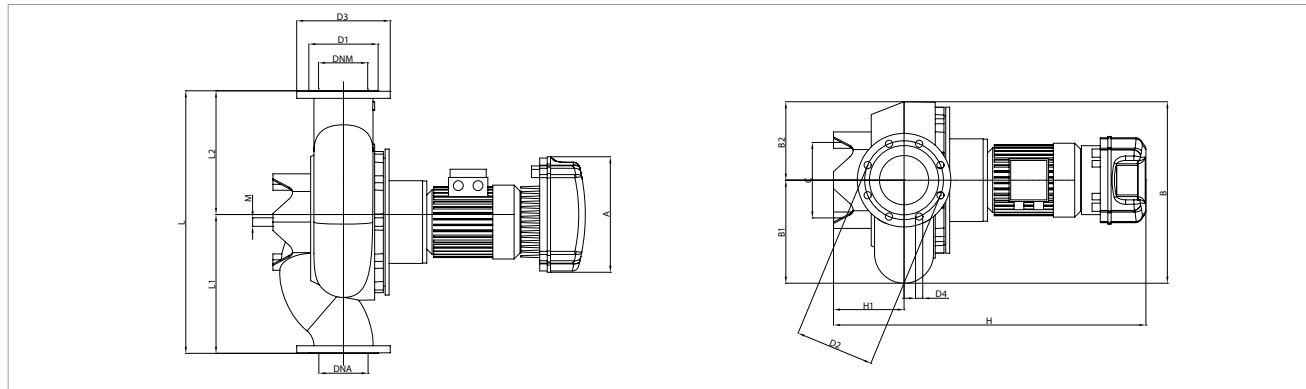
CM-GE 150 4 POLES - ELECTRONIC IN-LINE PUMPS FOR HEATING, AIR CONDITIONING, REFRIGERATION, SOLAR, AND SANITARY SYSTEMS - SINGLE, FLANGED, WITH MCE/C INVERTER

Pumped liquid temperature range: from -10 °C to +140°C - Maximum ambient temperature: +40°C



The MEI values for inverter controlled pumps refer to similar versions without electronics

The performance curves are based on kinematic viscosity values = 1 mm²/s and density equal to 1000 kg/m³. Curve tolerance according to ISO 9906.



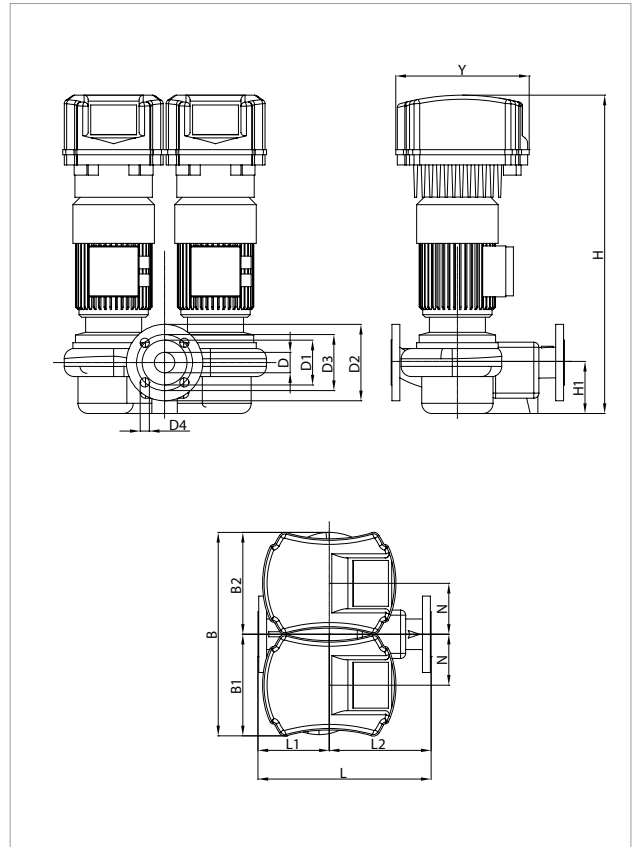
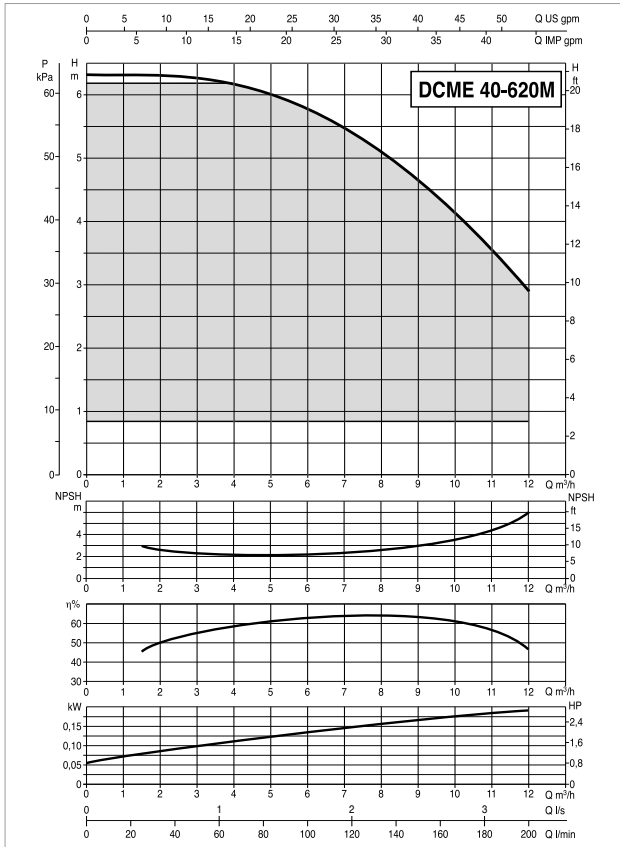
MODEL	ELECTRICAL DATA						
	POWER INPUT 50-60 Hz	MOTOR TYPE	n r.p.m.	P1 MAX W	P2 NOMINAL		In A
					kW	HP	
CM-GE 150-1600/A/BAQE/ 11 T MCE110/C IE2	3x400 V ~	4 poles	1473	13,61	11	15	28,6
CM-GE 150-1950/A/BAQE/ 15 T MCE150/C IE2 *		4 poles	1472	18,39	15	20	38

* ΔP-v proportional differential pressure adjustment mode also available.

MODEL	A	B	B1	B2	C	D1	D2	D3	D4	H	H1	L	L1	L2	M	DNA	DNM	PACKING DIMENSIONS			VOLUME (m ³)	WEIGHT kg
																		L/A	L/B	H		
CM-GE 150-1600/A/BAQE/ 11 T MCE110/C IE2	426	538	299	239	230	212	240	285	8x22	1270	215	800	400	400	16	150	150	900	550	1200	0,59	306
CM-GE 150-1950/A/BAQE/ 15 T MCE150/C IE2	426	538	299	239	230	212	240	285	8x22	1411	215	800	400	400	16	150	150	900	550	1500	0,74	356

DCME 40 4 POLES - ELECTRONIC IN-LINE PUMPS FOR HEATING, AIR CONDITIONING, REFRIGERATION, SOLAR, AND SANITARY SYSTEMS - SINGLE, FLANGED, WITH MCE/C INVERTER

Pumped liquid temperature range: from -10 °C to +130°C - Maximum ambient temperature: +40°C



For the MEI index refer to the hydraulic data of the individual pump.

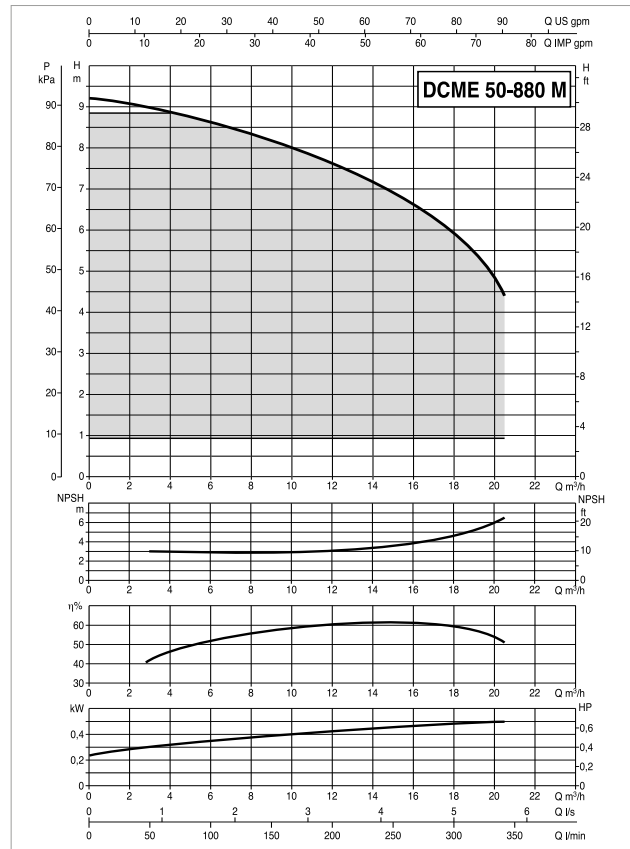
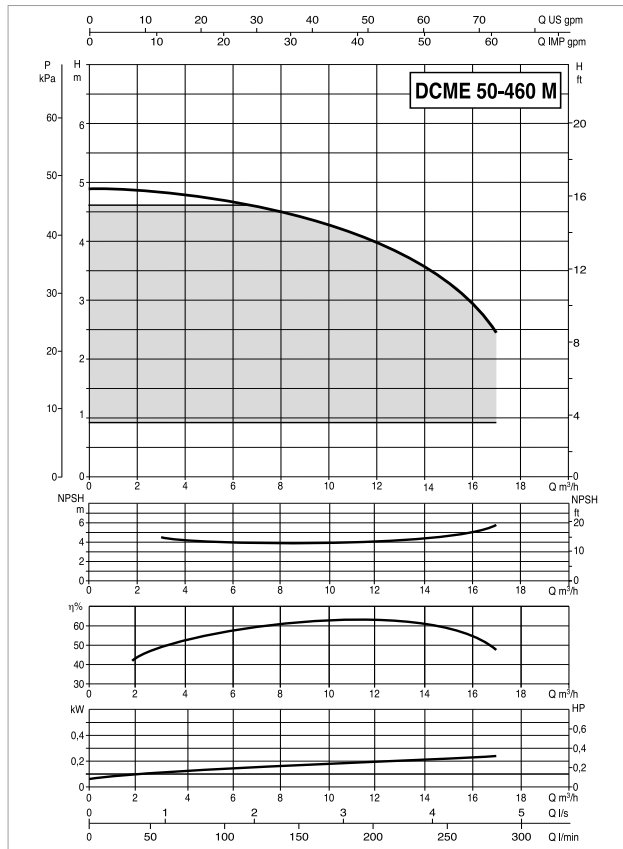
The performance curves are based on kinematic viscosity values = 1 mm²/s and density equal to 1000 kg/m³. Curve tolerance according to ISO 9906.

MODEL	ELECTRICAL DATA						
	POWER INPUT 50-60 Hz	MOTOR TYPE	n r.p.m.	P1 MAX W	P2 NOMINAL		In A
					kW	HP	
DCME 40-620 M MCE11/C	1x220 - 240 V ~	4 poles	1450	0,43	0,25	0,33	4,7

MODEL	L	L1	L2	B	B1	B2	H	H1	N	D	D1	D2	D3	D4	Y	PACKING DIMENSIONS			VOLUME (m ³)	WEIGHT kg
	L/A	L/B	H																	
DCME 40-620 M MCE11/C	340	130	210	400	200	200	625	100	100	40 PN16	88	150	110	4 HOLES Ø18	262	520	400	710	0,15	45

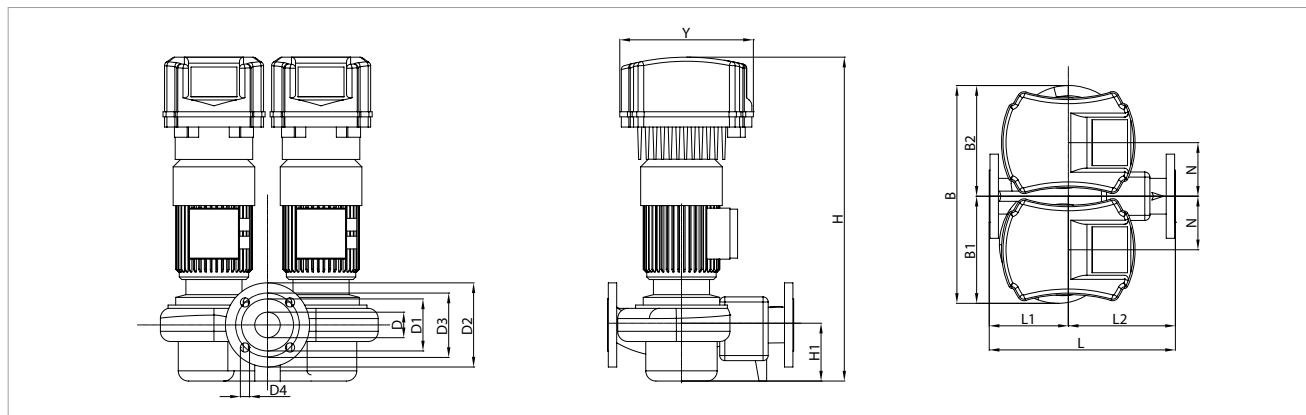
DCME 50 4 POLES - ELECTRONIC IN-LINE PUMPS FOR HEATING, AIR CONDITIONING, REFRIGERATION, SOLAR, AND SANITARY SYSTEMS - TWIN, FLANGED, WITH MCE/C INVERTER

Pumped liquid temperature range: from -10 °C to +130°C - Maximum ambient temperature: +40°C



For the MEI index refer to the hydraulic data of the individual pump.

The performance curves are based on kinematic viscosity values = 1 mm²/s and density equal to 1000 kg/m³. Curve tolerance according to ISO 9906.

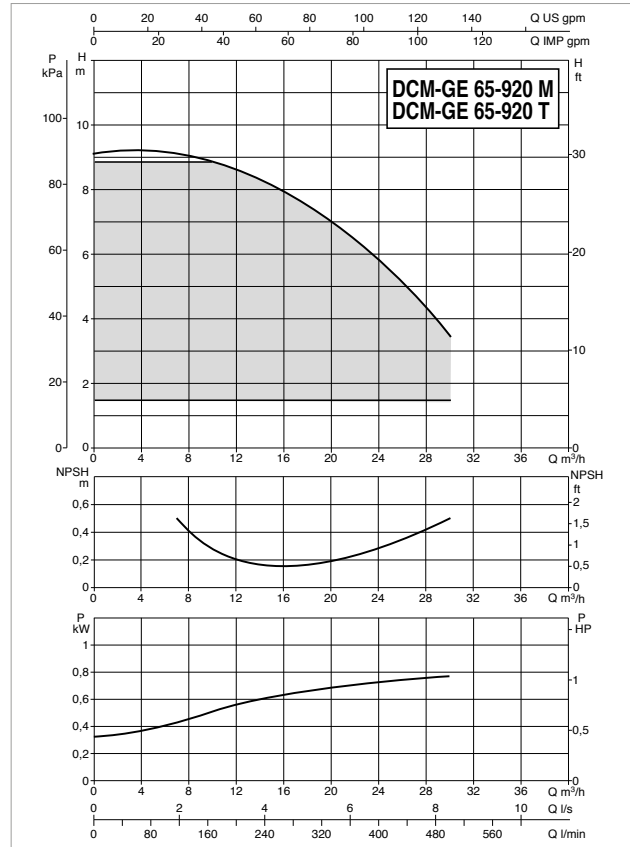
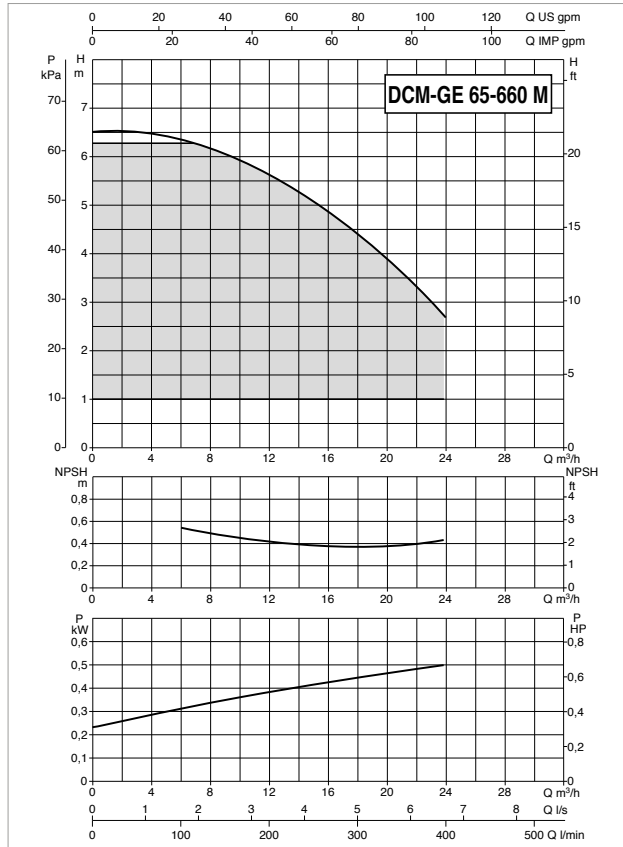


MODEL	ELECTRICAL DATA						
	POWER INPUT 50-60 Hz	MOTOR TYPE	n r.p.m.	P1 MAX W	P2 NOMINAL		In A
					kW	HP	
DCME 50-460 M MCE11/C IE2	1x220 - 240 V ~	4 poles	1450	0,43	0,25	0,33	4,7
DCME 50-880 M MCE11/C IE2		4 poles	1450	0,83	0,5	0,67	7,2

MODEL	L	L1	L2	B	B1	B2	H	H1	N	D	D1	D2	D3	D4	Y	PACKING DIMENSIONS			VOLUME (m³)	WEIGHT kg
																L/A	L/B	H		
DCME 50-460 M MCE11/C IE2	365	145	220	427	217	210	635	110	105	50 PN16	102	165	125	4 HOLES Ø18	262	520	400	710	0,15	50
DCME 50-880 M MCE11/C IE2	410	170	240	480	235	245	635	110	105	50 PN16	102	165	125	4 HOLES Ø18	262	520	400	710	0,15	56

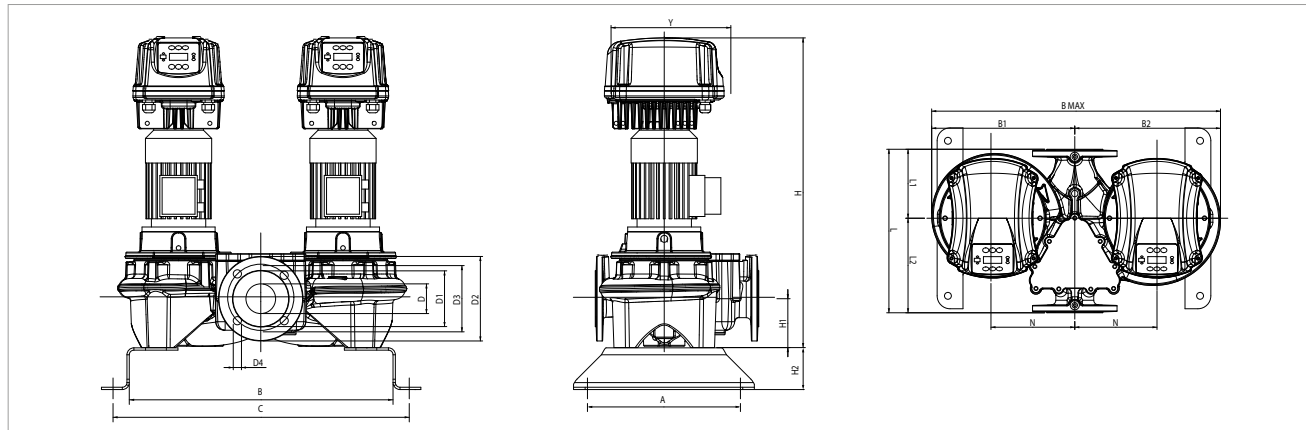
DCM-GE 65 4 POLES - ELECTRONIC IN-LINE PUMPS FOR HEATING, AIR CONDITIONING, REFRIGERATION, SOLAR, AND SANITARY SYSTEMS - TWIN, FLANGED, WITH MCE/C INVERTER

Pumped liquid temperature range: from -10 °C to +140°C - Maximum ambient temperature: +40°C



For the MEI index refer to the hydraulic data of the individual pump.

The performance curves are based on kinematic viscosity values = 1 mm²/s and density equal to 1000 kg/m³. Curve tolerance according to ISO 9906.



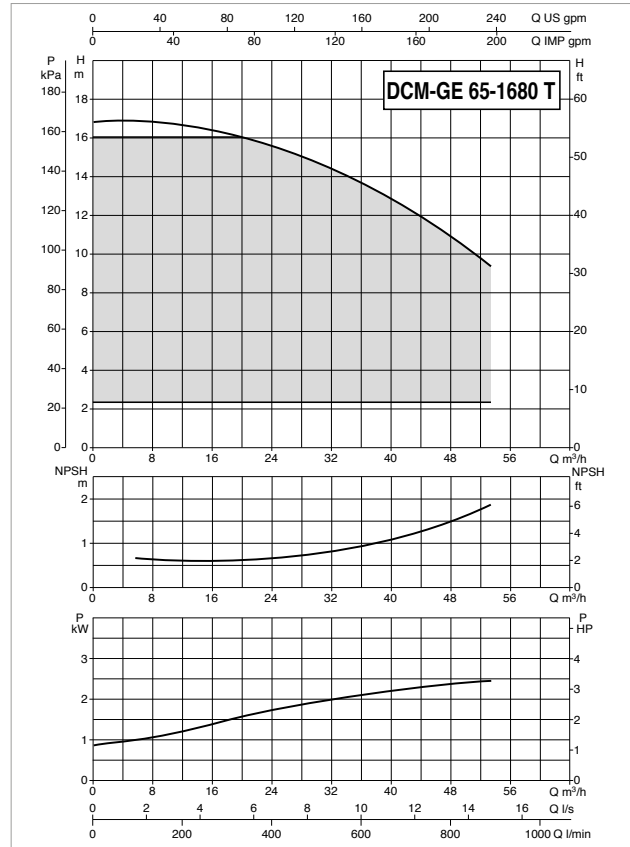
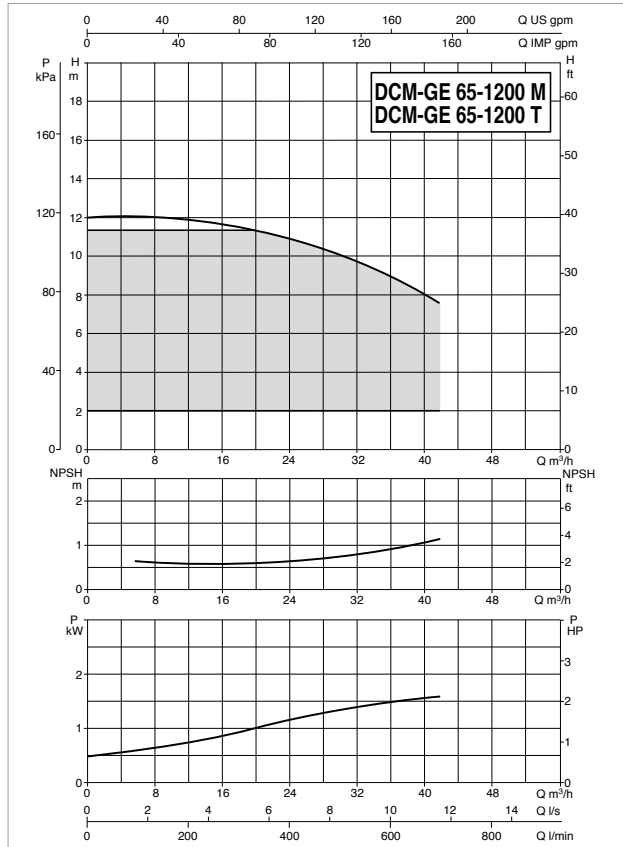
MODEL	ELECTRICAL DATA						
	POWER INPUT 50-60 Hz	MOTOR TYPE	n r.p.m.	P1 MAX W	P2 NOMINAL		In A
					kW	HP	
DCME-GE 65- 660/A/BAQE/ 0.55 M MCE11/C IE2 *	1x220-240 V ~	4 poles	1400	0,84	0,55	0,8	7,3
DCM-GE 65- 920/A/BAQE/ 0.75 M MCE11/C IE2 *		4 poles	1430	1,23	0,75	1	9,8
DCM-GE 65- 920/A/BAQE/ 0.75 T MCE30/C IE2 *	3x400 V ~	4 poles	1430	1,23	0,75	1	t.b.d.

* ΔP-v proportional differential pressure adjustment mode also available.

MODEL	A	B	C	B1	B2	B max	D1	D2	D3	D4	no. of holes	Y	H	H1	H2	L	L1	L2	M	N	PACKING DIMENSIONS			VOL. (m ³)	WEIGHT kg
																					L/A	L/B	H		
DCM-GE 65- 660/A/BAQE/ 0.55 M MCE11/C IE2	330	569	639	315	320	635	122	185	145	18	4	262	733	107	100	358	151	207	M16	180	358	635	733	0,17	141
DCM-GE 65- 920/A/BAQE/ 0.75 M MCE11/C IE2	330	569	639	315	320	635	122	185	145	18		262	733	107	100	358	151	207	M16	180	358	635	733	0,17	144
DCM-GE 65- 920/A/BAQE/ 0.75 T MCE30/C IE2	330	569	639	315	320	635	122	185	145	18		262	730	107	100	358	151	207	M16	180	358	635	730	0,17	146

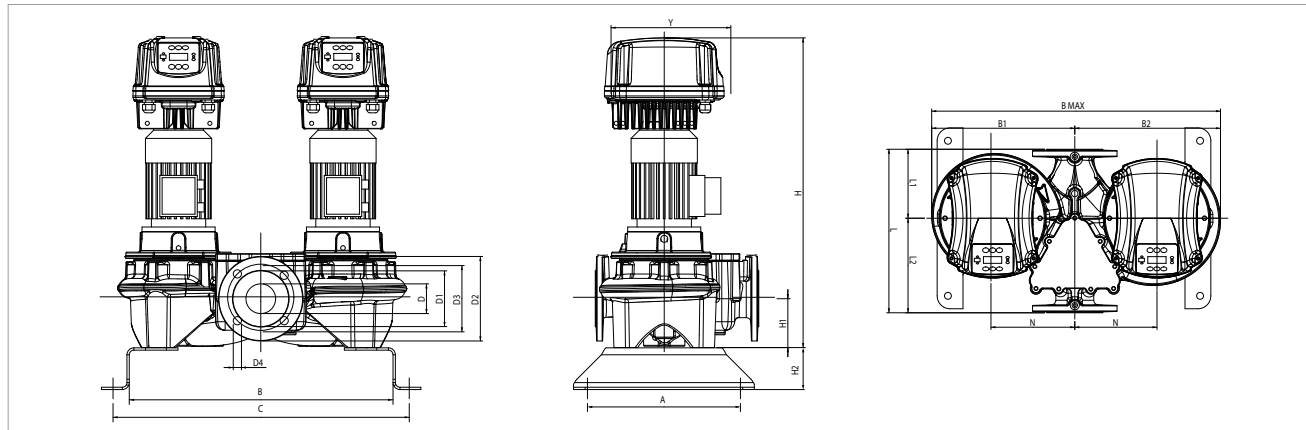
DCM-GE 65 4 POLES - ELECTRONIC IN-LINE PUMPS FOR HEATING, AIR CONDITIONING, REFRIGERATION, SOLAR, AND SANITARY SYSTEMS - TWIN, FLANGED, WITH MCE/C INVERTER

Pumped liquid temperature range: from -10 °C to +140°C - Maximum ambient temperature: +40°C



For the MEI index refer to the hydraulic data of the individual pump.

The performance curves are based on kinematic viscosity values = 1 mm²/s and density equal to 1000 kg/m³. Curve tolerance according to ISO 9906.



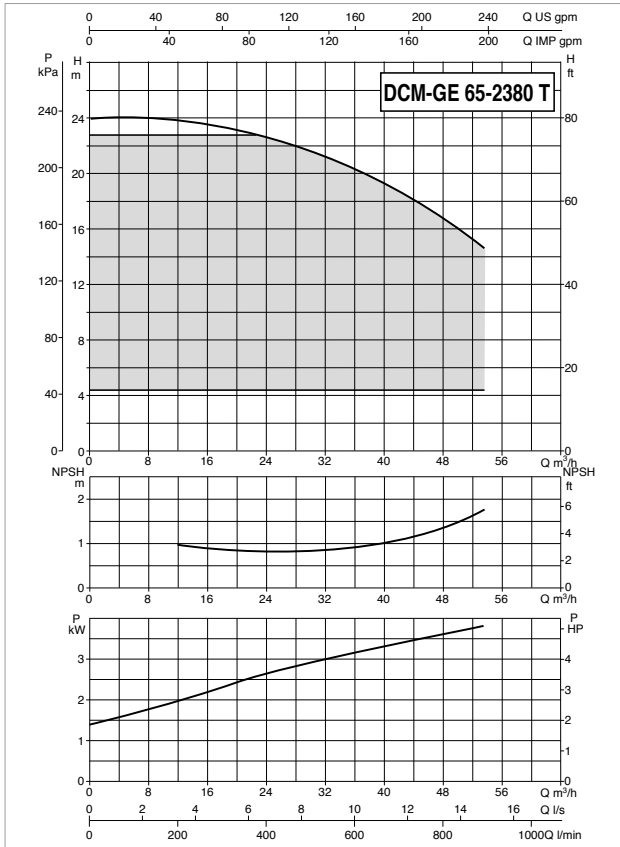
MODEL	ELECTRICAL DATA						
	POWER INPUT 50-60 Hz	MOTOR TYPE	n r.p.m.	P1 MAX W	P2 NOMINAL		In A
					kW	HP	
DCM-GE 65-1200/A/BAQE/ 1.5 M MCE11/C IE2 *	1x220-240 V ~	4 poles	1430	2,10	1,5	2	15,4
DCM-GE 65-1200/A/BAQE/ 1.5 T MCE30/C IE2 *	3x400 V ~	4 poles	1430	2,10	1,5	2	t.b.d.
DCM-GE 65-1680/A/BAQE/ 3 T MCE30/C IE2 *		4 poles	1448	2,83	3	4	6,6

* ΔP-v proportional differential pressure adjustment mode also available.

MODEL	A	B	C	B1	B2	B max	D1	D2	D3	D4	no. of holes	Y	H	H1	H2	L	L1	L2	M	N	PACKING DIMENSIONS			VOL. (m ³)	WEIGHT kg
																					L/A	L/B	H		
DCM-GE 65-1200/A/BAQE/ 1.5 M MCE11/C IE2	330	649	719	387	395	782	122	185	145	18	4	262	821	125	100	475	177	298	M16	220	475	782	821	0,30	195
DCM-GE 65-1200/A/BAQE/ 1.5 T MCE30/C IE2	330	649	719	387	395	782	122	185	145	18		262	824	125	100	475	177	298	M16	220	475	782	824	0,31	193
DCM-GE 65-1680/A/BAQE/ 3 T MCE30/C IE2	330	649	719	387	395	782	122	185	145	18		352	840	125	100	475	177	298	M16	220	475	782	840	0,31	206

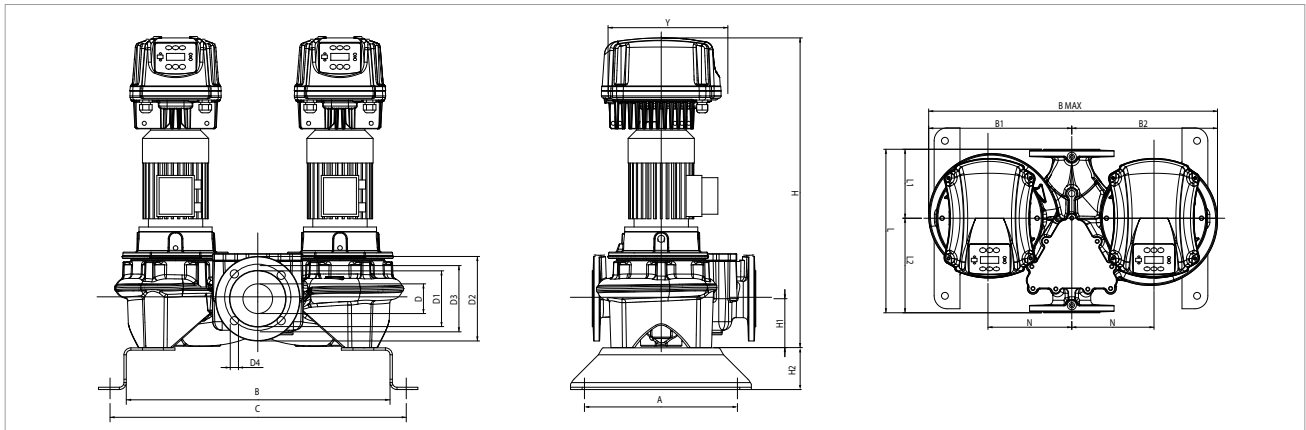
DCM-GE 65 4 POLES - ELECTRONIC IN-LINE PUMPS FOR HEATING, AIR CONDITIONING, REFRIGERATION, SOLAR, AND SANITARY SYSTEMS - TWIN, FLANGED, WITH MCE/C INVERTER

Pumped liquid temperature range: from -10 °C to +140°C - Maximum ambient temperature: +40°C



For the MEI index refer to the hydraulic data of the individual pump.

The performance curves are based on kinematic viscosity values = 1 mm²/s and density equal to 1000 kg/m³. Curve tolerance according to ISO 9906.



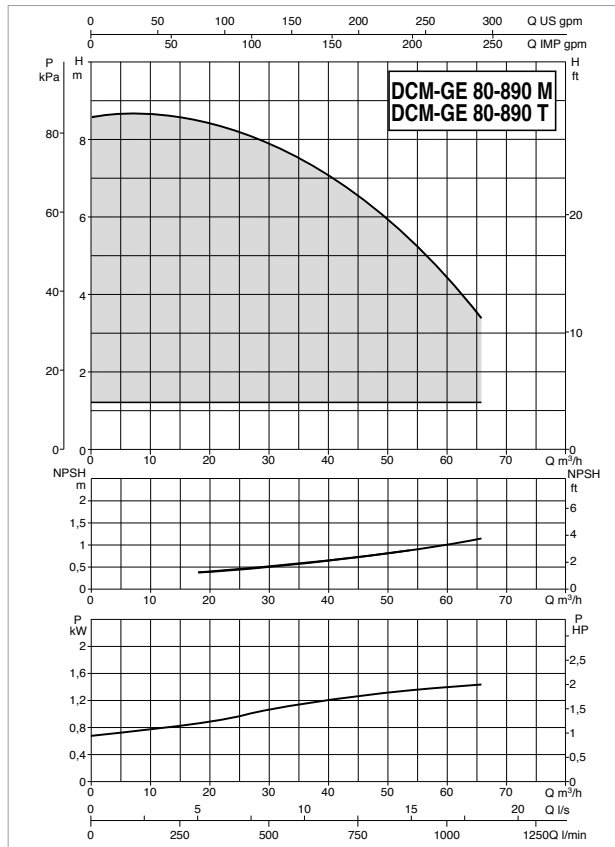
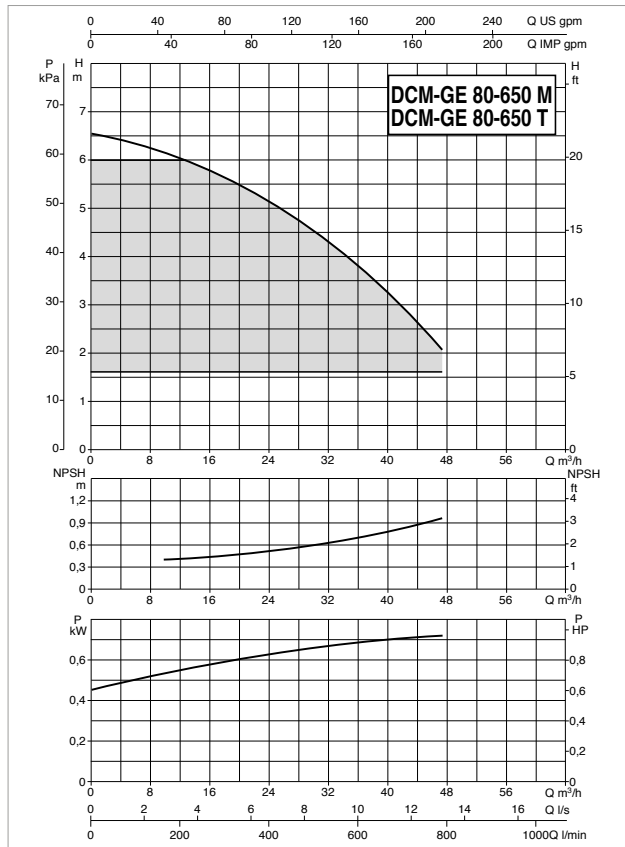
MODEL	ELECTRICAL DATA						
	POWER INPUT 50-60 Hz	MOTOR TYPE	n r.p.m.	P1 MAX W	P2 NOMINAL		In A
					kW	HP	
DCM-GE 65-2380/A/BAQE/ 4 T MCE30/C IE2 *	3x400 V ~	4 poles	1449	4,47	4	5,5	9,5

* ΔP-v proportional differential pressure adjustment mode also available.

MODEL	A	B	C	B1	B2	B max	D1	D2	D3	D4	no. of holes	Y	H	H1	H2	L	L1	L2	M	N	PACKING DIMENSIONS			VOL. (m ³)	WEIGHT kg
																					L/A	L/B	H		
DCM-GE 65-2380/A/BAQE/ 4 T MCE30/C IE2	330	649	719	387	395	782	122	185	145	18	4	352	925	125	100	475	177	298	M16	220	475	782	925	0,34	233

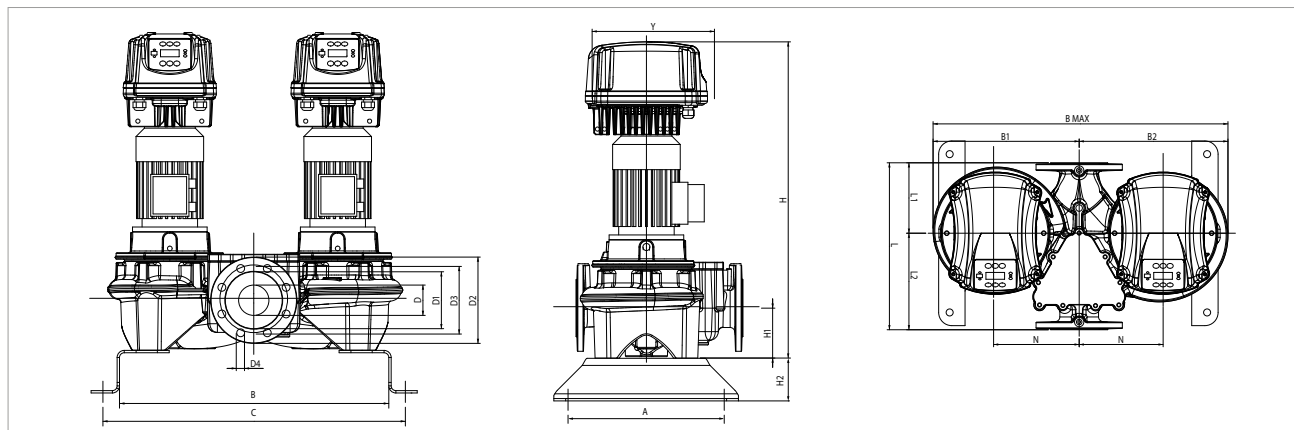
DCM-GE 80 4 POLES - ELECTRONIC IN-LINE PUMPS FOR HEATING, AIR CONDITIONING, REFRIGERATION, SOLAR, AND SANITARY SYSTEMS - TWIN, FLANGED, WITH MCE/C INVERTER

Pumped liquid temperature range: from -10 °C to +140°C - Maximum ambient temperature: +40°C



For the MEI index refer to the hydraulic data of the individual pump.

The performance curves are based on kinematic viscosity values = 1 mm²/s and density equal to 1000 kg/m³. Curve tolerance according to ISO 9906.



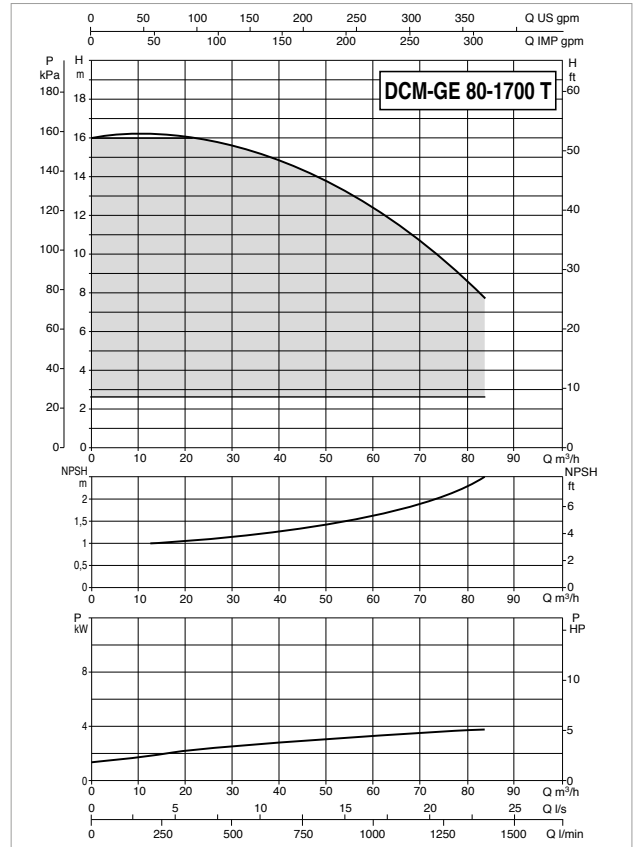
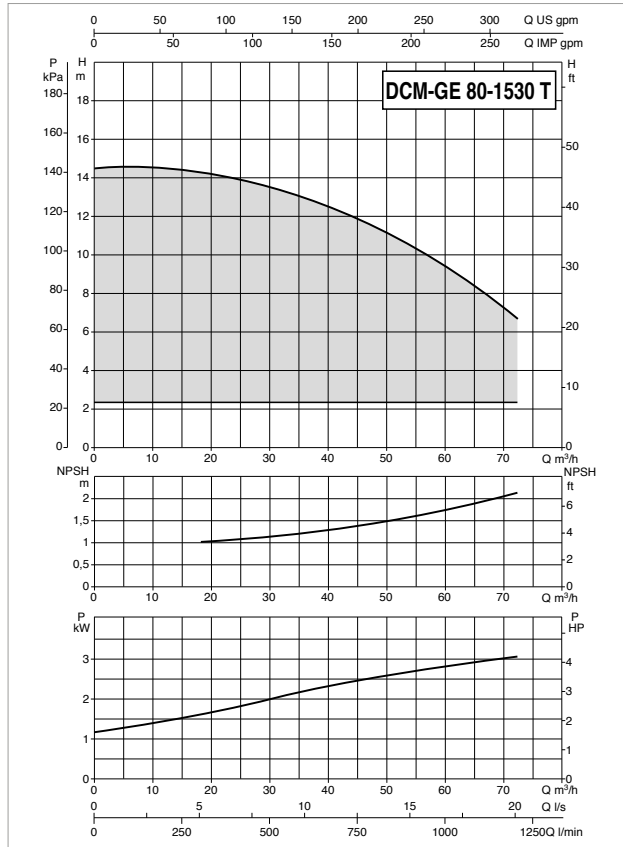
MODEL	ELECTRICAL DATA						
	POWER INPUT 50-60 Hz	MOTOR TYPE	n r.p.m.	P1 MAX W	P2 NOMINAL		I _n A
					kW	HP	
DCM-GE 80- 650/A/BAQE/ 0.75 M MCE11/C IE2	1x220-240 V ~	4 poles	1430	1,24	0,75	1	9,8
DCM-GE 80- 650/A/BAQE/ 0.75 T MCE30/C IE2	3x400 V ~	4 poles	1430	1,24	0,75	1	t.b.d.
DCM-GE 80- 890/A/BAQE/ 1.5 M MCE15/C IE2 *	1x220-240 V ~	4 poles	1430	2,07	1,5	2	15,2
DCM-GE 80- 890/A/BAQE/ 1.5 T MCE30/C IE2 *	3x400 V ~	4 poles	1430	2,07	1,5	2	t.b.d.

* ΔP-v proportional differential pressure adjustment mode also available.

MODEL	A	B	C	B1	B2	B max	D1	D2	D3	D4	no. of holes	Y	H	H1	H2	L	L1	L2	M	N	PACKING DIMENSIONS			VOL. (m ³)	WEIGHT kg
																					L/A	L/B	H		
DCM-GE 80- 650/A/BAQE/ 0.75 M MCE11/C IE2	330	580	650	305	310	615	137	200	160	18	8	262	745	115	100	360	165	195	M16	180	360	615	745	0,16	134
DCM-GE 80- 650/A/BAQE/ 0.75 T MCE30/C IE2	330	580	650	305	310	615	137	200	160	18		262	742	115	100	360	165	195	M16	180	360	615	742	0,16	136
DCM-GE 80- 890/A/BAQE/ 1.5 M MCE15/C IE2	620	620	690	355	365	720	137	200	160	18		262	825	115	100	440	180	260	M16	200	440	720	825	0,26	211
DCM-GE 80- 890/A/BAQE/ 1.5 T MCE30/C IE2	620	620	690	355	365	720	137	200	160	18		262	822	115	100	440	180	260	M16	200	440	720	822	0,26	213

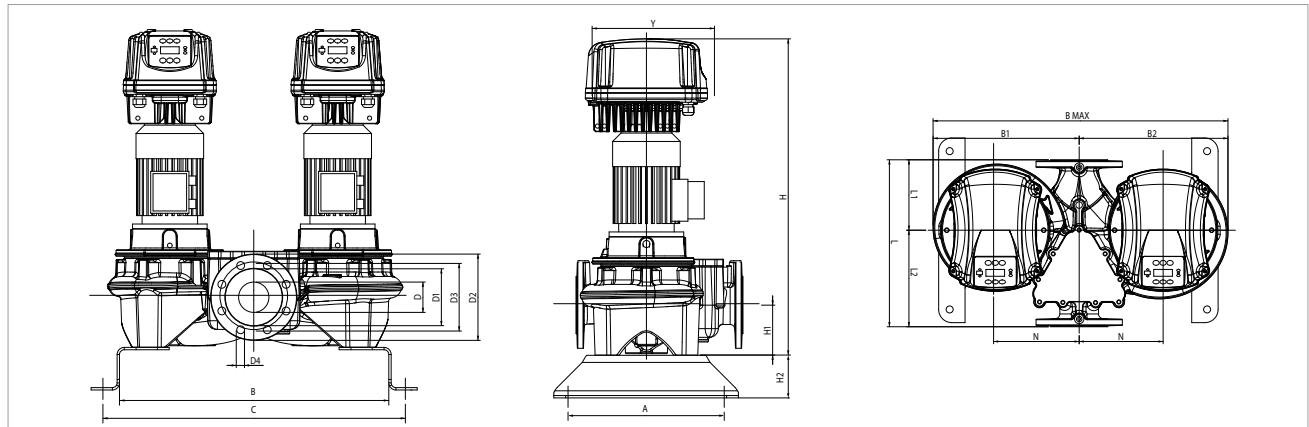
DCM-GE 80 4 POLES - ELECTRONIC IN-LINE PUMPS FOR HEATING, AIR CONDITIONING, REFRIGERATION, SOLAR, AND SANITARY SYSTEMS - TWIN, FLANGED, WITH MCE/C INVERTER

Pumped liquid temperature range: from -10 °C to +140°C - Maximum ambient temperature: +40°C



For the MEI index refer to the hydraulic data of the individual pump.

The performance curves are based on kinematic viscosity values = 1 mm²/s and density equal to 1000 kg/m³. Curve tolerance according to ISO 9906.



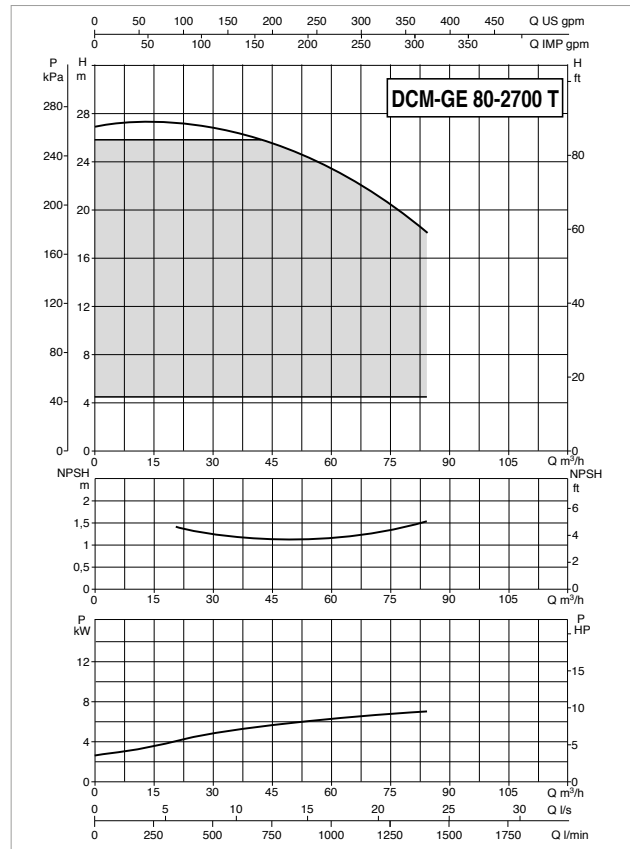
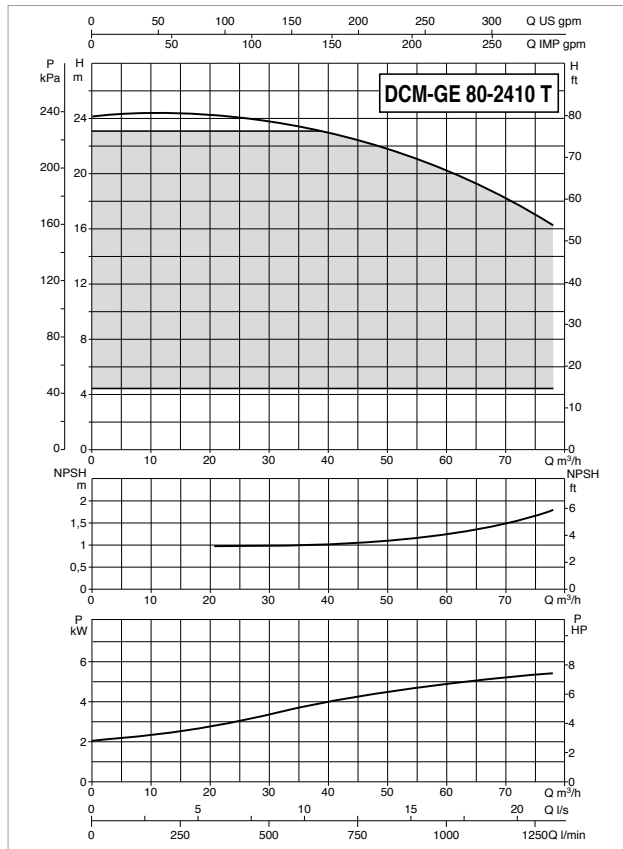
MODEL	ELECTRICAL DATA						
	POWER INPUT 50-60 Hz	MOTOR TYPE	n r.p.m.	P1 MAX W	P2 NOMINAL		In A
					kW	HP	
DCM-GE 80-1530/A/BAQE/ 3 T MCE30/C IE2	3x400 V ~	4 poles	1441	3,74	3	4	8,0
DCM-GE 80-1700/A/BAQE/ 4 T MCE30/C IE2 *		4 poles	1452	4,13	4	5,5	8,9

* ΔP-v proportional differential pressure adjustment mode also available.

MODEL	A	B	C	B1	B2	B max	D1	D2	D3	D4	no. of holes	Y	H	H1	H2	L	L1	L2	M	N	PACKING DIMENSIONS			VOL. (m ³)	WEIGHT kg
																					L/A	L/B	H		
DCM-GE 80-1530/A/BAQE/ 3 T MCE30/C IE2	362	662	690	405	415	820	137	200	160	18	8	352	846	115	100	500	220	280	M16	235	500	820	846	0,35	251
DCM-GE 80-1700/A/BAQE/ 4 T MCE30/C IE2	362	662	732	405	415	820	137	200	160	18		352	931	115	100	500	220	280	M16	235	500	820	931	0,38	277

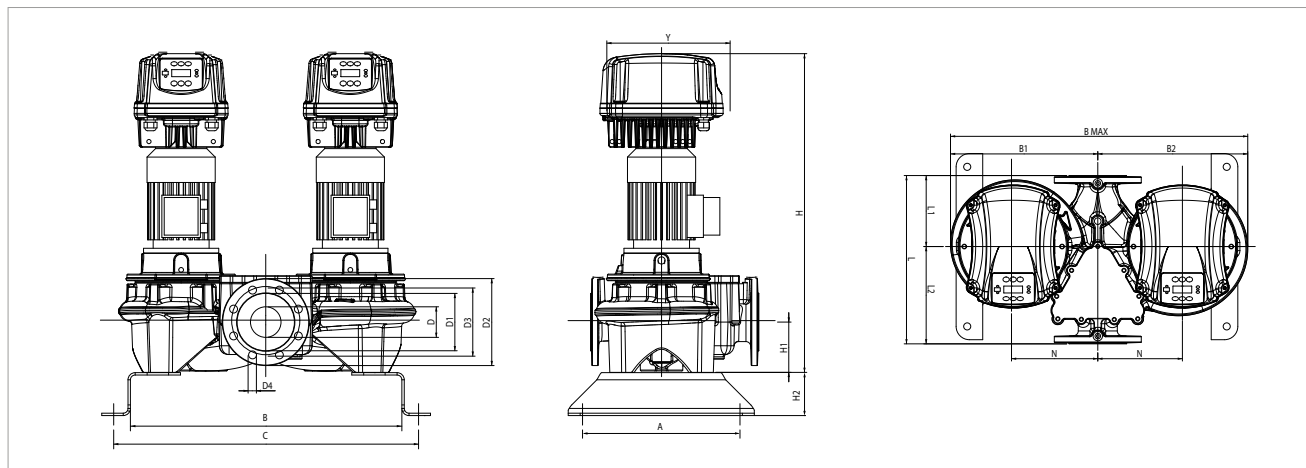
DCM-GE 80 4 POLES - ELECTRONIC IN-LINE PUMPS FOR HEATING, AIR CONDITIONING, REFRIGERATION, SOLAR, AND SANITARY SYSTEMS - TWIN, FLANGED, WITH MCE/C INVERTER

Pumped liquid temperature range: from -10 °C to +140°C - Maximum ambient temperature: +40°C



For the MEI index refer to the hydraulic data of the individual pump.

The performance curves are based on kinematic viscosity values = 1 mm²/s and density equal to 1000 kg/m³. Curve tolerance according to ISO 9906.



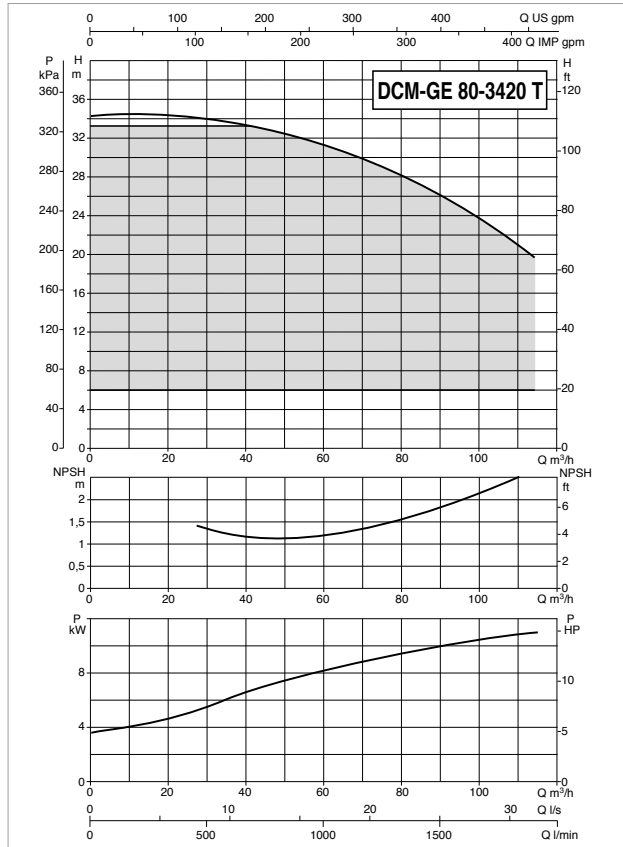
MODEL	ELECTRICAL DATA						
	POWER INPUT 50-60 Hz	MOTOR TYPE	n r.p.m.	P1 MAX W	P2 NOMINAL		In A
					kW	HP	
DCM-GE 80-2410/A/BAQE/ 5.5 T MCE55/C IE2 *	3x400 V ~	4 poles	1461	6,80	5,5	7,5	13,8
DCM-GE 80-2700/A/BAQE/ 7.5 T MCE110/C IE2		4 poles	1463	9,15	7,5	10	18,6

* ΔP-v proportional differential pressure adjustment mode also available.

MODEL	A	B	C	B1	B2	B max	D1	D2	D3	D4	no. of holes	Y	H	H1	H2	L	L1	L2	M	N	PACKING DIMENSIONS			VOL. (m³)	WEIGHT kg
																					L/A	L/B	H		
																					DCM-GE 80-2410/A/BAQE/ 5.5 T MCE55/C IE2	500	804		
DCM-GE 80-2700/A/BAQE/ 7.5 T MCE110/C IE2	500	804	924	530	540	1070	137	200	160	18	425	1087	140	100	620	280	340	M16	300	620	1070	1087	0,72	499	

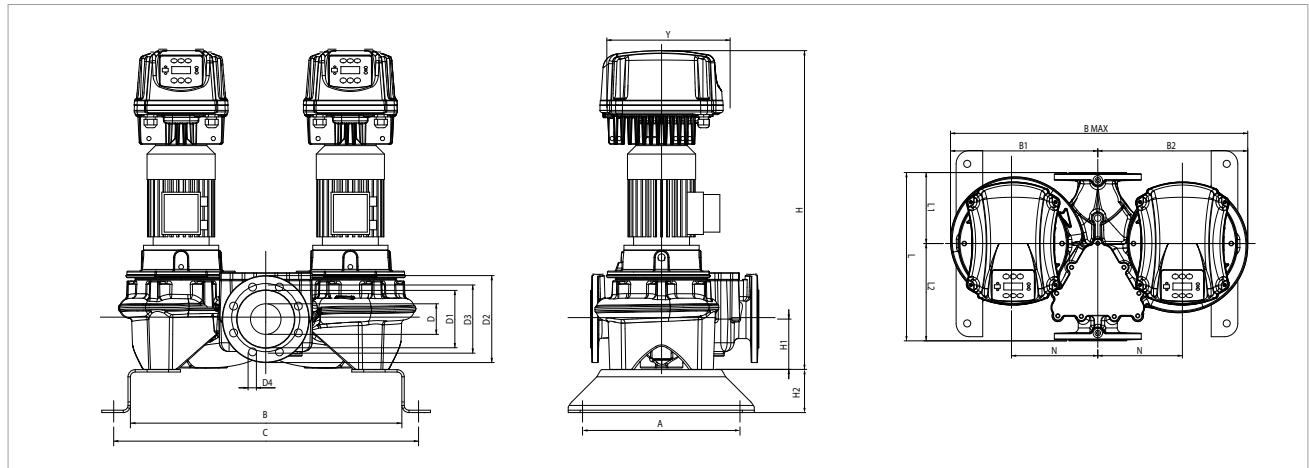
DCM-GE 80 4 POLES - ELECTRONIC IN-LINE PUMPS FOR HEATING, AIR CONDITIONING, REFRIGERATION, SOLAR, AND SANITARY SYSTEMS - TWIN, FLANGED, WITH MCE/C INVERTER

Pumped liquid temperature range: from -10 °C to +140°C - Maximum ambient temperature: +40°C



For the MEI index refer to the hydraulic data of the individual pump.

The performance curves are based on kinematic viscosity values = 1 mm²/s and density equal to 1000 kg/m³. Curve tolerance according to ISO 9906.



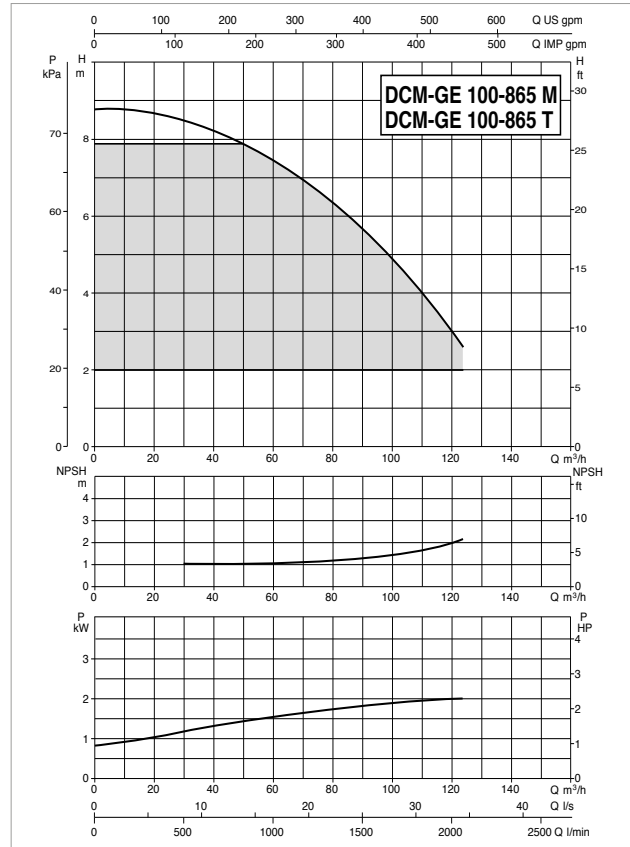
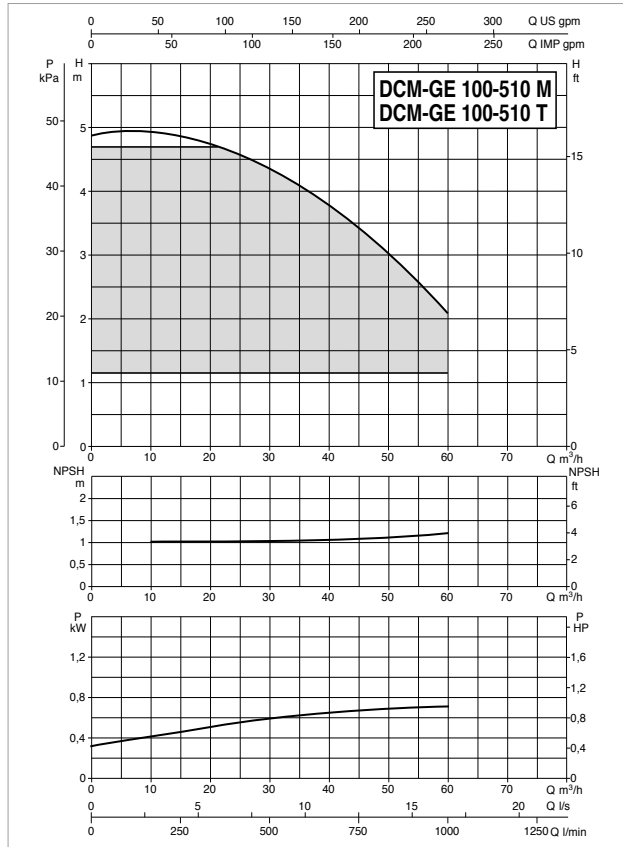
MODEL	ELECTRICAL DATA						
	POWER INPUT 50-60 Hz	MOTOR TYPE	n r.p.m.	P1 MAX W	P2 NOMINAL		In A
					kW	HP	
DCM-GE 80-3420/A/BAQE/ 11 T MCE110/C IE2 *	3x400 V ~	4 poles	1472	13,36	11	15	28,1

* ΔP-v proportional differential pressure adjustment mode also available.

MODEL	A	B	C	B1	B2	B max	D1	D2	D3	D4	no. of holes	Y	H	H1	H2	L	L1	L2	M	N	PACKING DIMENSIONS			VOL. (m³)	WEIGHT kg
	L/A	L/B	H	L/A	L/B	H																			
DCM-GE 80-3420/A/BAQE/ 11 T MCE110/C IE2	500	804	924	530	540	1070	137	200	160	18	8	425	1192	140	100	620	280	340	M16	300	620	1070	1192	0,79	533

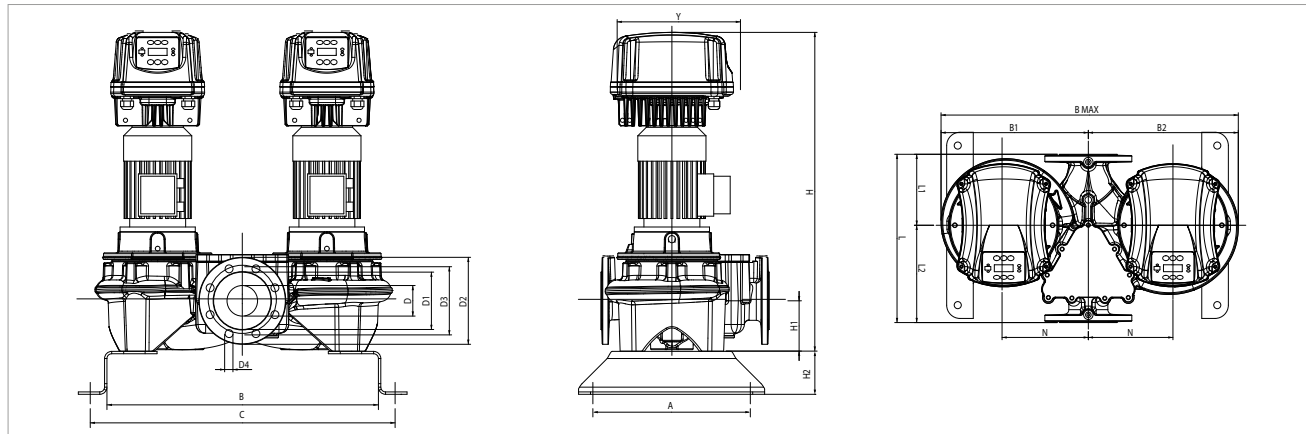
DCM-GE 100 4 POLES - ELECTRONIC IN-LINE PUMPS FOR HEATING, AIR CONDITIONING, REFRIGERATION, SOLAR, AND SANITARY SYSTEMS - TWIN, FLANGED, WITH MCE/C INVERTER

Pumped liquid temperature range: from -10 °C to +140°C - Maximum ambient temperature: +40°C



For the MEI index refer to the hydraulic data of the individual pump.

The performance curves are based on kinematic viscosity values = 1 mm²/s and density equal to 1000 kg/m³. Curve tolerance according to ISO 9906.



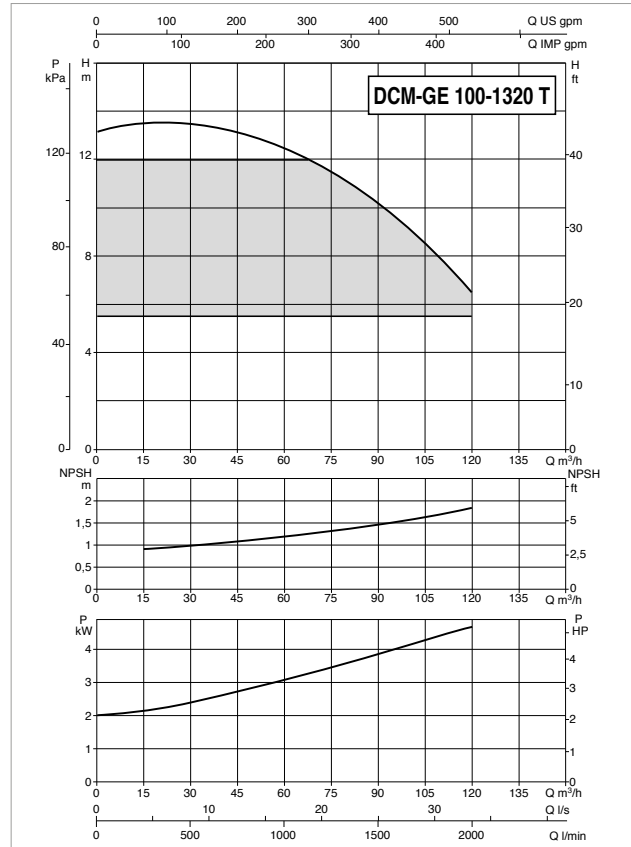
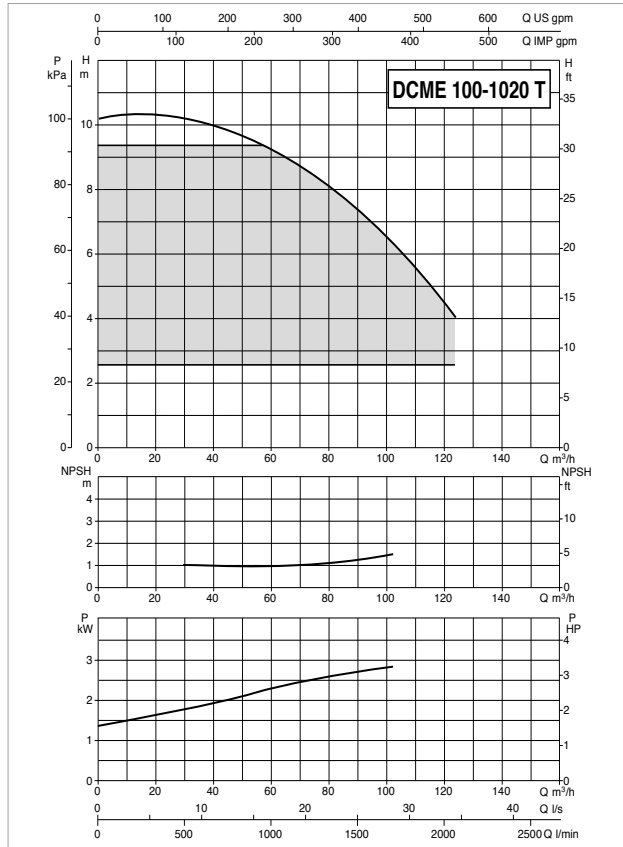
MODEL	ELECTRICAL DATA						
	POWER INPUT 50-60 Hz	MOTOR TYPE	n r.p.m.	P1 MAX W	P2 NOMINAL		In A
					kW	HP	
DCM-GE 100- 510/A/BAQE/ 0.75 M MCE11/C IE2 *	1x220-240 V ~	4 poles	1430	1,21	0,75	1	9,7
DCM-GE 100- 510/A/BAQE/ 0.75 T MCE30/C IE2 *	3x400 V ~	4 poles	1430	1,21	0,75	1	t.b.d.
DCM-GE 100- 865/A/BAQE/ 2.2 M MCE22/C IE2 *	1x220-240 V ~	4 poles	1430	2,94	2,2	3	20,7
DCM-GE 100- 865/A/BAQE/ 2.2 T MCE30/C IE2 *	3x400 V ~	4 poles	1430	2,94	2,2	3	7,0

* ΔP-v proportional differential pressure adjustment mode also available.

MODEL	A	B	C	B1	B2	B max	D1	D2	D3	D4	no. of holes	Y	H	H1	H2	L	L1	L2	M	N	PACKING DIMENSIONS			VOL. (m³)	WEIGHT kg
																					L/A	L/B	H		
DCM-GE 100- 510/A/BAQE/ 0.75 M MCE11/C IE2	362	637	717	330	345	675	156	220	180	18	8	262	772	140	100	500	191	309	M16	200	500	675	772	0,26	218
DCM-GE 100- 510/A/BAQE/ 0.75 T MCE30/C IE2	362	637	717	330	345	675	156	220	180	18		262	769	140	100	500	191	309	M16	200	500	675	769	0,26	220
DCM-GE 100- 865/A/BAQE/ 1.5 M MCE22/C IE2	362	733	813	395	410	805	156	220	180	18		352	847	140	100	550	221	329	M16	235	550	805	847	0,38	253
DCM-GE 100- 865/A/BAQE/ 1.5 T MCE22/C IE2	362	733	813	395	410	805	156	220	180	18		262	847	140	100	550	221	329	M16	235	550	805	847	0,38	251

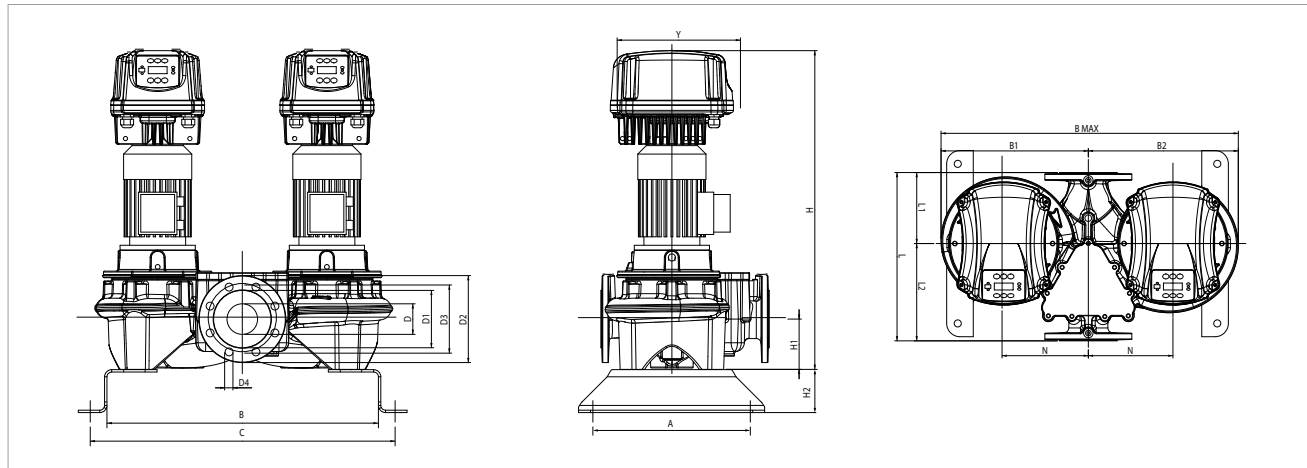
DCM-GE 100 4 POLES - ELECTRONIC IN-LINE PUMPS FOR HEATING, AIR CONDITIONING, REFRIGERATION, SOLAR, AND SANITARY SYSTEMS - TWIN, FLANGED, WITH MCE/C INVERTER

Pumped liquid temperature range: from -10 °C to +140°C - Maximum ambient temperature: +40°C



For the MEI index refer to the hydraulic data of the individual pump.

The performance curves are based on kinematic viscosity values = 1 mm²/s and density equal to 1000 kg/m³. Curve tolerance according to ISO 9906.



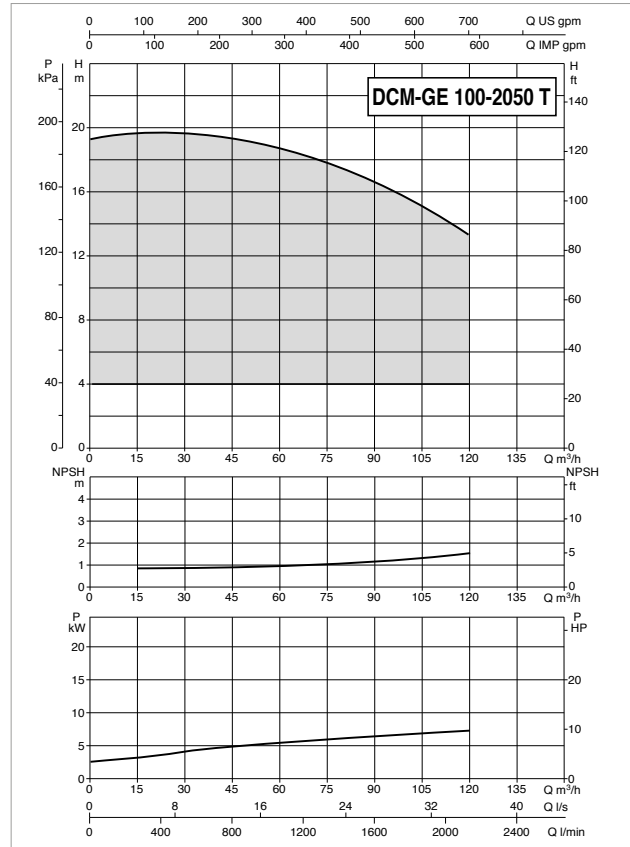
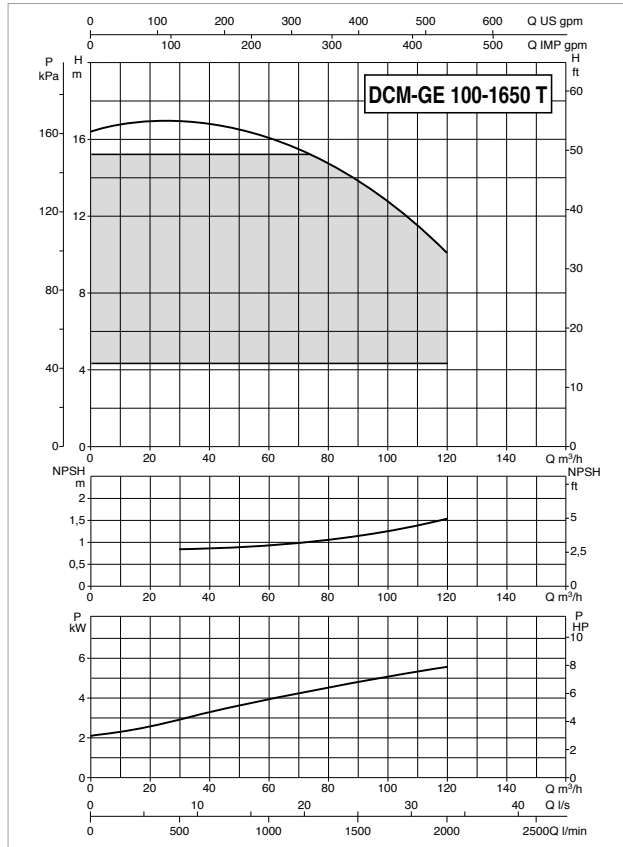
MODEL	ELECTRICAL DATA						
	POWER INPUT 50-60 Hz	MOTOR TYPE	n r.p.m.	P1 MAX W	P2 NOMINAL		In A
					kW	HP	
DCM-GE 100-1020/A/BAQE/ 3 T MCE30/C IE2 *	3x400 V ~	4 poles	1441	3,77	3	4	8,1
DCM-GE 100-1320/A/BAQE/4 T MCE55/C IE2 *					4	5,5	

* ΔP-v proportional differential pressure adjustment mode also available.

MODEL	A	B	C	B1	B2	B max	D1	D2	D3	D4	no. of holes	Y	H	H1	H2	L	L1	L2	M	N	PACKING DIMENSIONS			VOL. (m ³)	WEIGHT kg
																					L/A	L/B	H		
DCM-GE 100-1020/A/BAQE/ 3 T MCE30/C IE2	362	733	813	395	410	805	156	220	180	18	8	352	862	140	100	550	221	329	M16	235	550	805	862	0,38	264
DCM-GE 100-1320/A/BAQE/4 T MCE55/C IE2	362	753	833	430	440	870	156	220	180	18		352	1007	140	100	550	221	329	M16	250	550	870	1007	0,48	308

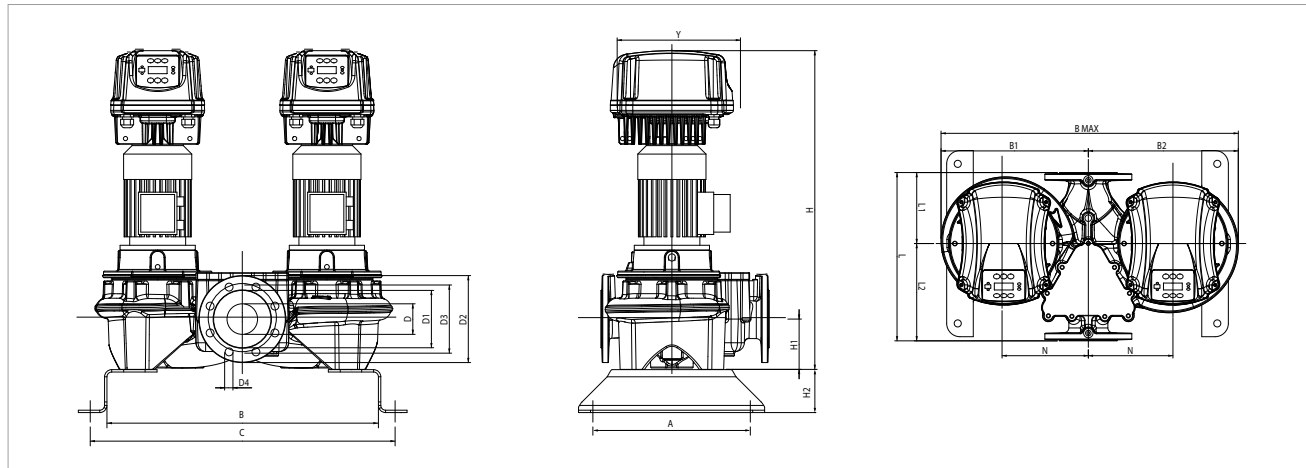
DCM-GE 100 4 POLES - ELECTRONIC IN-LINE PUMPS FOR HEATING, AIR CONDITIONING, REFRIGERATION, SOLAR, AND SANITARY SYSTEMS - TWIN, FLANGED, WITH MCE/C INVERTER

Pumped liquid temperature range: from -10 °C to +140°C - Maximum ambient temperature: +40°C



For the MEI index refer to the hydraulic data of the individual pump.

The performance curves are based on kinematic viscosity values = 1 mm²/s and density equal to 1000 kg/m³. Curve tolerance according to ISO 9906.



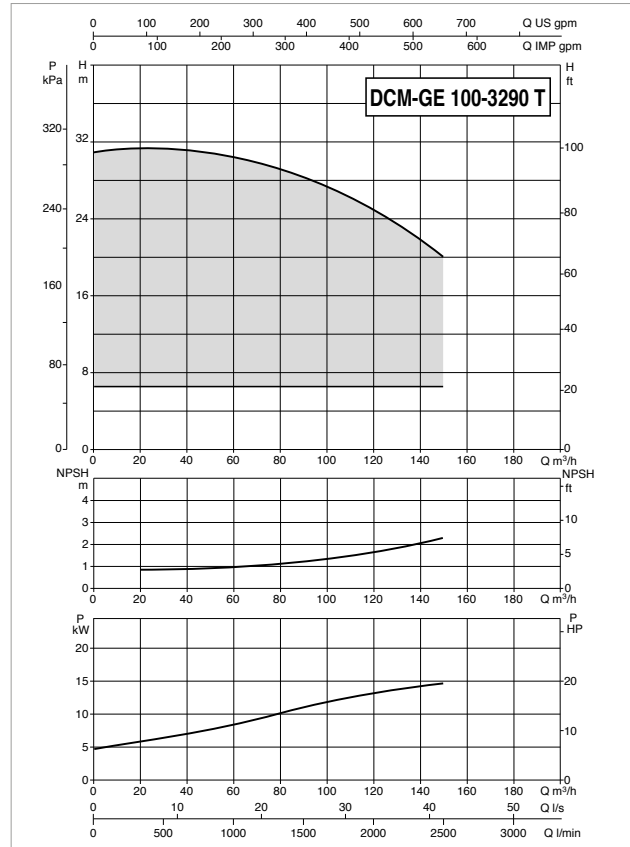
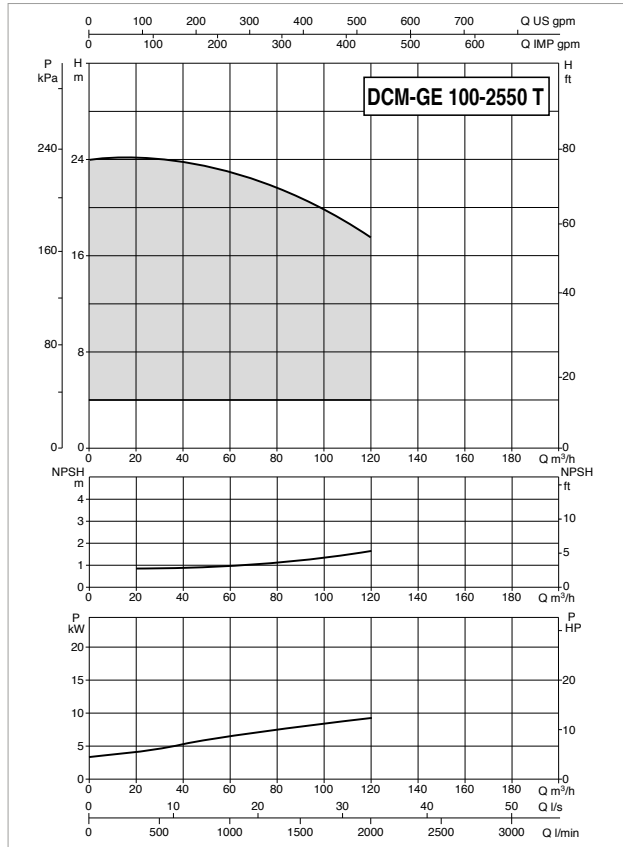
MODEL	ELECTRICAL DATA						
	POWER INPUT 50-60 Hz	MOTOR TYPE	n r.p.m.	P1 MAX W	P2 NOMINAL		In A
					kW	HP	
DCM-GE 100-1650/A/BAQE/ 5.5 T MCE55/C IE2 *	3x400 V ~	4 poles	1464	7,27	5,5	7,5	14,6
DCM-GE 100-2050/A/BAQE/ 7.5 T MCE110/C IE2		4 poles	1461	8,89	7,5	10	18,1

* ΔP-v proportional differential pressure adjustment mode also available.

MODEL	A	B	C	B1	B2	B max	D1	D2	D3	D4	no. of holes	Y	H	H1	H2	L	L1	L2	M	N	PACKING DIMENSIONS			VOL. (m³)	WEIGHT kg
																					L/A	L/B	H		
																					DCM-GE 100-1650/A/BAQE/ 5.5 T MCE55/C IE2	362	753		
DCM-GE 100-2050/A/BAQE/ 7.5 T MCE110/C IE2	500	836	956	560	575	1135	156	220	180	18	8	425	1132	175	100	670	266	404	M16	300	670	1135	1132	0,86	558

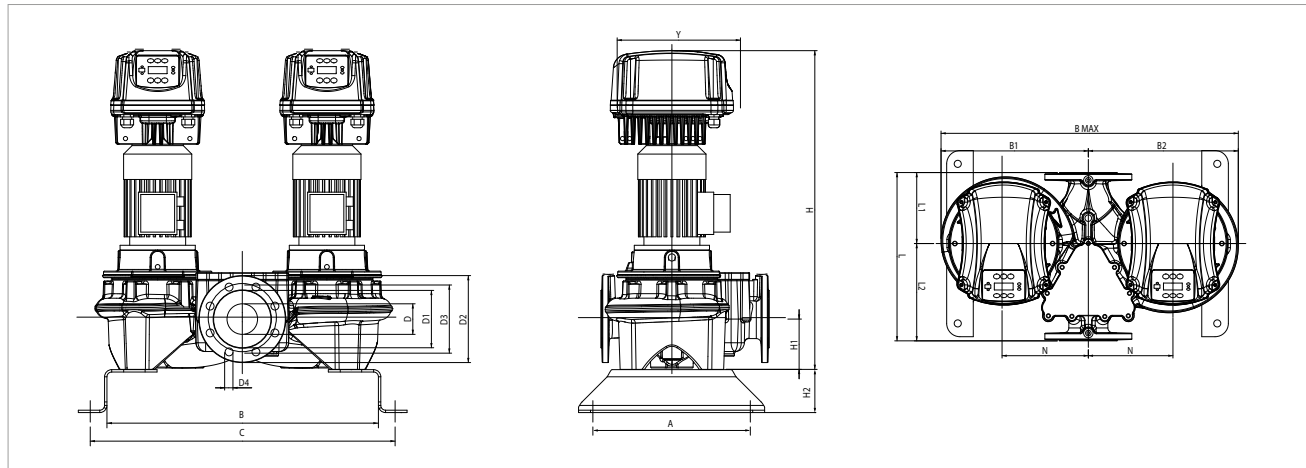
DCM-GE 100 4 POLES - ELECTRONIC IN-LINE PUMPS FOR HEATING, AIR CONDITIONING, REFRIGERATION, SOLAR, AND SANITARY SYSTEMS - TWIN, FLANGED, WITH MCE/C INVERTER

Pumped liquid temperature range: from -10 °C to +140°C - Maximum ambient temperature: +40°C



For the MEI index refer to the hydraulic data of the individual pump.

The performance curves are based on kinematic viscosity values = 1 mm²/s and density equal to 1000 kg/m³. Curve tolerance according to ISO 9906.



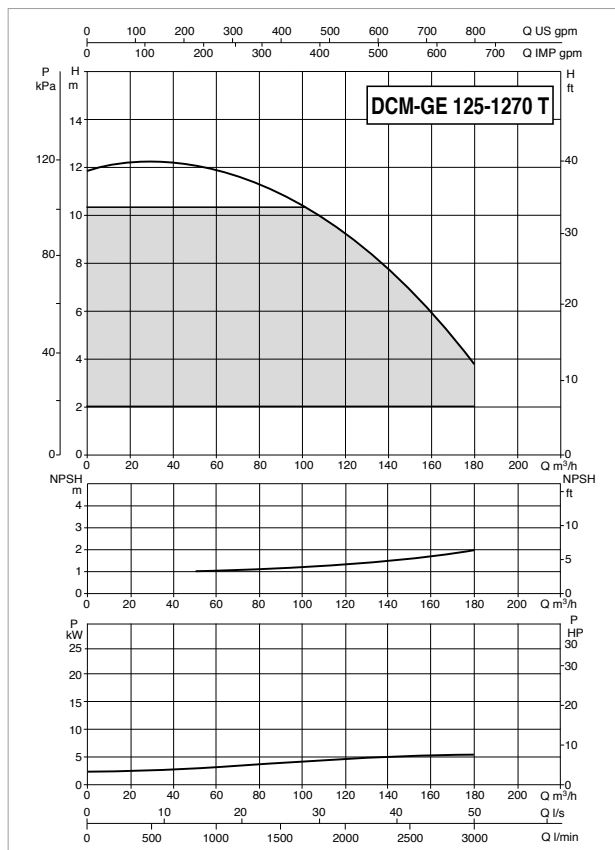
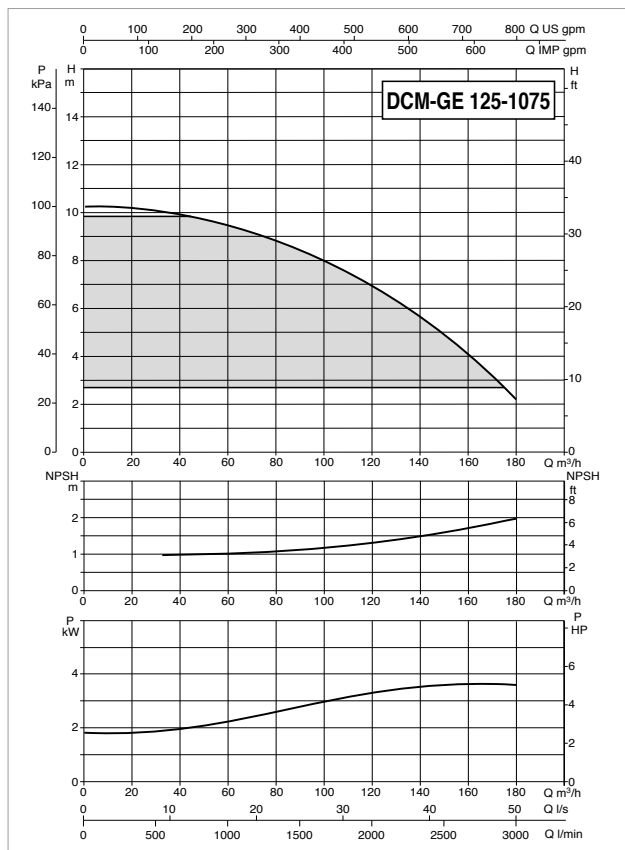
MODEL	ELECTRICAL DATA						
	POWER INPUT 50-60 Hz	MOTOR TYPE	n r.p.m.	P1 MAX W	P2 NOMINAL		In A
					kW	HP	
DCM-GE 100-2550/A/BAQE/ 11 T MCE110/C IE2 *	3x400 V ~	4 poles	1470	12,74	11	15	27
DCM-GE 100-3290/A/BAQE/ 15 T MCE150/C IE2		4 poles	1471	17,91	15	20	37,1

* ΔP-v proportional differential pressure adjustment mode also available.

MODEL	A	B	C	B1	B2	B max	D1	D2	D3	D4	no. of holes	Y	H	H1	H2	L	L1	L2	M	N	PACKING DIMENSIONS			VOL. (m ³)	WEIGHT kg
																					L/A	L/B	H		
DCM-GE 100-2550/A/BAQE/ 11 T MCE110/C IE2	500	836	956	560	575	1135	156	220	180	18	8	425	1237	175	100	670	266	404	M16	300	670	1135	1237	0,94	565
DCM-GE 100-3290/A/BAQE/ 15 T MCE150/C IE2	500	836	956	560	575	1135	156	220	180	18		425	1292	175	100	670	266	404	M16	300	670	1135	1292	0,98	753

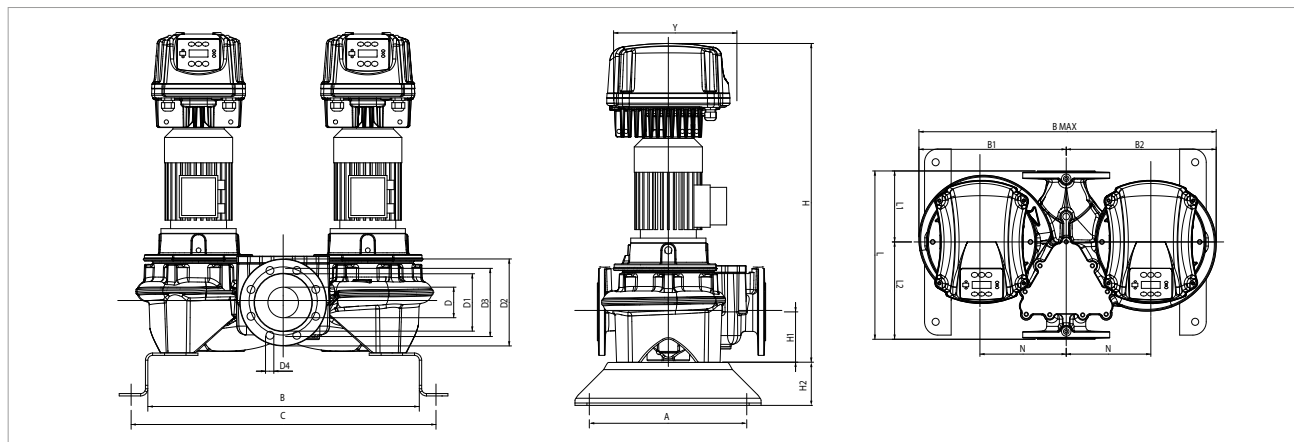
DCM-GE 125 4 POLES - ELECTRONIC IN-LINE PUMPS FOR HEATING, AIR CONDITIONING, REFRIGERATION, SOLAR, AND SANITARY SYSTEMS - TWIN, FLANGED, WITH MCE/C INVERTER

Pumped liquid temperature range: from -10 °C to +140°C - Maximum ambient temperature: +40°C



For the MEI index refer to the hydraulic data of the individual pump.

The performance curves are based on kinematic viscosity values = 1 mm²/s and density equal to 1000 kg/m³. Curve tolerance according to ISO 9906.



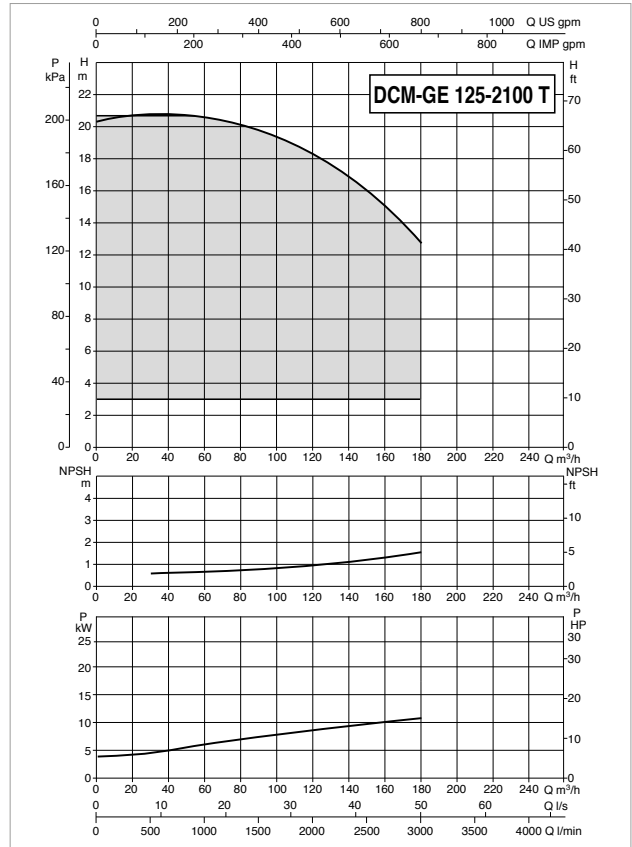
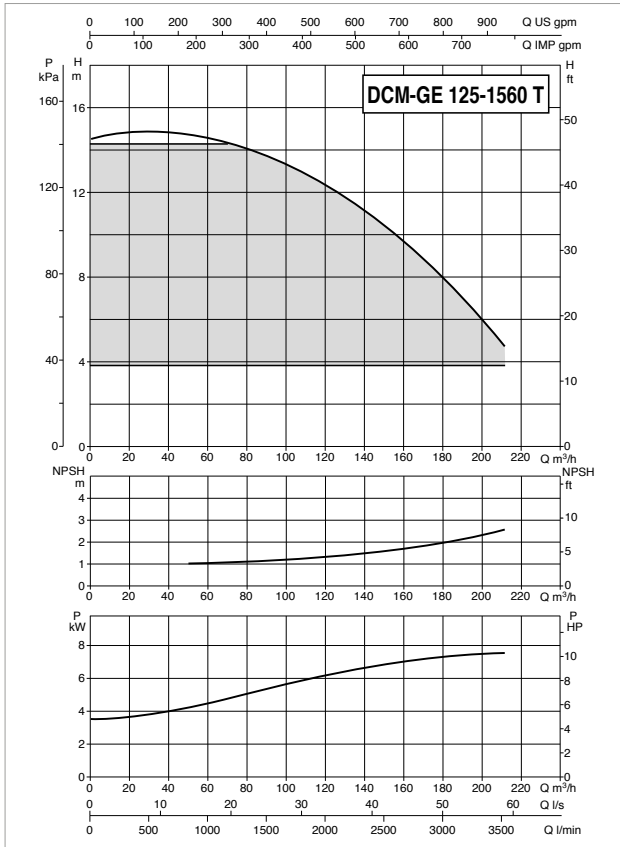
MODEL	ELECTRICAL DATA						
	POWER INPUT 50-60 Hz	MOTOR TYPE	n r.p.m.	P1 MAX W	P2 NOMINAL		In A
					kW	HP	
DCM-GE 125-1075/A/BAQE/ 4 T MCE55/C IE2	3x400 V ~	4 poles	1455	5,38	4	5,5	11
DCM-GE 125-1270/A/BAQE/ 5.5 T MCE55/C IE2 *		4 poles	1465	7,55	5,5	7,5	15,2

* ΔP-v proportional differential pressure adjustment mode also available.

MODEL	A	B	C	B1	B2	B max	D1	D2	D3	D4	no. of holes	Y	H	H1	H2	L	L1	L2	M	N	PACKING DIMENSIONS			VOL. (m ³)	WEIGHT kg
																					L/A	L/B	H		
																					DCM-GE 125-1075/A/BAQE/ 4 T MCE55/C IE2	500	810		
DCM-GE 125-1270/A/BAQE/ 5.5 T MCE55/C IE2	500	810	930	515	535	1050	185	250	210	14	8	352	1089	215	100	620	226	394	M16	300	620	1050	1089	0,71	503

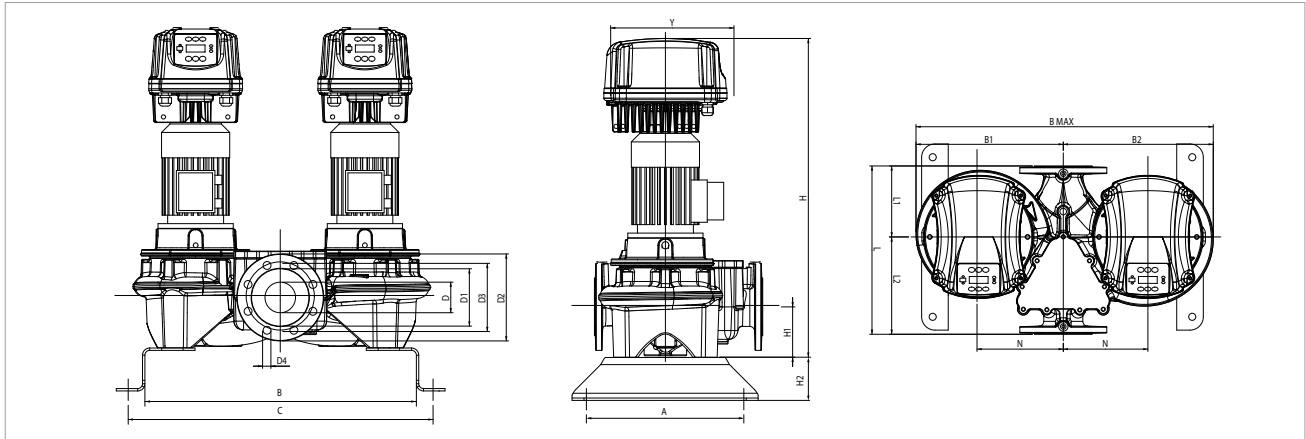
DCM-GE 125 4 POLES - ELECTRONIC IN-LINE PUMPS FOR HEATING, AIR CONDITIONING, REFRIGERATION, SOLAR, AND SANITARY SYSTEMS - TWIN, FLANGED, WITH MCE/C INVERTER

Pumped liquid temperature range: from -10 °C to +140°C - Maximum ambient temperature: +40°C



For the MEI index refer to the hydraulic data of the individual pump.

The performance curves are based on kinematic viscosity values = 1 mm²/s and density equal to 1000 kg/m³. Curve tolerance according to ISO 9906.



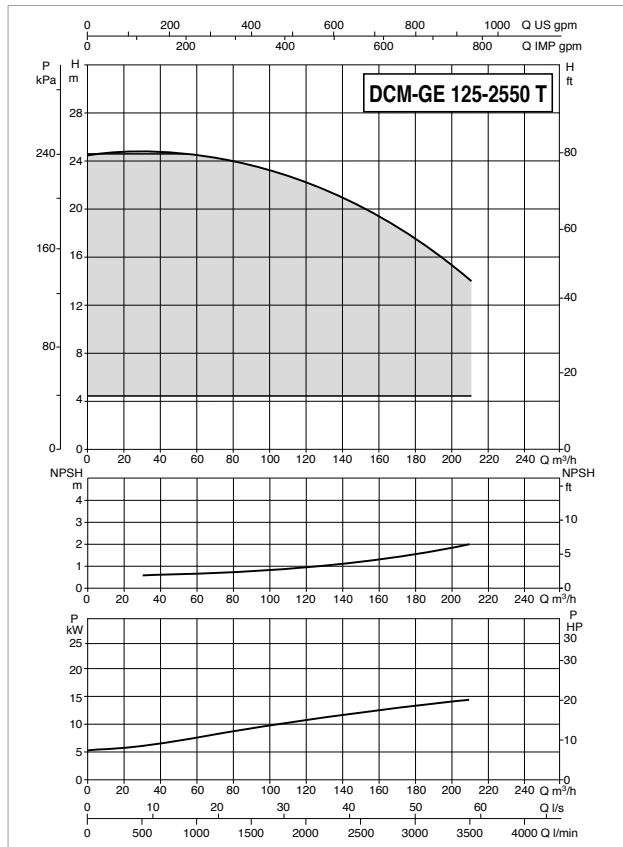
MODEL	ELECTRICAL DATA						
	POWER INPUT 50-60 Hz	MOTOR TYPE	n r.p.m.	P1 MAX W	P2 NOMINAL		In A
					kW	HP	
DCM-GE 125-1560/A/BAQE/ 7.5 T MCE110/C IE2 *	3x400 V ~	4 poles	1469	9,93	7,5	10	20,0
DCM-GE 125-2100/A/BAQE/ 11 T MCE110/C IE2		4 poles	1475	14,30	11	15	29,8

* ΔP-v proportional differential pressure adjustment mode also available.

MODEL	A	B	C	B1	B2	B max	D1	D2	D3	D4	no. of holes	Y	H	H1	H2	L	L1	L2	M	N	PACKING DIMENSIONS			VOL. (m³)	WEIGHT kg
																					L/A	L/B	H		
DCM-GE 125-1560/A/BAQE/ 7.5 T MCE110/C IE2	500	810	930	515	535	1050	185	250	210	14	8	425	1177	215	100	620	226	394	M16	300	620	1050	1177	0,77	538
DCM-GE 125-2100/A/BAQE/ 11 T MCE110/C IE2	500	810	930	555	571	1126	185	250	210	14		425	1297	215	100	800	316	484	M16	300	800	1126	1297	1,17	768

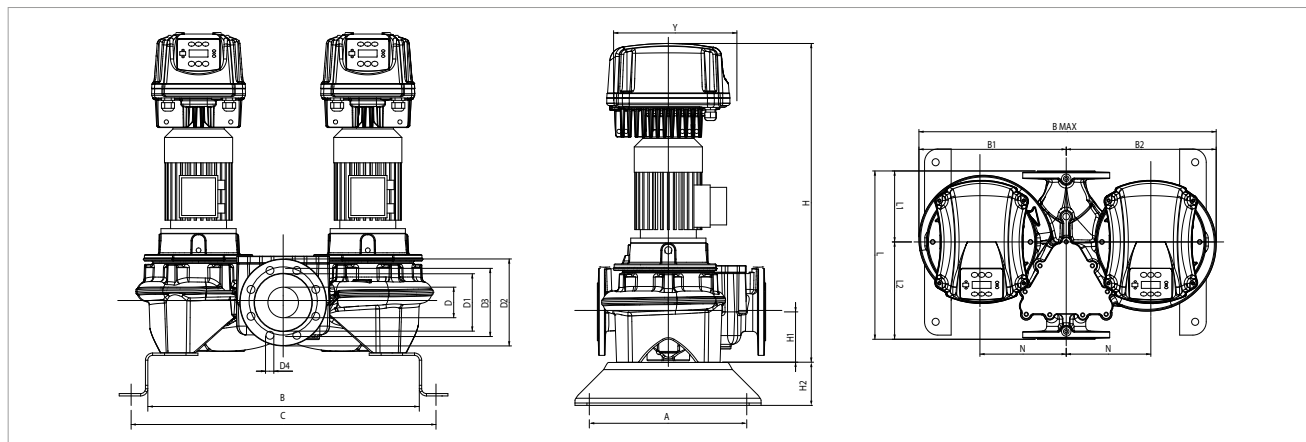
DCM-GE 125 4 POLES - ELECTRONIC IN-LINE PUMPS FOR HEATING, AIR CONDITIONING, REFRIGERATION, SOLAR, AND SANITARY SYSTEMS - TWIN, FLANGED, WITH MCE/C INVERTER

Pumped liquid temperature range: from -10 °C to +140°C - Maximum ambient temperature: +40°C



For the MEI index refer to the hydraulic data of the individual pump.

The performance curves are based on kinematic viscosity values = 1 mm²/s and density equal to 1000 kg/m³. Curve tolerance according to ISO 9906.



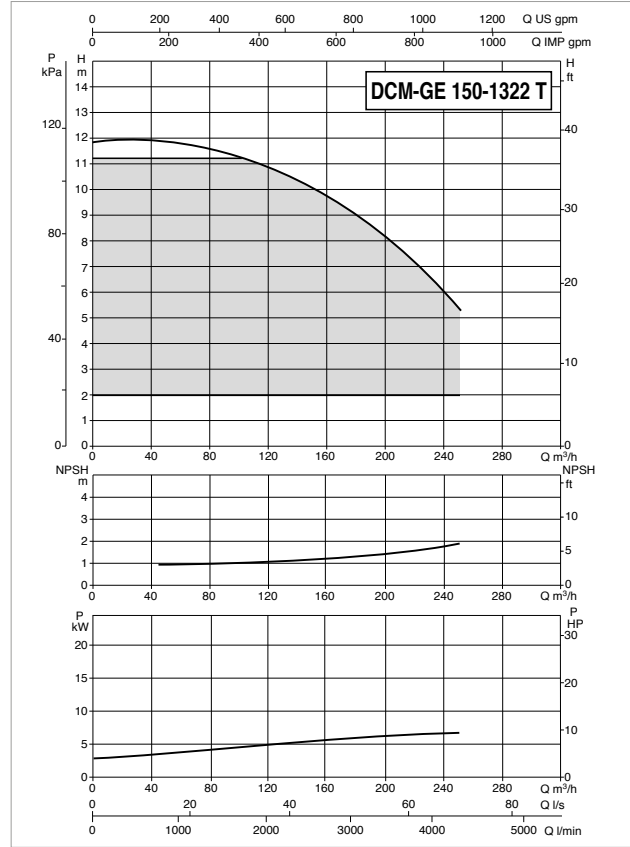
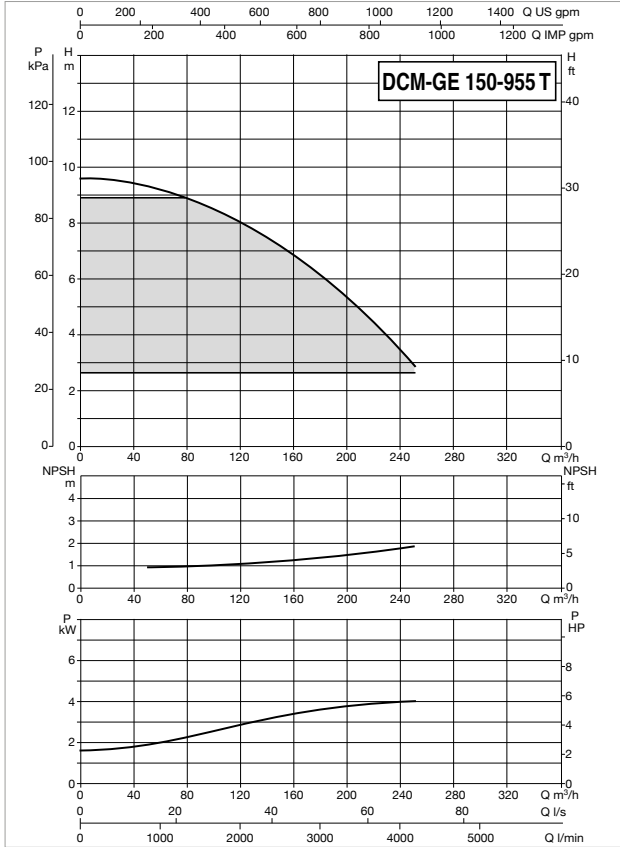
MODEL	ELECTRICAL DATA						
	POWER INPUT 50-60 Hz	MOTOR TYPE	n r.p.m.	P1 MAX W	P2 NOMINAL		In A
					kW	HP	
DCM-GE 125-2550/A/BAQE/ 15 T MCE150/C IE2 *	3x400 V ~	4 poles	1470	17,07	15	20	35,6

* ΔP-v proportional differential pressure adjustment mode also available.

MODEL	A	B	C	B1	B2	B max	D1	D2	D3	D4	no. of holes	Y	H	H1	H2	L	L1	L2	M	N	PACKING DIMENSIONS			VOL. (m³)	WEIGHT kg
																					L/A	L/B	H		
DCM-GE 125-2550/A/BAQE/ 15 T MCE150/C IE2	500	810	930	555	571	1126	185	250	210	14	8	425	1352	215	100	800	316	484	M16	300	800	1126	1352	1,22	880

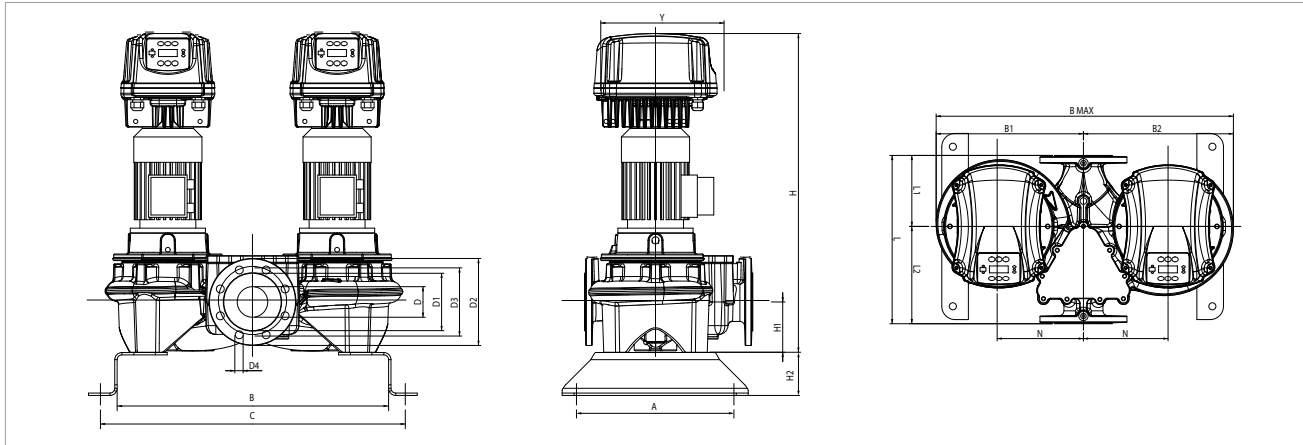
DCM-GE 150 4 POLES - ELECTRONIC IN-LINE PUMPS FOR CIRCULATION SYSTEMS TWIN, FLANGED, WITH MCE/C INVERTER

Pumped liquid temperature range: from -10 °C to +140°C - Maximum ambient temperature: +40°C



For the MEI index refer to the hydraulic data of the individual pump.

The performance curves are based on kinematic viscosity values = 1 mm²/s and density equal to 1000 kg/m³. Curve tolerance according to ISO 9906.

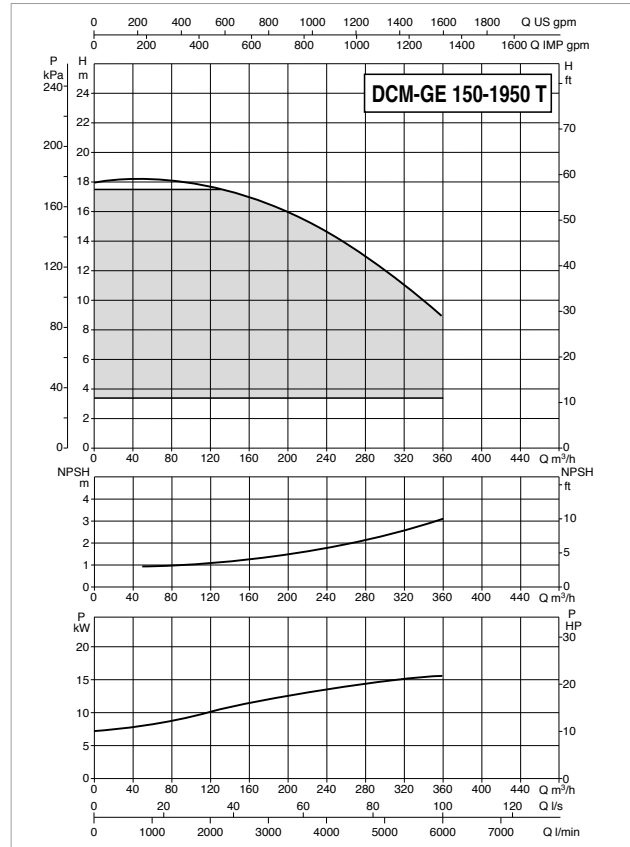
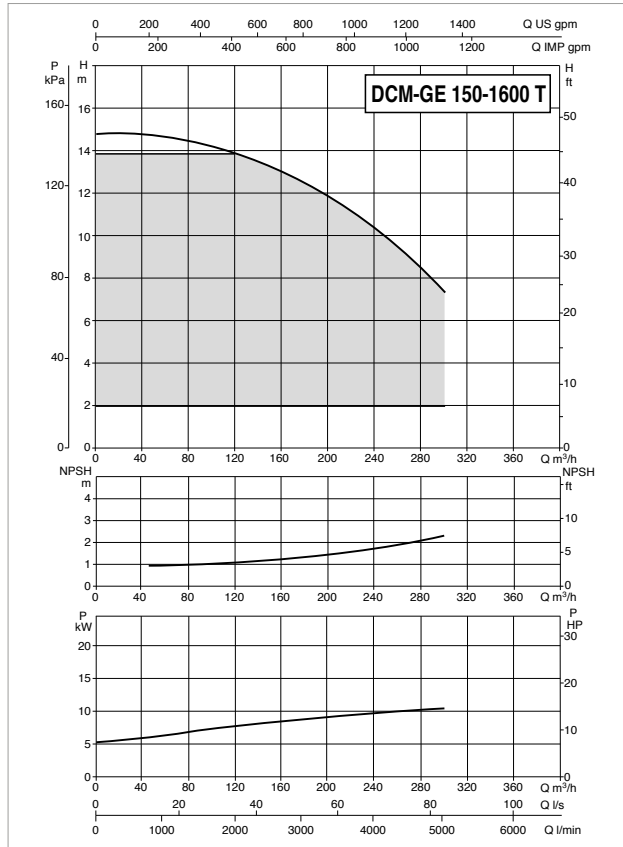


MODEL	ELECTRICAL DATA						
	POWER INPUT 50-60 Hz	MOTOR TYPE	n r.p.m.	P1 MAX W	P2 NOMINAL		In A
					kW	HP	
DCM-GE 150- 955/A/BAQE/ 5.5 T MCE55/C IE2	3x400 V ~	4 poles	1460	7,55	5,5	7,5	15,5
DCM-GE 150-1322/A/BAQE/ 7.5 T MCE110/C IE2		4 poles	1460	9,86	7,5	10	19,5

MODEL	A	B	C	B1	B2	B max	D1	D2	D3	D4	no. of holes	Y	H	H1	H2	L	L1	L2	M	N	PACKING DIMENSIONS			VOL. (m³)	WEIGHT kg
																					L/A	L/B	H		
DCM-GE 150- 955/A/BAQE/ 5.5 T MCE55/C IE2	500	805	925	550	580	1130	210	285	240	22	8	352	1112	215	100	800	296	504	M16	300	800	1130	1112	1,01	658
DCM-GE 150-1322/A/BAQE/ 7.5 T MCE110/C IE2	500	805	925	550	580	1130	210	285	240	22		425	1200	215	100	800	296	504	M16	300	800	1130	1200	1,08	693

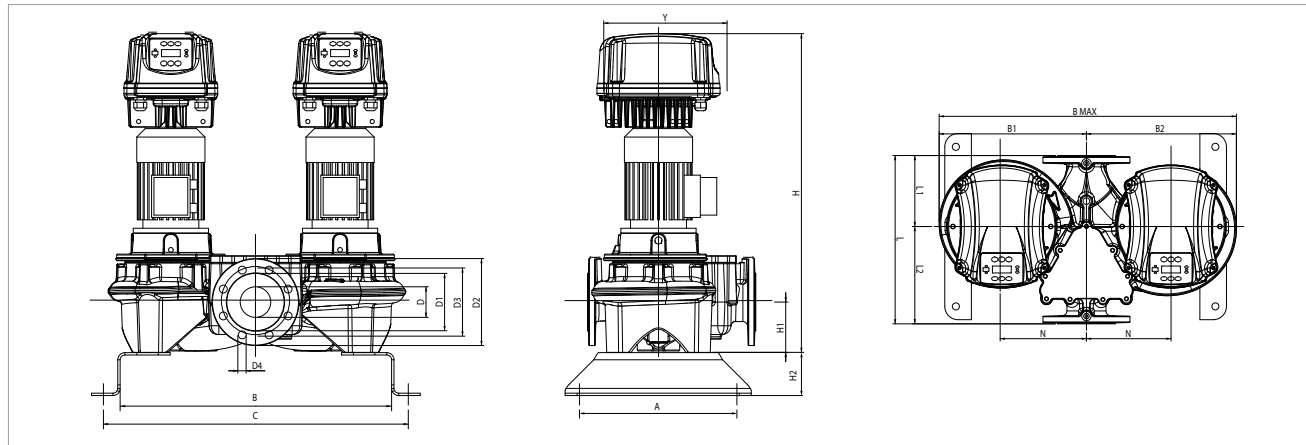
DCM-GE 150 4 POLES - ELECTRONIC IN-LINE PUMPS FOR HEATING, AIR CONDITIONING, REFRIGERATION, SOLAR, AND SANITARY SYSTEMS - TWIN, FLANGED, WITH MCE/C INVERTER

Pumped liquid temperature range: from -10 °C to +140°C - Maximum ambient temperature: +40°C



For the MEI index refer to the hydraulic data of the individual pump.

The performance curves are based on kinematic viscosity values = 1 mm²/s and density equal to 1000 kg/m³. Curve tolerance according to ISO 9906.



MODEL	ELECTRICAL DATA						
	POWER INPUT 50-60 Hz	MOTOR TYPE	n r.p.m.	P1 MAX W	P2 NOMINAL		In A
					kW	HP	
DCM-GE 150-1600/A/BAQE/ 11 T MCE110/C IE2 *	3x400 V ~	4 poles	1450	14,97	11	15	31,4
DCM-GE 150-1950/A/BAQE/ 15 T MCE150/C IE2 *		4 poles	1470	19,31	15	20	39,9

* ΔP-v proportional differential pressure adjustment mode also available.

MODEL	A	B	C	B1	B2	B max	D1	D2	D3	D4	no. of holes	Y	H	H1	H2	L	L1	L2	M	N	PACKING DIMENSIONS			VOL. (m ³)	WEIGHT kg
																					L/A	L/B	H		
DCM-GE 150-1600/A/BAQE/ 11 T MCE110/C IE2	500	805	925	550	580	1130	210	285	240	22	8	425	1305	215	100	800	296	504	M16	300	800	1130	1305	1,18	719
DCM-GE 150-1950/A/BAQE/ 15 T MCE150/C IE2	500	805	925	550	580	1130	210	285	240	22		425	1360	215	100	800	296	504	M16	300	800	1130	1360	1,23	818

CPE / CP-GE / DCPE / DCP-GE

ELECTRONIC IN-LINE PUMPS FOR CIRCULATION SYSTEMS



TECHNICAL DATA

Operating range:

from 1,2 to 230 m³/h with head up to 56 metres

Pumped liquid: clean, free of solids and abrasives, non-viscous, non-aggressive, non-crystallised and chemically neutral, with properties similar to water.

Maximum operating pressure:

PN10 : DN 40 - DN 50

PN16 : Remainder of the range

Flanging: PN 16.

Counter flanges on request:

DN 40 - DN 50 - DN 65 - DN 80 - DN 100 - DN 125 - DN 150; PN 16.

Protection: IP 55

Insulation: class F

Liquid temperature range:

-10 °C to +130 °C for DN 40 - 50

-10 °C to +140 °C for the remainder of the range

Maximum ambient temperature: +40°C

Maximum working pressure: 16 bar

Standard single-phase voltage: 1x220-240 V / 50-60 Hz

Special version on request:

three-phase 3x400 V / 50 Hz or three-phase 3x460 V / 60 Hz

Standard three-phase voltage: 3x400 V / 50 Hz

Special version on request: 3x460 V / 60 Hz

Pumped liquid: clean, free of solids and abrasives, non-viscous, non-aggressive, non-crystallised and chemically neutral.

APPLICATIONS

In-line port circulation pumps, suitable for heating, air conditioning, refrigeration and sanitary water systems. Particularly versatile thanks to the use of the MCE/C inverter, offering performance features capable of automatically adapting to the different needs of the system, keeping a consistent differential pressure. Available in the single and twin versions.

CONSTRUCTION FEATURES OF THE PUMP

PN 16 flanged suction and delivery ports with threaded holes for control manometers. Cast iron pump body and motor support, cast iron or technopolymer impeller depending on mode (bronze impeller available on request for DN 65 to DN 150 models only). Stainless steel motor shaft. Seal device: standardised mechanical seal according to DIN 24960 in carbon/silicon carbide with EPDM OR rings.

CONSTRUCTION FEATURES OF THE MOTOR

External ventilation asynchronous type motor. Rotor running on ball bearings, oversized to ensure low noise and durability. Construction according to CEI 2-3.

CONSTRUCTION FEATURES OF THE ELECTRONICS: MCE/C INVERTER

MCE/C inverters are the latest technological achievement of the DAB inverter range. They represent a new generation of inverters for use with circulation pumps, and set themselves apart due to ease of use, power, simplicity of installation and management. MCE/C inverters have been designed for managing circulation pumps. By allowing a simple adjustment of the differential pressure, they give the possibility of adjusting the performance of the circulation pump to the actual system requirements. They are fitted on the fan cover of the motor. This makes the installation of the pump with MCE/C particularly easy and quick. The protection class of the MCE/C is IP55. The easy of programming is guaranteed by the use of a simple and intuitive interface, similar to Dialogue electronic circulators, and a graphic display. MCE/C inverters have a double micro-processor construction that guarantees maximum efficiency and reliability.

A reliable and sturdy construction, together with a modern and innovative design, complete the product, also in terms of aesthetic value. MCE/C inverters protect the motor and the pump, and increase their life, by eliminating hammering effects and making the pump rotate at the minimum number of rotations capable of meeting the requirements of the user. In addition, electric pumps controlled by the MCE/C inverter are environmentally friendly. In fact, by ensuring that the pump only uses the power that is strictly necessary for meeting the needs of the users, electricity consumption is strongly reduced when compared with fixed speed pumps. It is possible to create twin units by using the appropriate cable for the connection of MCE/C inverters.

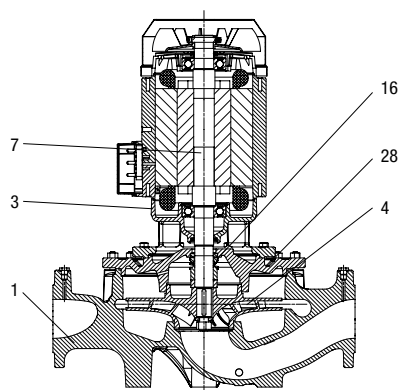
CPE / CP-GE / DCPE / DCP-GE

ELECTRONIC IN-LINE PUMPS FOR CIRCULATION SYSTEMS

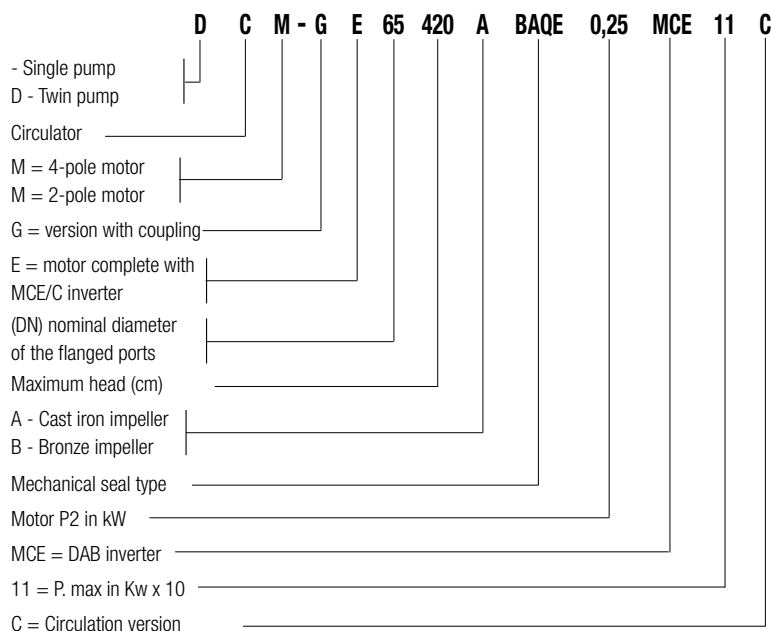
MATERIALS

N.	PARTS	MATERIALS
1	PUMP BODY	CAST IRON 250 UNI ISO 185
3	SUPPORT	CAST IRON 250 UNI ISO 185
4	IMPELLER	CAST IRON DN 65-80-100 / DCPE DN 40 - 50 / CPE 40-4700T, CPE 40-5500T, CPE 40-6200T, CPE 50-4600T, CPE 50-5650T
		TECHNOPOLYMER B CPE 40-2300T, CPE 40-3500T, CPE 50-2600T, CPE 50-4100T
7	SHAFT WITH ROTOR	AISI 303 STAINLESS STEEL X10 CrNiS 1809 UNI 6900/71
16	MECHANICAL SEAL	CARBON/GRAPHITE
28	OR RING	EPDM RUBBER

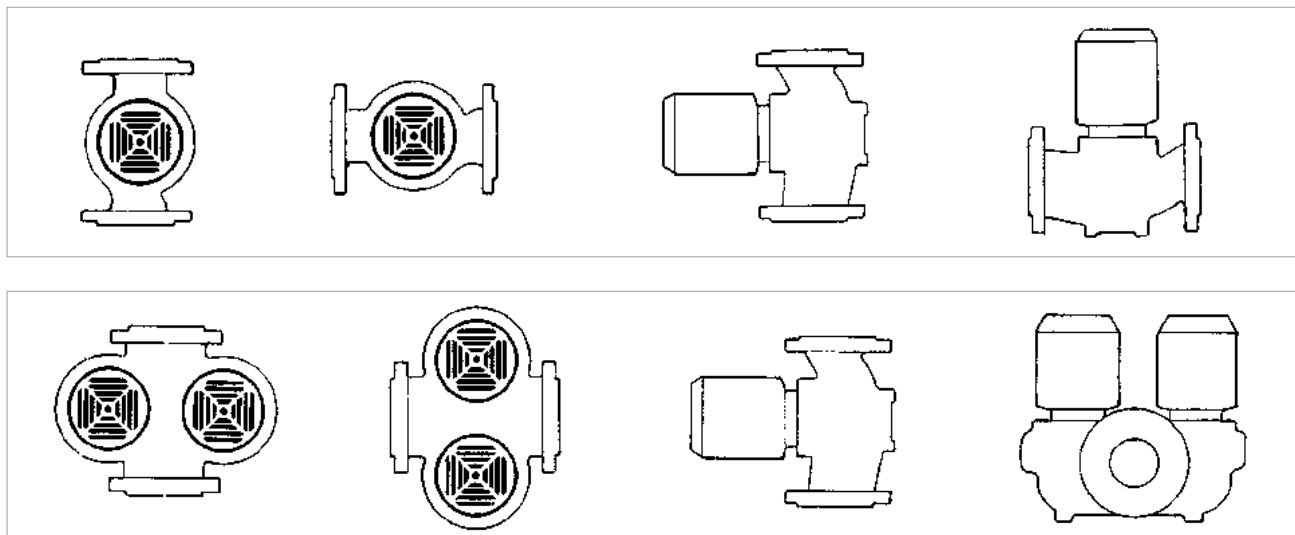
* In contact with the liquid



- Legend: (example)



Installation: horizontal or vertical position, provided that the motor is always above the pump.



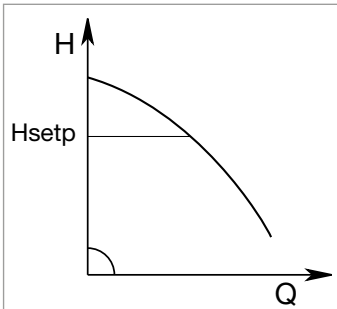
MCE/C INVERTER

MODES OF OPERATION

All the functions listed below can be consulted by the users (including less experienced ones) by simply scrolling through the MCE/C menu. The calibration and the modification of the parameters are protected, and can only be completed by expert users.

1 - ΔP -c constant differential pressure adjustment mode

The ΔP -c adjustment mode keeps the differential pressure of the system constantly at the H (setp) value set, even in case of variation of the flow rate. This is the standard adjustment used. It can be set directly from the MCE/C control panel. The inverter keeps the differential pressure (H setp) constant even in case of flow variation.



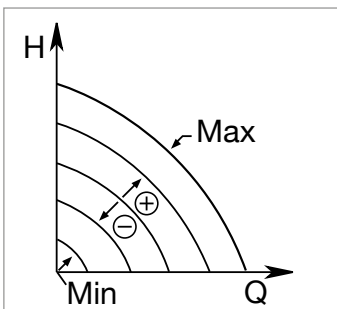
This adjustment is particularly indicated for the following systems:

- a. two-pipe heating systems with thermostat valves
- b. underfloor heating systems with thermostat valves
- c. single-pipe heating systems with thermostat valves and calibration valves
- d. systems with primary circuit pumps

2 - Constant curve adjustment modes

2.1 - Constant curve adjustment

The rotation speed is kept at a constant number of revolutions. This rotation speed can be set between a minimum value and the nominal frequency of the circulation pump (e.g. between 15 Hz and 50 Hz). This mode can be set using the control panel on the MCE cover.

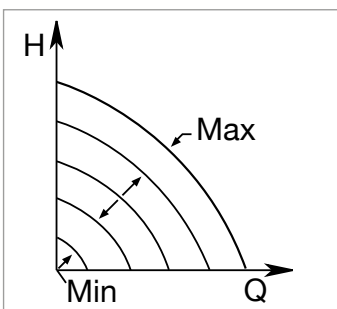


2.2 - Adjustment of the constant curve with external analogue signal

The rotation speed is kept at a constant number of revolution in proportion with the voltage of the external analogue signal.

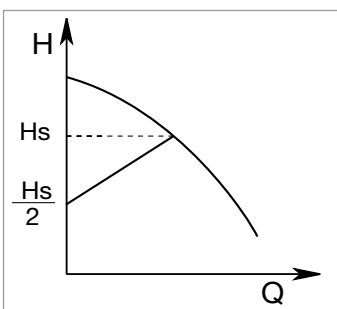
The rotation speed changes in a linear way, between the nominal frequency of the pump when $V_{in} = 10$ V, and the minimum frequency when $V_{in} = 0$ V.

This mode can be set using the control panel on the MCE cover.



3 - ΔP -v * proportional differential pressure adjustment mode

With ΔP -v adjustment mode, with the variation of the flow rate, the value of the delivery of the head also varies in a linear manner, from Hsetp to Hsetp/2.



For more information refer to the technical appendix.

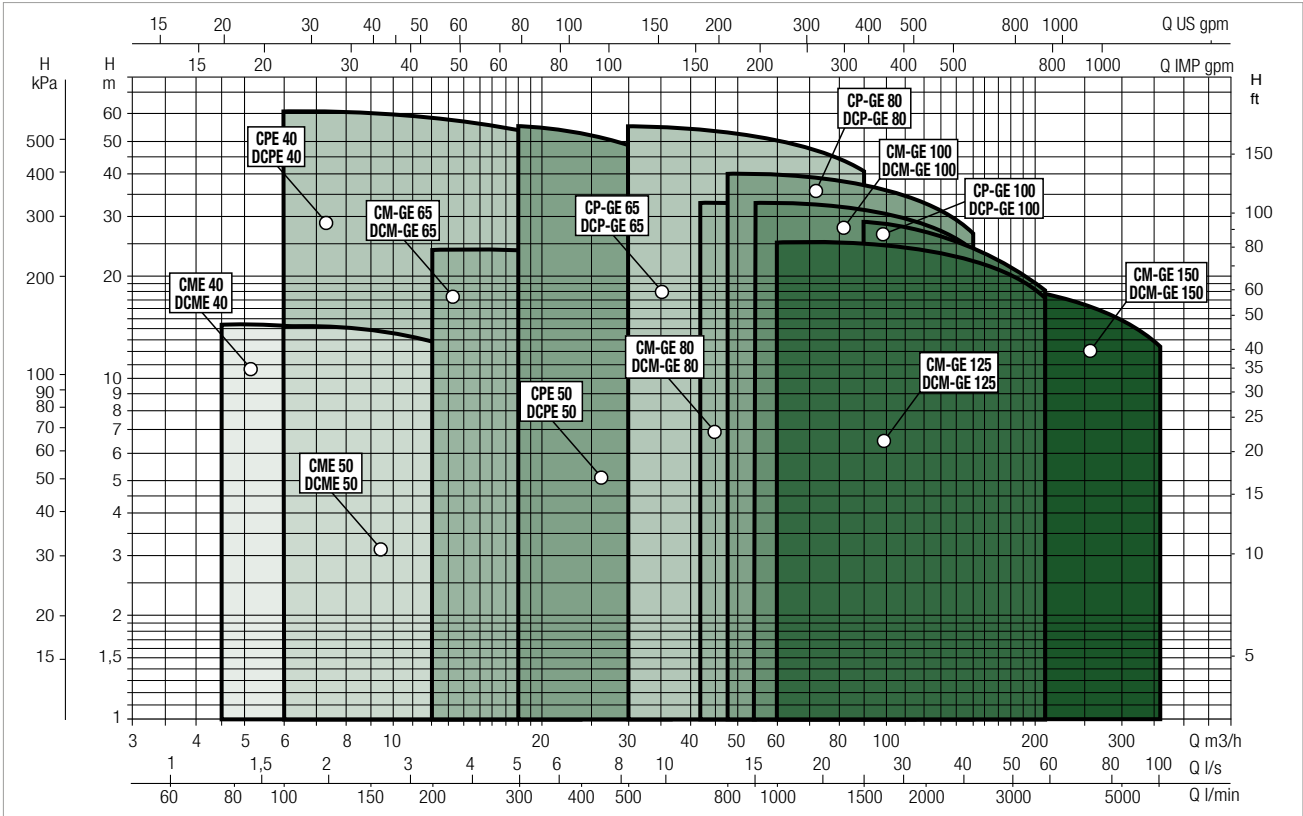
ELECTRIC IN-LINE PUMPS

ELECTRONIC IN-LINE PUMPS FOR CIRCULATION SYSTEMS

PERFORMANCE RANGE

The performance curves are based on kinematic viscosity values = 1 mm²/s and density equal to 1000 kg/m³. Curve tolerance according to ISO 9906.

GRAPHIC SELECTION TABLE



SELECTION TABLE - CPE - 2 POLES

MODEL	Q=																			
	m ³ /h	0	3,6	4,8	6	12	18	24	30	36	42	48	54	60	66	72	78	84	90	
	Q=	0	60	80	100	200	300	400	500	600	700	800	900	1000	1100	1200	1300	1400	1500	
	l/min																			
CPE 40/2300 M MCE11/C IE2	H (m)	21,8	21,8	21,3	21	18														
CPE 40/2300 T MCE30/C IE2		21,8	21,8	21,3	21	18														
CPE 40/3500 M MCE22/C IE2		34,8	34,9	34,7	34,2	31,7														
CPE 40/3500 T MCE30/C IE2		34,8	34,9	34,7	34,2	31,7														
CPE 40/4700 T MCE55/C IE2					47	44	39,5	35												
CPE 40/5500 T MCE55/C IE2					55	53	48	42												
CPE 40/6200 T MCE110/C IE2					62	59	54	49												
CPE 50/2600 M MCE15/C IE2					25	22	16													
CPE 50/2600 T MCE 30/C IE2					25	22	16													
CPE 50/4100 T MCE30/C IE2					40,7	38,5	34,5	27,7												
CPE 50/4600 T MCE55/C IE2							44	41,5	37	31										
CPE 50/5650 T MCE110/C IE2							55,5	53	49	44										

CPE / CP-GE / DCPE / DCP-GE

ELECTRONIC IN-LINE PUMPS FOR CIRCULATION SYSTEMS

SELECTION TABLE - CPE - 2 POLES

MODEL	Q=	0	6	12	18	24	30	36	42	48	54	60	66	72	78	84	90	102	114	120	150	180	210	
	m ³ /h	0	100	200	300	400	500	600	700	800	900	1000	1100	1200	1300	1400	1500	1700	1900	2000	2500	3000	3500	
CP-GE 65-1470/A/BAQE/1.5 M MCE11/C IE2	H (m)	14,7	14,5	14,3	13,8	13	11,8	10,5	8,6	7														
CP-GE 65-1470/A/BAQE/1.5 T MCE30/C IE2		14,7	14,5	14,3	13,8	13	11,8	10,5	8,6	7														
CP-GE 65-2280/A/BAQE/3 T MCE30/C IE2		22,8	22,5	22,3	22	21,2	20,2	19	17,4	15,5	13,5													
CP-GE 65-2640/A/BAQE/4 T MCE55/C IE2		26,4	26,2	26	25,6	25	24	23	21,5	19,5	17,5	15												
CP-GE 65-3400/A/BAQE/5.5 T MCE55/C IE2		34			34	33,5	32,5	31	29,5	27	24													
CP-GE 65-4100/A/BAQE/7.5 T MCE110/C IE2		41			41	41	40	39	37,5	35,5	33	30	26,5											
CP-GE 65-4700/A/BAQE/11 T MCE110/C IE2		47					45,5	45	44,3	43,3	42	40,8	39	37	35	32,3								
CP-GE 65-5500/A/BAQE/15 T MCE150/C IE2		55					56	55,5	54	53,5	52	51	49	47,5	45,5	43	41							
CP-GE 80-1400/A/BAQE/2.2 M MCE22/C IE2		14				13,8	13,3	12,9	12,5	12,1	11,4	10,8	10	9,2	8,3	7,5								
CP-GE 80-1400/A/BAQE/2.2 T MCE30/C IE2		14				13,8	13,3	12,9	12,5	12,1	11,4	10,8	10	9,2	8,3	7,5								
CP-GE 80-2050/A/BAQE/4 T MCE55/C IE2		20,5				20	19,5	19,1	18,5	18	17,5	16,5	15,8	14,8	14	12,5	11,5							
CP-GE 80-2400/A/BAQE/5.5 T MCE55/C IE2		24				23,6	23,5	23,2	22,8	22,2	21,5	21	20	19,1	18,5	17,5	16,5	13,4						
CP-GE 80-2770/A/BAQE/7.5 T MCE110/C IE2		27,7								27,5	27,3	27,1	26,7	25,8	25,6	24,9	24,5	23	21,2	20,1				
CP-GE 80-3250/A/BAQE/11 T MCE110/C IE2		32,5								32,2	32	31,8	31,3	30,2	30	29,2	28,7	27	24,8	23,6				
CP-GE 80-4000/A/BAQE/15 T MCE150/C IE2		40								40,2	40	39,8	39,5	39	38,5	38,2	37,5	36	34,5	33,5	26,9			
CP-GE 100-1600/A/BAQE/4 T MCE55/C IE2		16						15	14,6	14,2	13,7	13,3	12,8	12,3	11,7	11	10,4	9,3	8					
CP-GE 100-1950/A/BAQE/5.5 T MCE55/C IE2		19,5						19	18,9	18,7	18,4	18,1	17,5	17,2	16,9	16,5	15,8	14,5	13	12				
CP-GE 100-2350/A/BAQE/7.5 T MCE110/C IE2		23,5						23,1	23	22,8	22,6	22,5	22	21,6	21,1	20,7	20,2	19	17,5	14,8	12			
CP-GE 100-2400/A/BAQE/11 T MCE110/C IE2		24															22	21,4	20,4	20	17,4	16,8	12	
CP-GE 100-3050/A/BAQE/15 T MCE150/C IE2		30,5															29	28,4	27,5	27	24,5	21,3	18,3	

CPE / CP-GE / DCPE / DCP-GE

ELECTRONIC IN-LINE PUMPS FOR CIRCULATION SYSTEMS

SELECTION TABLE - DCPE - 2 POLES

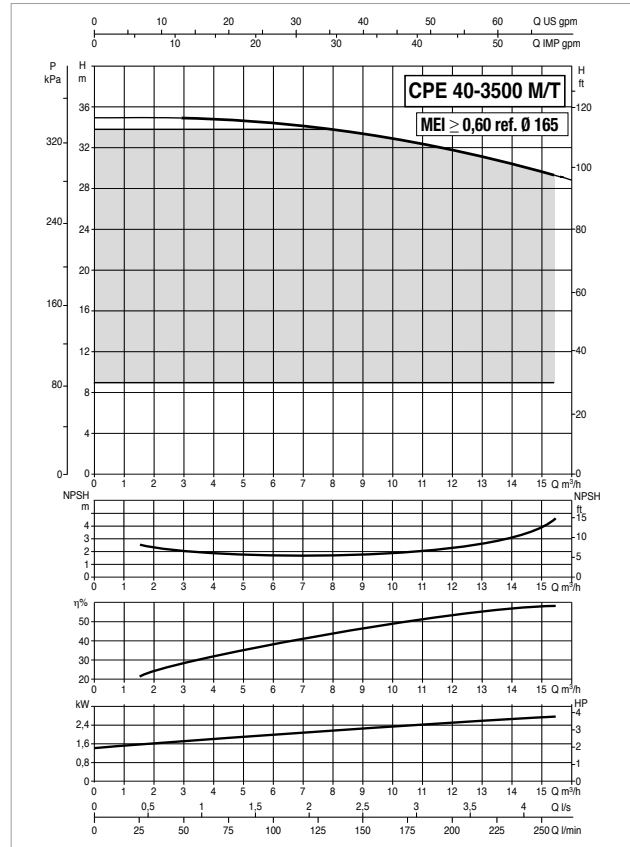
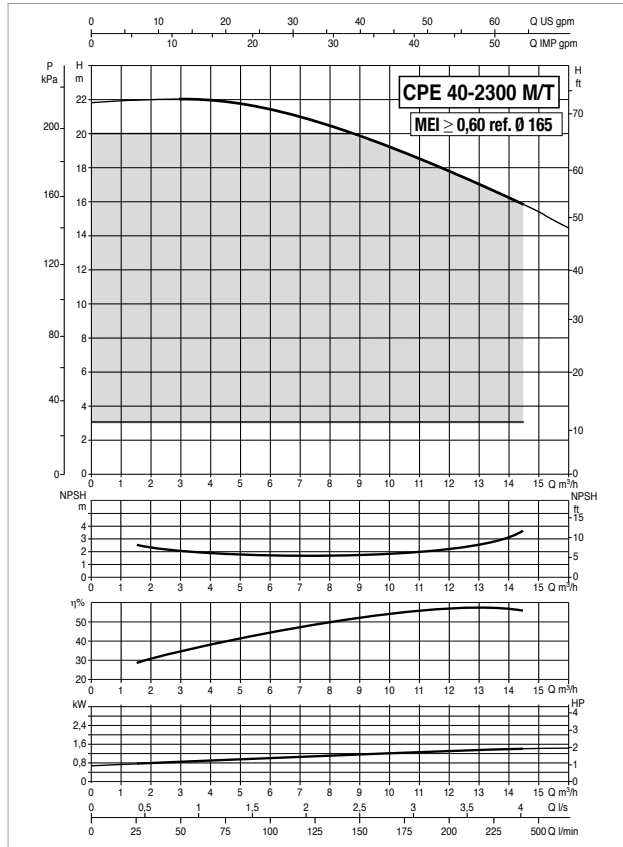
MODEL	Q=	6	7,5	9	10,5	12	13,5	15	18	21	24	27	30	36	42	48	54	60	180	210		
	m ³ /h Q= l/min	100	125	150	175	200	225	250	300	350	400	450	500	600	700	800	900	1000	3000	3500		
DCPE 40/1650 M MCE11/C IE2	H (m)	16,5	15,5	14,5	13,5	12,3	11	9,5	6													
DCPE 40/2450 M MCE15/C IE2		24,5	24	23,5	23	22	21	20	16,5	13												
DCPE 40/2450 T MCE30/C IE2		24,5	24	23,5	23	22	21	20	16,5	13												
DCPE 50/1550 M MCE15/C IE2								15,5	15	14,1	13	11,8	10,5	7								
DCPE 50/1550 T MCE30/C IE2								15,5	15	14,1	13	11,8	10,5	7								
DCPE 50/2450 T MCE30/C IE2								24,5	24	23,5	23	22	20,5	17								
DCPE 50/3650 T MCE55/C IE2								36,5	35,5	34,5	33,5	32,5	31	27								

SELECTION TABLE - DCP-GE - 2 POLES

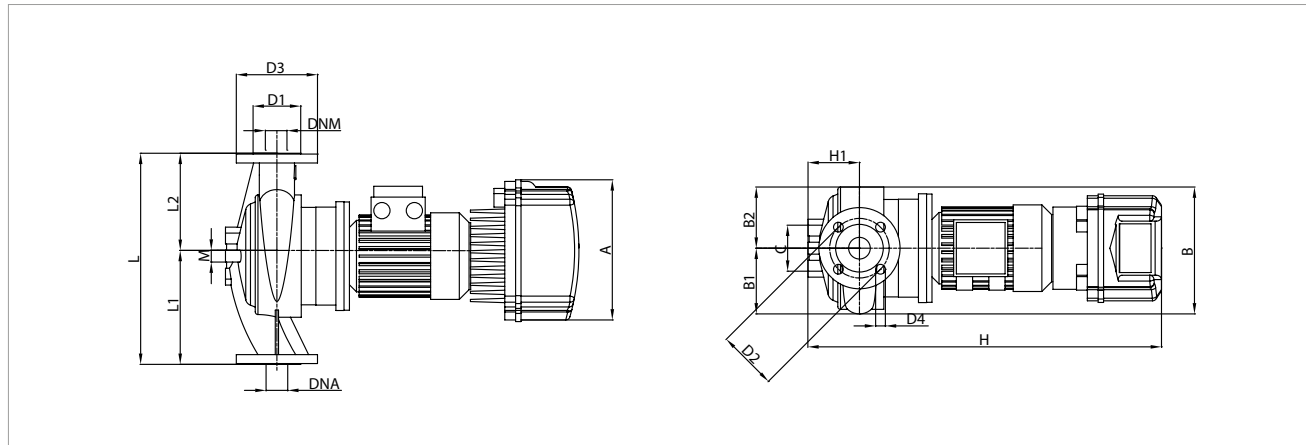
MODEL	Q=	0	6	12	18	24	30	36	42	48	54	60	66	72	78	84	90	102	114	120	150	180	210	
	m ³ /h Q= l/min	0	100	200	300	400	500	600	700	800	900	1000	1100	1200	1300	1400	1500	1700	1900	2000	2500	3000	3500	
DCP-GE 65-1470/A/BAQE/1.5M MCE11/C	H (m)	14,4	14,2	13,8	13,1	12,0	10,6	9,0	7,0	5,3														
DCP-GE 65-1470/A/BAQE/1.5 T MCE30/C		14,4	14,2	13,8	13,1	12,0	10,6	9,0	7,0	5,3														
DCP-GE 65-2280/A/BAQE/3 T MCE30/C		22,3			21,1	19,9	18,4	16,8	14,7	12,5	10,2													
DCP-GE 65-2640/A/BAQE/4 T MCE55/C		25,9			24,6	23,7	22,2	20,7	18,8	16,4	14,0	11,4												
DCP-GE 65-3400/A/BAQE/5.5 T MCE55/C		33,3			32,5	31,4	29,7	27,4	25,0	21,7	18,2													
DCP-GE 65-4100/A/BAQE/7.5 T MCE110/C		40,2			39,6	39,0	37,4	35,7	33,4	30,7	27,5	23,9	20,1											
DCP-GE 65-4700/A/BAQE/11 T MCE110/C		46,4				44,3	43,6	42,6	41,3	39,6	38,1	35,9	33,6	31,3										
DCP-GE 65-5500/A/BAQE/15 T MCE150/C		54,3				54,7	53,9	52,1	51,2	49,4	48,0	45,6	43,7	41,3	38,4	36,1								
DCP-GE 80-1400/A/BAQE/2.2 M MCE30/C		13,7				14,3	13,7	13,0	12,3	11,4	10,3	9,1	7,8	6,5	5,2	4,0								
DCP-GE 80-1400/A/BAQE/2.2 T MCE30/C		13,7				14,3	13,7	13,0	12,3	11,4	10,3	9,1	7,8	6,5	5,2	4,0								
DCP-GE 80-2050/A/BAQE/4T MCE55/C		20,1				20,8	20,1	19,5	18,4	17,4	16,2	14,6	13,1	11,3	9,7	7,7	6,1							
DCP-GE 80-2400/A/BAQE/5.5 T MCE55/C		23,5				24,5	24,4	23,9	23,1	22,1	20,8	19,6	17,9	16,3	14,8	13,0	11,2	7,1						
DCP-GE 80-2770/A/BAQE/7.5 T MCE110/C		27,1								26,6	26,0	25,3	24,3	22,8	21,9	20,5	19,3	16,2	13,0	11,3				
DCP-GE 80-3250/A/BAQE/11 T MCE110/C		31,9								31,2	30,5	29,7	28,5	26,7	25,6	24,0	22,6	19,1	15,2	13,2				
DCP-GE 80-4000/A/BAQE/15 T MCE150/C		39,2								39,7	39,1	38,5	37,7	36,7	35,6	34,6	33,2	30,1	26,9	25,1	15,1			
DCP-GE 100-1600/A/BAQE/4 T MCE55/C		16,0						15,8	15,2	14,5	13,6	12,8	11,8	10,8	9,6	8,4	7,3	5,1	3,0					
DCP-GE 100-1950/A/BAQE/5.5 T MCE55/C		19,5						20,1	19,8	19,2	18,5	17,7	16,5	15,5	14,5	13,3	11,8	9,0	6,0	4,5				
DCP-GE 100-2350/A/BAQE/7.5 T MCE110/C		23,5						24,5	24,4	24,0	23,6	23,1	22,2	21,4	20,4	19,4	18,3	15,7	12,9	11,7	4,5			
DCP-GE 100-2400/A/BAQE/11 T MCE110/C		23,6															21,9	21,0	19,7	19,1	15,5	13,4	8,2	
DCP-GE 100-3050/A/BAQE/15 T MCE150/C		30,0															28,9	27,9	26,5	25,8	21,8	17,0	12,5	

CPE 40 2 POLI - ELECTRONIC IN-LINE PUMPS FOR HEATING, AIR CONDITIONING, REFRIGERATION, SOLAR, AND SANITARY SYSTEMS - SINGLE, FLANGED, WITH MCE/C INVERTER

Pumped liquid temperature range: from -10 °C to +130°C - Maximum ambient temperature: +40°C



The MEI values for inverter controlled pumps refer to similar versions without electronics
The performance curves are based on kinematic viscosity values = 1 mm²/s and density equal to 1000 kg/m³. Curve tolerance according to ISO 9906.

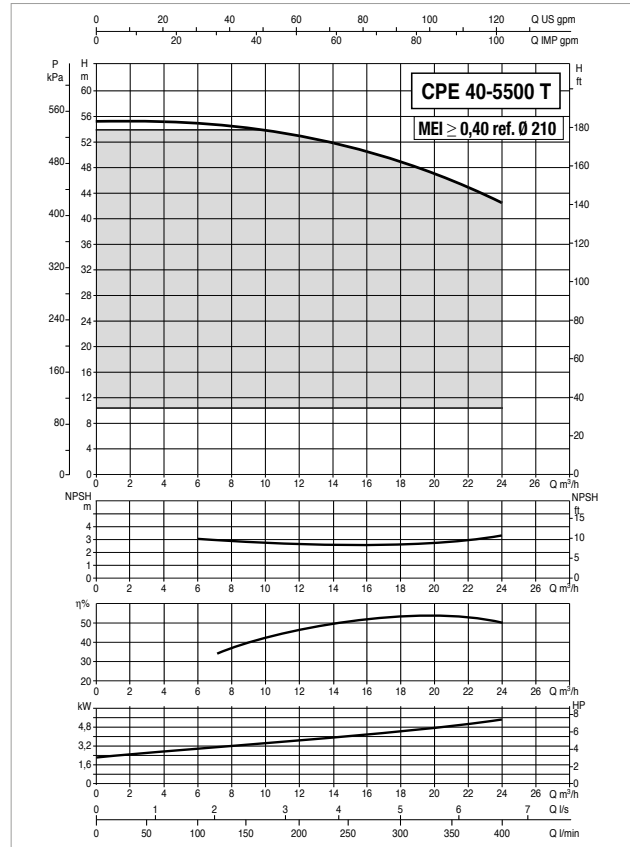
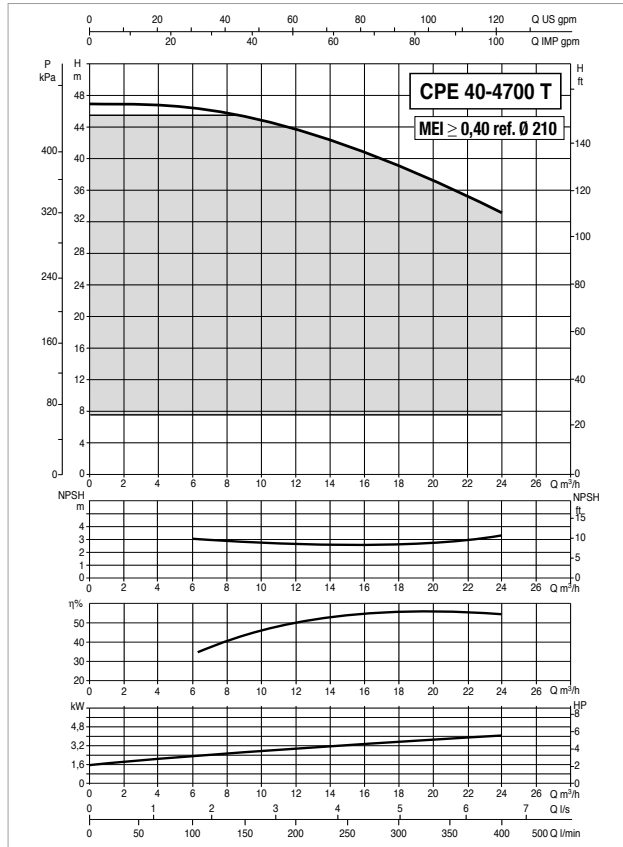


MODEL	ELECTRICAL DATA						
	POWER INPUT 50-60 Hz	MOTOR TYPE	n r.p.m.	P1 MAX W	P2 NOMINAL		In A
					kW	HP	
CPE 40/2300 M MCE11/C IE2	1 x 220-240 V ~	2 poles	2905	1,57	1,10	1,5	12,0
CPE 40/2300 T MCE30/C IE2	3 x 400 V ~	2 poles	2905	1,57	1,10	1,5	t.b.d.
CPE 40/3500 M MCE22/C IE2	1 x 220-240 V ~	2 poles	2895	2,69	2,20	3,0	19,2
CPE 40/3500 T MCE30/C IE2	3 x 400 V ~	2 poles	2895	2,94	2,20	3,0	7,0

MODEL	A	B	B1	B2	C	D1	D2	D3	D4	H	H1	L	L1	L2	M	DNA	DNM	PACKING DIMENSIONS			VOLUME (m ³)	WEIGHT kg
																		L/A	L/B	H		
CPE 40/2300 M MCE11/C IE2	262	231	118	113	85	88	110	150	4X18	663	95	390	200	190	12	40	40	500	270	810	0,11	49
CPE 40/2300 T MCE30/C IE2	262	231	118	113	85	88	110	150	4X18	663	95	390	200	190	12	40	40	500	270	810	0,11	49
CPE 40/3500 M MCE22/C IE2	262	231	118	113	85	88	110	150	4X18	663	95	390	200	190	12	40	40	500	270	810	0,11	52
CPE 40/3500 T MCE30/C IE2	262	231	118	113	85	88	110	150	4X18	663	95	390	200	190	12	40	40	500	270	810	0,11	52

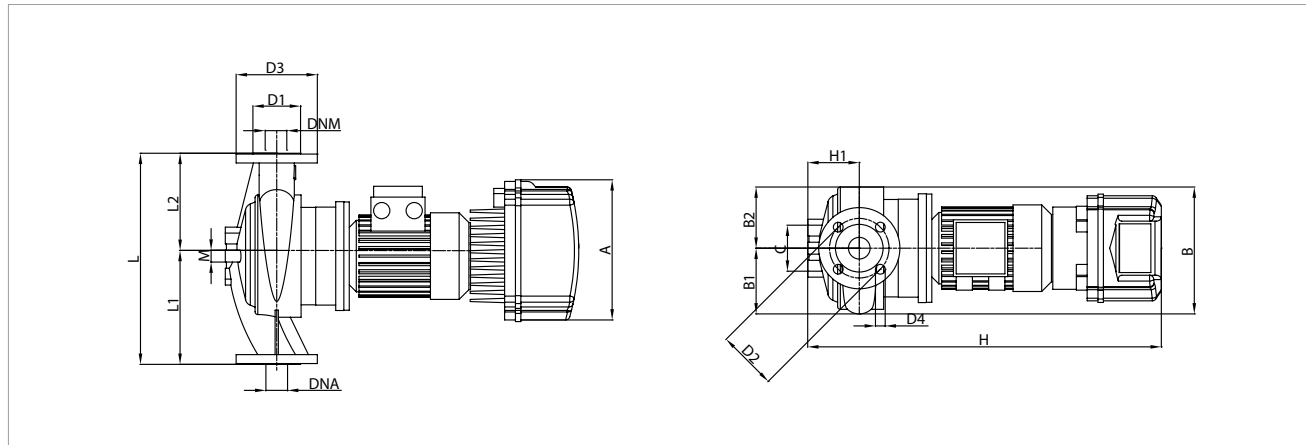
CPE 40 2 POLES - ELECTRONIC IN-LINE PUMPS FOR HEATING, AIR CONDITIONING, REFRIGERATION, SOLAR, AND SANITARY SYSTEMS - SINGLE, FLANGED, WITH MCE/C INVERTER

Pumped liquid temperature range: from -10 °C to +130°C - Maximum ambient temperature: +40°C



The MEI values for inverter controlled pumps refer to similar versions without electronics

The performance curves are based on kinematic viscosity values = 1 mm²/s and density equal to 1000 kg/m³. Curve tolerance according to ISO 9906.

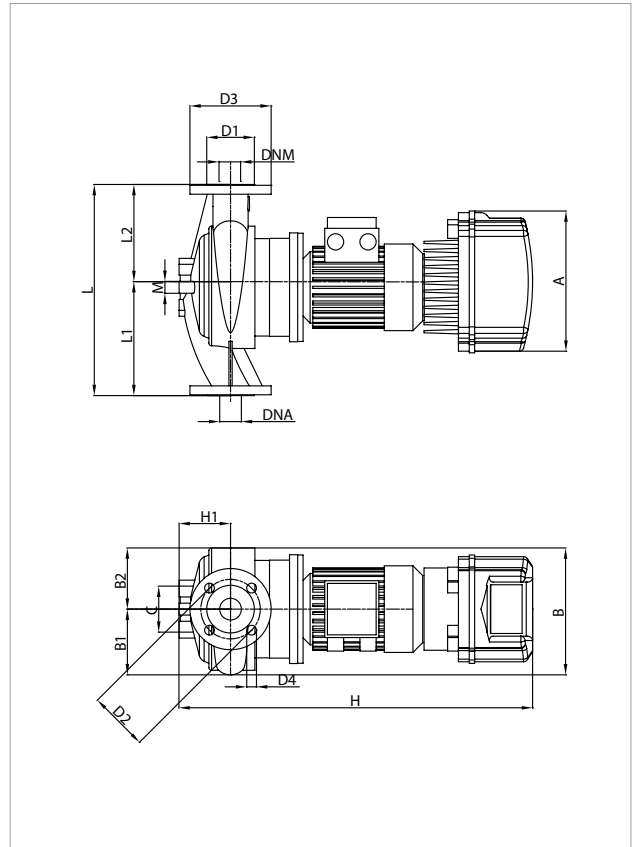
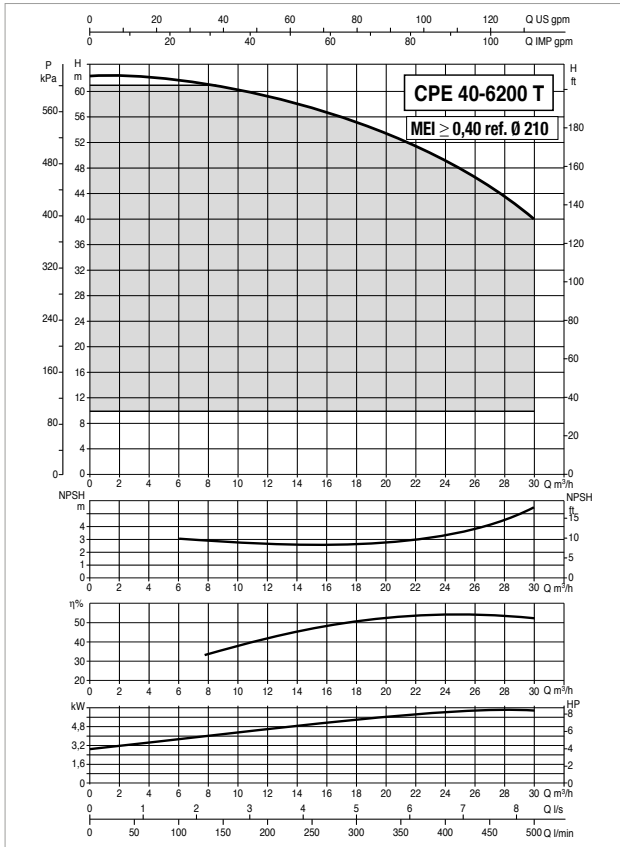


MODEL	ELECTRICAL DATA						
	POWER INPUT 50-60 Hz	MOTOR TYPE	n r.p.m.	P1 MAX W	P2 NOMINAL		In A
					kW	HP	
CPE 40/4700 T MCE55/C IE2	3 x 400 V ~	2 poles	2900	5,11	4,00	5,5	11,1
CPE 40/5500 T MCE55/C IE2	3 x 400 V ~	2 poles	2900	6,90	5,50	7,5	14,2

MODEL	A	B	B1	B2	C	D1	D2	D3	D4	H	H1	L	L1	L2	M	DNA	DNM	PACKING DIMENSIONS			VOLUME (m ³)	WEIGHT kg
																		L/A	L/B	H		
CPE 40/4700 T MCE55/C IE2	353	286	159	127	-	88	110	150	4X18	735	100	380	200	180	-	40	40	650	400	945	0,25	58
CPE 40/5500 T MCE55/C IE2	353	286	159	127	-	88	110	150	4X18	735	100	380	200	180	-	40	40	650	400	945	0,25	63

CPE 40 2 POLI - ELECTRONIC IN-LINE PUMPS FOR HEATING, AIR CONDITIONING, REFRIGERATION, SOLAR, AND SANITARY SYSTEMS - SINGLE, FLANGED, WITH MCE/C INVERTER

Pumped liquid temperature range: from -10 °C to +130°C - Maximum ambient temperature: +40°C



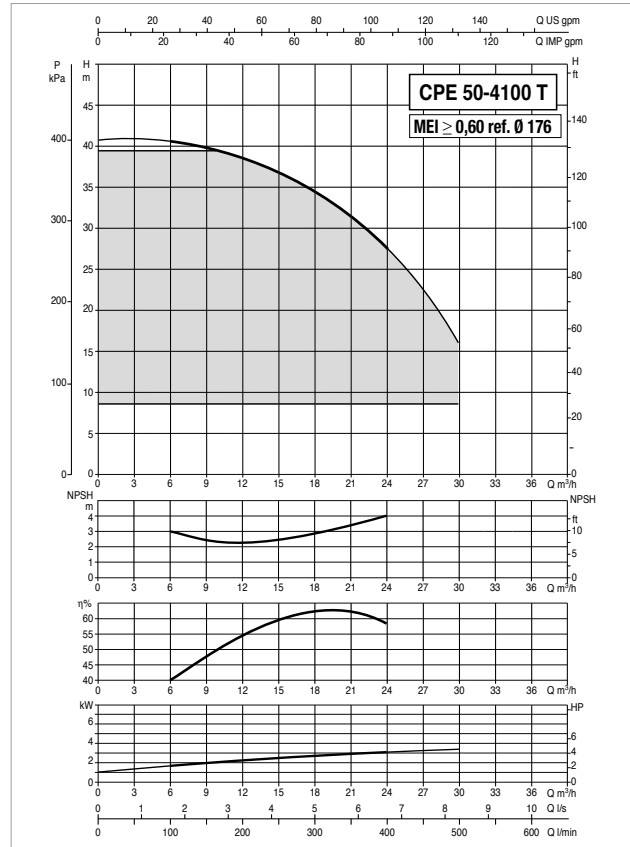
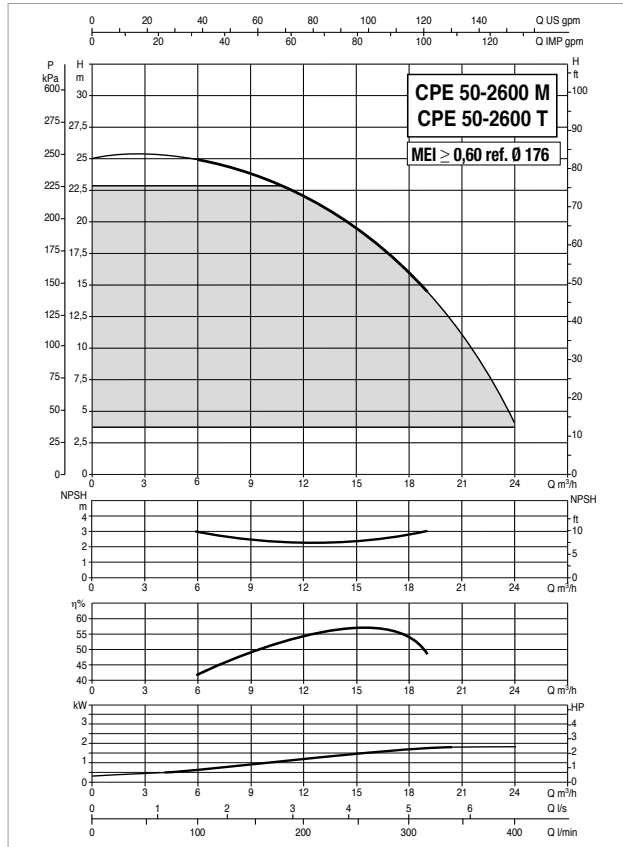
The MEI values for inverter controlled pumps refer to similar versions without electronics
The performance curves are based on kinematic viscosity values = 1 mm²/s and density equal to 1000 kg/m³. Curve tolerance according to ISO 9906.

MODEL	ELECTRICAL DATA						
	POWER INPUT 50-60 Hz	MOTOR TYPE	n r.p.m.	P1 MAX W	P2 NOMINAL		I _n A
					kW	HP	
CPE 40/6200 T MCE110/C IE2	3 x 400 V ~	2 poles	2900	9,64	7,50	10,0	19,9

MODEL	A	B	B1	B2	C	D1	D2	D3	D4	H	H1	L	L1	L2	M	DNA	DNM	PACKING DIMENSIONS			VOLUME (m ³)	WEIGHT kg
																		L/A	L/B	H		
CPE 40/6200 T MCE110/C IE2	426	286	159	127	-	88	110	150	4X18	785	100	380	200	180	-	40	40	650	400	945	0,25	64

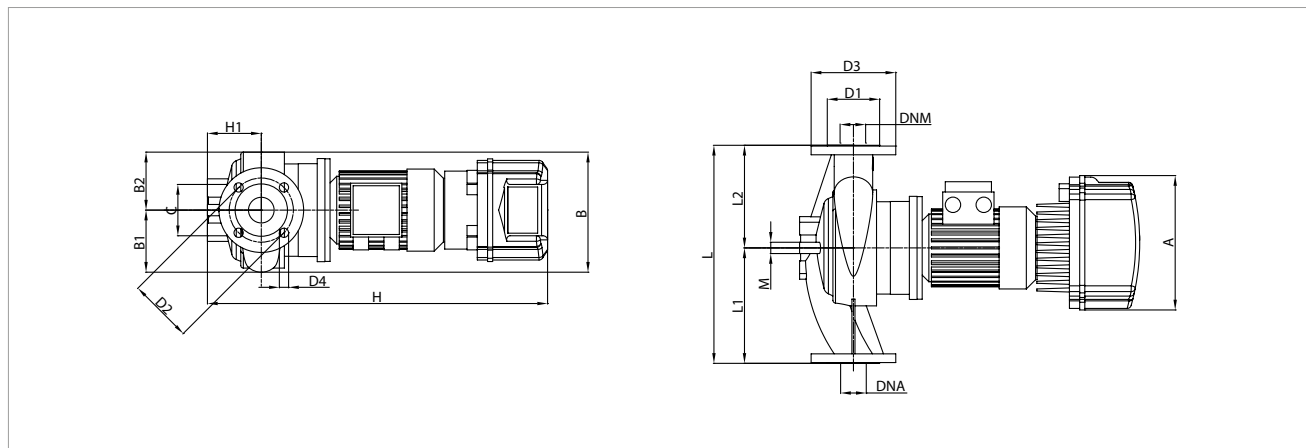
CPE 50 2 POLI - ELECTRONIC IN-LINE PUMPS FOR HEATING, AIR CONDITIONING, REFRIGERATION, SOLAR, AND SANITARY SYSTEMS - SINGLE, FLANGED, WITH MCE/C INVERTER

Pumped liquid temperature range: from -10 °C to +130°C - Maximum ambient temperature: +40°C



The MEI values for inverter controlled pumps refer to similar versions without electronics

The performance curves are based on kinematic viscosity values = 1 mm²/s and density equal to 1000 kg/m³. Curve tolerance according to ISO 9906.

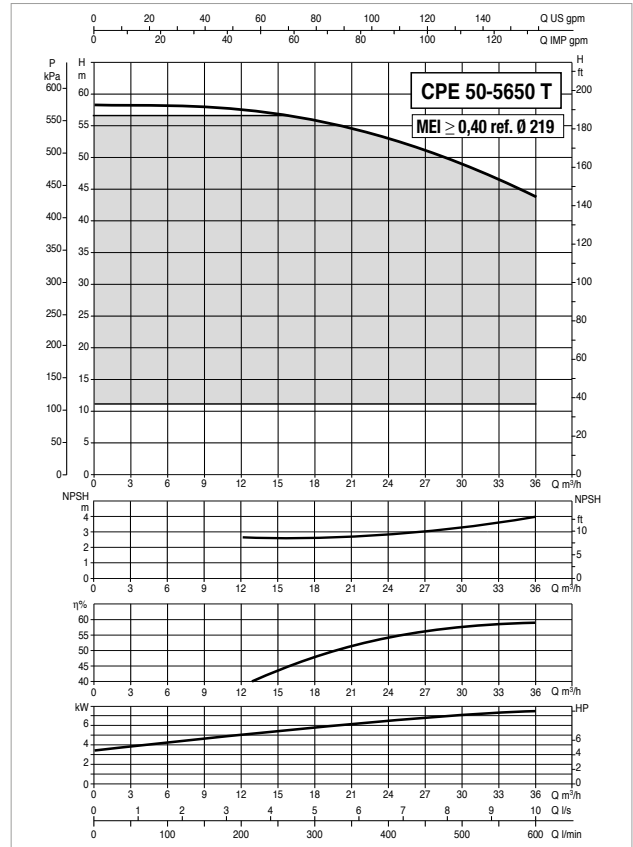
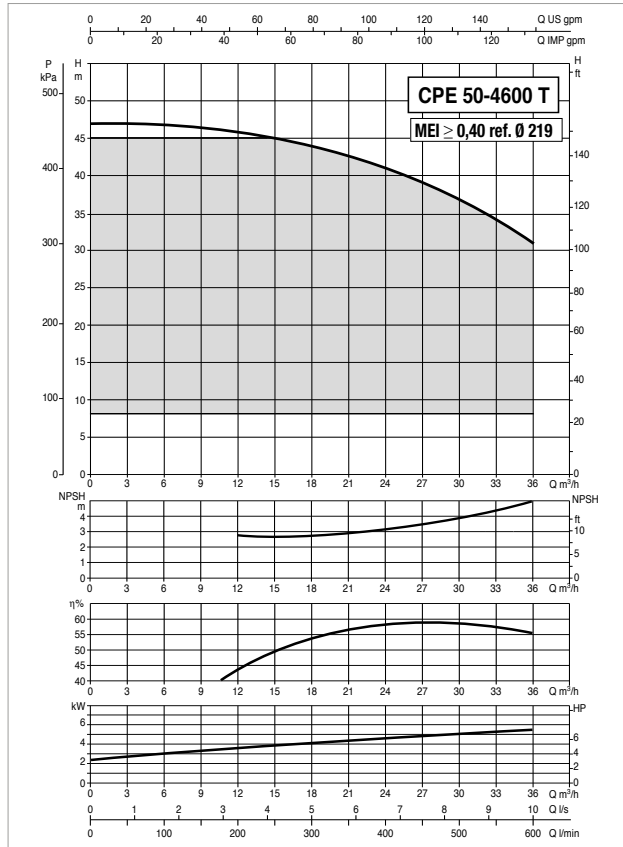


MODEL	ELECTRICAL DATA						
	POWER INPUT 50-60 Hz	MOTOR TYPE	n r.p.m.	P1 MAX W	P2 NOMINAL		In A
					kW	HP	
CPE 50/2600 M MCE15/C IE2	1 x 220-240 V ~	2 poles	2894	1,95	1,50	2,0	14,4
CPE 50/2600 T MCE 30/C IE2	3 x 400 V ~	2 poles	2894	1,95	1,50	2,0	t.b.d.
CPE 50/4100 T MCE30/C IE2	3 x 400 V ~	2 poles	2916	3,91	4,00	5,5	8,4

MODEL	A	B	B1	B2	C	D1	D2	D3	D4	H	H1	L	L1	L2	M	DNA	DNM	PACKING DIMENSIONS			VOLUME (m ³)	WEIGHT kg
																		L/A	L/B	H		
CPE 50/2600 M MCE15/C IE2	262	233	120	113	100	102	125	165	4X18	663	105	425	225	200	12	50	50	500	270	810	0,11	49
CPE 50/2600 T MCE 30/C IE2	262	233	120	113	100	102	125	165	4X18	663	105	425	225	200	12	50	50	500	270	810	0,11	49
CPE 50/4100 T MCE30/C IE2	353	233	120	113	100	102	125	165	4X18	737	105	425	225	200	12	50	50	500	270	810	0,11	62

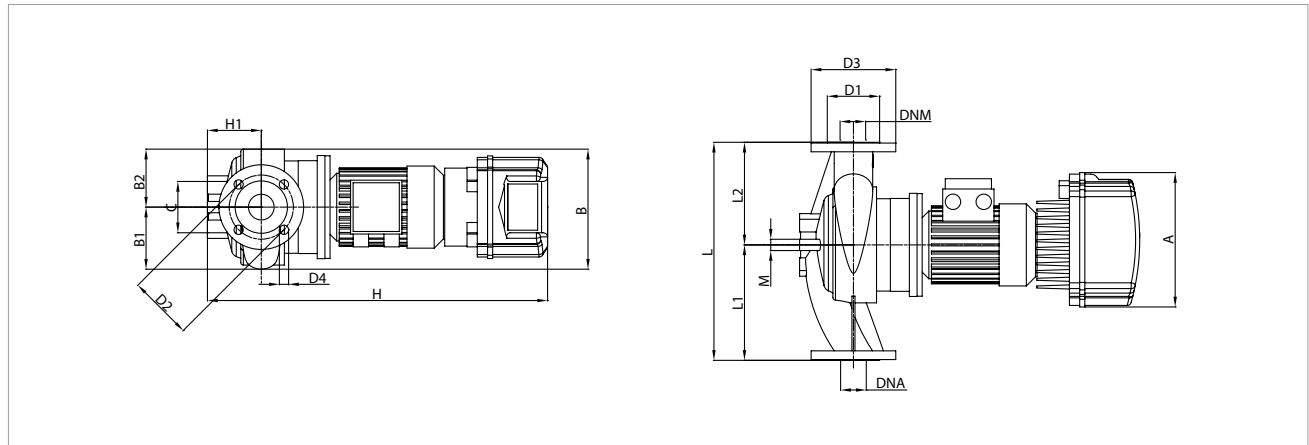
CPE 50 2 POLES - ELECTRONIC IN-LINE PUMPS FOR HEATING, AIR CONDITIONING, REFRIGERATION, SOLAR, AND SANITARY SYSTEMS - SINGLE, FLANGED, WITH MCE/C INVERTER

Pumped liquid temperature range: from -10 °C to +130°C - Maximum ambient temperature: +40°C



The MEI values for inverter controlled pumps refer to similar versions without electronics

The performance curves are based on kinematic viscosity values = 1 mm²/s and density equal to 1000 kg/m³. Curve tolerance according to ISO 9906.

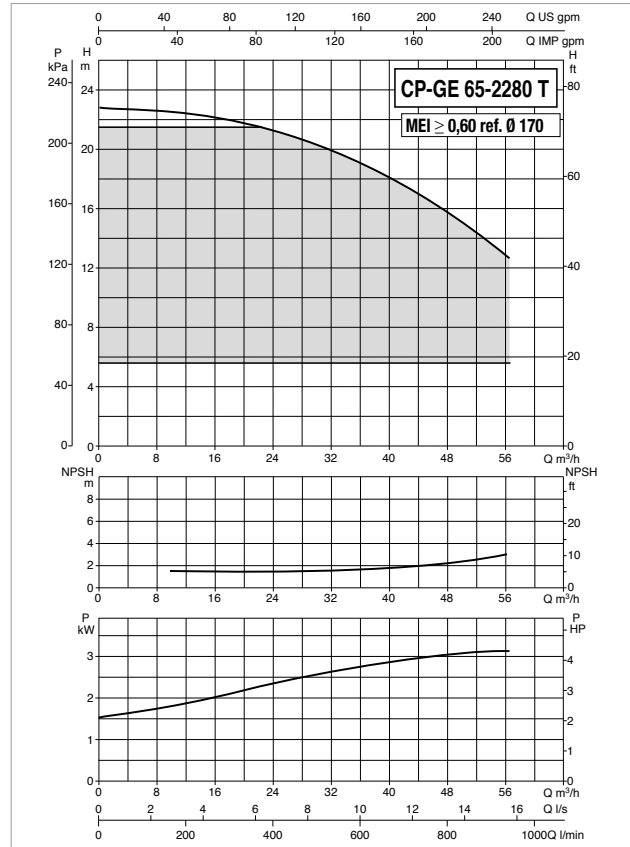
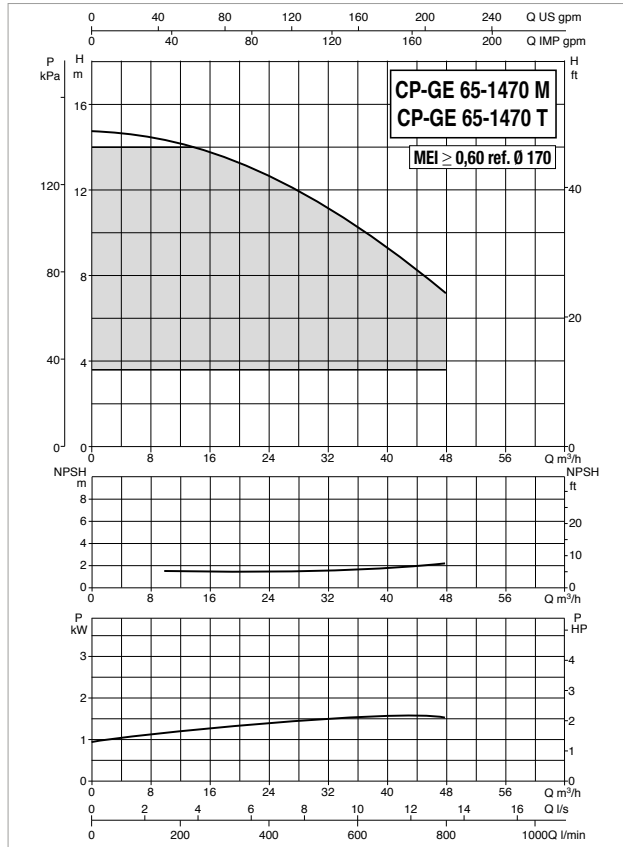


MODEL	ELECTRICAL DATA						
	POWER INPUT 50-60 Hz	MOTOR TYPE	n r.p.m.	P1 MAX W	P2 NOMINAL		In A
					kW	HP	
CPE 50/4600 T MCE55/C IE2	3 x 400 V ~	2 poles	2900	6,90	5,50	7,5	14,2
CPE 50/5650 T MCE110/C IE2	3 x 400 V ~	2 poles	2900	9,64	7,50	10,0	19,9

MODEL	A	B	B1	B2	C	D1	D2	D3	D4	H	H1	L	L1	L2	M	DNA	DNM	PACKING DIMENSIONS			VOLUME (m³)	WEIGHT kg
																		L/A	L/B	H		
CPE 50/4600 T MCE55/C IE2	353	290	159	131	-	102	125	165	4X18	745	105	400	220	180	-	50	50	650	400	945	0,25	64
CPE 50/5650 T MCE110/C IE2	426	341	170,5	170,5	-	102	125	165	4X18	745	105	400	220	180	-	50	50	650	400	945	0,25	72

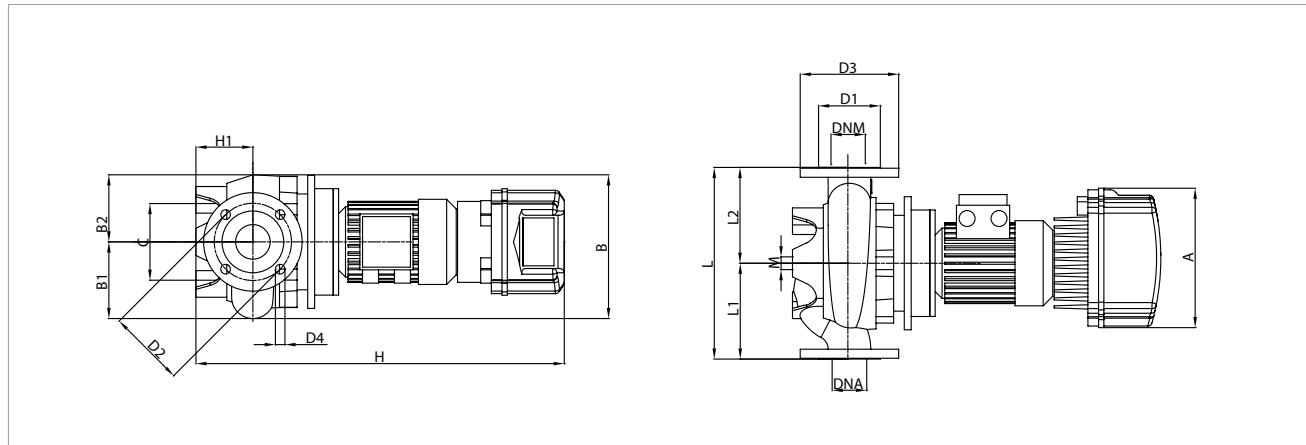
CP-GE 65 2 POLES - , ELECTRONIC IN-LINE PUMPS FOR HEATING, AIR CONDITIONING, REFRIGERATION, SOLAR, AND SANITARY SYSTEMS - SINGLE, FLANGED, WITH MCE/C INVERTER

Pumped liquid temperature range: from -10 °C to +140°C - Maximum ambient temperature: +40°C



The MEI values for inverter controlled pumps refer to similar versions without electronics

The performance curves are based on kinematic viscosity values = 1 mm²/s and density equal to 1000 kg/m³. Curve tolerance according to ISO 9906.

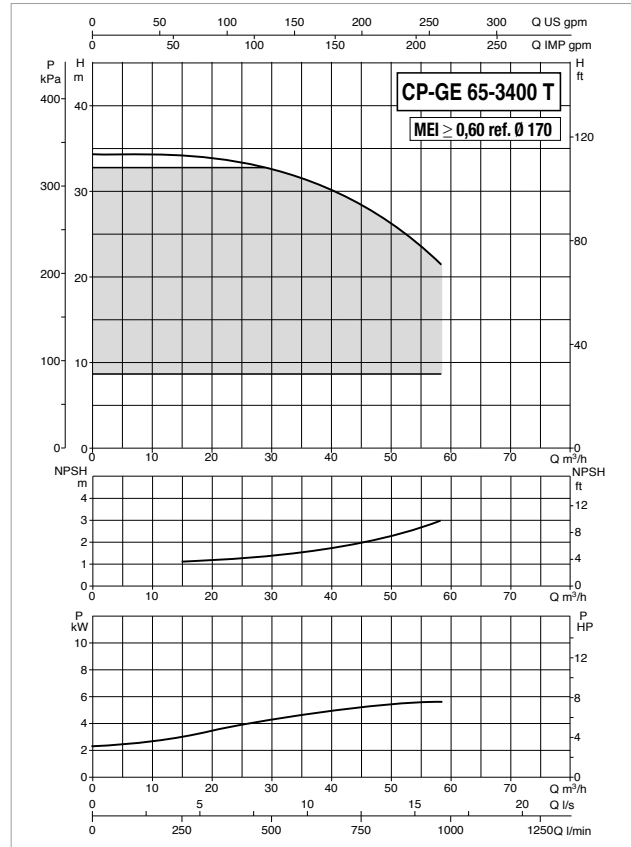
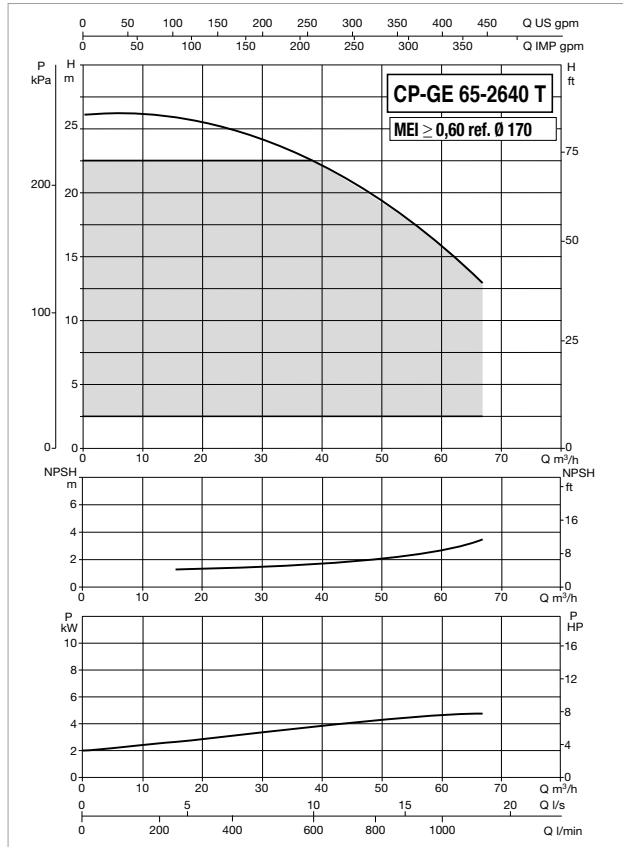


MODEL	ELECTRICAL DATA						
	POWER INPUT 50-60 Hz	MOTOR TYPE	n r.p.m.	P1 MAX W	P2 NOMINAL		In A
					kW	HP	
CP-GE 65-1470/A/BAQE/ 1.5 M MCE11/C IE2	1 x 220-240 V ~	2 poles	2883	1,96	1,5	2,0	14,5
CP-GE 65-1470/A/BAQE/ 1.5 T MCE30/C IE2	3 x 400 V ~	2 poles	2883	1,96	1,5	2,0	t.b.d.
CP-GE 65-2280/A/BAQE/ 3 T MCE30/C IE2	3 x 400 V ~	2 poles	2882	3,55	3	4,0	7,2

MODEL	A	B	B1	B2	C	D1	D2	D3	D4	H	H1	L	L1	L2	M	DNA	DNM	PACKING DIMENSIONS			VOL. (m ³)	WEIGHT kg
																		L/A	L/B	H		
CP-GE 65-1470/A/BAQE/ 1.5 M MCE11/C IE2	262	270	144	126	144	122	145	185	4X18	725	105	360	180	180	16	65	65	650	400	945	0,25	67
CP-GE 65-1470/A/BAQE/ 1.5 T MCE30/C IE2	262	270	144	126	144	122	145	185	4X18	725	105	360	180	180	16	65	65	650	400	945	0,25	67
CP-GE 65-2280/A/BAQE/ 3 T MCE30/C IE2	353	270	144	126	144	122	145	185	4X18	808	105	360	180	180	16	65	65	650	400	945	0,25	88

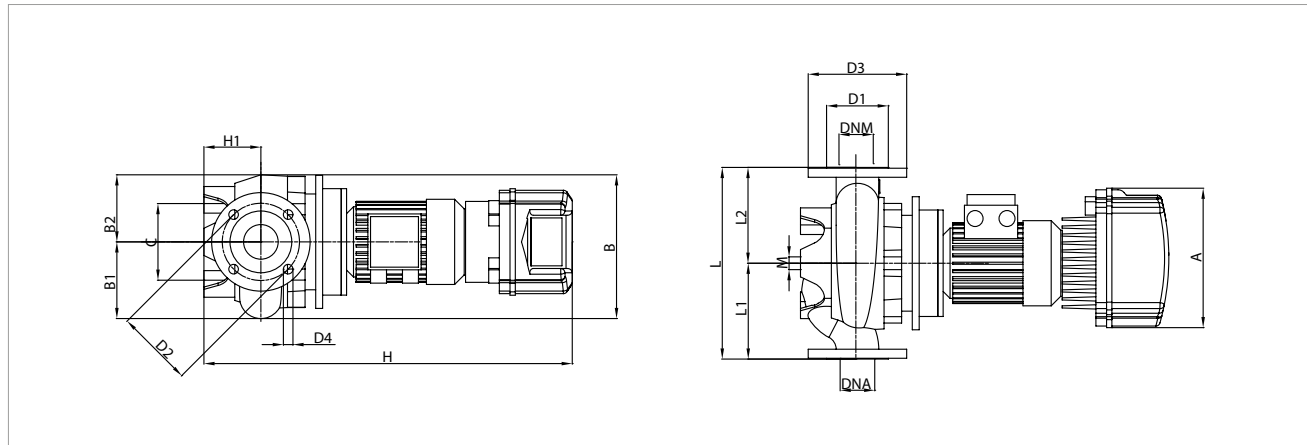
CP-GE 65 2 POLES - , ELECTRONIC IN-LINE PUMPS FOR HEATING, AIR CONDITIONING, REFRIGERATION, SOLAR, AND SANITARY SYSTEMS - SINGLE, FLANGED, WITH MCE/C INVERTER

Pumped liquid temperature range: from -10 °C to +140°C - Maximum ambient temperature: +40°C



The MEI values for inverter controlled pumps refer to similar versions without electronics

The performance curves are based on kinematic viscosity values = 1 mm²/s and density equal to 1000 kg/m³. Curve tolerance according to ISO 9906.



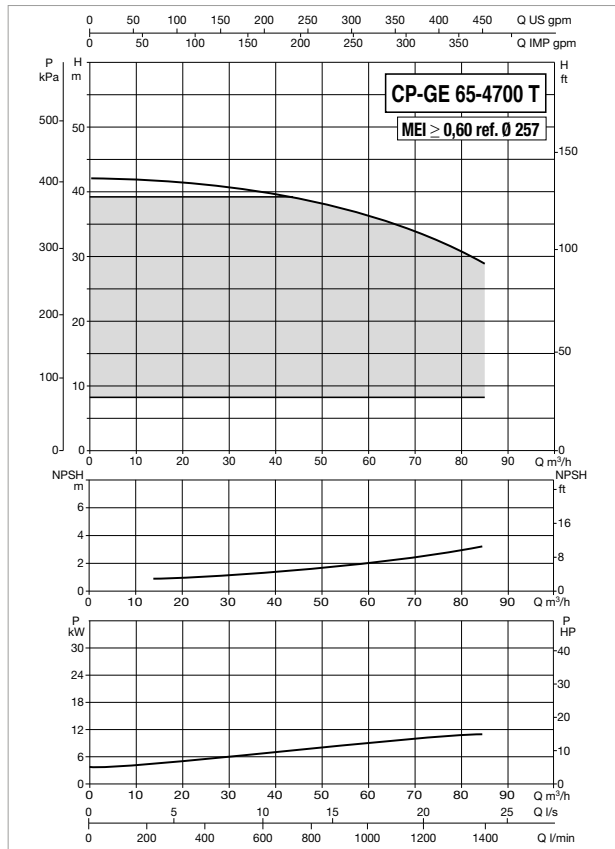
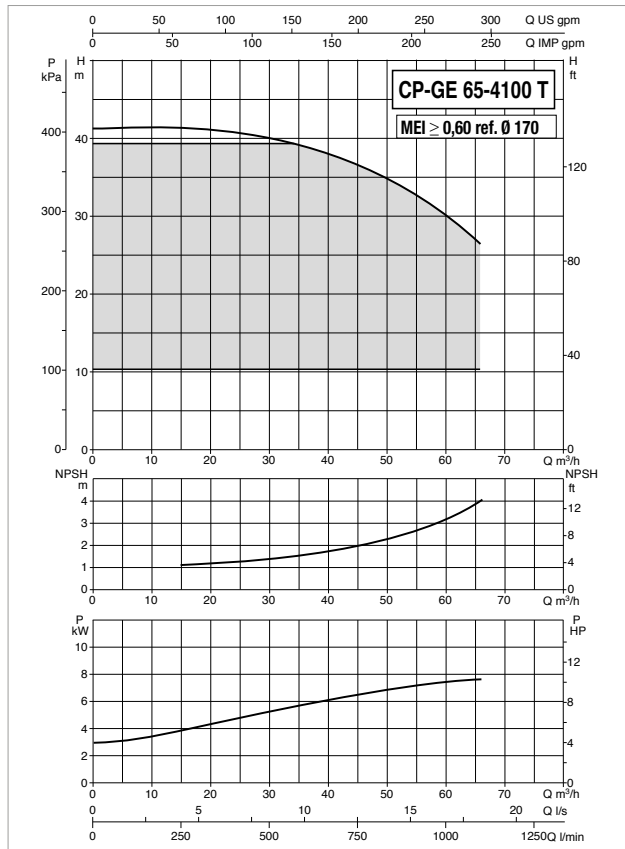
MODEL	ELECTRICAL DATA						
	POWER INPUT 50-60 Hz	MOTOR TYPE	n r.p.m.	P1 MAX W	P2 NOMINAL		In A
					kW	HP	
CP-GE 65-2640/A/BAQE/ 4 T MCE55/C IE2 *	3 x 400 V ~	2 poles	2910	4,92	4	5,5	10,0
CP-GE 65-3400/A/BAQE/ 5.5 T MCE55/C IE2	3 x 400 V ~	2 poles	2913	6,94	5,5	7,7	13,7

* ΔP-v proportional differential pressure adjustment mode also available.

MODEL	A	B	B1	B2	C	D1	D2	D3	D4	H	H1	L	L1	L2	M	DNA	DNM	PACKING DIMENSIONS			VOL. (m³)	WEIGHT kg
																		L/A	L/B	H		
CP-GE 65-2640/A/BAQE/ 4 T MCE55/C IE2	353	270	144	126	144	122	145	185	4X18	808	105	360	180	180	16	65	65	650	400	945	0,25	95
CP-GE 65-3400/A/BAQE/ 5.5 T MCE55/C IE2	353	270	144	126	144	122	145	185	4X18	936	105	360	180	180	16	65	65	650	400	945	0,25	128

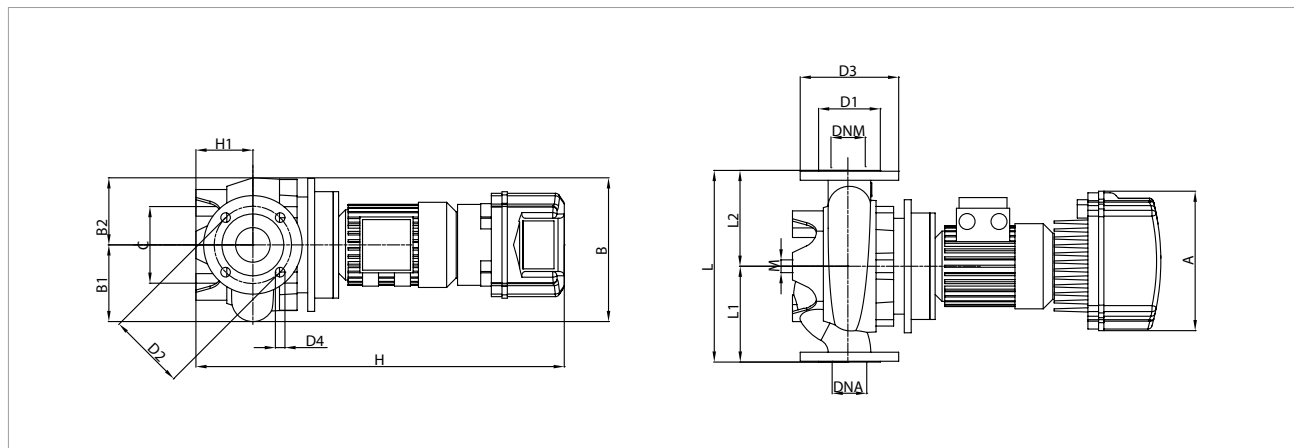
CP-GE 65 2 POLES - ELECTRONIC IN-LINE PUMPS FOR HEATING, AIR CONDITIONING, REFRIGERATION, SOLAR, AND SANITARY SYSTEMS - SINGLE, FLANGED, WITH MCE/C INVERTER

Pumped liquid temperature range: from -10 °C to +140°C - Maximum ambient temperature: +40°C



The MEI values for inverter controlled pumps refer to similar versions without electronics

The performance curves are based on kinematic viscosity values = 1 mm²/s and density equal to 1000 kg/m³. Curve tolerance according to ISO 9906.



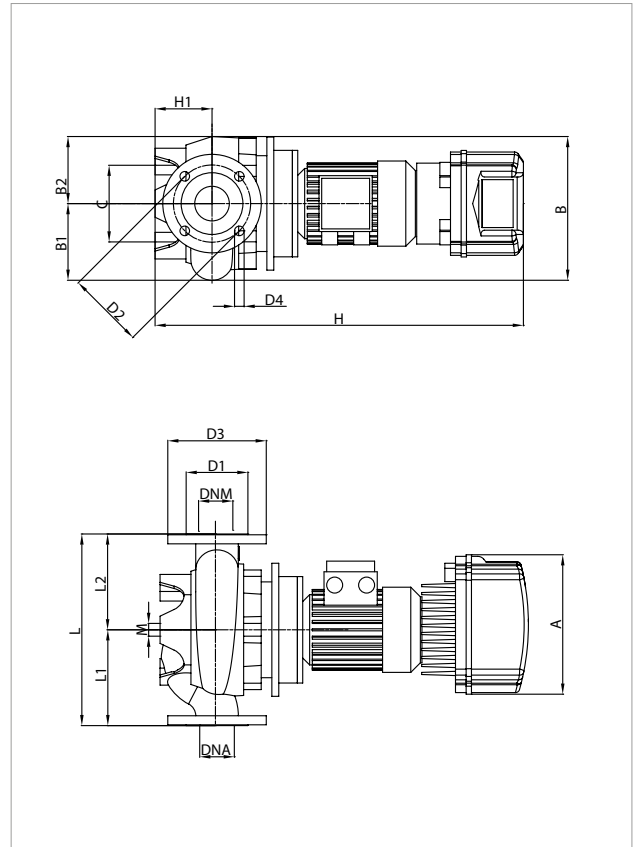
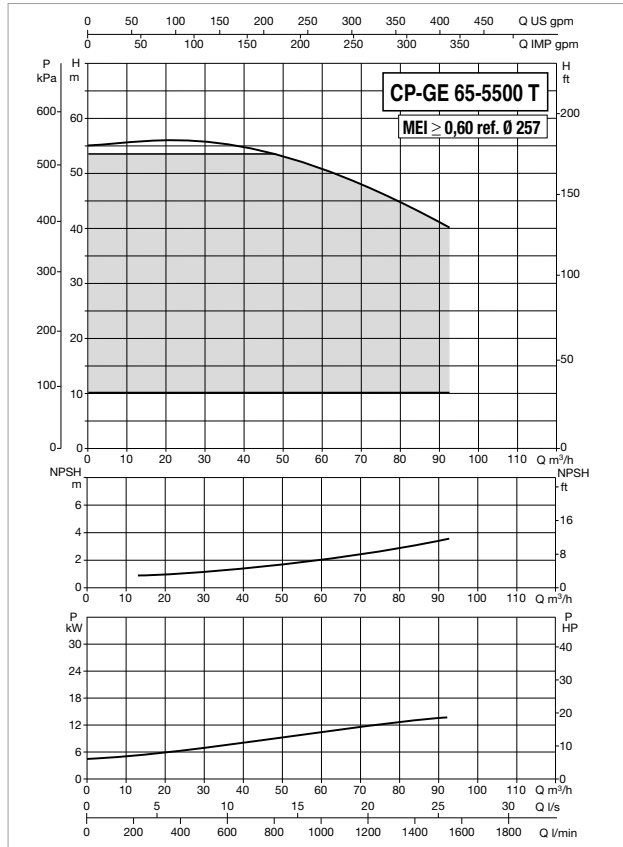
MODEL	ELECTRICAL DATA						
	POWER INPUT 50-60 Hz	MOTOR TYPE	n r.p.m.	P1 MAX W	P2 NOMINAL		In A
					kW	HP	
CP-GE 65-4100/A/BAQE/ 7.5 T MCE110/C IE2 *	3 x 400 V ~	2 poles	2900	9,07	7,5	10,0	17,8
CP-GE 65-4700/A/BAQE/ 11 T MCE110/C IE2	3 x 400 V ~	2 poles	2940	14,75	11	15,0	28,6

* ΔP-v proportional differential pressure adjustment mode also available.

MODEL	A	B	B1	B2	C	D1	D2	D3	D4	H	H1	L	L1	L2	M	DNA	DNM	PACKING DIMENSIONS			VOL. (m ³)	WEIGHT kg
																		L/A	L/B	H		
																		CP-GE 65-4100/A/BAQE/ 7.5 T MCE110/C IE2	426	343		
CP-GE 65-4700/A/BAQE/ 11 T MCE110/C IE2	426	343	180	176	144	122	145	185	4X18	1099	125	475	237,5	237,5	16	65	65	650	400	945	0,25	209

CP-GE 65 2 POLES - ELECTRONIC IN-LINE PUMPS FOR HEATING, AIR CONDITIONING, REFRIGERATION, SOLAR, AND SANITARY SYSTEMS - SINGLE, FLANGED, WITH MCE/C INVERTER

Pumped liquid temperature range: from -10 °C to +140°C - Maximum ambient temperature: +40°C



The MEI values for inverter controlled pumps refer to similar versions without electronics

The performance curves are based on kinematic viscosity values = 1 mm²/s and density equal to 1000 kg/m³. Curve tolerance according to ISO 9906.

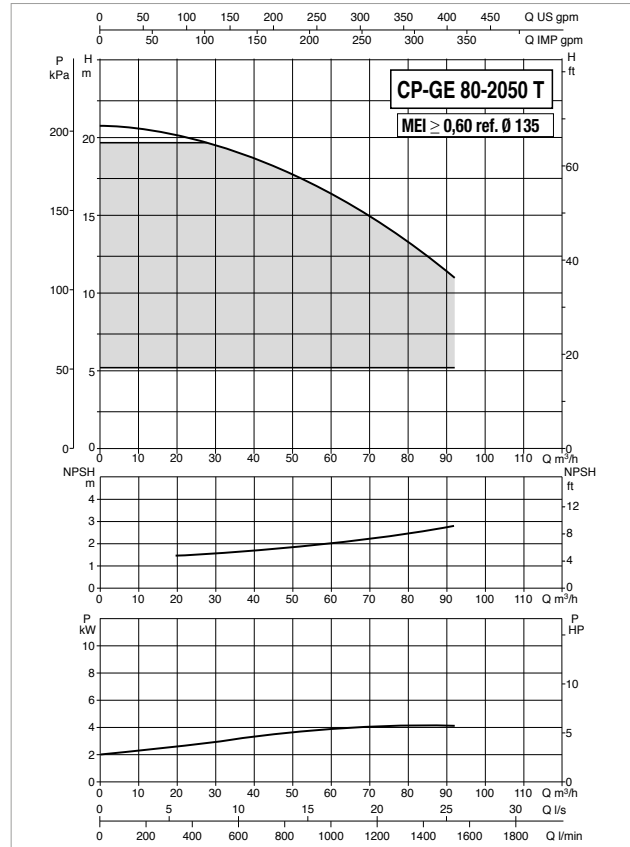
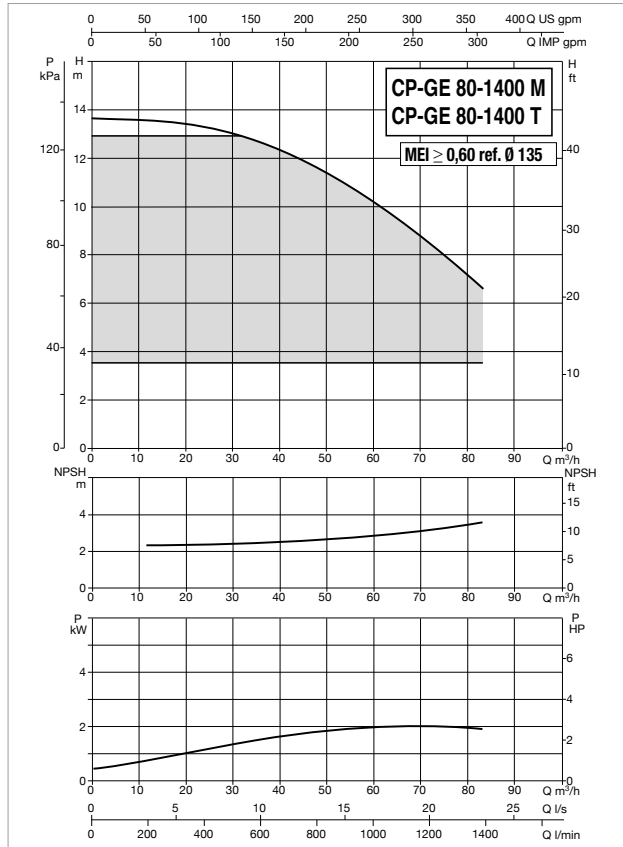
MODEL	ELECTRICAL DATA						
	POWER INPUT 50-60 Hz	MOTOR TYPE	n r.p.m.	P1 MAX W	P2 NOMINAL		In A
					kW	HP	
CP-GE 65-5500/A/BAQE/ 15 T MCE150/C IE2 *	3 x 400 V ~	2 poles	2943	18,07	15	20,0	35,1

* ΔP-v proportional differential pressure adjustment mode also available.

MODEL	A	B	B1	B2	C	D1	D2	D3	D4	H	H1	L	L1	L2	M	DNA	DNM	PACKING DIMENSIONS			VOL. (m ³)	WEIGHT kg
																		L/A	L/B	H		
CP-GE 65-5500/A/BAQE/ 15 T MCE150/C IE2	426	343	180	176	144	122	145	185	4X18	1099	125	475	237,5	237,5	16	65	65	700	600	970	0,41	227

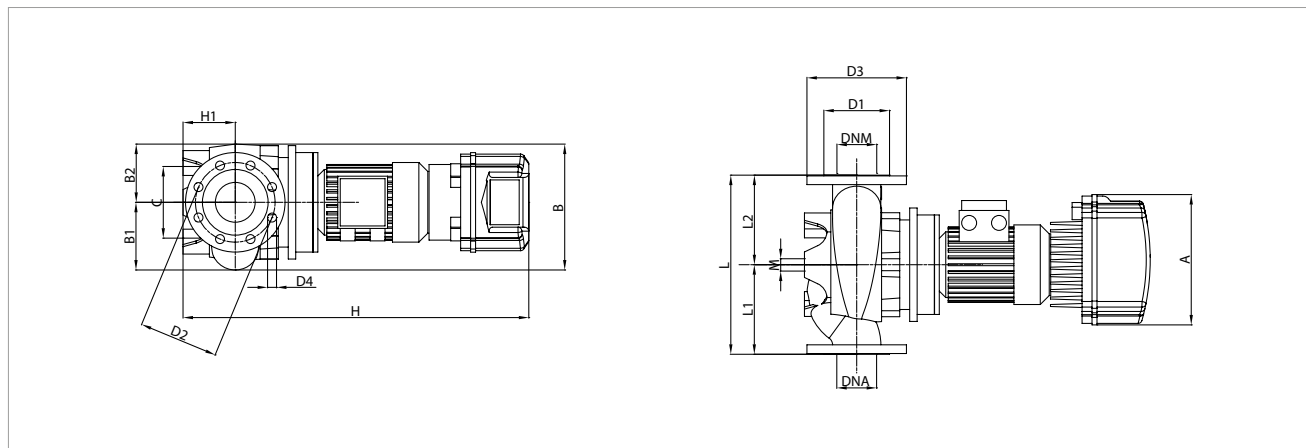
CP-GE 80 2 POLES - , ELECTRONIC IN-LINE PUMPS FOR HEATING, AIR CONDITIONING, REFRIGERATION, SOLAR, AND SANITARY SYSTEMS - SINGLE, FLANGED, WITH MCE/C INVERTER

Pumped liquid temperature range: from -10 °C to +140°C - Maximum ambient temperature: +40°C



The MEI values for inverter controlled pumps refer to similar versions without electronics

The performance curves are based on kinematic viscosity values = 1 mm²/s and density equal to 1000 kg/m³. Curve tolerance according to ISO 9906.

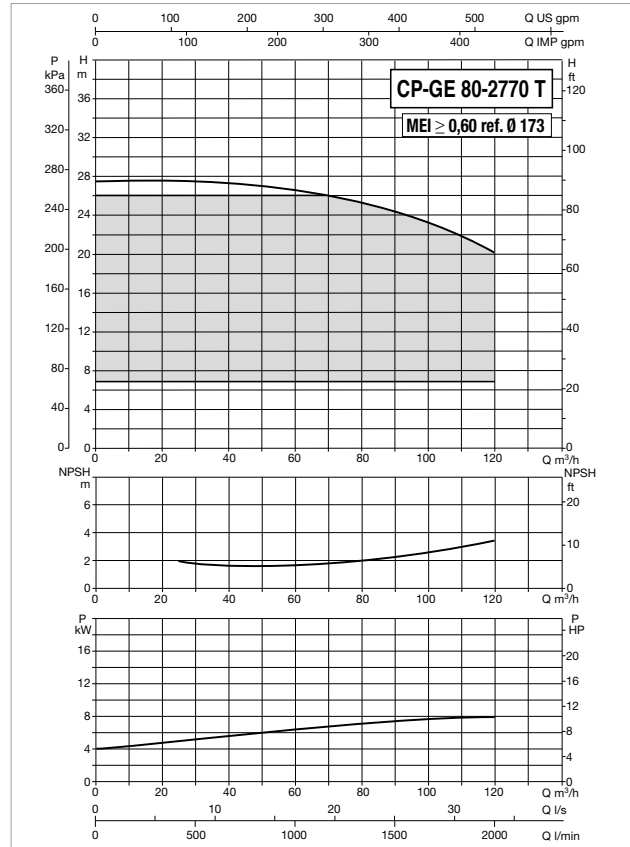
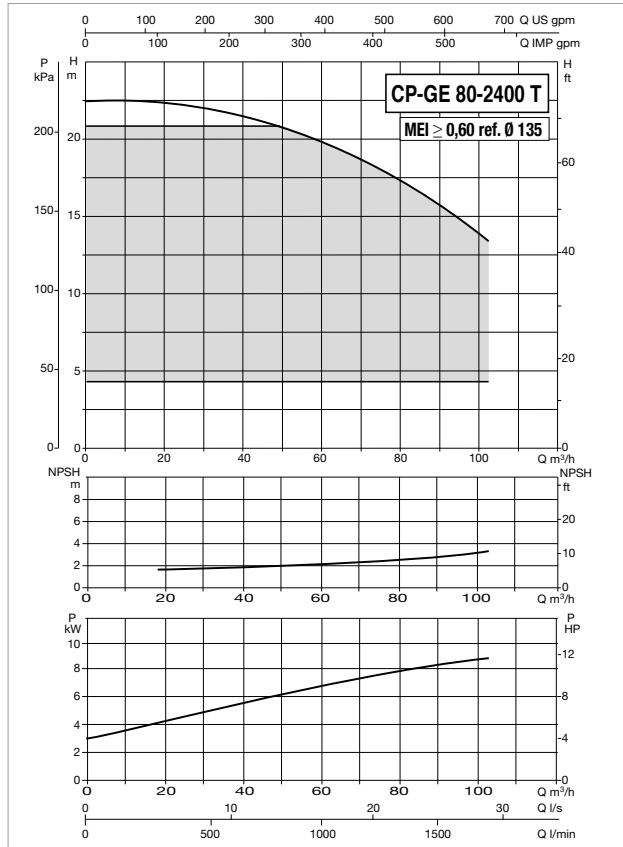


MODEL	ELECTRICAL DATA						
	POWER INPUT 50-60 Hz	MOTOR TYPE	n r.p.m.	P1 MAX W	P2 NOMINAL		In A
					kW	HP	
CP-GE 80-1400/A/BAQE/ 2.2 M MCE22/C IE2	1 x 220-240 V ~	2 poles	2874	2,94	2,2	3,0	20,7
CP-GE 80-1400/A/BAQE/ 2.2 T MCE30/C IE2	3 x 400 V ~	2 poles	2874	2,94	2,2	3,0	t.b.d.
CP-GE 80-2050/A/BAQE/ 4 T MCE55/C IE2	3 x 400 V ~	2 poles	2914	5,46	4	5,5	10,9

MODEL	A	B	B1	B2	C	D1	D2	D3	D4	H	H1	L	L1	L2	M	DNA	DNM	PACKING DIMENSIONS			VOL. (m ³)	WEIGHT kg
																		L/A	L/B	H		
CP-GE 80-1400/A/BAQE/ 2.2 M MCE22/C IE2	262	252	135	117	144	138	160	200	8X18	753	105	360	180	180	16	80	80	650	400	945	0,25	86
CP-GE 80-1400/A/BAQE/ 2.2 T MCE30/C IE2	262	252	135	117	144	138	160	200	8X18	753	105	360	180	180	16	80	80	650	400	945	0,25	86
CP-GE 80-2050/A/BAQE/ 4 T MCE55/C IE2	353	267	135	125	144	138	160	200	8X18	765	105	360	180	180	16	80	80	650	400	945	0,25	99

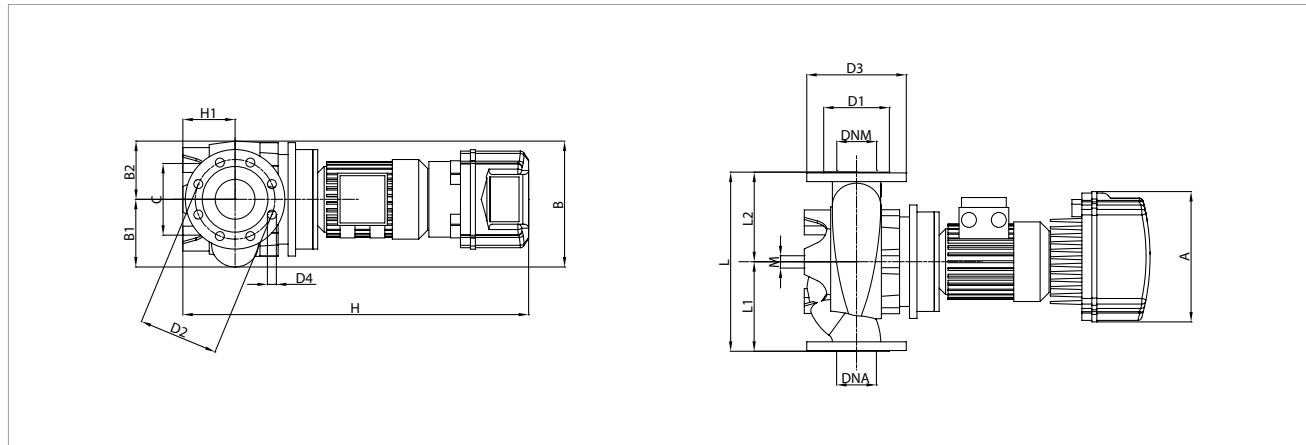
CP-GE 80 2 POLES - ELECTRONIC IN-LINE PUMPS FOR HEATING, AIR CONDITIONING, REFRIGERATION, SOLAR, AND SANITARY SYSTEMS - SINGLE, FLANGED, WITH MCE/C INVERTER

Pumped liquid temperature range: from -10 °C to +140°C - Maximum ambient temperature: +40°C



The MEI values for inverter controlled pumps refer to similar versions without electronics

The performance curves are based on kinematic viscosity values = 1 mm²/s and density equal to 1000 kg/m³. Curve tolerance according to ISO 9906.



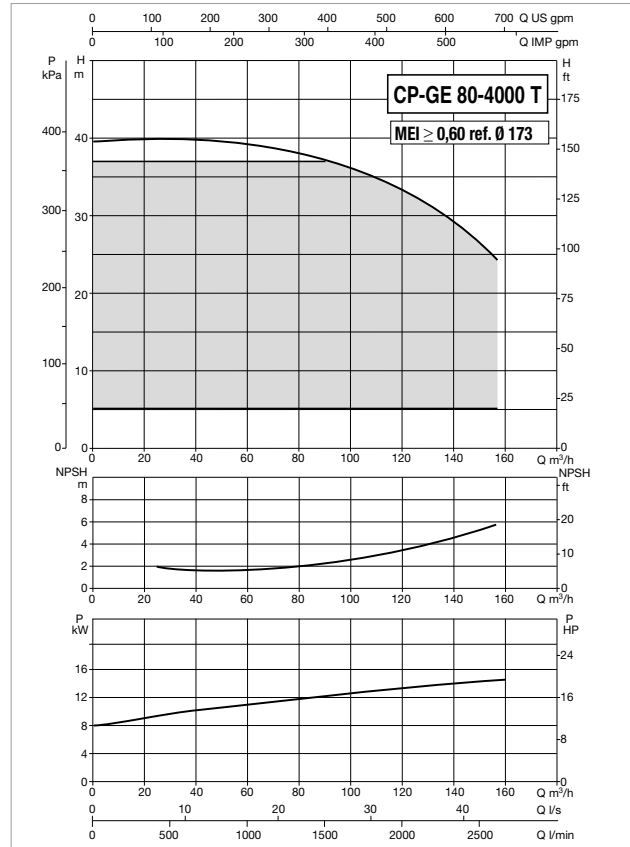
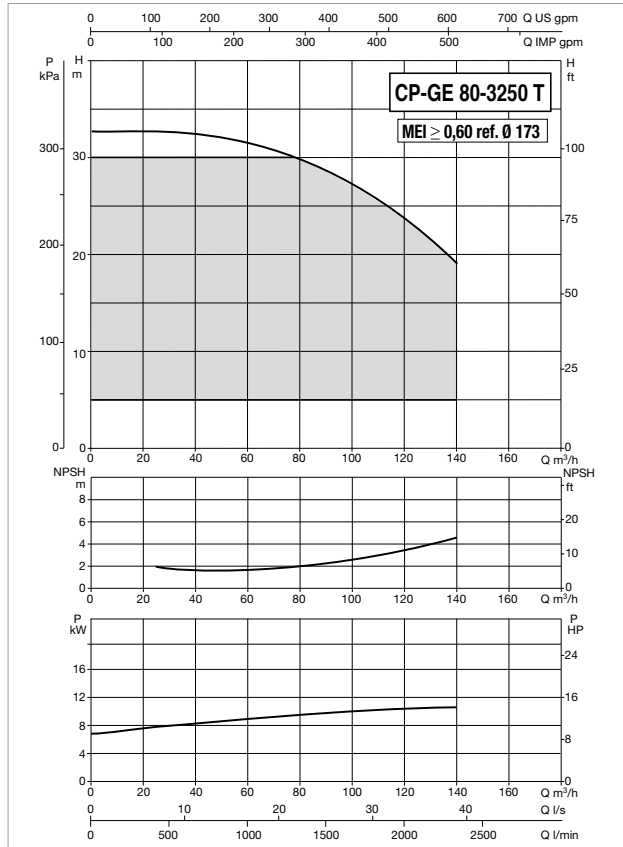
MODEL	ELECTRICAL DATA						
	POWER INPUT 50-60 Hz	MOTOR TYPE	n r.p.m.	P1 MAX W	P2 NOMINAL		In A
					kW	HP	
CP-GE 80-2400/A/BAQE/ 5.5 T MCE55/C IE2 *	3 x 400 V ~	2 poles	2910	6,69	5,5	7,5	13,3
CP-GE 80-2770/A/BAQE/ 7.5 T MCE110/C IE2 *	3 x 400 V ~	2 poles	2905	9,61	7,5	10,0	18,8

* ΔP-v proportional differential pressure adjustment mode also available.

MODEL	A	B	B1	B2	C	D1	D2	D3	D4	H	H1	L	L1	L2	M	DNA	DNM	PACKING DIMENSIONS			VOL. (m ³)	WEIGHT kg
																		L/A	L/B	H		
CP-GE 80-2400/A/BAQE/ 5.5 T MCE55/C IE2	353	267	135	151	144	138	160	200	8X18	873	105	360	180	180	16	80	80	650	400	945	0,25	133
CP-GE 80-2770/A/BAQE/ 7.5 T MCE110/C IE2	426	341	178	151	144	138	160	200	8X18	1038	115	440	220	220	16	80	80	650	400	945	0,25	88

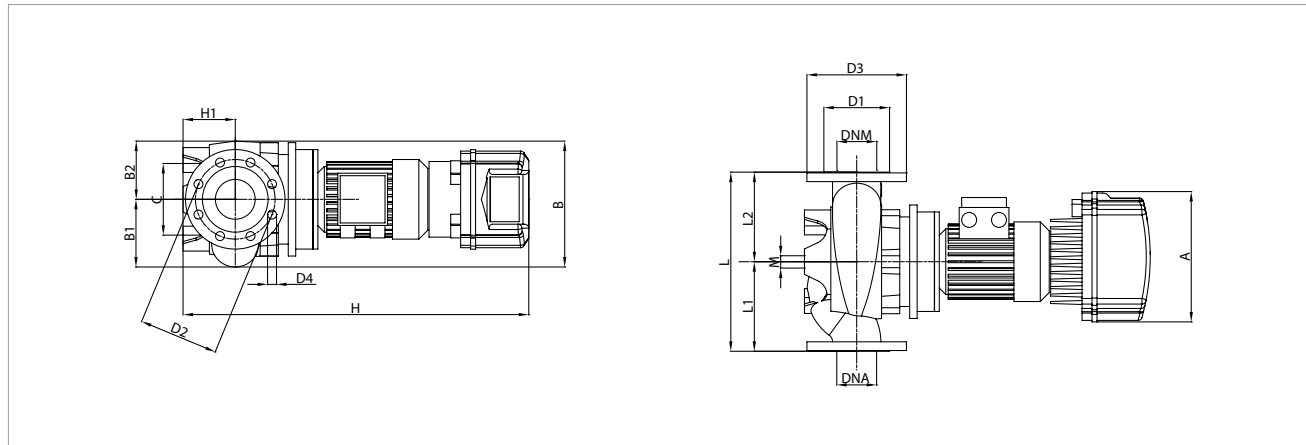
CP-GE 80 2 POLES - ELECTRONIC IN-LINE PUMPS FOR HEATING, AIR CONDITIONING, REFRIGERATION, SOLAR AND SANITARY SYSTEMS - SINGLE, FLANGED, WITH MCE/C INVERTER

Pumped liquid temperature range: from -10 °C to +140°C - Maximum ambient temperature: +40°C



The MEI values for inverter controlled pumps refer to similar versions without electronics

The performance curves are based on kinematic viscosity values = 1 mm²/s and density equal to 1000 kg/m³. Curve tolerance according to ISO 9906.

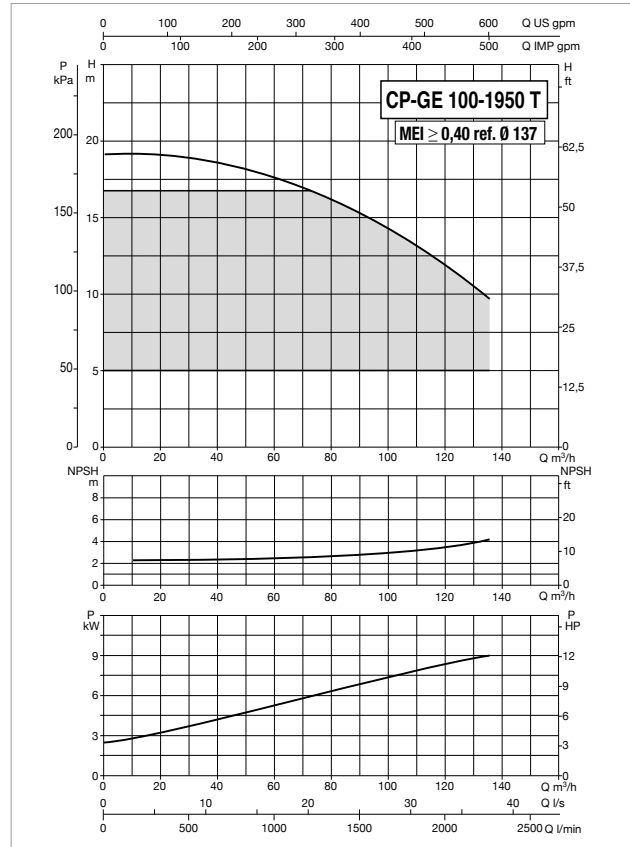
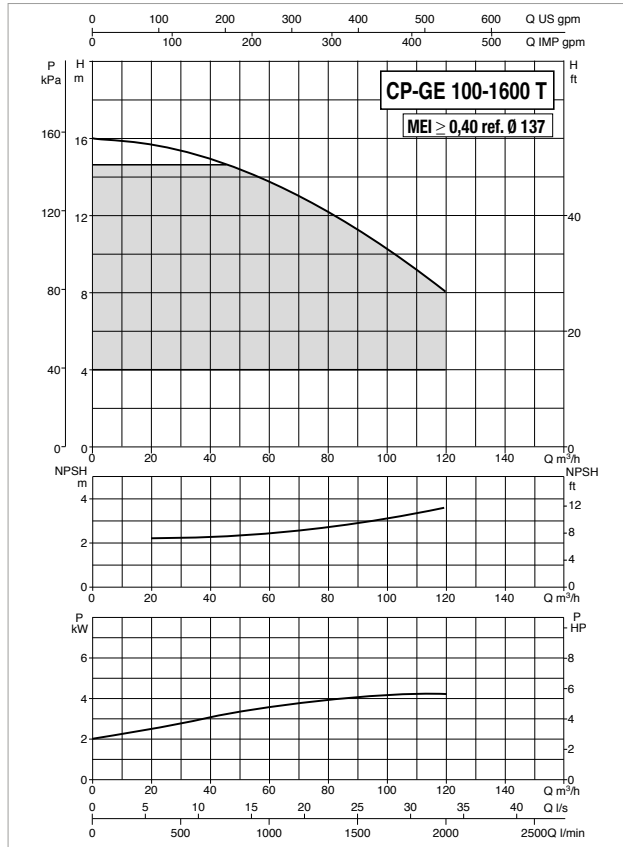


MODEL	ELECTRICAL DATA						
	POWER INPUT 50-60 Hz	MOTOR TYPE	n r.p.m.	P1 MAX W	P2 NOMINAL		In A
					kW	HP	
CP-GE 80-3250/A/BAQE/ 11 T MCE110/C IE2	3 x 400 V ~	2 poles	2932	13,39	11	15,0	26,0
CP-GE 80-4000/A/BAQE/ 15 T MCE150/C IE2	3 x 400 V ~	2 poles	2945	18,42	15	20,0	35,7

MODEL	A	B	B1	B2	C	D1	D2	D3	D4	H	H1	L	L1	L2	M	DNA	DNM	PACKING DIMENSIONS			VOL. (m ³)	WEIGHT kg
																		L/A	L/B	H		
																		CP-GE 80-3250/A/BAQE/ 11 T MCE110/C IE2	426	341		
CP-GE 80-4000/A/BAQE/ 15 T MCE150/C IE2	426	341	178	176	144	138	160	200	8X18	1100	115	440	220	220	16	80	80	650	400	945	0,25	103

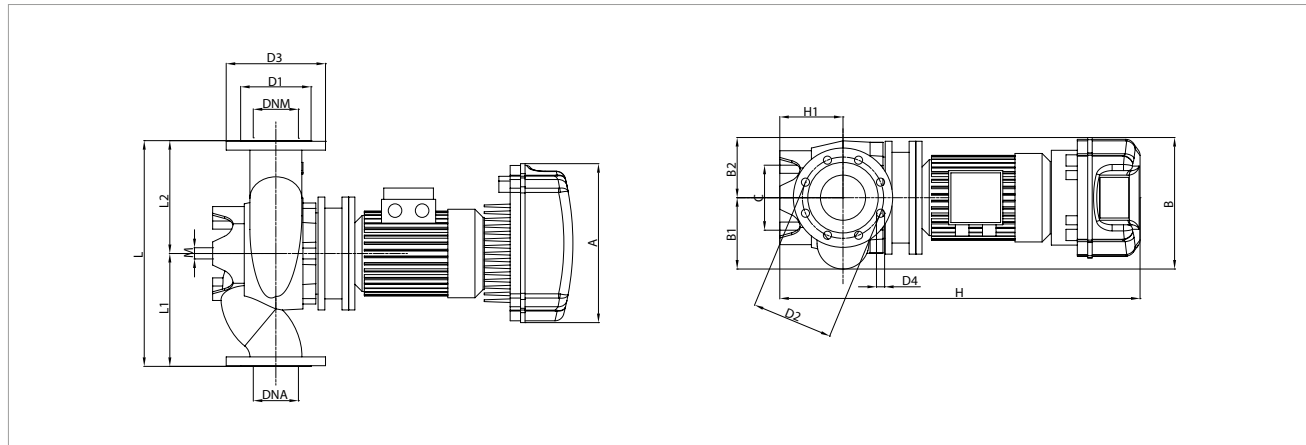
CP-GE 100 2 POLES - , ELECTRONIC IN-LINE PUMPS FOR HEATING, AIR CONDITIONING, REFRIGERATION, SOLAR, AND SANITARY SYSTEMS - SINGLE, FLANGED, WITH MCE/C INVERTER

Pumped liquid temperature range: from -10 °C to +140°C - Maximum ambient temperature: +40°C



The MEI values for inverter controlled pumps refer to similar versions without electronics

The performance curves are based on kinematic viscosity values = 1 mm²/s and density equal to 1000 kg/m³. Curve tolerance according to ISO 9906.

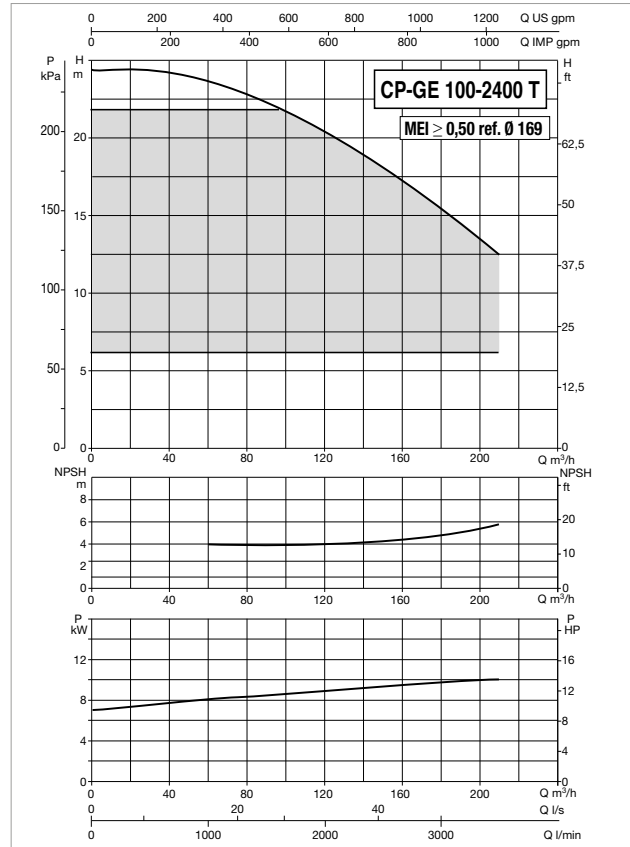
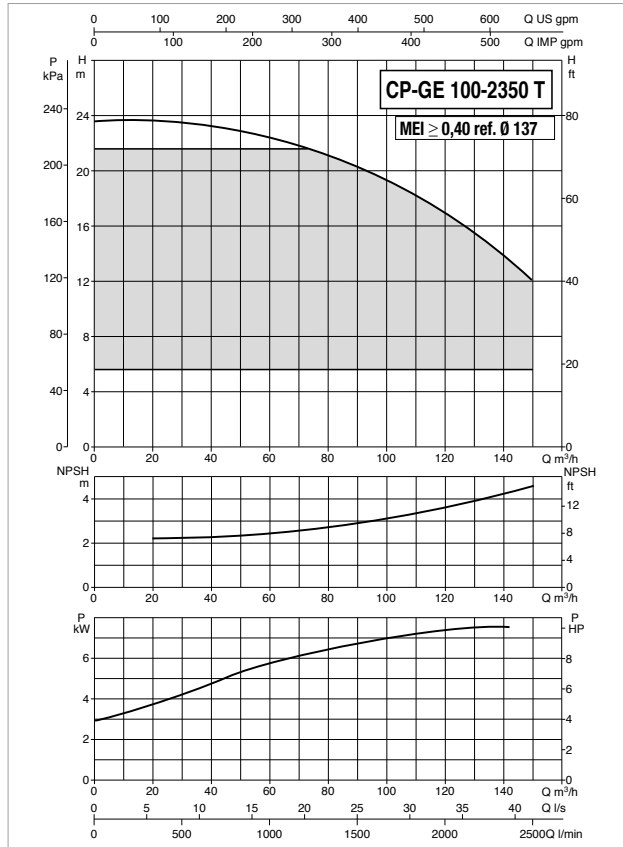


MODEL	ELECTRICAL DATA						
	POWER INPUT 50-60 Hz	MOTOR TYPE	n r.p.m.	P1 MAX W	P2 NOMINAL		In A
					kW	HP	
CP-GE 100-1600/A/BAQE/ 4 T MCE55/C IE2	3 x 400 V ~	2 poles	2918	5,58	4	5,5	11,2
CP-GE 100-1950/A/BAQE/ 5.5 T MCE55/C IE2	3 x 400 V ~	2 poles	2918	7,34	5,5	7,5	14,4

MODEL	A	B	B1	B2	C	D1	D2	D3	D4	H	H1	L	L1	L2	M	DNA	DNM	PACKING DIMENSIONS			VOL. (m ³)	WEIGHT kg
																		L/A	L/B	H		
																		CP-GE 100-1600/A/BAQE/ 4 T MCE55/C IE2	353	341		
CP-GE 100-1950/A/BAQE/ 5.5 T MCE55/C IE2	353	341	158	150	144	158	180	220	8x18	1026	140	500	250	250	16	100	100	650	400	945	0,25	92

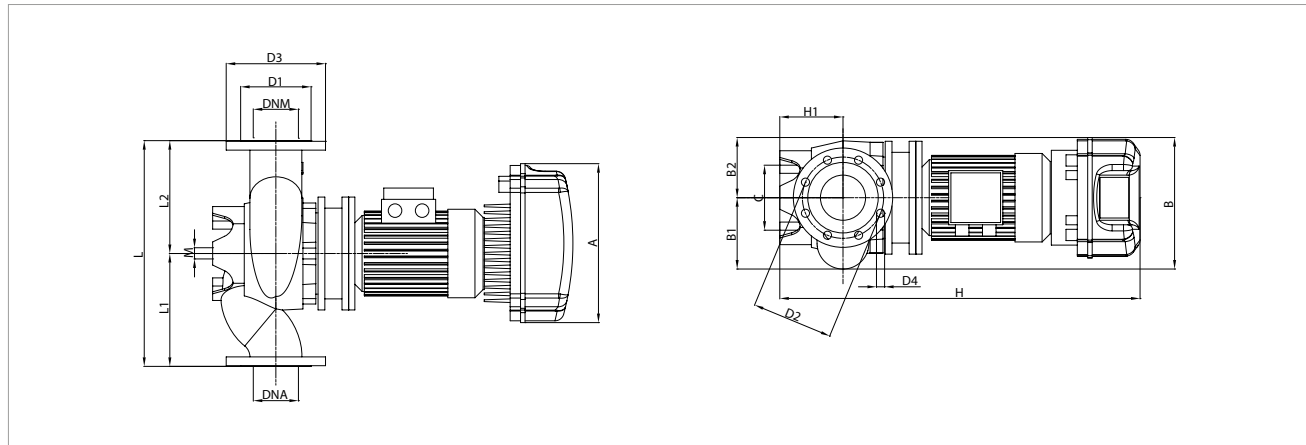
CP-GE 100 2 POLES - , ELECTRONIC IN-LINE PUMPS FOR HEATING, AIR CONDITIONING, REFRIGERATION, SOLAR, AND SANITARY SYSTEMS - SINGLE, FLANGED, WITH MCE/C INVERTER

Pumped liquid temperature range: from -10 °C to +140°C - Maximum ambient temperature: +40°C



The MEI values for inverter controlled pumps refer to similar versions without electronics

The performance curves are based on kinematic viscosity values = 1 mm²/s and density equal to 1000 kg/m³. Curve tolerance according to ISO 9906.



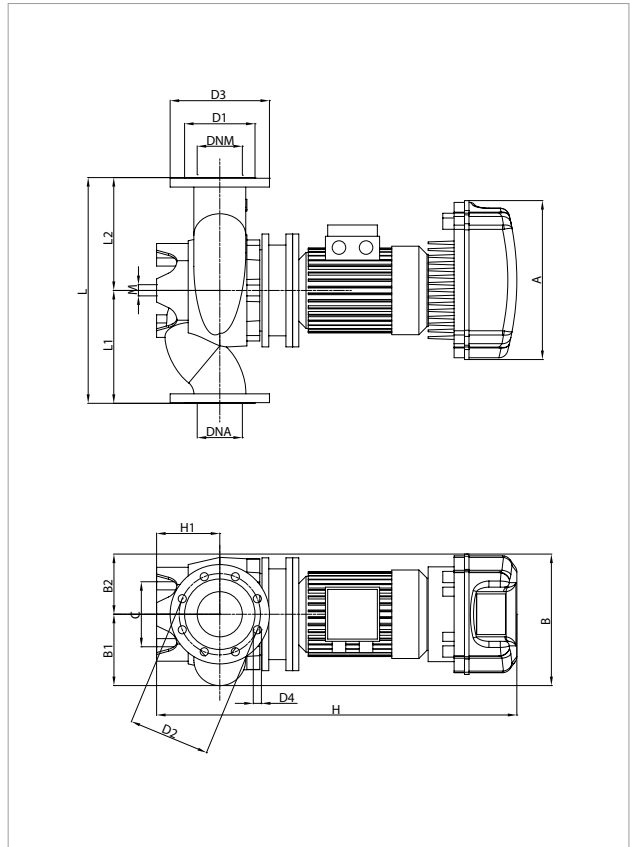
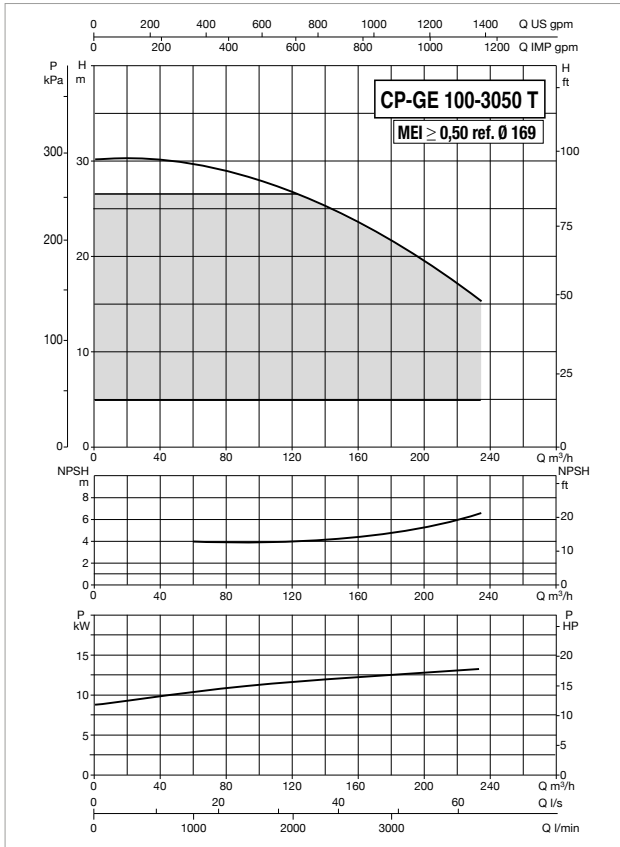
MODEL	ELECTRICAL DATA						
	POWER INPUT 50-60 Hz	MOTOR TYPE	n r.p.m.	P1 MAX W	P2 NOMINAL		In A
					kW	HP	
CP-GE 100-2350/A/BAQE/ 7.5 T MCE110/C IE2 *	3 x 400 V ~	2 poles	2906	9,69	7,5	10,0	18,9
CP-GE 100-2400/A/BAQE/ 11 T MCE110/C IE2	3 x 400 V ~	2 poles	2940	14,59	11	15,0	28,3

* ΔP-v proportional differential pressure adjustment mode also available.

MODEL	A	B	B1	B2	C	D1	D2	D3	D4	H	H1	L	L1	L2	M	DNA	DNM	PACKING DIMENSIONS			VOL. (m ³)	WEIGHT kg
																		L/A	L/B	H		
																		CP-GE 100-2350/A/BAQE/ 7.5 T MCE110/C IE2	426	341		
CP-GE 100-2400/A/BAQE/ 11 T MCE110/C IE2	426	346	193	153	230	158	180	220	8x18	1092	140	550	275	275	16	100	100	700	600	970	0,41	120

CP-GE 100 2 POLES - , ELECTRONIC IN-LINE PUMPS FOR HEATING, AIR CONDITIONING, REFRIGERATION, SOLAR, AND SANITARY SYSTEMS - SINGLE, FLANGED, WITH MCE/C INVERTER

Pumped liquid temperature range: from -10 °C to +140°C - Maximum ambient temperature: +40°C



The MEI values for inverter controlled pumps refer to similar versions without electronics

The performance curves are based on kinematic viscosity values = 1 mm²/s and density equal to 1000 kg/m³. Curve tolerance according to ISO 9906.

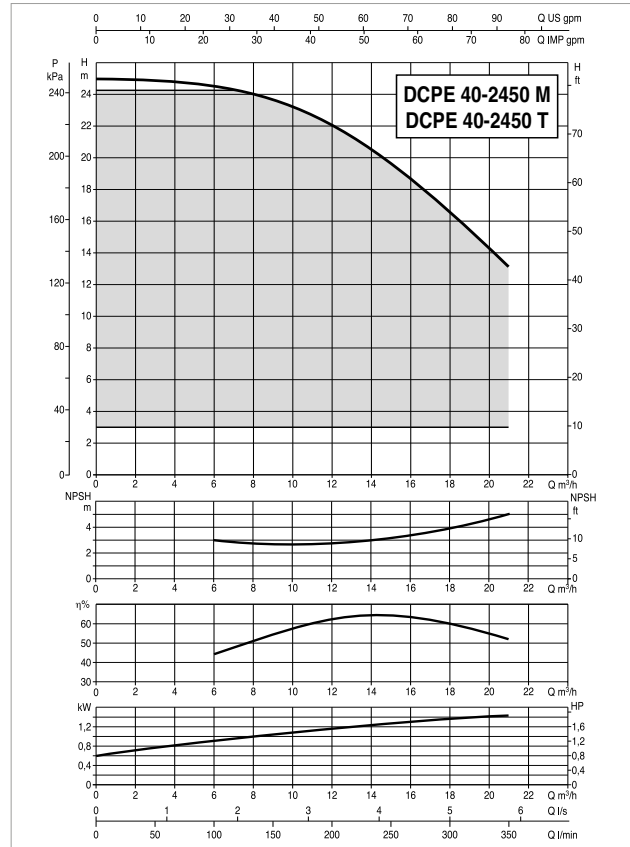
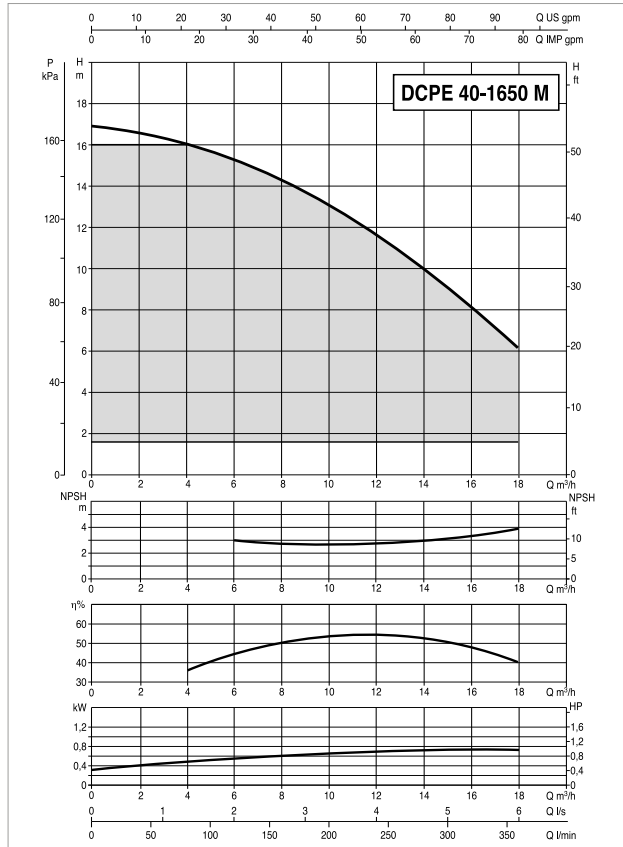
MODEL	ELECTRICAL DATA						
	POWER INPUT 50-60 Hz	MOTOR TYPE	n r.p.m.	P1 MAX W	P2 NOMINAL		In A
					kW	HP	
CP-GE 100-3050/A/BAQE/ 15 T MCE150/C IE2 *	3 x 400 V ~	2 poles	2941	17,79	15	20,0	34,6

* ΔP-v proportional differential pressure adjustment mode also available.

MODEL	A	B	B1	B2	C	D1	D2	D3	D4	H	H1	L	L1	L2	M	DNA	DNM	PACKING DIMENSIONS			VOL. (m ³)	WEIGHT kg
																		L/A	L/B	H		
CP-GE 100-3050/A/BAQE/ 15 T MCE150/C IE2	426	346	193	153	230	158	180	220	8x18	1092	140	550	275	275	16	100	100	700	600	970	0,41	159

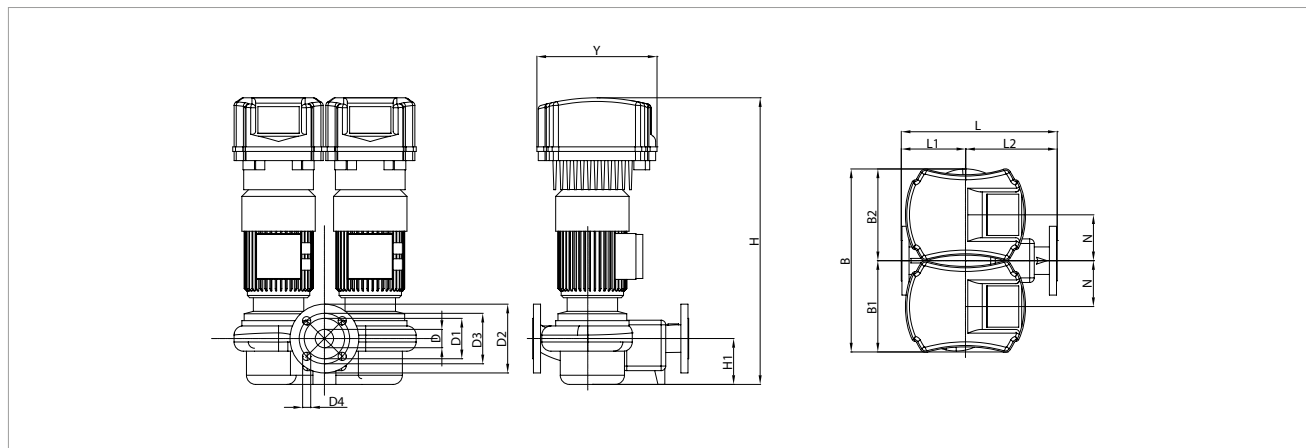
DCPE 40 2 POLES - ELECTRONIC IN-LINE PUMPS FOR HEATING, AIR CONDITIONING, REFRIGERATION, SOLAR, AND SANITARY SYSTEMS - TWIN, FLANGED, WITH MCE/C INVERTER

Pumped liquid temperature range: from -10 °C to +130°C - Maximum ambient temperature: +40°C



For the MEI index refer to the hydraulic data of the individual pump.

The performance curves are based on kinematic viscosity values = 1 mm²/s and density equal to 1000 kg/m³. Curve tolerance according to ISO 9906.

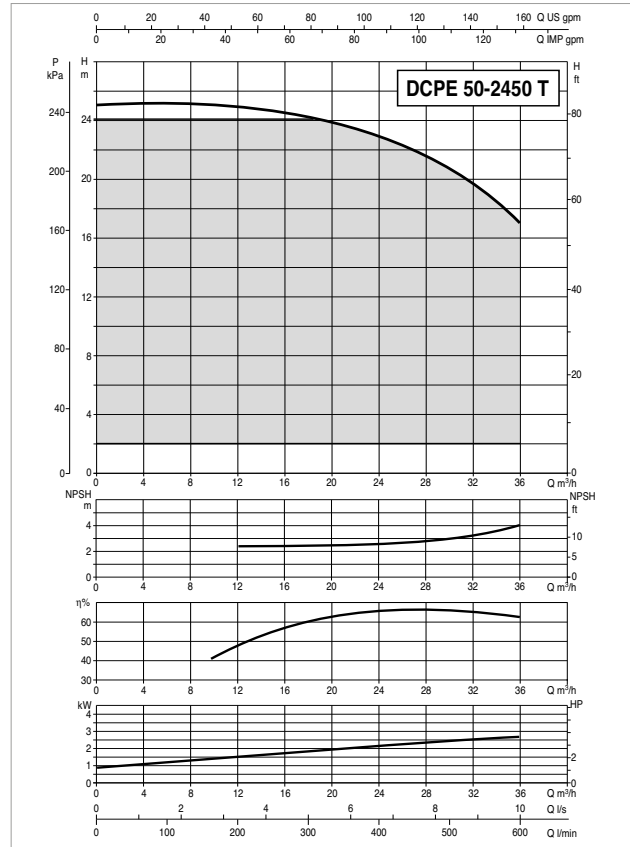
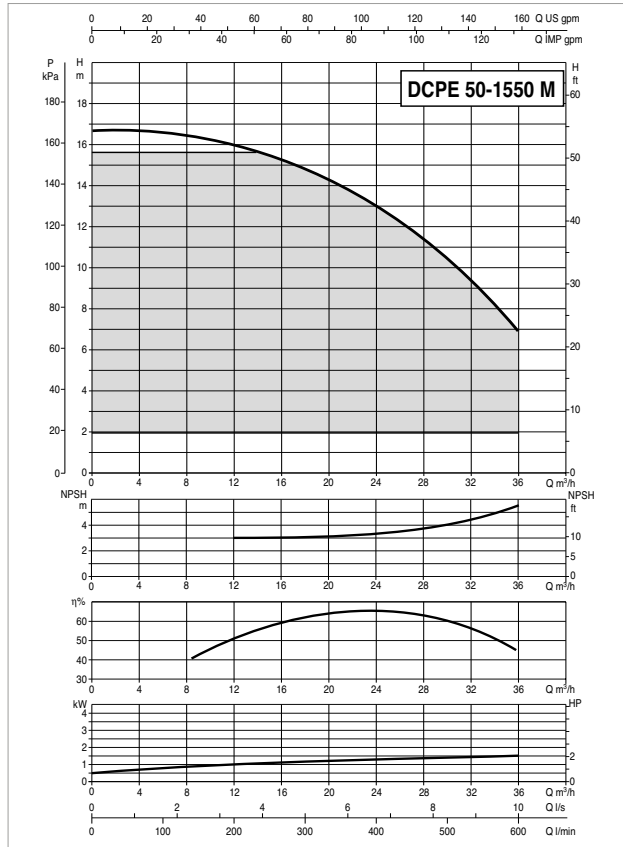


MODEL	ELECTRICAL DATA						
	POWER INPUT 50-60 Hz	MOTOR TYPE	n r.p.m.	P1 MAX W	P2 NOMINAL		In A
					kW	HP	
DCPE 40/1650 M MCE11/C IE2	1 x 220-240 V ~	2 poles	2900	1,10	0,75	1,0	9,0
DCPE 40/2450 M MCE15/C IE2	1 x 220-240 V ~	2 poles	2900	2,17	1,5	2,0	15,8
DCPE 40/2450 T MCE30/C IE2	3 x 400 V ~	2 poles	2900	2,17	1,5	2,0	t.b.d.

MODEL	L	L1	L2	B	B1	B2	H	H1	N	D	D1	D2	D3	D4	Y	PACKING DIMENSIONS			VOLUME (m ³)	WEIGHT kg
																L/A	L/B	H		
DCPE 40/1650 M MCE11/C IE2	340	130	210	400	200	200	625	100	100	40 PN16	88	150	110	262	520	400	710	0,15	54	
DCPE 40/2450 M MCE15/C IE2	340	130	210	400	200	200	625	100	100	40 PN16	88	150	110	262	520	400	710	0,15	58	
DCPE 40/2450 T MCE30/C IE2	340	130	210	400	200	200	625	100	100	40 PN16	88	150	110	262	520	400	710	0,15	58	

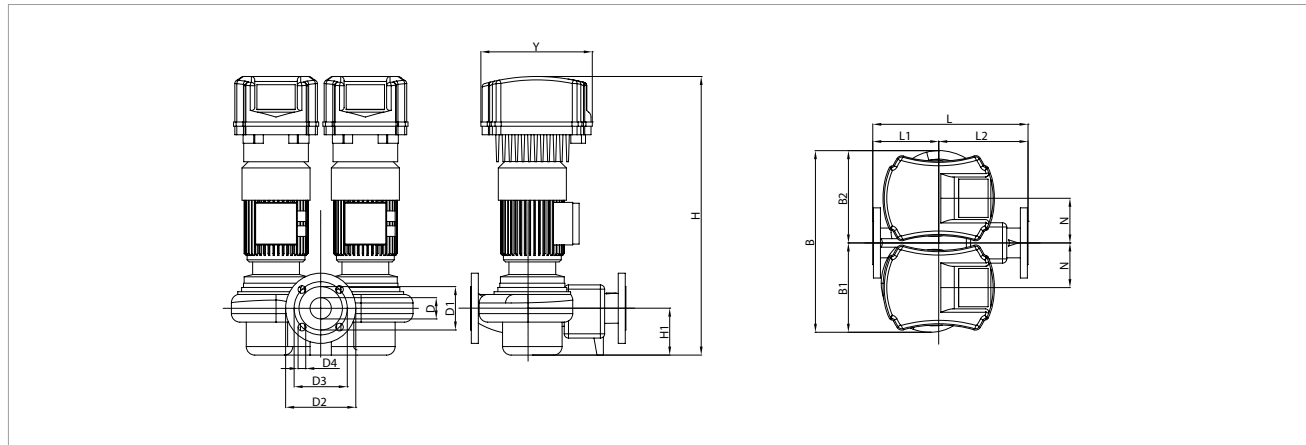
DCPE 50 2 POLES - ELECTRONIC IN-LINE PUMPS FOR HEATING, AIR CONDITIONING, REFRIGERATION, SOLAR, AND SANITARY SYSTEMS - TWIN, FLANGED, WITH MCE/C INVERTER

Pumped liquid temperature range: from -10 °C to +130°C - Maximum ambient temperature: +40°C



For the MEI index refer to the hydraulic data of the individual pump.

The performance curves are based on kinematic viscosity values = 1 mm²/s and density equal to 1000 kg/m³. Curve tolerance according to ISO 9906.



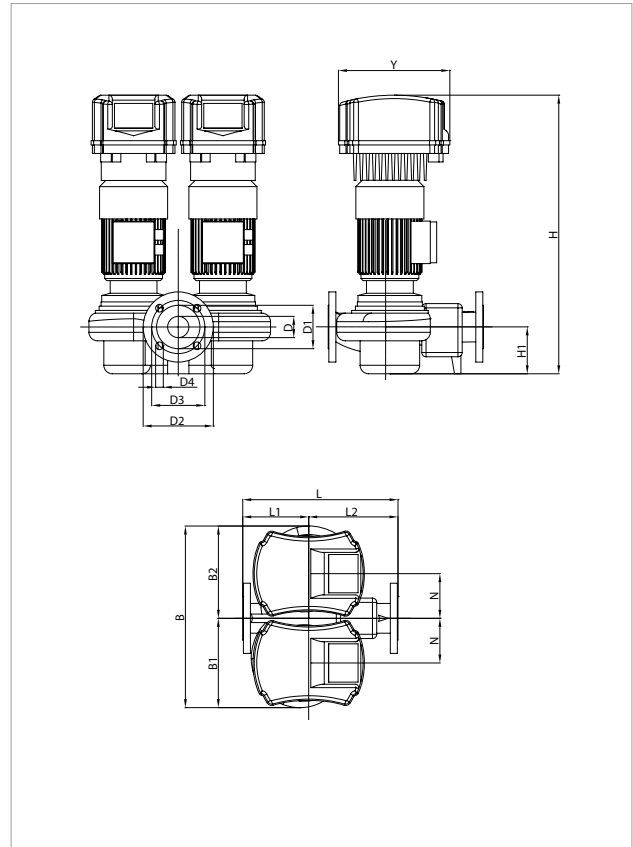
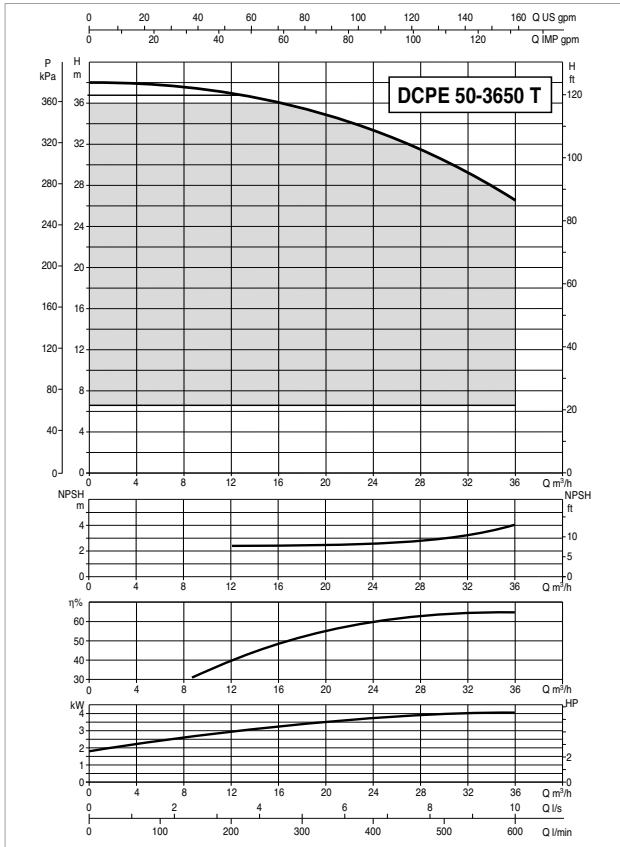
MODEL	ELECTRICAL DATA						
	POWER INPUT 50-60 Hz	MOTOR TYPE	n r.p.m.	P1 MAX W	P2 NOMINAL		In A
					kW	HP	
DCPE 50/1550 M MCE15/C IE2	1 x 220-240 V ~	2 poles	2900	2,17	1,5	2,0	15,8
DCPE 50/1550 T MCE30/C IE2	3 x 400 V ~	2 poles	2900	2,17	1,5	2,0	t.b.d.
DCPE 50/2450 T MCE30/C IE2 *	3 x 400 V ~	2 poles	2900	3,72	3,0	4,0	6,8

* ΔP-v proportional differential pressure adjustment mode also available.

MODEL	L	L1	L2	B	B1	B2	H	H1	N	D	D1	D2	D3	D4	Y	PACKING DIMENSIONS			VOLUME (m ³)	WEIGHT kg
																L/A	L/B	H		
DCPE 50/1550 M MCE15/C IE2	365	145	220	427	217	210	655	110	105	50 PN16	102	165	125	4 HOLES Ø18	262	520	400	710	0,15	60
DCPE 50/1550 T MCE30/C IE2	365	145	220	427	217	210	655	110	105	50 PN16	102	165	125		262	520	400	710	0,15	60
DCPE 50/2450 T MCE30/C IE2	365	145	220	427	217	210	655	110	105	50 PN16	102	165	125		353	520	400	710	0,15	75

DCPE 50 2 POLES - ELECTRONIC IN-LINE PUMPS FOR HEATING, AIR CONDITIONING, REFRIGERATION, SOLAR, AND SANITARY SYSTEMS - TWIN, FLANGED, WITH MCE/C INVERTER

Pumped liquid temperature range: from -10 °C to +130°C - Maximum ambient temperature: +40°C



For the MEI index refer to the hydraulic data of the individual pump.

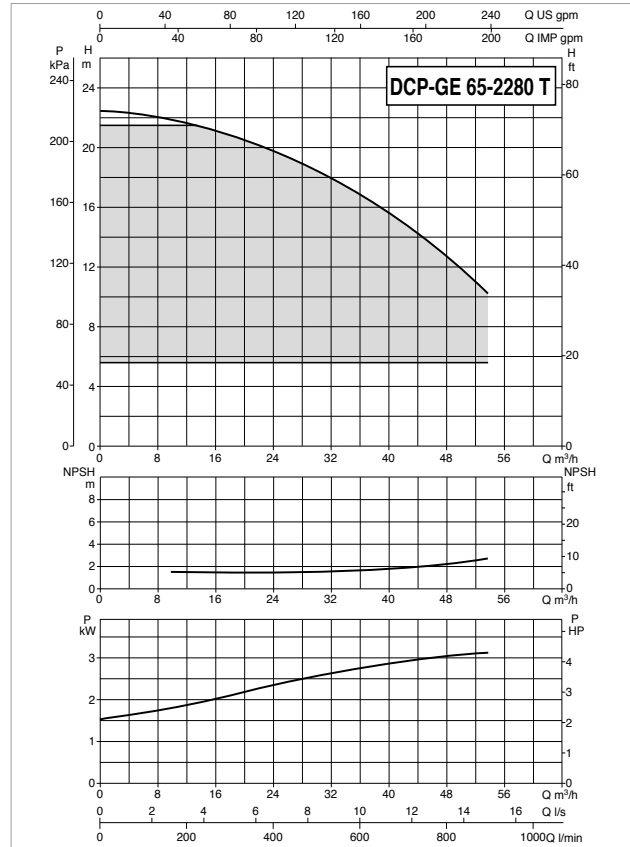
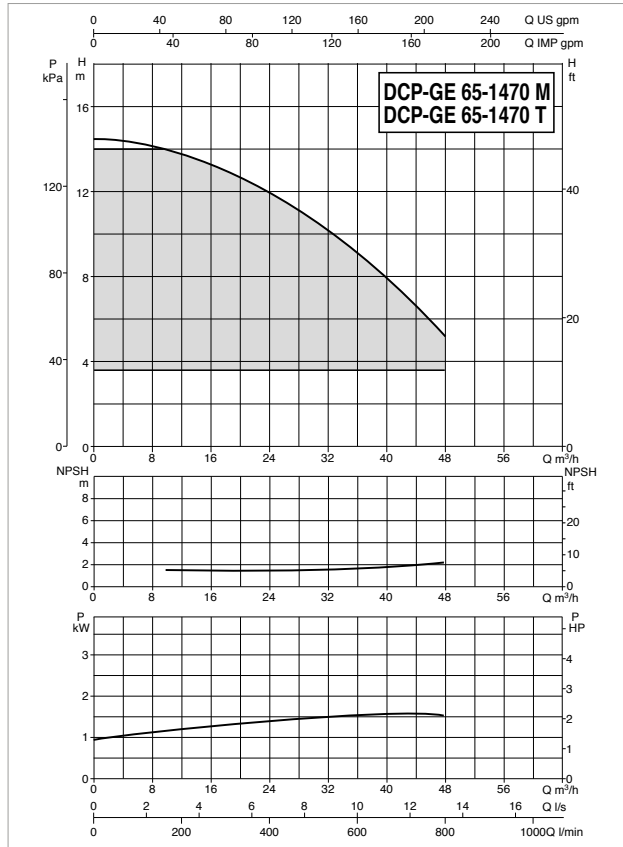
The performance curves are based on kinematic viscosity values = 1 mm²/s and density equal to 1000 kg/m³. Curve tolerance according to ISO 9906.

MODEL	ELECTRICAL DATA						
	POWER INPUT 50-60 Hz	MOTOR TYPE	n r.p.m.	P1 MAX W	P2 NOMINAL		In A
					kW	HP	
DCPE 50/3650 T MCE55/C IE2	3 x 400 V ~	2 poles	2900	5,11	4,0	5,5	9,6

MODEL	L	L1	L2	B	B1	B2	H	H1	N	D	D1	D2	D3	D4	Y	PACKING DIMENSIONS			VOLUME (m ³)	WEIGHT kg
																L/A	L/B	H		
DCPE 50/3650 T MCE55/C IE2	410	170	240	480	235	245	735	110	120	50 PN16	102	165	125	4 HOLES Ø18	353	700	600	970	0,41	95

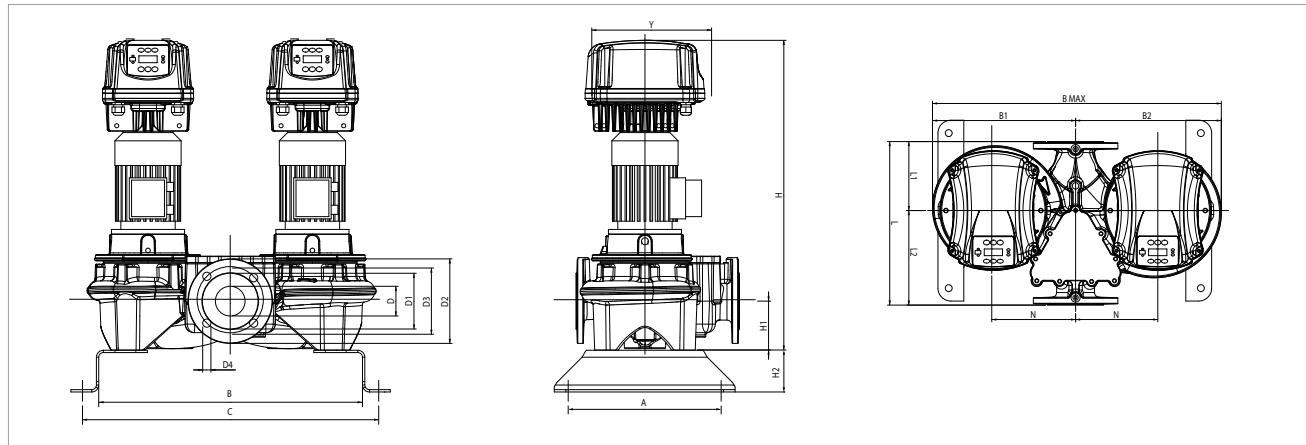
DCP-GE 65 2 POLES - ELECTRONIC IN-LINE PUMPS FOR HEATING, AIR CONDITIONING, REFRIGERATION, SOLAR, AND SANITARY SYSTEMS - TWIN, FLANGED, WITH MCE/C INVERTER

Pumped liquid temperature range: from -10 °C to +140°C - Maximum ambient temperature: +40°C



For the MEI index refer to the hydraulic data of the individual pump.

The performance curves are based on kinematic viscosity values = 1 mm²/s and density equal to 1000 kg/m³. Curve tolerance according to ISO 9906.



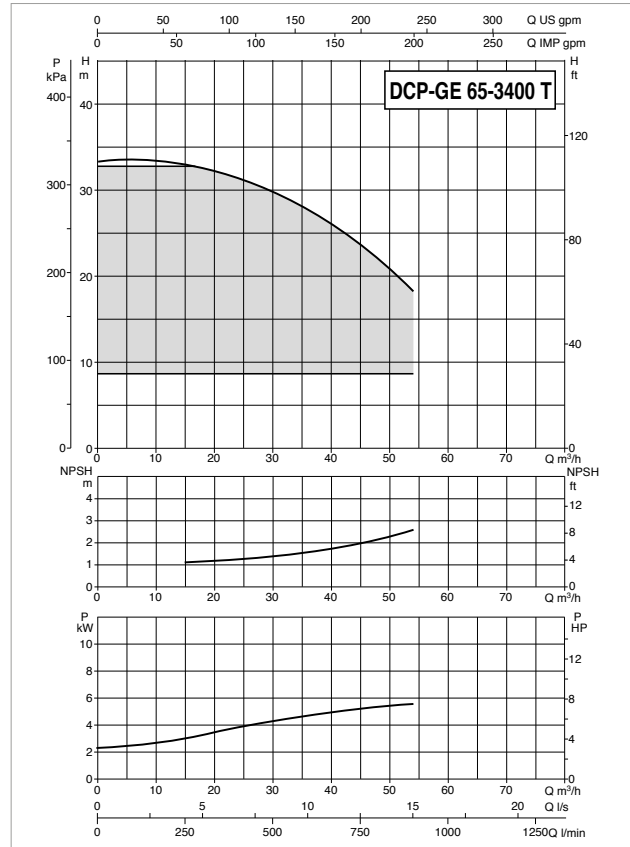
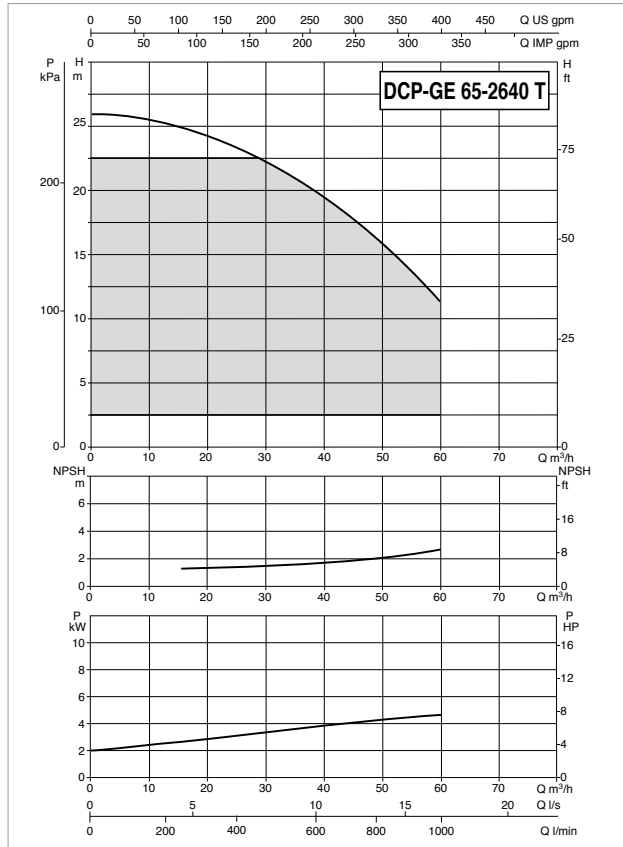
MODEL	ELECTRICAL DATA						
	POWER INPUT 50-60 Hz	MOTOR TYPE	n r.p.m.	P1 MAX W	P2 NOMINAL		In A
					kW	HP	
DCP-GE 65-1470/A/BAQE/ 1.5 M MCE11/C IE2	1 x 220-240 V ~	2 poles	2883	1,96	1,5	2,0	14,5
DCP-GE 65-1470/A/BAQE/ 1.5 T MCE30/C IE2	3 x 400 V ~	2 poles	2883	1,96	1,5	2,0	t.b.d.
DCP-GE 65-2280/A/BAQE/ 3 T MCE30/C IE2 *	3 x 400 V ~	2 poles	2882	3,55	3	4,0	7,2

* ΔP-v proportional differential pressure adjustment mode also available.

MODEL	A	B	C	B1	B2	B max	D1	D2	D3	D4	no. of holes	Y	H	H1	H2	L	L1	L2	M	N	PACKING DIMENSIONS			VOL. (m³)	WEIGHT kg
																					L/A	L/B	H		
DCP-GE 65-1470/A/BAQE/ 1.5 M MCE11/C IE2	330	569	639	315	320	635	122	185	145	18	4	262	745	107	100	358	151	207	M16	180	405	700	848	0,24	150
DCP-GE 65-1470/A/BAQE/ 1.5 T MCE30/C IE2	330	569	639	315	320	635	122	185	145	18		262	748	107	100	358	151	207	M16	180	405	700	848	0,24	148
DCP-GE 65-2280/A/BAQE/ 3 T MCE30/C IE2	330	569	639	315	320	635	122	185	145	18		352	828	107	100	358	151	207	M16	180	405	750	925	0,28	193

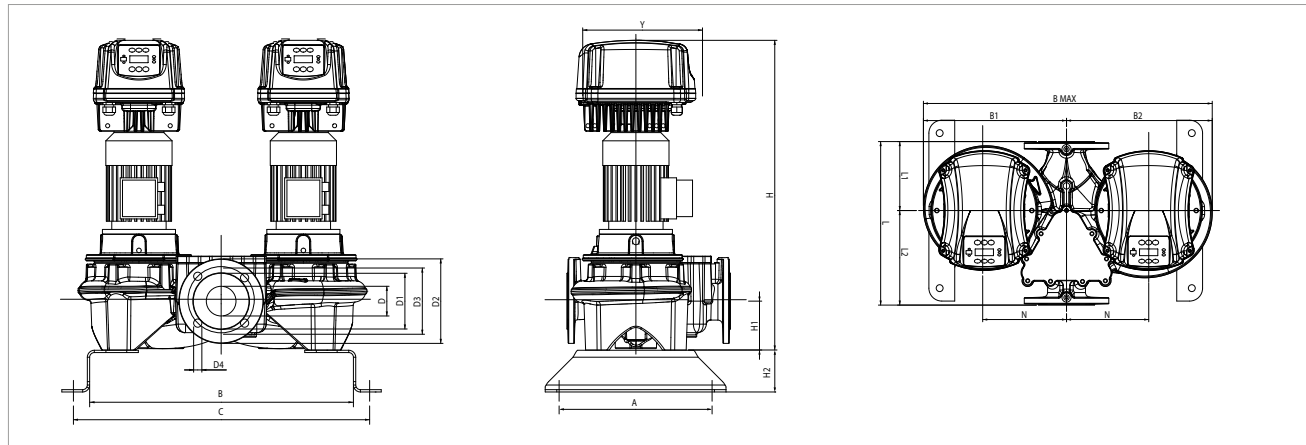
DCP-GE 65 2 POLES - ELECTRONIC IN-LINE PUMPS FOR HEATING, AIR CONDITIONING, REFRIGERATION, SOLAR, AND SANITARY SYSTEMS - TWIN, FLANGED, WITH MCE/C INVERTER

Pumped liquid temperature range: from -10 °C to +140°C - Maximum ambient temperature: +40°C



For the MEI index refer to the hydraulic data of the individual pump.

The performance curves are based on kinematic viscosity values = 1 mm²/s and density equal to 1000 kg/m³. Curve tolerance according to ISO 9906.



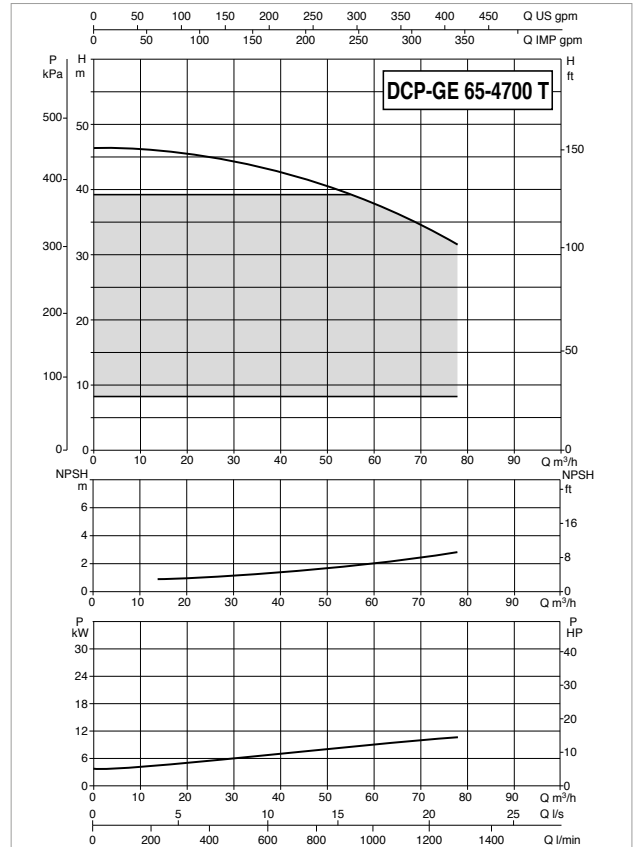
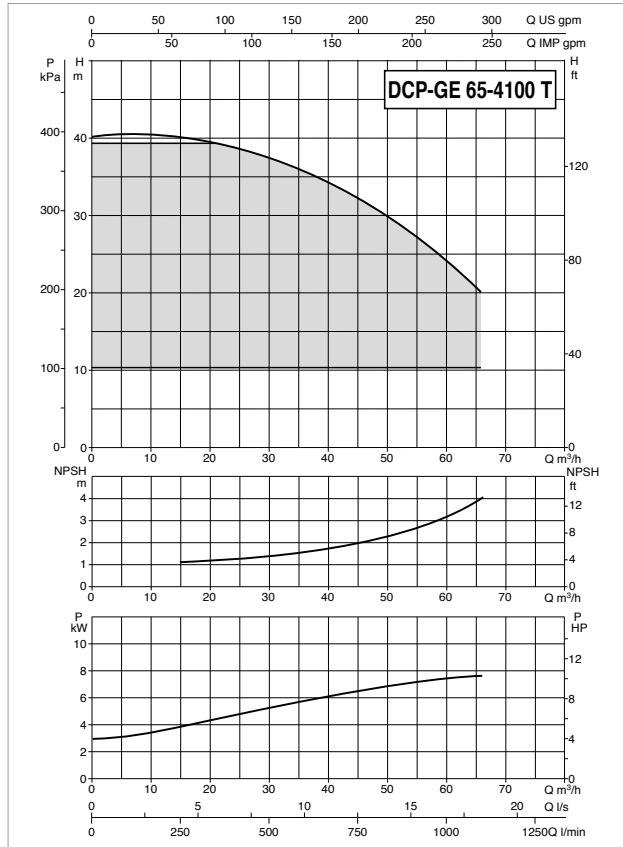
MODEL	ELECTRICAL DATA						
	POWER INPUT 50-60 Hz	MOTOR TYPE	n r.p.m.	P1 MAX W	P2 NOMINAL		In A
					kW	HP	
DCP-GE 65-2640/A/BAQE/ 4 T MCE55/C IE2 *	3 x 400 V ~	2 poles	2910	4,92	4	5,5	10,0
DCP-GE 65-3400/A/BAQE/ 5.5 T MCE55/C IE2 *	3 x 400 V ~	2 poles	2913	6,94	5,5	7,7	13,7

* ΔP-v proportional differential pressure adjustment mode also available.

MODEL	A	B	C	B1	B2	B max	D1	D2	D3	D4	no. of holes	Y	H	H1	H2	L	L1	L2	M	N	PACKING DIMENSIONS			VOL. (m ³)	WEIGHT kg
																					L/A	L/B	H		
DCP-GE 65-2640/A/BAQE/ 4 T MCE55/C IE2	330	569	639	315	320	635	122	185	145	18	4	352	843	107	100	358	151	207	M16	180	405	700	943	0,27	206
DCP-GE 65-3400/A/BAQE/ 5.5 T MCE55/C IE2	330	569	639	324	329	653	122	185	145	18		352	932	107	100	358	151	207	M16	180	405	700	1032	0,29	272

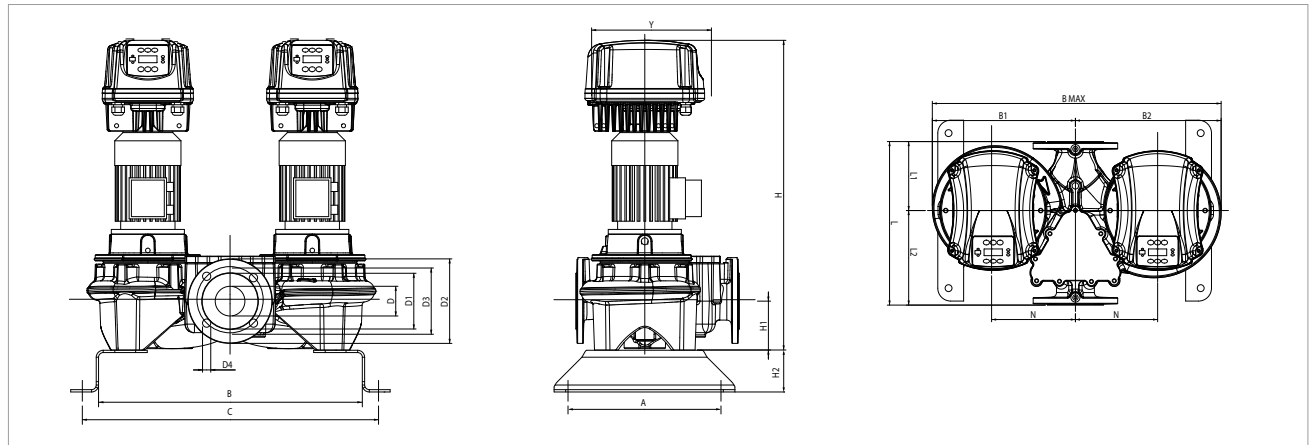
DCP-GE 65 2 POLES - ELECTRONIC IN-LINE PUMPS FOR HEATING, AIR CONDITIONING, REFRIGERATION, SOLAR, AND SANITARY SYSTEMS - TWIN, FLANGED, WITH MCE/C INVERTER

Pumped liquid temperature range: from -10 °C to +140°C - Maximum ambient temperature: +40°C



For the MEI index refer to the hydraulic data of the individual pump.

The performance curves are based on kinematic viscosity values = 1 mm²/s and density equal to 1000 kg/m³. Curve tolerance according to ISO 9906.



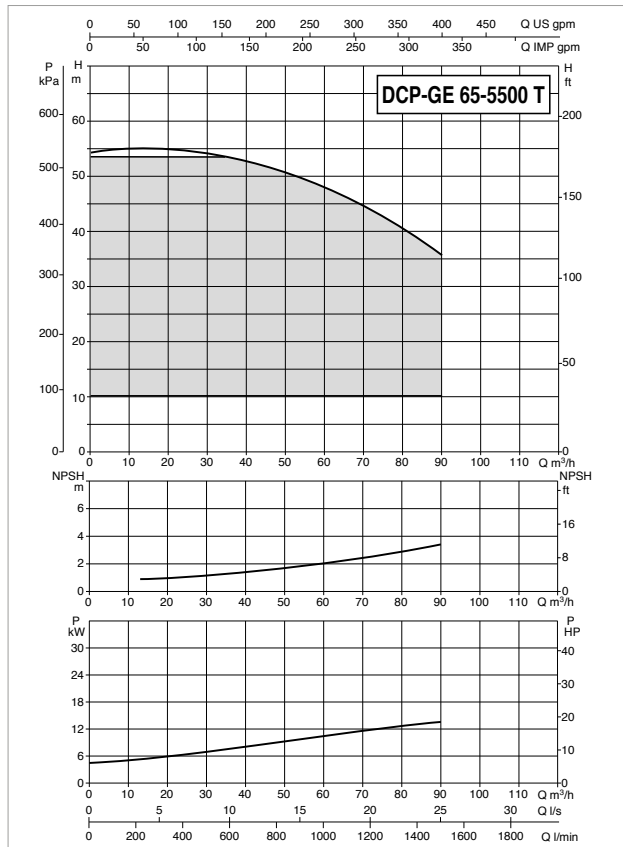
MODEL	ELECTRICAL DATA						
	POWER INPUT 50-60 Hz	MOTOR TYPE	n r.p.m.	P1 MAX W	P2 NOMINAL		In A
					kW	HP	
DCP-GE 65-4100/A/BAQE/ 7.5 T MCE110/C IE2 *	3 x 400 V ~	2 poles	2900	9,07	7,5	10,0	17,8
DCP-GE 65-4700/A/BAQE/ 11 T MCE110/C IE2	3 x 400 V ~	2 poles	2940	14,75	11	15,0	28,6

* ΔP-v proportional differential pressure adjustment mode also available.

MODEL	A	B	C	B1	B2	B max	D1	D2	D3	D4	no. of holes	Y	H	H1	H2	L	L1	L2	M	N	PACKING DIMENSIONS			VOL. (m ³)	WEIGHT kg
																					L/A	L/B	H		
DCP-GE 65-4100/A/BAQE/ 7.5 T MCE110/C IE2	330	569	639	324	329	653	122	185	145	18	4	425	980	107	100	358	151	207	M17	180	405	700	1080	0,31	284
DCP-GE 65-4700/A/BAQE/ 11 T MCE110/C IE2	330	649	719	389	397	786	122	185	145	18		425	1139	125	100	475	177	298	M16	220	475	782	1239	0,46	423

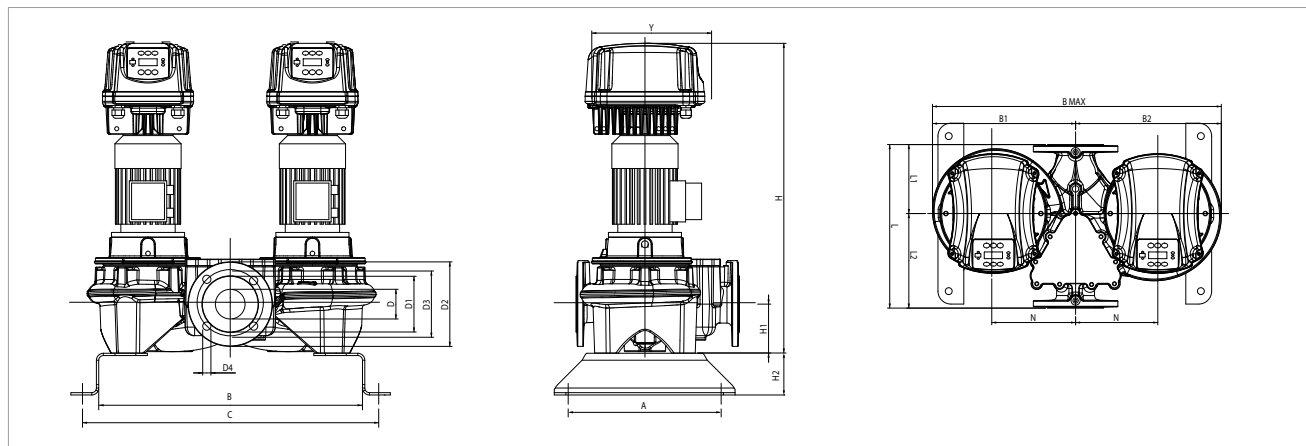
DCP-GE 65 2 POLES - ELECTRONIC IN-LINE PUMPS FOR HEATING, AIR CONDITIONING, REFRIGERATION, SOLAR, AND SANITARY SYSTEMS - TWIN, FLANGED, WITH MCE/C INVERTER

Pumped liquid temperature range: from -10 °C to +140°C - Maximum ambient temperature: +40°C



For the MEI index refer to the hydraulic data of the individual pump.

The performance curves are based on kinematic viscosity values = 1 mm²/s and density equal to 1000 kg/m³. Curve tolerance according to ISO 9906.



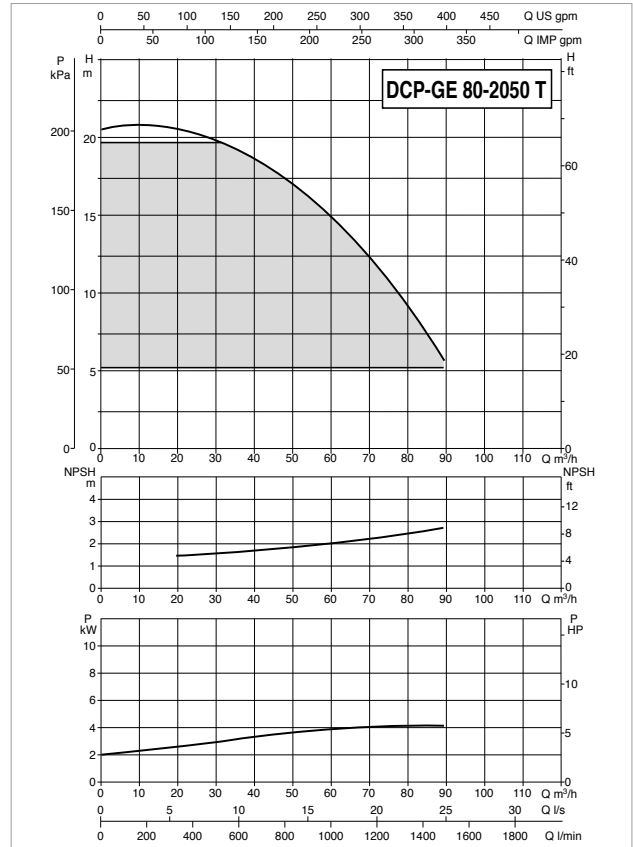
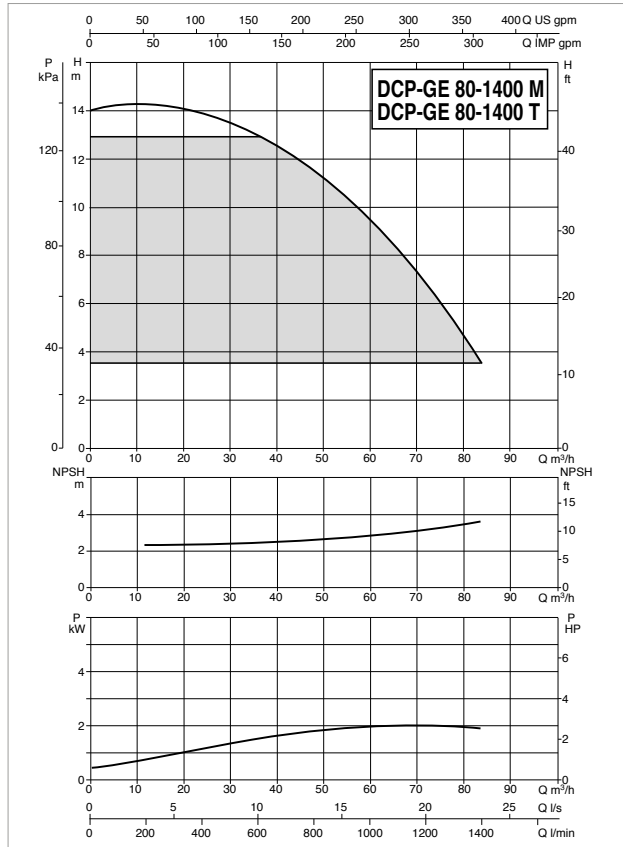
MODEL	ELECTRICAL DATA						
	POWER INPUT 50-60 Hz	MOTOR TYPE	n r.p.m.	P1 MAX W	P2 NOMINAL		In A
					kW	HP	
DCP-GE 65-5500/A/BAQE/ 15 T MCE150/C IE2 *	3 x 400 V ~	2 poles	2943	18,07	15	20,0	35,1

* ΔP-v proportional differential pressure adjustment mode also available.

MODEL	A	B	C	B1	B2	B max	D1	D2	D3	D4	no. of holes	Y	H	H1	H2	L	L1	L2	M	N	PACKING DIMENSIONS			VOL. (m³)	WEIGHT kg
																					L/A	L/B	H		
DCP-GE 65-5500/A/BAQE/ 15 T MCE150/C IE2	330	649	719	389	397	786	122	185	145	18	4	425	1139	125	100	475	177	298	M16	220	475	782	1239	0,46	459

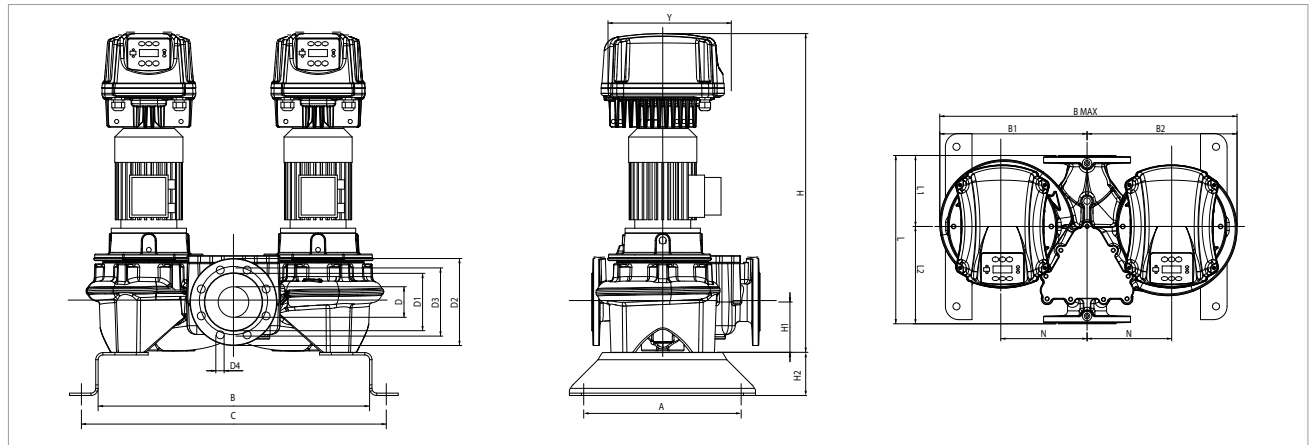
DCP-GE 80 2 POLES - ELECTRONIC IN-LINE PUMPS FOR HEATING, AIR CONDITIONING, REFRIGERATION, SOLAR, AND SANITARY SYSTEMS - TWIN, FLANGED, WITH MCE/C INVERTER

Pumped liquid temperature range: from -10 °C to +140°C - Maximum ambient temperature: +40°C



For the MEI index refer to the hydraulic data of the individual pump.

The performance curves are based on kinematic viscosity values = 1 mm²/s and density equal to 1000 kg/m³. Curve tolerance according to ISO 9906.

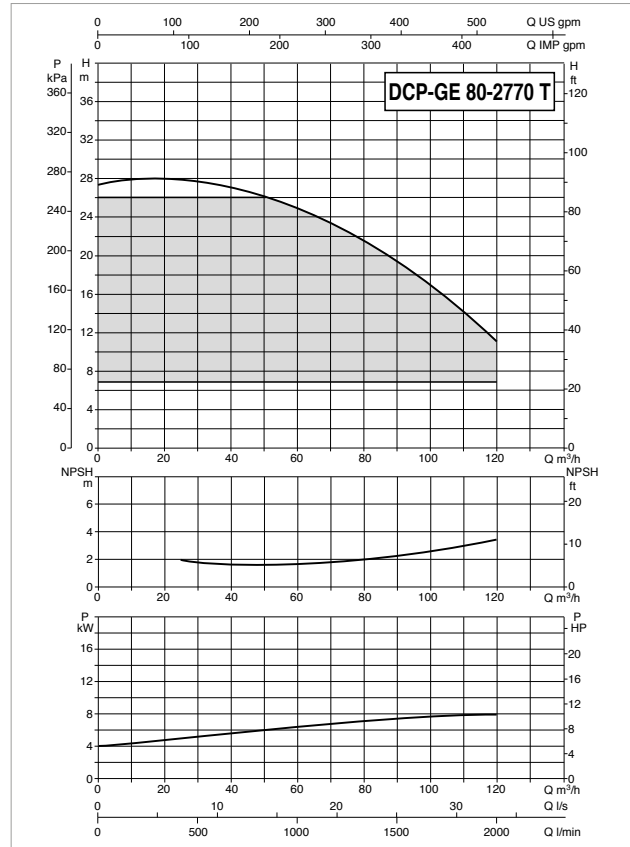
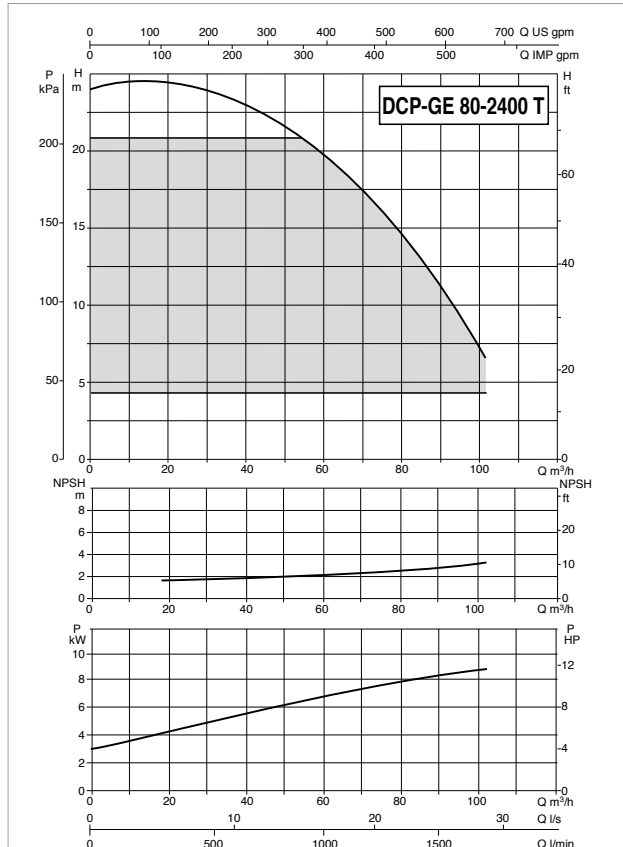


MODEL	ELECTRICAL DATA						
	POWER INPUT 50-60 Hz	MOTOR TYPE	n r.p.m.	P1 MAX W	P2 NOMINAL		In A
					kW	HP	
DCP-GE 80-1400/A/BAQE/ 2.2 M MCE22/C IE2	1 x 220-240 V ~	2 poles	2874	2,94	2,2	3,0	20,7
DCP-GE 80-1400/A/BAQE/ 2.2 T MCE30/C IE2	3 x 400 V ~	2 poles	2874	2,94	2,2	3,0	t.b.d.
DCP-GE 80-2050/A/BAQE/ 4 T MCE55/C IE2	3 x 400 V ~	2 poles	2914	5,46	4	5,5	10,9

MODEL	A	B	C	B1	B2	B max	D1	D2	D3	D4	no. of holes	Y	H	H1	H2	L	L1	L2	M	N	PACKING DIMENSIONS			VOL. (m³)	WEIGHT kg
																					L/A	L/B	H		
DCP-GE 80-1400/A/BAQE/ 2.2 M MCE22/C IE2	330	580	650	305	310	615	137	200	160	18	8	352	781,5	115	100	360	165	195	M16	180	360	710	882	0,23	177
DCP-GE 80-1400/A/BAQE/ 2.2 T MCE30/C IE2	330	580	650	305	310	615	137	200	160	18		352	781,5	115	100	360	165	195	M16	180	360	710	882	0,23	179
DCP-GE 80-2050/A/BAQE/ 4 T MCE55/C IE2	330	580	650	305	310	615	137	200	160	18		352	854,5	115	100	360	165	195	M16	180	360	710	955	0,24	195

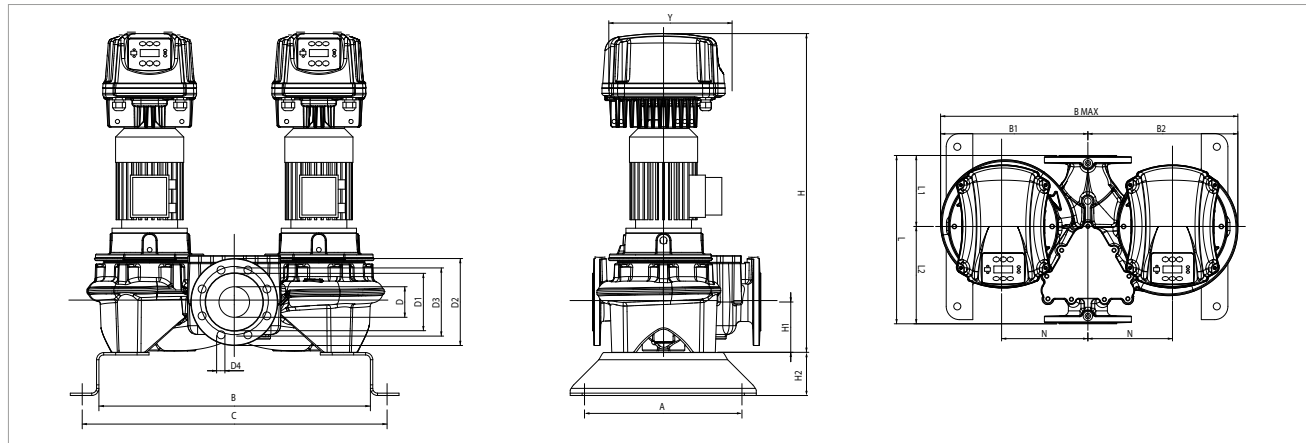
DCP-GE 80 2 POLES - ELECTRONIC IN-LINE PUMPS FOR HEATING, AIR CONDITIONING, REFRIGERATION, SOLAR, AND SANITARY SYSTEMS - TWIN, FLANGED, WITH MCE/C INVERTER

Pumped liquid temperature range: from -10 °C to +140°C - Maximum ambient temperature: +40°C



For the MEI index refer to the hydraulic data of the individual pump.

The performance curves are based on kinematic viscosity values = 1 mm²/s and density equal to 1000 kg/m³. Curve tolerance according to ISO 9906.



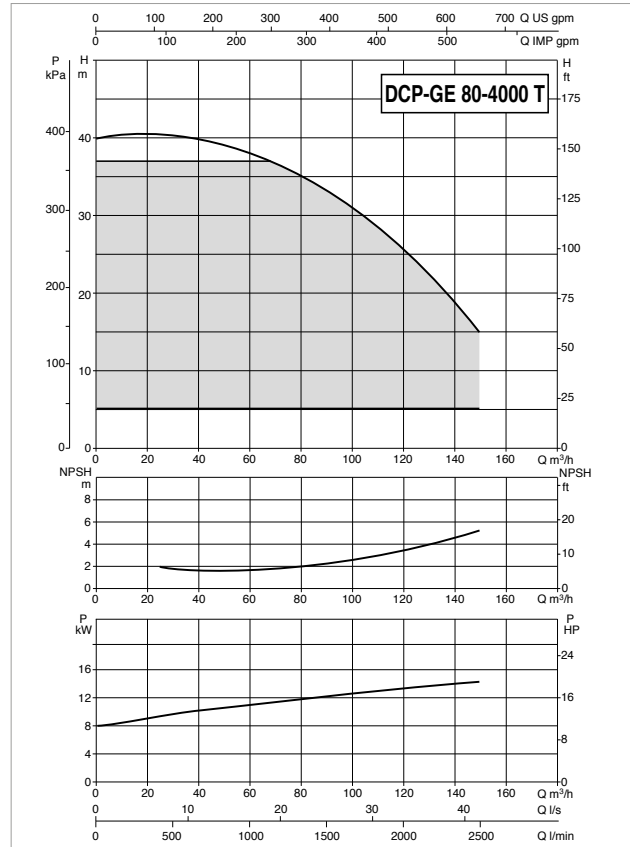
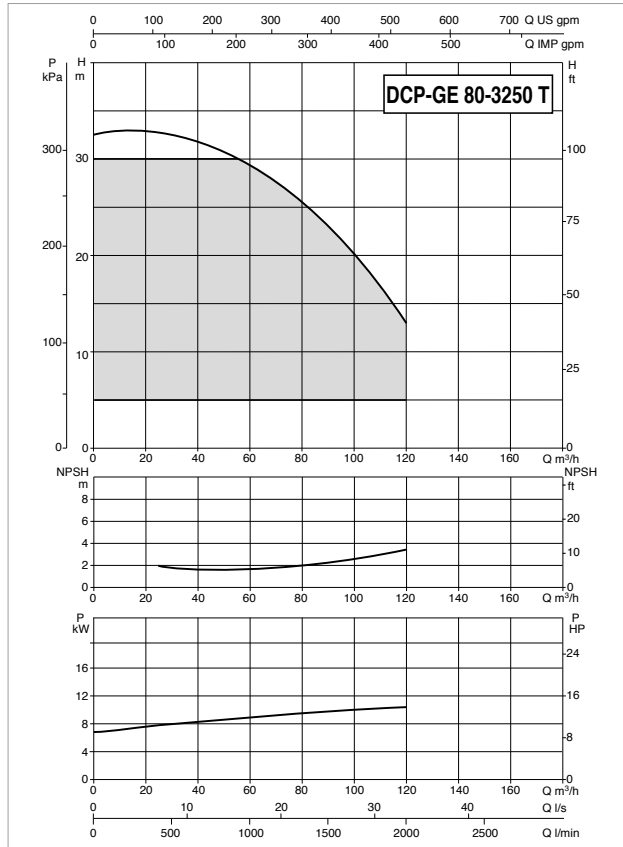
MODEL	ELECTRICAL DATA						
	POWER INPUT 50-60 Hz	MOTOR TYPE	n r.p.m.	P1 MAX W	P2 NOMINAL		In A
					kW	HP	
DCP-GE 80-2400/A/BAQE/ 5.5 T MCE55/C IE2 *	3 x 400 V ~	2 poles	2910	6,69	5,5	7,5	13,3
DCP-GE 80-2770/A/BAQE/ 7.5 T MCE110/C IE2 *	3 x 400 V ~	2 poles	2905	9,61	7,5	10,0	18,8

* ΔP-v proportional differential pressure adjustment mode also available.

MODEL	A	B	C	B1	B2	B max	D1	D2	D3	D4	no. of holes	Y	H	H1	H2	L	L1	L2	M	N	PACKING DIMENSIONS			VOL. (m ³)	WEIGHT kg
																					L/A	L/B	H		
DCP-GE 80-2400/A/BAQE/ 5.5 T MCE55/C IE2	330	580	650	327	332	659	137	200	160	18	8	352	943,5	115	100	360	165	195	M16	180	360	710	1044	0,27	264
DCP-GE 80-2770/A/BAQE/ 7.5 T MCE110/C IE2	330	620	690	355	365	750	137	200	160	18		425	992	115	100	440	165	195	M16	180	440	750	1092	0,36	186

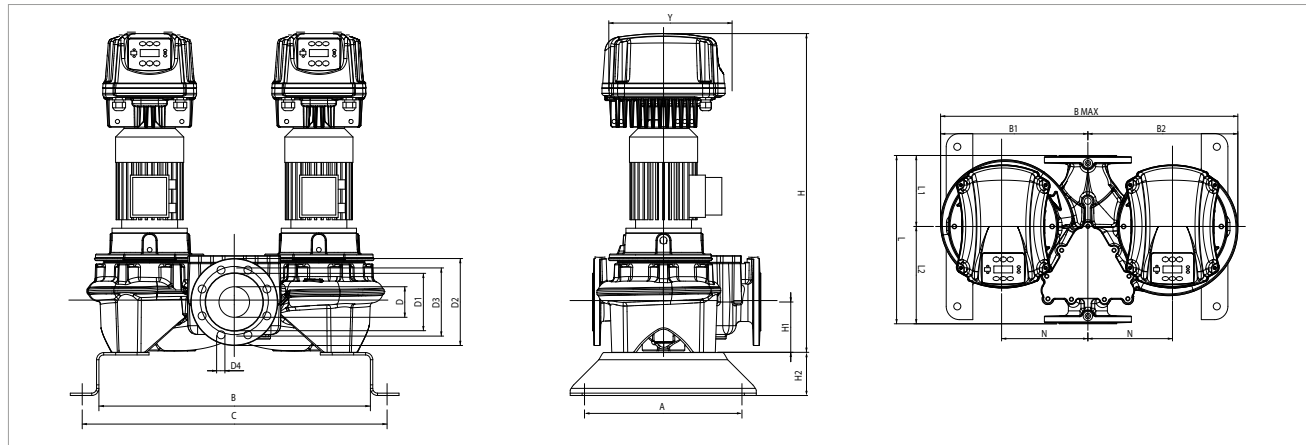
DCP-GE 80 2 POLES - ELECTRONIC IN-LINE PUMPS FOR HEATING, AIR CONDITIONING, REFRIGERATION, SOLAR, AND SANITARY SYSTEMS - TWIN, FLANGED, WITH MCE/C INVERTER

Pumped liquid temperature range: from -10 °C to +140°C - Maximum ambient temperature: +40°C



For the MEI index refer to the hydraulic data of the individual pump.

The performance curves are based on kinematic viscosity values = 1 mm²/s and density equal to 1000 kg/m³. Curve tolerance according to ISO 9906.



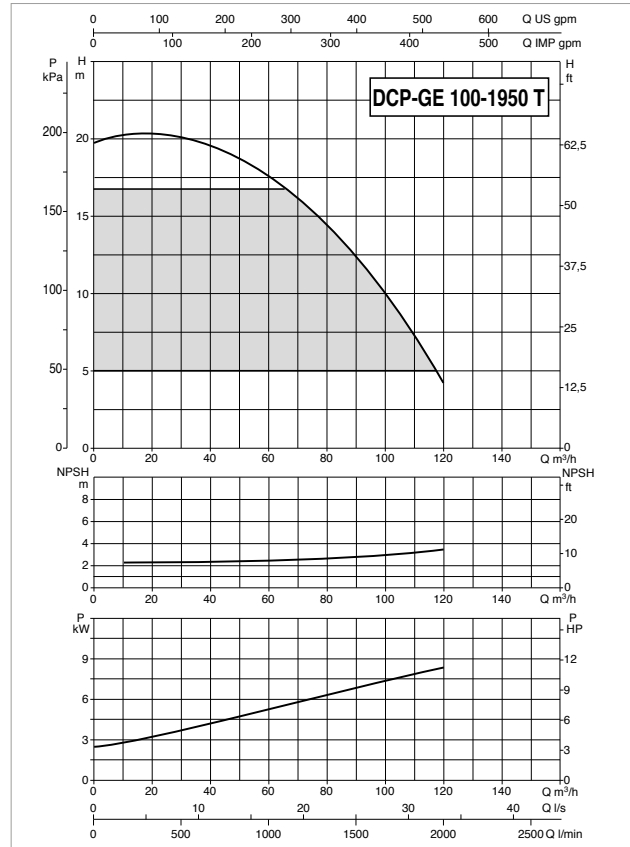
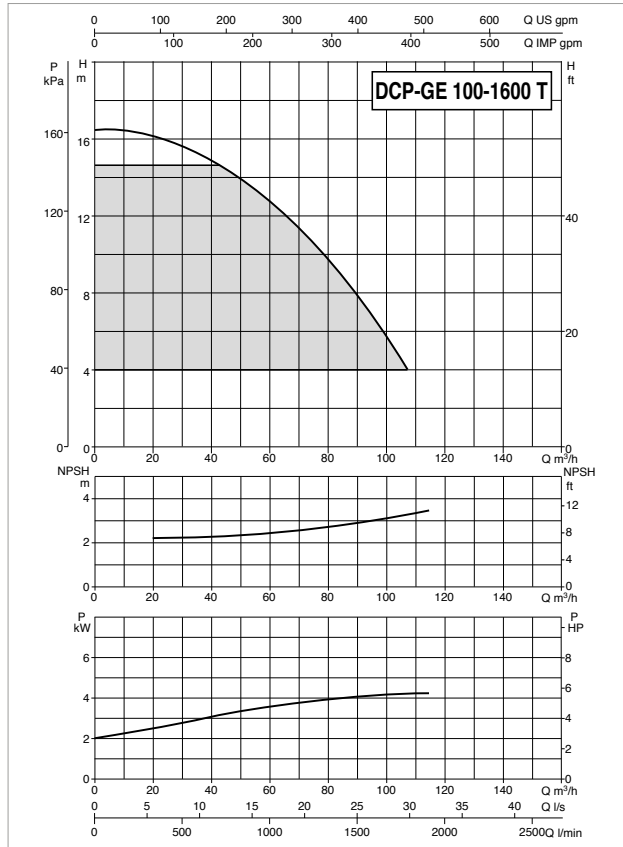
MODEL	ELECTRICAL DATA						
	POWER INPUT 50-60 Hz	MOTOR TYPE	n r.p.m.	P1 MAX W	P2 NOMINAL		In A
					kW	HP	
DCP-GE 80-3250/A/BAQE/ 11 T MCE110/C IE2	3 x 400 V ~	2 poles	2932	13,39	11	15,0	26,0
DCP-GE 80-4000/A/BAQE/ 15 T MCE150/C IE2 *	3 x 400 V ~	2 poles	2945	18,42	15	20,0	35,7

* ΔP-v proportional differential pressure adjustment mode also available.

MODEL	A	B	C	B1	B2	B max	D1	D2	D3	D4	no. of holes	Y	H	H1	H2	L	L1	L2	M	N	PACKING DIMENSIONS			VOL. (m³)	WEIGHT kg
																					L/A	L/B	H		
DCP-GE 80-3250/A/BAQE/ 11 T MCE110/C IE2	330	620	690	364	374	768	137	200	160	18	8	425	1137	115	100	440	165	195	M16	180	440	768	1237	0,42	204
DCP-GE 80-4000/A/BAQE/ 15 T MCE150/C IE2	330	620	690	364	374	768	137	200	160	18	8	425	1137	115	100	440	165	195	M16	180	440	768	1237	0,42	214

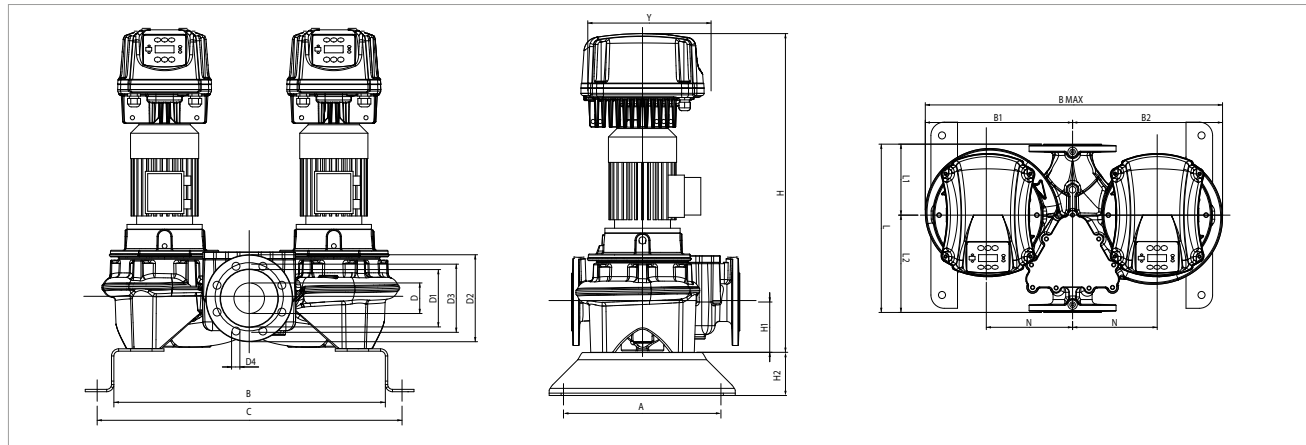
DCP-GE 100 2 POLES - ELECTRONIC IN-LINE PUMPS FOR HEATING, AIR CONDITIONING, REFRIGERATION, SOLAR, AND SANITARY SYSTEMS - TWIN, FLANGED, WITH MCE/C INVERTER

Pumped liquid temperature range: from -10 °C to +140°C - Maximum ambient temperature: +40°C



For the MEI index refer to the hydraulic data of the individual pump.

The performance curves are based on kinematic viscosity values = 1 mm²/s and density equal to 1000 kg/m³. Curve tolerance according to ISO 9906.

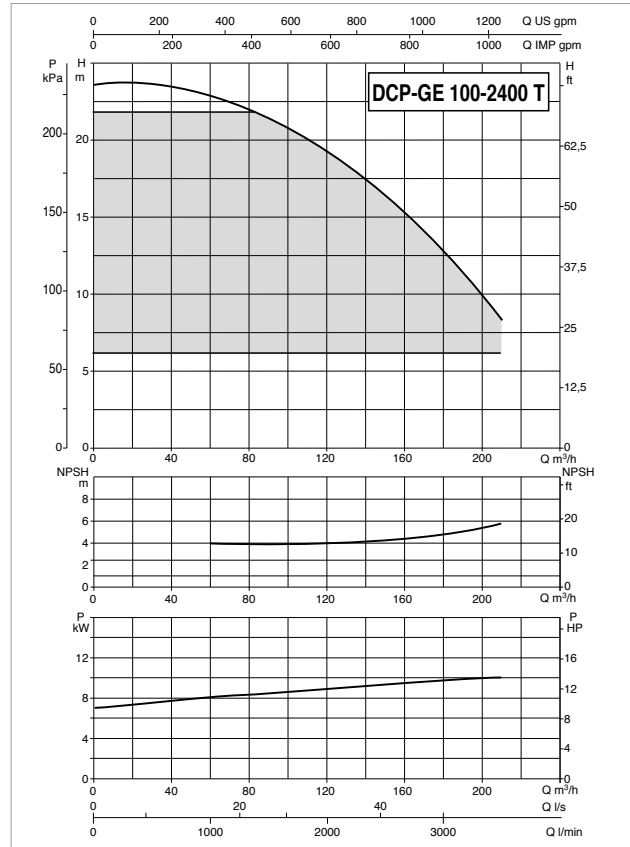
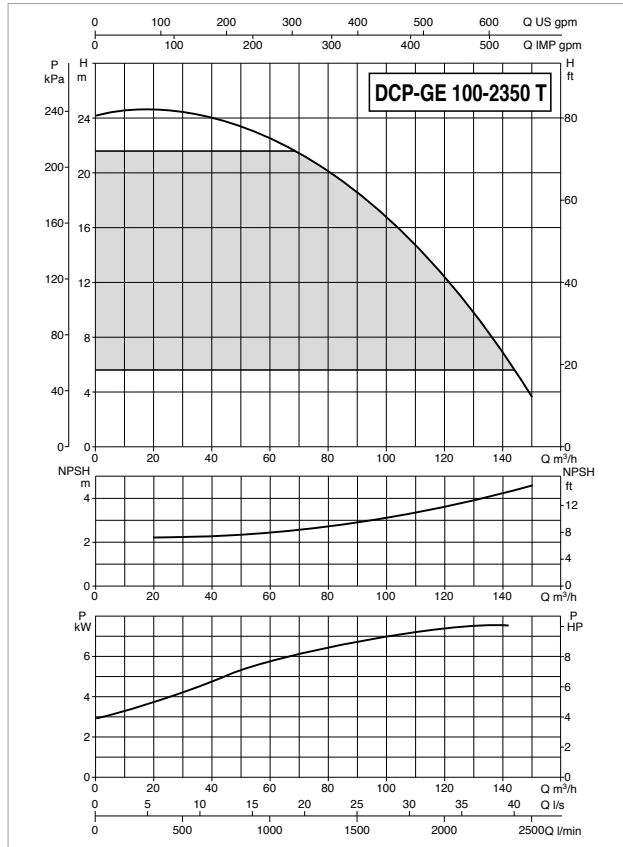


MODEL	ELECTRICAL DATA						
	POWER INPUT 50-60 Hz	MOTOR TYPE	n r.p.m.	P1 MAX W	P2 NOMINAL		In A
					kW	HP	
DCP-GE 100-1600/A/BAQE/ 4 T MCE55/C IE2	3 x 400 V ~	2 poles	2918	5,58	4	5,5	11,2
DCP-GE 100-1950/A/BAQE/ 5.5 T MCE55/C IE2	3 x 400 V ~	2 poles	2918	7,34	5,5	7,5	14,4

MODEL	A	B	C	B1	B2	B max	D1	D2	D3	D4	no. of holes	Y	H	H1	H2	L	L1	L2	M	N	PACKING DIMENSIONS			VOL. (m³)	WEIGHT kg
																					L/A	L/B	H		
DCP-GE 100-1600/A/BAQE/ 4 T MCE55/C IE2	362	637	717	330	345	675	137	200	160	18	8	352	882,5	140	100	500	280	340	M16	300	500	777	983	0,38	183
DCP-GE 100-1950/A/BAQE/ 5.5 T MCE55/C IE2	362	637	717	335	350	685	137	200	160	18	8	352	970,5	140	100	500	280	340	M16	300	500	777	1071	0,42	197

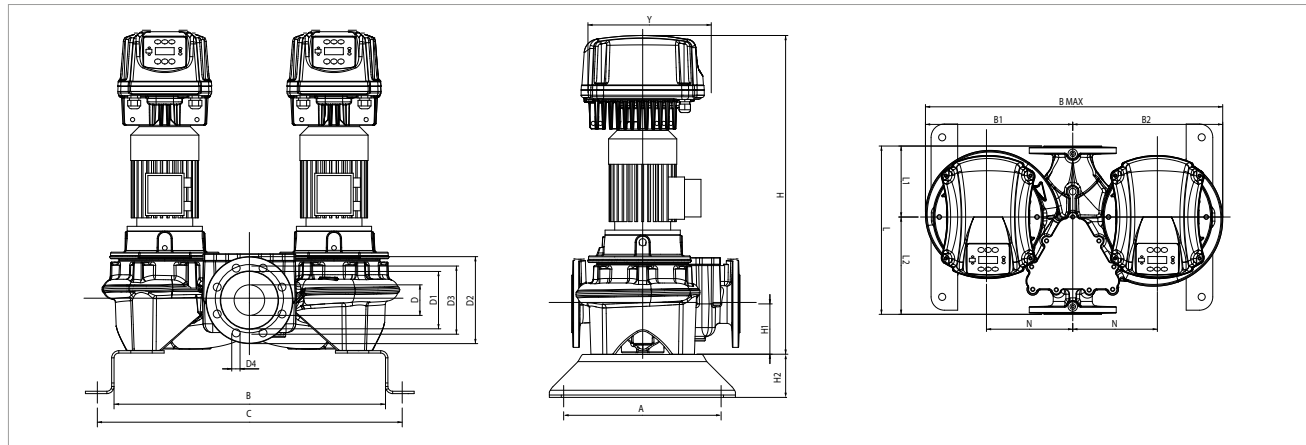
DCP-GE 100 2 POLES - ELECTRONIC IN-LINE PUMPS FOR HEATING, AIR CONDITIONING, REFRIGERATION, SOLAR, AND SANITARY SYSTEMS - TWIN, FLANGED, WITH MCE/C INVERTER

Pumped liquid temperature range: from -10 °C to +140°C - Maximum ambient temperature: +40°C



For the MEI index refer to the hydraulic data of the individual pump.

The performance curves are based on kinematic viscosity values = 1 mm²/s and density equal to 1000 kg/m³. Curve tolerance according to ISO 9906.



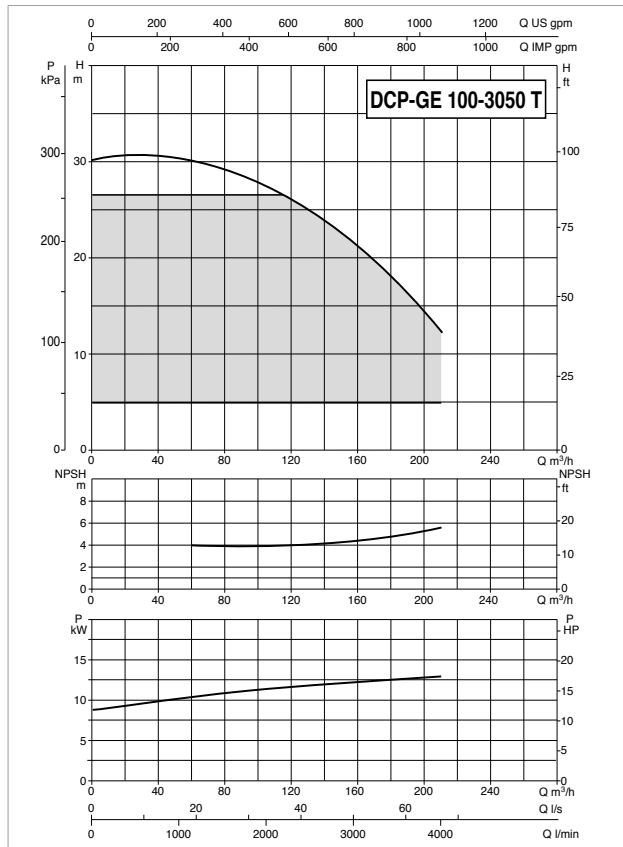
MODEL	ELECTRICAL DATA						
	POWER INPUT 50-60 Hz	MOTOR TYPE	n r.p.m.	P1 MAX W	P2 NOMINAL		In A
					kW	HP	
DCP-GE 100-2350/A/BAQE/ 7.5 T MCE110/C IE2 *	3 x 400 V ~	2 poles	2906	9,69	7,5	10,0	18,9
DCP-GE 100-2400/A/BAQE/ 11 T MCE110/C IE2	3 x 400 V ~	2 poles	2940	14,59	11	15,0	28,3

* ΔP-v proportional differential pressure adjustment mode also available.

MODEL	A	B	C	B1	B2	B max	D1	D2	D3	D4	no. of holes	Y	H	H1	H2	L	L1	L2	M	N	PACKING DIMENSIONS			VOL. (m ³)	WEIGHT kg
																					L/A	L/B	H		
DCP-GE 100-2350/A/BAQE/ 7.5 T MCE110/C IE2	362	637	717	335	350	685	137	200	160	18	8	425	1018,5	140	100	500	280	340	M16	300	500	777	1119	0,43	230
DCP-GE 100-2400/A/BAQE/ 11 T MCE110/C IE2	362	733	813	395	410	805	156	220	180	18		425	1159	140	100	550	191	309	M16	200	550	873	1259	0,60	273

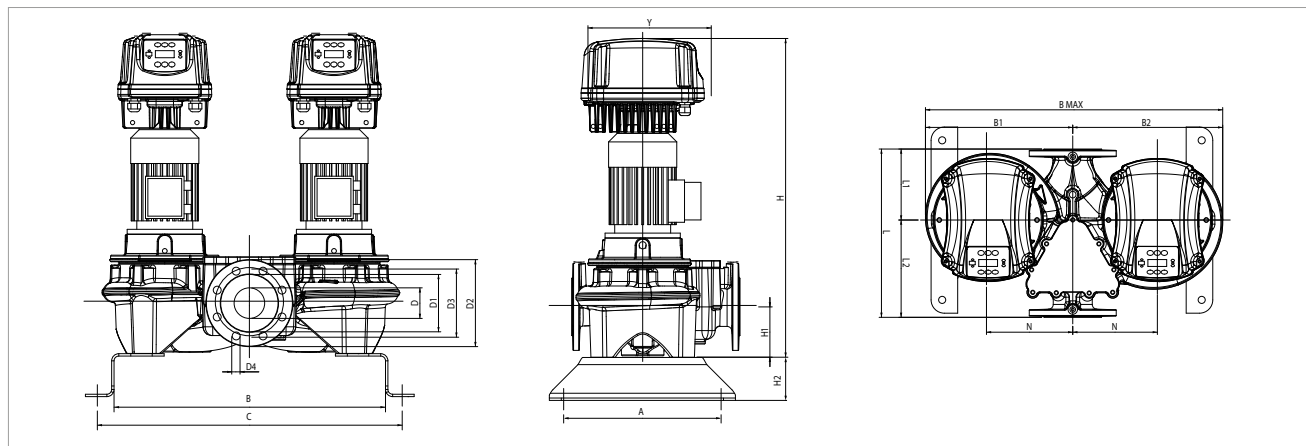
DCP-GE 100 2 POLES - ELECTRONIC IN-LINE PUMPS FOR HEATING, AIR CONDITIONING, REFRIGERATION, SOLAR, AND SANITARY SYSTEMS - TWIN, FLANGED, WITH MCE/C INVERTER

Pumped liquid temperature range: from -10 °C to +140°C - Maximum ambient temperature: +40°C



For the MEI index refer to the hydraulic data of the individual pump.

The performance curves are based on kinematic viscosity values = 1 mm²/s and density equal to 1000 kg/m³. Curve tolerance according to ISO 9906.



MODEL	ELECTRICAL DATA						
	POWER INPUT 50-60 Hz	MOTOR TYPE	n r.p.m.	P1 MAX W	P2 NOMINAL		In A
					kW	HP	
DCP-GE 100-3050/A/BAQE/ 15 T MCE150/C IE2 *	3 x 400 V ~	2 poles	2941	17,79	15	20,0	34,6

* ΔP-v proportional differential pressure adjustment mode also available.

MODEL	A	B	C	B1	B2	B max	D1	D2	D3	D4	no. of holes	Y	H	H1	H2	L	L1	L2	M	N	PACKING DIMENSIONS			VOL. (m ³)	WEIGHT kg
																					L/A	L/B	H		
DCP-GE 100-3050/A/BAQE/ 15 T MCE150/C IE2	362	733	813	395	410	805	156	220	180	18	8	425	1159	140	100	550	191	309	M16	200	550	873	1259	0,60	352

**TECHNICAL DATA****Operating range:** from 3 to 45 m³/h**Maximum head:** 24 m.**Maximum operating pressure:** 6.5 bar**Pumped liquid temperature range:** from -10 to +55 °C.**Maximum glycol percentage:** up to 40%**Installation:** fixed or portable, horizontal position.**Pumped liquid:** clean, free of solids and abrasives, chemically neutral, with properties similar to water.**Maximum ambient temperature:** 40 °C**Special versions on request:**

other power input voltages and/or frequencies

Motor protection: IP55**Insulation class:** F (copper wire with H class insulation)**Standard voltage:** single-phase 1x220-240 V / 50-60 Hz**Special version on request:**

three-phase 3x400 V / 50 Hz or three-phase 3x460 V / 60 Hz

APPLICATIONS

Pumping of water or other non-aggressive, non-explosive liquids, free from solid particles or fibres.

Particularly suited for pumping water containing glycol for air conditioning systems.

PLUS**Versatile:** thanks to the use of the MCE 22/C inverters, it offers performance features capable of automatically adapting to the different needs of the systems, keeping a consistent differential pressures. In addition, thanks to the high quality construction materials and the oversized motors, the KCE and KCVE series can be used to pump liquid containing up to 40% glycol.**Reliable:** all the components have been sized to guarantee a minimum life time of at least 50,000 hours of operation (with the exception of the bearings and the mechanical seals, for which the average life guaranteed is 25,000 hours in the most demanding conditions).**Rust-proof:** all the components in contact with the liquid are made of thermoplastic material (polypropylene or noryl reinforced), and the pump shaft is made of stainless steel (AISI 304).**Flexible:** possibility of rotating the pump body at 90 ° for better installation flexibility.**CONSTRUCTION FEATURES OF THE PUMP**

Complete hydraulics (pump body, seal holder flange, impeller, diffuser) made of fibreglass reinforced technopolymer, shaft extension in contact with the liquid made of AISI 304 stainless steel.

Silicon carbide/graphite mechanical seal, EPDM O rings

CONSTRUCTION FEATURES OF THE MOTOR

Continuous service external ventilation asynchronous motor (S1), 2 poles.

Sealed ball bearings, water and humidity resistant.

Motor construction in accordance with EN 60335-2-41.

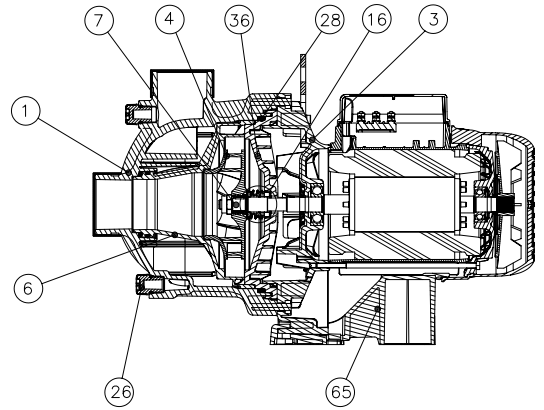
CONSTRUCTION FEATURES OF THE ELECTRONICS: MCE/C INVERTER

MCE/C inverters are the latest technological achievement of the DAB inverter range. They represent a new generation of inverters for use with circulation pumps, and set themselves apart due to ease of use, power, simplicity of installation and management. MCE/C inverters have been designed for managing circulation pumps. By allowing a simple adjustment of the differential pressure, they give the possibility of adjusting the performance of the circulation pump to the actual system requirements. They are fitted on the fan cover of the motor. This makes the installation of the pump with MCE/C particularly easy and quick. The protection class of the MCE/C is IP55. The easy of programming is guaranteed by the use of a simple and intuitive interface, similar to Dialogue electronic circulators, and a graphic display. MCE/C inverters have a double micro-processor construction that guarantees maximum efficiency and reliability.

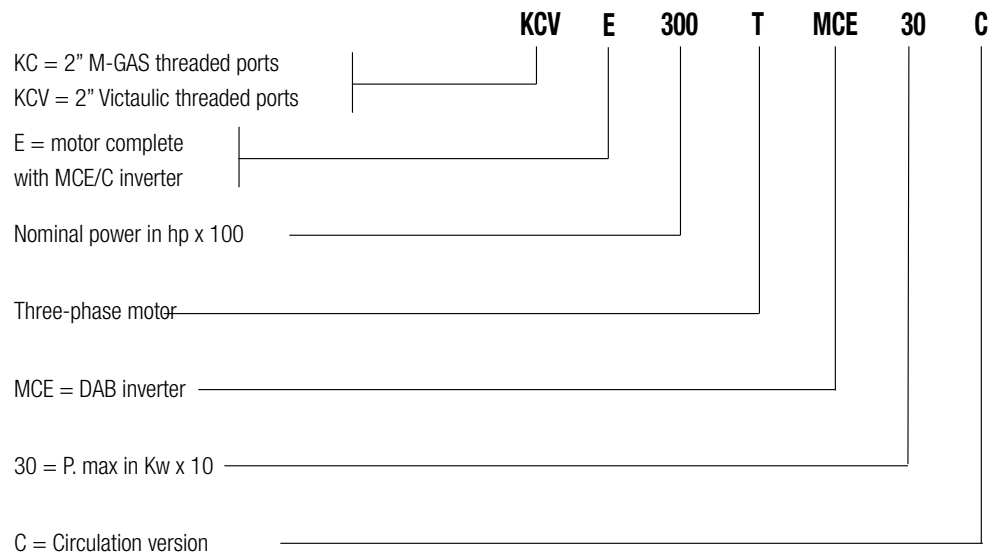
A reliable and sturdy construction, together with a modern and innovative design, complete the product, also in terms of aesthetic value. MCE/C inverters protect the motor and the pump, and increase their life, by eliminating hammering effects and making the pump rotate at the minimum number of rotations capable of meeting the requirements of the user. In addition, electric pumps controlled by the MCE/C inverter are environmentally friendly. In fact, by ensuring that the pump only uses the power that is strictly necessary for meeting the needs of the users, electricity consumption is strongly reduced when compared with fixed speed pumps. It is possible to create twin units by using the appropriate cable for the connection of MCE/C inverters.

MATERIALS

N.	PARTS	MATERIALS
1	PUMP BODY	FIBREGLASS REINFORCED TECHNOPOLYMER
3	SUPPORT	DIE-CAST ALUMINIUM ALLOY
4	IMPELLER	FIBREGLASS REINFORCED TECHNOPOLYMER
6	DIFFUSER	FIBREGLASS REINFORCED TECHNOPOLYMER
7	SHAFT	AISI 304 STAINLESS STEEL IN CONTACT WITH THE LIQUID
16	MECHANICAL SEAL	SILICON CARBIDE/GRAPHITE
26	CAP	FIBREGLASS REINFORCED TECHNOPOLYMER
28	O-RING	EPDM
36	SEAL HOLDING DISC	FIBREGLASS REINFORCED TECHNOPOLYMER
65	BASE	FIBREGLASS REINFORCED TECHNOPOLYMER



**- Legend:
(example)**



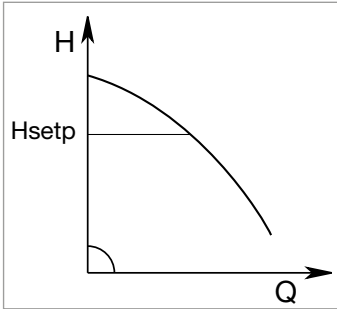
MCE/C INVERTER

MODES OF OPERATION

All the functions listed below can be consulted by the users (including less experienced ones) by simply scrolling through the MCE/C menu. The calibration and the modification of the parameters are protected, and can only be completed by expert users.

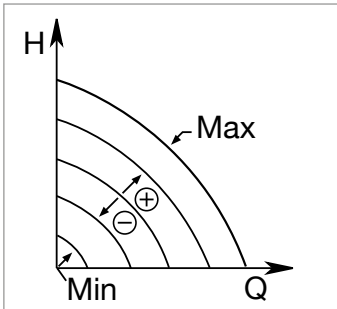
1 - ΔP -c constant differential pressure adjustment mode

The ΔP -c adjustment mode keeps the differential pressure of the system constantly at the H (setp) value set, even in case of variation of the flow rate. This is the standard adjustment used. It can be set directly from the MCE/C control panel. The inverter keeps the differential pressure (H setp) constant even in case of flow variation.



This adjustment is particularly indicated for the following systems:

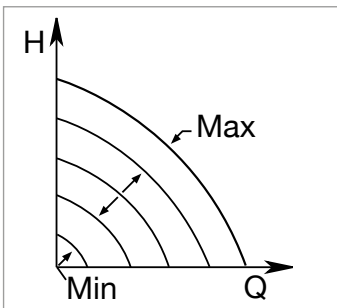
- a. two-pipe heating systems with thermostat valves
- b. underfloor heating systems with thermostat valves
- c. single-pipe heating systems with thermostat valves and calibration valves
- d. systems with primary circuit pumps



2 - Constant curve adjustment modes

2.1 - Constant curve adjustment

The rotation speed is kept at a constant number of revolutions. This rotation speed can be set between a minimum value and the nominal frequency of the circulation pump (e.g. between 15 Hz and 50 Hz). This mode can be set using the control panel on the MCE cover.

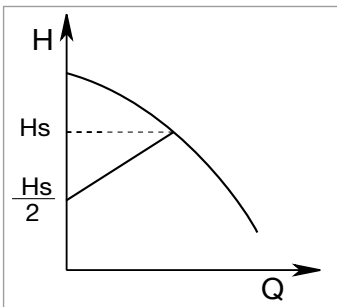


2.2 - Adjustment of the constant curve with external analogue signal

The rotation speed is kept at a constant number of revolution in proportion with the voltage of the external analogue signal.

The rotation speed changes in a linear way, between the nominal frequency of the pump when $V_{in} = 10$ V, and the minimum frequency when $V_{in} = 0$ V.

This mode can be set using the control panel on the MCE cover.



3 - ΔP -v * proportional differential pressure adjustment mode

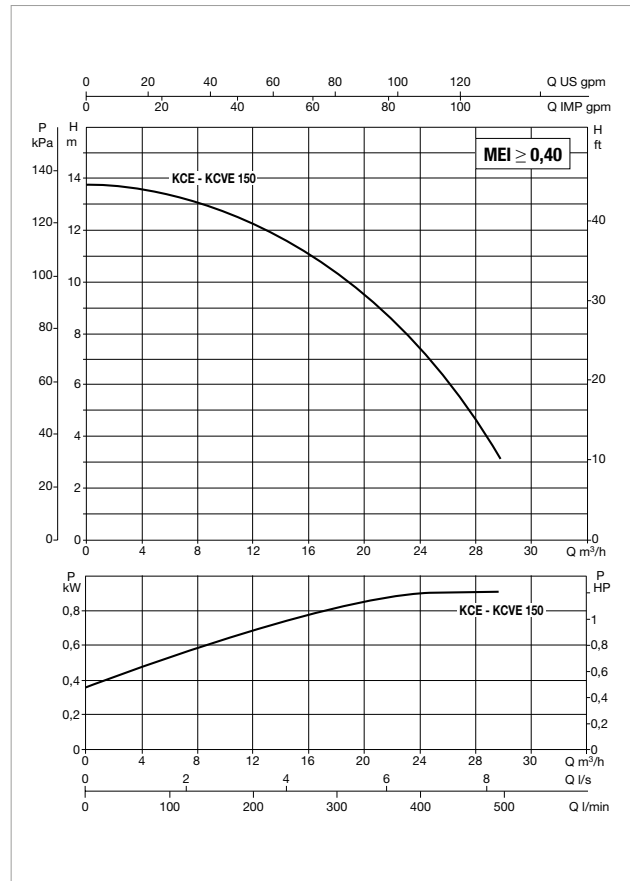
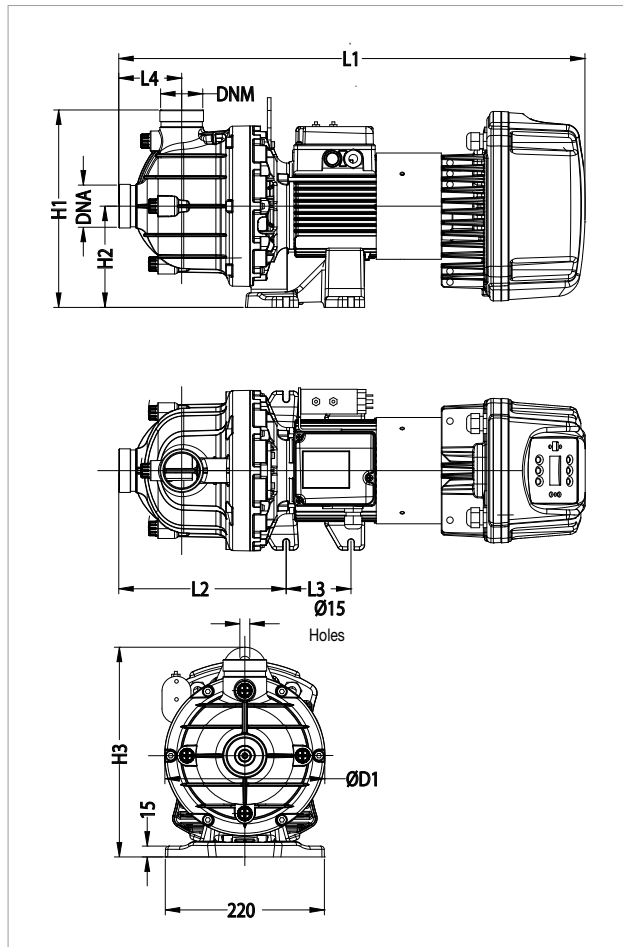
With ΔP -v adjustment mode, with the variation of the flow rate, the value of the delivery of the head also varies in a linear manner, from Hsetp to Hsetp/2.

* in order to know the availability of the function on specific models contact our customer service.

For more information refer to the technical appendix.

KCE / KCVE 150 - COMPOSITE MATERIAL CENTRIFUGAL ELECTRONIC PUMPS FOR AIR CONDITIONING AND REFRIGERATION SYSTEMS - SINGLE, THREADED, WITH MCE/C INVERTER

Pumped liquid temperature range: from -10 °C to +55°C - Maximum ambient temperature: +40°C



The performance curves are based on kinematic viscosity values = 1 mm²/s and density equal to 1000 kg/m³. Curve tolerance according to ISO 9906.

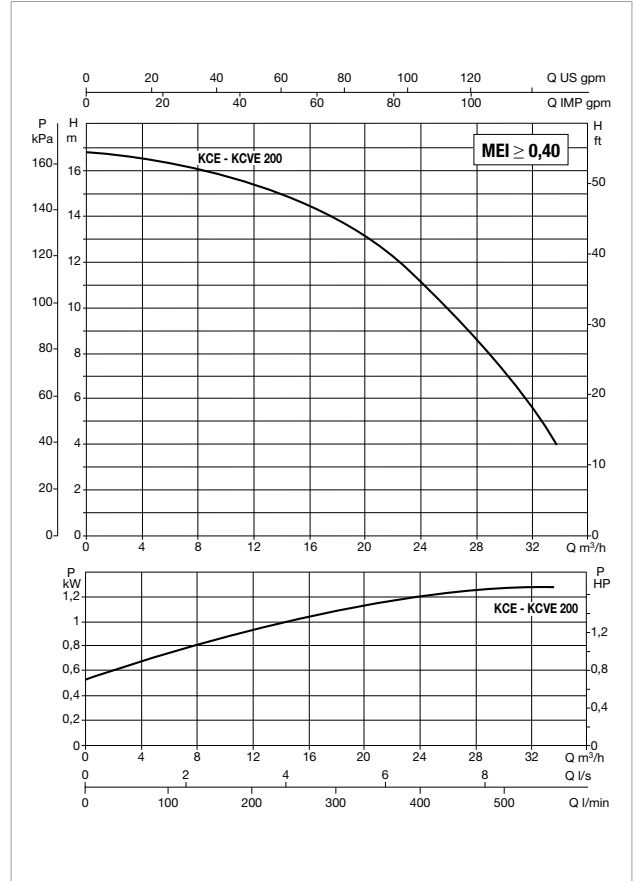
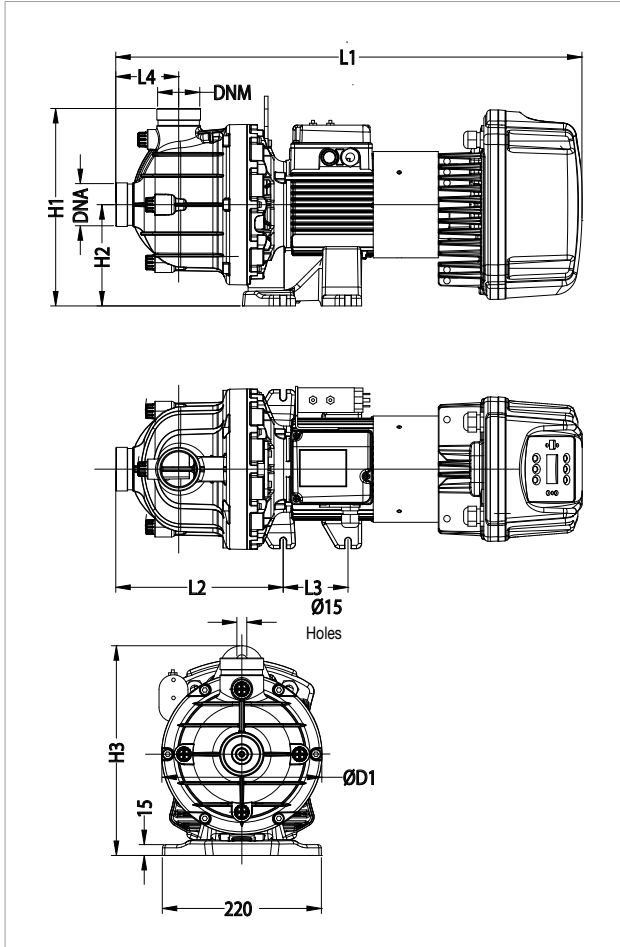
MODEL	Q=m³/h	0	10	15	20	25
	Q=l/min	0	167	250	333	417
KCE / KCVE 150 T	H (m)	13,6	12,8	11,5	9,5	6,5

MODEL	ELECTRICAL DATA					PUMP CONFIGURATION
	POWER INPUT 50-60 Hz	P1 MAX W	P2 NOMINAL kW	In A		
KCE 150 M MCE11/C IE2	1x220-240 V ~	1,27	0,80	10,1		230D
KCE 150 T MCE30/C IE2	3 x 400 V ~	1,27	0,80	t.b.d.		230D
KCVE 150 M MCE11/C IE2	1x220-240 V ~	1,27	0,80	10,1		230D
KCVE 150 T MCE30/C IE2	3 x 400 V ~	1,27	0,80	t.b.d.		230D

MODEL	L1	L2	L3	L4	H1	H2	H3	D1	DNA	DNM	PACKING DIMENSIONS			VOLUME (m³)	WEIGHT kg
											L/A	L/B	H		
KCE 150 M MCE11/C IE2	639	231	90	87	273	140	290	222	2" M-GAS	2" M-GAS	670	420	601	0,17	30,8
KCE 150 T MCE30/C IE2	639	231	90	87	273	140	290	222	2" M-GAS	2" M-GAS	670	420	601	0,17	30,8
KCVE 150 M MCE11/C IE2	639	231	90	87	273	140	290	222	2" Victaulic	2" Victaulic	670	420	601	0,17	30,8
KCVE 150 T MCE30/C IE2	639	231	90	87	273	140	290	222	2" Victaulic	2" Victaulic	670	420	601	0,17	30,8

KCE / KCVE 200 - COMPOSITE MATERIAL CENTRIFUGAL ELECTRONIC PUMPS FOR AIR CONDITIONING AND REFRIGERATION SYSTEMS - SINGLE, THREADED, WITH MCE/C INVERTER

Pumped liquid temperature range: from -10 °C to +55°C - Maximum ambient temperature: +40°C



The performance curves are based on kinematic viscosity values = 1 mm²/s and density equal to 1000 kg/m³. Curve tolerance according to ISO 9906.

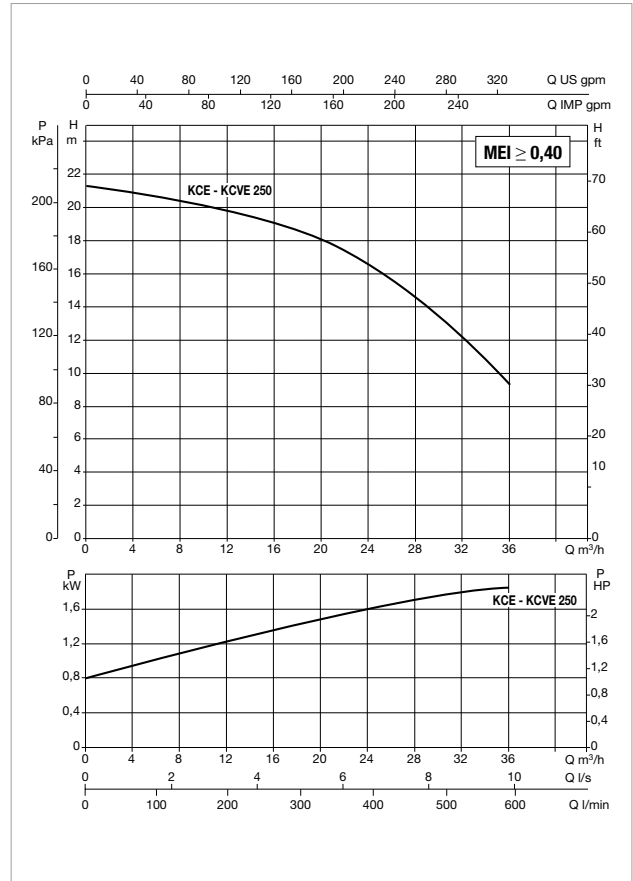
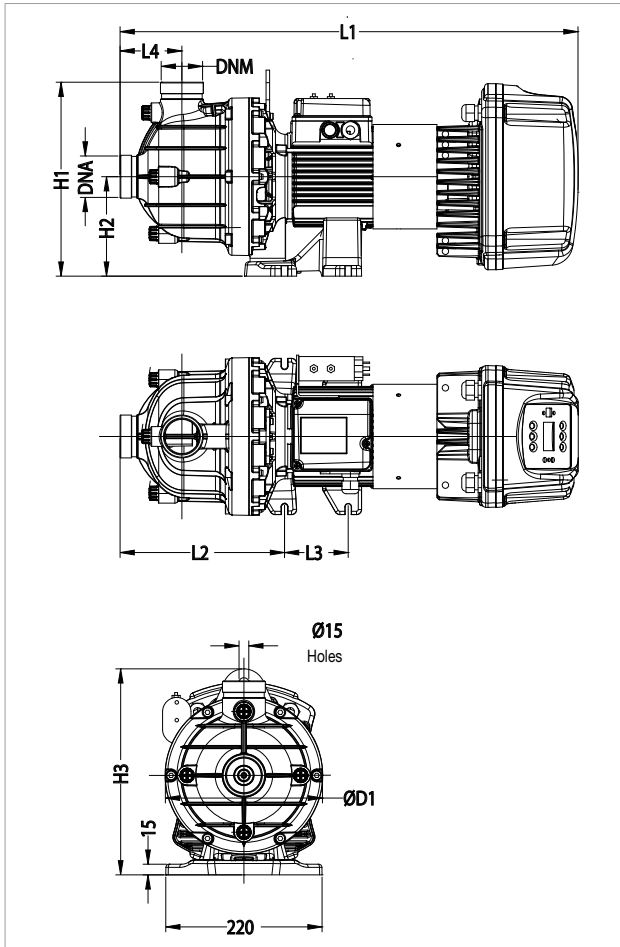
MODEL	Q=m ³ /h	0	10	15	20	25	30
	Q=l/min	0	167	250	333	417	500
KCE / KCVE 200 T	H (m)	16,8	15,7	15	14	11,8	9

MODEL	ELECTRICAL DATA				PUMP CONFIGURATION
	POWER INPUT 50-60 Hz	P1 MAX W	P2 NOMINAL kW	In A	
KCE 200 M MCE15/C IE2	1x220-240 V ~	1,40	1,10	10,9	230D
KCE 200 T MCE30/C IE2	3 x 400 V ~	1,40	1,10	t.b.d.	230D
KCVE 200 M MCE15/C IE2	1x220-240 V ~	1,40	1,10	10,9	230D
KCVE 200 T MCE30/C IE2	3 x 400 V ~	1,40	1,10	t.b.d.	230D

MODEL	L1	L2	L3	L4	H1	H2	H3	D1	DNA	DNM	PACKING DIMENSIONS			VOLUME (m ³)	WEIGHT kg
											L/A	L/B	H		
KCE 200 M MCE15/C IE2	639	231	74	87	273	140	290	222	2" M-GAS	2" M-GAS	670	420	601	0,17	30,8
KCE 200 T MCE30/C IE2	639	231	74	87	273	140	290	222	2" M-GAS	2" M-GAS	670	420	601	0,17	30,8
KCVE 200 M MCE15/C IE2	639	231	74	87	273	140	290	222	2" Victaulic	2" Victaulic	670	420	601	0,17	30,8
KCVE 200 T MCE30/C IE2	639	231	74	87	273	140	290	222	2" Victaulic	2" Victaulic	670	420	601	0,17	30,8

KCE / KCVE 250 - COMPOSITE MATERIAL CENTRIFUGAL ELECTRONIC PUMPS FOR AIR CONDITIONING AND REFRIGERATION SYSTEMS - SINGLE, THREADED, WITH MCE/C INVERTER

Pumped liquid temperature range: from -10 °C to +55°C - Maximum ambient temperature: +40°C



The performance curves are based on kinematic viscosity values = 1 mm²/s and density equal to 1000 kg/m³. Curve tolerance according to ISO 9906.

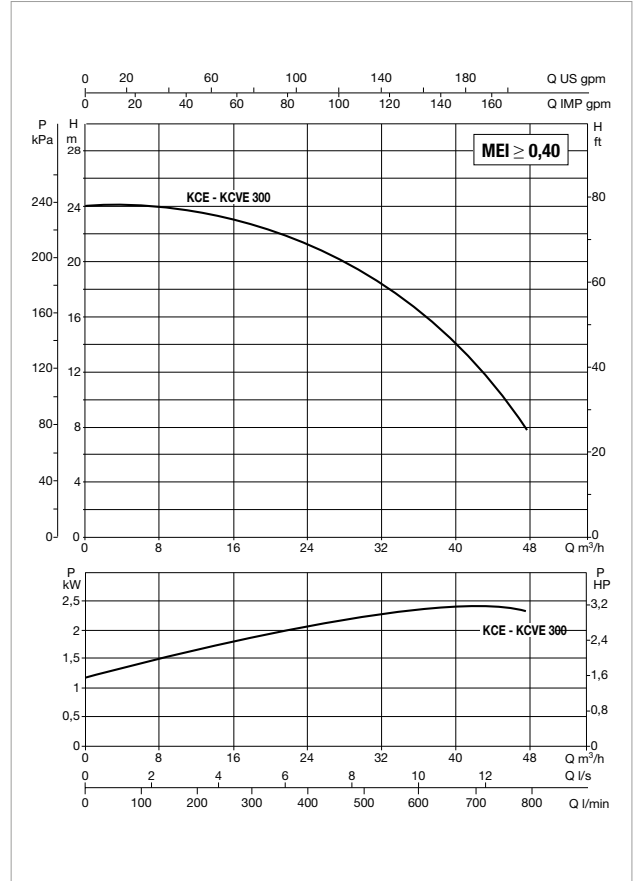
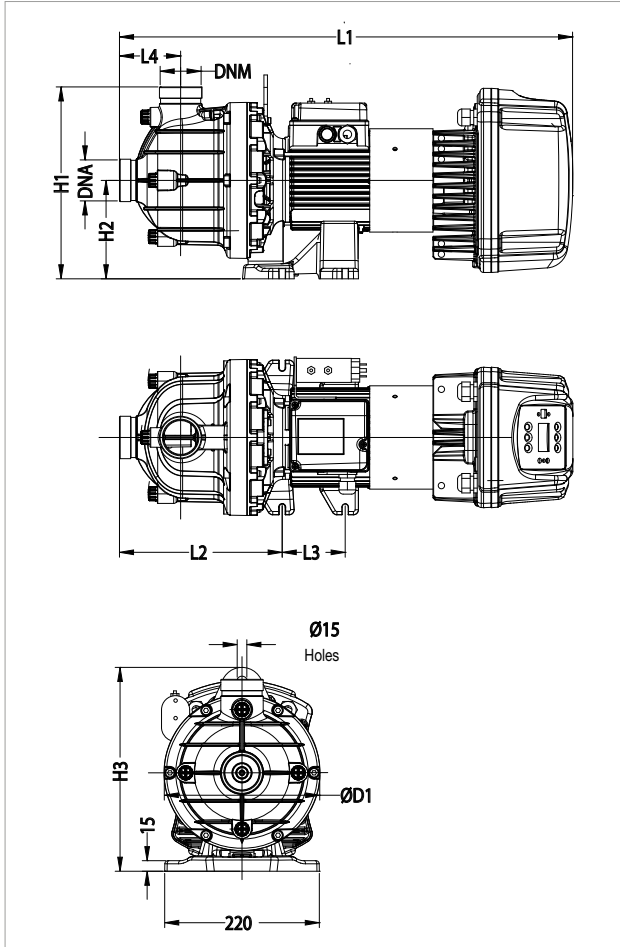
MODEL	Q=m ³ /h	0	10	15	20	25	30
	Q=l/min	0	167	250	333	417	500
KCE / KCVE 250 T	H (m)	21	20	19,1	17,7	15,5	12

MODEL	ELECTRICAL DATA				PUMP CONFIGURATION
	POWER INPUT 50-60 Hz	P1 MAX W	P2 NOMINAL kW	In A	
KCE 250 M MCE22/C IE2	1x220-240 V ~	2,03	1,84	14,9	230D
KCE 250 T MCE30/C IE2	3 x 400 V ~	2,03	1,84	t.b.d.	230D
KCVE 250 M MCE22/C IE2	1x220-240 V ~	2,03	1,84	14,9	230D
KCVE 250 T MCE30/C IE2	3 x 400 V ~	2,03	1,84	t.b.d.	230D

MODEL	L1	L2	L3	L4	H1	H2	H3	D1	DNA	DNM	PACKING DIMENSIONS			VOLUME (m ³)	WEIGHT kg
											L/A	L/B	H		
KCE 250 M MCE22/C IE2	713	231	74	87	273	140	290	222	2" M-GAS	2" M-GAS	670	420	601	0,17	32,5
KCE 250 T MCE30/C IE2	713	231	74	87	273	140	290	222	2" M-GAS	2" M-GAS	670	420	601	0,17	32,5
KCVE 250 M MCE22/C IE2	713	231	74	87	273	140	290	222	2" Victaulic	2" Victaulic	670	420	601	0,17	32,5
KCVE 250 T MCE30/C IE2	713	231	74	87	273	140	290	222	2" Victaulic	2" Victaulic	670	420	601	0,17	32,5

KCE / KCVE 300 - COMPOSITE MATERIAL CENTRIFUGAL ELECTRONIC PUMPS FOR AIR CONDITIONING AND REFRIGERATION SYSTEMS - SINGLE, THREADED, WITH MCE/C INVERTER

Pumped liquid temperature range: from -10 °C to +55°C - Maximum ambient temperature: +40°C



The performance curves are based on kinematic viscosity values = 1 mm²/s and density equal to 1000 kg/m³. Curve tolerance according to ISO 9906.

MODEL	Q=m ³ /h	0	15	20	25	30	40
	Q=l/min	0	250	333	417	500	667
KCE / KCVE 300 T	H (m)	24,3	23,4	22,5	21,3	19,5	13,9

MODEL	ELECTRICAL DATA				PUMP CONFIGURATION
	POWER INPUT 50-60 Hz	P1 MAX W	P2 NOMINAL kW	In A	
KCE 300 T MCE30/C IE2	3 x 400 V ~	2,90	2,20	6,8	400S
KCVE 300 T MCE30/C IE2	3 x 400 V ~	2,90	2,20	6,8	400S

MODEL	L1	L2	L3	L4	H1	H2	H3	D1	DNA	DNM	PACKING DIMENSIONS			VOLUME (m ³)	WEIGHT kg
											L/A	L/B	H		
KCE 300 T MCE30/C IE2	763	282	177	114	355	170	320	300	2" M-GAS	2" M-GAS	670	420	601	0,17	32,5
KCVE 300 T MCE30/C IE2	763	282	177	114	355	170	320	300	2" Victaulic	2" Victaulic	670	420	601	0,17	32,5

HYDRAULIC EFFICIENCY

EU 547/2012 REGULATION - MEI

GENERAL INFORMATION

The MEI index (Minimum Efficiency Index) was issued with the objective of defining a performance threshold value applicable to all the water pumps found on the market. The MEI index takes into account the size of the pump, its specific speed, and its speed of rotation. The regulation applies to centrifugal pumps used for pumping clean waters included in the following categories:

- Axial suction pumps with support (ESOB)
- Horizontal monobloc axial suction pumps (ESCC)
- In-line monobloc axial suction pumps (ESCCI)
- Multistage vertical pumps (MS-V)
- Multistage submerged pumps (MSS)

MEI is a dimensionless indicator for hydraulic performance, and a measure of the quality of the sizing of the pump in relation to the performance. The higher the MEI value, the better is the sizing of the pump in relation to the performance, and the lower is the annual energy consumption due to the use of the pump. In theory, the upper limit of the MEI values is open, and only depends on physical and technological limitations.

The minimum efficiency index (MEI) is based on the maximum diameter of the impeller.

The value of reference for the more efficient water pumps is $MEI \geq 0,70$.

The efficiency of a pump with turned impeller is generally lower to that of a pump with full impeller diameter. The turning of the impeller adapts the pump to a fixed point of operation, resulting in lower energy consumption.

The operation of this water pump with variable operating points can be more efficient and economical if controlled, for example, by means of a variable speed motor adapting the operation of the pump to the system.

The information on the efficiency of reference can be found at the address: www.dabpumps.com. In alternative contact your local sales representatives.

The $MEI=0,7$ and $MEI=0,4$ efficiency charts for the different types of pumps can be found at the website: www.europump.org/efficiencycharts

		PUMP MODEL	IMPELLER	MEI	η_{PL}	η_{BEP}	η_{OL}
DN 40	2p	KLPE 40/1200	Full	$\geq 0,40$	56,6	59,5	58,5
		KLPE 40/600	Turned		48,2	51,2	50,6

		PUMP MODEL	IMPELLER	MEI	η_{PL}	η_{BEP}	η_{OL}
DN 50	2p	KLPE 50/1200	Full	$\geq 0,40$	62,8	65,4	64,8
	4p	KLME 50/600	Full	$\geq 0,40$	57,6	61,6	61,1

		PUMP MODEL	IMPELLER	MEI	η_{PL}	η_{BEP}	η_{OL}
DN 65	2p	KLPE 65/1200	Full	$\geq 0,40$	64,5	69,2	68,1
	4p	KLME 65/600	Full	$\geq 0,40$	65,9	68,6	67,9

		PUMP MODEL	IMPELLER	MEI	η_{PL}	η_{BEP}	η_{OL}
DN 80	2p	KLPE 80/1200	Full	$\geq 0,40$	66,6	70,6	69,2
	4p	KLME 80/600	Full	$\geq 0,40$	70,4	73,1	72,6

HYDRAULIC EFFICIENCY

EU 547/2012 REGULATION - MEI

		PUMP MODEL	IMPELLER	MEI	η PL	η BEP	η OL
DN 40	2p	CPE 40/6200	Full	$\geq 0,40$	51,5	54,0	52,9
		CPE 40/5500	Turned		50,5	53,0	52,0
		CPE 40/4700	Turned		49,0	52,0	51,3
		CPE 40/3500	Full	$\geq 0,60$	53,5	56,6	56,3
		CPE 40/2300	Turned		52,1	54,7	54,0
		DCPE 40/2450 T	Full	$\geq 0,40$	57,3	60,8	60,4
	DCPE 40/1650 T	Turned	51,0		53,1	52,6	
	4p	CME 40-1450	Full	$\geq 0,40$	51,5	55,0	54,0
		CME 40-870	Full	$\geq 0,60$	52,7	55,5	55,1
DCME 40-620 T		Full	$\geq 0,40$	61,8	64,5	64,1	

		PUMP MODEL	IMPELLER	MEI	η PL	η BEP	η OL
DN 50	2p	CPE 50/5650	Full	$\geq 0,40$	55,1	58,0	57,2
		CPE 50/4600	Turned		52,6	56,3	55,1
		CPE 50/4100	Full	$\geq 0,60$	54,1	57,1	56,7
		CPE 50/2600	Turned		47,2	51,7	51,1
		DCP 50/2450 T	Full	$\geq 0,40$	63,8	67,4	66,6
		DCP 50/1550 T	Turned		61,8	65,0	64,5
	DCP 50/3650 T	Full	$\geq 0,40$	61,8	67,1	64,0	
	4p	CME 50-1420	Full	$\geq 0,40$	57,0	59,0	58,0
		CME 50-1000	Full	$\geq 0,60$	50,0	52,8	52,3
		DCME 50-880 T	Full	$\geq 0,40$	57,2	60,2	59,6
		DCME 50-460 T	Turned	$\geq 0,40$	59,9	62,3	61,8

		PUMP MODEL	IMPELLER	MEI	η PL	η BEP	η OL
DN 65	2p	CP-GE 65- 5500	Turned	$\geq 0,60$	62,9	66,2	65,4
		CP-GE 65- 4700	Turned		56,9	59,6	59,1
		CP-GE 65- 4100	Full	$\geq 0,60$	67,9	71,2	70,7
		CP-GE 65- 3400	Turned		66,6	71,0	70,0
		CP-GE 65- 2640	Turned		66,3	69,5	69,5
		CP-GE 65- 2280	Turned		65,6	68,5	68,5
		CP-GE 65- 1470	Turned		63,5	67,3	66,7
	4p	CM-GE 65- 2380	Full	$\geq 0,60$	70,6	71,9	71,7
		CM-GE 65- 1680	Turned		68,5	70,6	70,2
		CM-GE 65- 1200	Turned	58,8	61,5	61,0	
		CM-GE 65- 920	Full	$\geq 0,60$	68,8	72,2	71,5
		CM-GE 65- 660	Turned		64,0	67,0	66,0

HYDRAULIC EFFICIENCY

EU 547/2012 REGULATION - MEI

		PUMP MODEL	IMPELLER	MEI	η_{PL}	η_{BEP}	η_{OL}
DN 80	2p	CP-GE 80- 4000	Full	$\geq 0,60$	74,7	79,2	78,3
		CP-GE 80- 3250	Turned		72,3	76,7	75,8
		CP-GE 80- 2770	Turned		71,2	75,3	74,5
		CP-GE 80- 2400	Full	$\geq 0,60$	75,4	78,8	78,5
		CP-GE 80- 2050	Turned		73,6	78,2	76,9
		CP-GE 80- 1400	Turned		57,0	61,2	60,4
	4p	CM-GE 80- 3420	Full	$\geq 0,60$	68,5	71,6	71,0
		CM-GE 80- 2700	Turned		65,9	70,6	69,8
		CM-GE 80- 2410	Full	$\geq 0,40$	65,8	69,4	68,8
		CM-GE 80- 1700	Full	$\geq 0,60$	82,0	83,5	83,3
		CM-GE 80- 1530	Turned		75,8	78,6	77,9
		CM-GE 80- 890	Turned	$\geq 0,60$	73,0	76,8	76,1
		CM-GE 80- 650	Full	$\geq 0,60$	72,9	75,7	75,1

		PUMP MODEL	IMPELLER	MEI	η_{PL}	η_{BEP}	η_{OL}
DN 100	2p	CP-GE 100- 3050	Turned	$\geq 0,50$	71,7	76,9	76,1
		CP-GE 100- 2400	Turned		66,1	71,8	70,9
		CP-GE 100- 2350	Full	$\geq 0,40$	71,2	76,3	75,5
		CP-GE 100- 1950	Turned		68,7	73,2	72,4
		CP-GE 100- 1600	Turned		64,6	67,1	66,5
	4p	CM-GE 100- 3290	Turned	$\geq 0,40$	68,0	73,0	72,5
		CM-GE 100- 2550	Full	$\geq 0,40$	72,5	76,1	75,2
		CM-GE 100- 2050	Turned		70,7	75,0	74,1
		CM-GE 100- 1650	Full	$\geq 0,50$	71,7	76,3	75,5
		CM-GE 100- 1320	Turned		69,0	74,3	72,5
		CM-GE 100- 1020	Full	$\geq 0,60$	81,2	85,0	84,3
		CM-GE 100- 865	Turned		68,2	74,6	73,5
		CM-GE 100- 510	Turned		$\geq 0,60$	65,1	70,9

HYDRAULIC EFFICIENCY

EU 547/2012 REGULATION - MEI

		PUMP MODEL	IMPELLER	MEI	η PL	η BEP	η OL
DN 125	4p	CM-GE 125- 2550	Full	$\geq 0,40$	69,9	73,2	72,2
		CM-GE 125- 2100	Turned		66,8	69,4	69,1
		CM-GE 125- 1560	Full	$\geq 0,60$	78,5	85,0	84,0
		CM-GE 125- 1270	Turned		73,3	78,0	77,1
		CM-GE 125- 1075	Turned		72,3	77,0	76,2


		PUMP MODEL	IMPELLER	MEI	η PL	η BEP	η OL
DN 150	4p	CM-GE 150- 1950	Turned	$\geq 0,60$	75,9	80,6	79,7
		CM-GE 150- 1600	Turned		72,2	77,1	76,3
		CM-GE 150- 1322	Turned		70,8	74,6	73,3
		CM-GE 150- 955	Turned		63,7	66,9	66,4

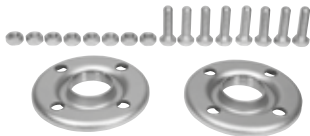

PUMP MODEL	IMPELLER	MEI	η PL	η BEP	η OL
KCE/KCVE 300	Full	$\geq 0,40$	65,5	71,8	70,4
KCE/KCVE 250	Full		63,4	66,9	66,5
KCE/KCVE 200	Turned		59,3	63,9	62,9
KCE/KCVE 150	Turned		58,9	62,5	61,4

ACCESSORIES

ACCESSORIES

ELECTRONIC IN-LINE PUMPS

PORT KIT	DESCRIPTIONS	MODEL	WEIGHT kg	Q.TY X BOX
	1" 1/4 F PORT KIT	ALME - ALPE	0,7	24

COUNTER FLANGE KIT *	DESCRIPTION	MODEL	WEIGHT kg	Q.TY X PALLET
 <p>DN50 PN10 COUNTERFLANGE KIT</p>  <p>DN80 - PN16 COUNTERFLANGE KIT</p>	DN 40 - PN 10 COUNTERFLANGE KIT	KLPE 40/600 - DKLPE 40/600 KLPE 40/1200 - DKLPE 40/1200	2,4	180
	DN50 PN10 COUNTERFLANGE KIT	KLME50/600 - DKLME 50/600 KLPE 50/1200 - DKLPE 50/1200	3,2	180
	DN65 PN10 COUNTERFLANGE KIT	KLME 65/600 - DKLME 65/600 KLPE 65/1200 - DKLPE 65/1200	4,0	180
	DN80 PN10 COUNTERFLANGE KIT	KLME 80/600 - DKLME 80/600 KLPE 80/1200 - DKLPE 80/1200	4,8	180
	DN 40 - PN 16 COUNTERFLANGE KIT	CME 40 - CPE 40	5,3	90
	DN50 - PN16 COUNTERFLANGE KIT	CME 50 - CPE 50	6,3	90
	DN65 - PN16 COUNTERFLANGE KIT	CME 65 - CM-GE 65 - CP-GE 65	7,5	90
	DN 80 - PN 16 COUNTERFLANGE KIT	CM-GE 80 - CP-GE 80	9,5	64
	DN100 - PN16 COUNTERFLANGE KIT	CM-GE 100 - CP-GE 100	10,9	64
	DN125 - PN16 COUNTERFLANGE KIT	CM-GE 125 - CP-GE 125	14,5	40
DN150 - PN16 COUNTERFLANGE KIT	CM-GE 150 - CP-GE 150	18,6	40	

* The counter flange kit includes: two counter flanges, nuts and bolts.

TECHNICAL APPENDIX

GENERAL INFORMATION

FUNDAMENTAL TERMS USED IN PUMPS

The following is a list of fundamental terms used in pumps and an explanation of their meanings. Their knowledge is necessary in order to discuss hydraulic pumps. All measurements are given in Technical units. Reference should be made to the chart for their international and Anglo-Saxon equivalents.

HEAD

Head means height, difference in level, gradient. For example if a pump has a flow of Q litres per second and a head of 30 metres, it means that it is capable of raising Q litres of liquid by 30 metres every second (therefore achieving a 30 metre gradient). For each given pump, the head is determined by its construction, such as the external diameter of the impeller and the speed of rotation, but it is not affected by the pumped liquid. This means that the pump as such can raise by 30 metres Q litres per second of water, petrol, mercury, etc.; the only difference in the three cases will be the power of the motor required.

SPECIFIC WEIGHT OF A LIQUID OR FLUID

The specific weight of a liquid or fluid is the weight per unit volume of the liquid/fluid. Specific weight is usually measured in kg/dm³ or kg/l, remembering that 1 dm³ equals 1 litre.

PRESSURE

Pressure means weight per unit of area (e.g. kg/cm²), and it should not be confused with head. In the case of liquids, the pressure that the liquid exerts on a surface is given by the product of the head (or height) of the liquid, multiplied by its specific weight. For this reason, the column of several km of air on the earth's surface produces at sea level a pressure of about 1kg/cm² (equal to approx. 1 atmosphere). If the same column were of water rather than air, the pressure would be some 700 to 800 times greater, due to the fact that water has a specific weight approximately 700-800 times greater than that of air.

Bearing in mind that a column of water 10 m high is equivalent to approx. 1 kg/cm², if we placed a manometer on the delivery of the pump, the following pressure increases would be measured:

- | | |
|--|---|
| a) with petrol (specific weight 0,7 kg/dm ³) | = 00,7 x 0,001 x 30 x 100 = 2,1 kg/cm ² |
| b) with water (specific weight 1,0 kg/dm ³) | = 00,1 x 0,001 x 30 x 100 = 3,0 kg/cm ² |
| c) with mercury (specific weight 13,6 kg/dm ³) | = 13,6 x 0,001 x 30 x 100 = 40,8 kg/cm ² |

FLOW

Flow means the quantity of liquid or fluid that passes through a point, such as the delivery outlet of a pump, or a cross section of a pipe, in the set unit of time.

This can be measured in litres per minute (l/min), litres per second (l/s), cubic metres per hour (m³/h) etc.

It should be noted that there is a perfect analogy between the flow of water through a pipe and the flow of electricity through a wire. It is sufficient to remember that hydraulic head is equivalent to electrical potential or voltage, and hydraulic flow is equivalent to electric current or amperes in electrotechnics. Even their behaviour is the same. Just as a thin wire restricts the flow of electricity more than one with a larger section, in the same way, a pipe of a smaller diameter offers a greater resistance to the flow of a liquid than one of a larger one. Just as the passage of electric current through the wire to a cable needs a voltage difference, in the same way, the flow of a liquid or fluid through a pipe needs a certain head.

There will never be a movement of liquid between two points of a perfectly horizontal pipe, and with the liquid at the same head in both points. This is due to the fact that, in the same way as the cable exerts a certain resistance to the passage of the electric current (electric resistance), the pipe also exerts a certain resistance to the passage of the fluid, the extent of which depends on the quality of the pipe (material, shape, presence of scale) and its section, and therefore the speed at which the fluid runs through the pipe. This resistance is called head loss.

HEAD LOSS

Head loss is that part of the head, possessed by the liquid, which is lost when passing through a pipe, a valve, a filter, etc. This loss cannot be recovered, as it is lost due to friction. Going back to the analogy between electrical and hydraulic phenomena, just as the losses in a cable increase in proportion with the current, so head losses are proportionally greater as the speed of the liquid increases. This means that the more the flow is restricted by scaled pipes, clogged filters, partially closed valves etc. the greater the head loss will be.

PUMP

A pump is a machine used to give a certain head to a liquid that passes through it. The head can be used to raise the liquid to a higher level, or to make it flow inside a pipe, or even in the open air, so that it covers a certain distance. The characteristics of a pump are:

- Flow** (the quantity of liquid that is moved through the pump in a unit of time)
- Head** (that is the height at which the pump is capable lifting the flow)

Based on the existing relationship between the flow and the head, it is possible to have:

- Pumps with small flow and large head (piston pumps, rotary pumps, small centrifugal pumps).
- Pumps with medium flow and medium head (centrifugal pumps in general).
- Pumps with large flow and small head (helico-centrifugal pumps, propeller pumps).

Centrifugal pumps, helico-centrifugal pumps and propeller pumps have a rotary motion and their speed is universally measured in revolutions per minute

(rpm). With these machines operating at a given speed, for each given value of flow, there is only one value of head. This means that in order to increase or decrease the performance of these types of pumps, the operating speed must be varied accordingly. Basically, the liquid passing through the pump is supplied with energy that is related to the head and the speed of the liquid itself. This energy supplied within the unit of time is known as delivered power.

DELIVERED POWER

The delivered power is the power delivered by the pump to the liquid. The value of this delivered power depends on three factors: flow, head, and specific weight of the pumped liquid. The higher these three factors, the higher is the power delivered by the pump. For example, a pump delivering petrol does less work than when delivering sulphuric acid, because the specific weights of the two liquids are different.

In order to pump a liquid, a pump must be driven by a motor. In the vast majority of cases, this is either an electric, or an internal combustion motor. Electric motors use electric power, while internal combustion motors (engines) use oil or oil derivative fuels. The power that the pump needs in order to operate is called absorbed power.

DELIVERED POWER CALCULATION

Delivered power is normally expressed in kW or HP, indicating with:

Q = the flow

H = the head in metres of the column of liquid (m.c.l.)

γ = the specific weight of the liquid

The delivered power (P3) is calculated using one of the following equations:

$$P3 = \frac{\gamma \text{ (kg/dm}^3\text{)} \times Q \text{ (l/s)} \times H \text{ (m.c.l.)}}{75} \text{ in HP}$$

$$P3 = \frac{\gamma \text{ (kg/dm}^3\text{)} \times Q \text{ (m}^3\text{/h)} \times H \text{ (m.c.l.)}}{270} \text{ in HP}$$

$$P3 = \frac{\gamma \text{ (kg/dm}^3\text{)} \times Q \text{ (l/s)} \times H \text{ (m.c.l.)}}{102} \text{ in kW}$$

$$P3 = \frac{\gamma \text{ (kg/dm}^3\text{)} \times Q \text{ (l/min)} \times H \text{ (m.c.l.)}}{4500} \text{ in HP}$$

$$P3 = \frac{\gamma \text{ (kg/dm}^3\text{)} \times Q \text{ (m}^3\text{/h)} \times H \text{ (m.c.l.)}}{367} \text{ in kW}$$

$$P3 = \frac{\gamma \text{ (kg/dm}^3\text{)} \times Q \text{ (l/min)} \times H \text{ (m.c.l.)}}{6120} \text{ in kW}$$

ABSORBED POWER

Absorbed power is the power that the pump absorbs from the motor, to give to the liquid the delivered power discussed above.

Not all the absorbed power becomes delivered power, as some power is lost through friction, and even more within the pump itself, due to hydraulic losses. It is therefore clear that the delivered power is always less than the absorbed power, and the relation between the two is a number always lower than 1. This number is known as the efficiency.

YIELD

The efficiency is obtained by dividing the delivered power by the absorbed power, and is normally expressed as a percentage. For example, an efficiency of 75 % of a pump indicates that only 75 % of the absorbed power is converted into delivered power, with the remaining 25 % being lost due to friction. Therefore, the higher the efficiency of a pump, the smaller the portion of absorbed power being lost. If one then considers that the cost of energy relates to the absorbed power, it immediately becomes apparent just how important efficiency is. If we compare two pumps with the same 1 HP delivered power, but with an efficiency of 50 % for the first, and 60 % for the second, we can assume that the first one will need 2 HP to supply 1, while the second will only need 1,67 HP to achieve the same result. This means that the efficiency of a pump expresses, better than any other parameter, the quality of the pump and the related savings in terms of operating costs.

CALCULATION OF POWER OUTPUTS

P1: is the power absorbed by the motor in kW (generally indicated by the wattmeter).

P2: the power delivered by the motor in kW. This is measured at the brake (it basically is the power absorbed by the pump).

P3: the power delivered by the pump in kW.

$$\text{Power output of the motor } \eta = \frac{P_2}{P_1}$$

$$\text{Power output of the motor } \eta = \frac{P_3}{P_2}$$

$$\text{Power output of the motor } \eta = \frac{P_3}{P_1}$$

THE HEAD OF A PUMP AND ITS MEASUREMENT

The head of a pump is always the differential head, or that given by the pump itself. This is generally expressed in metres. In order to ascertain the head of a surface pump, during its operation it is necessary to measure the value of the head both at the suction and at the delivery of the pump itself, making sure that the readings are taken at the same level, which is called the reference plane. Two cases are possible, depending on installation:

- 1) the value of the head at the suction is negative (i.e. below zero shown on the manometer): in this case, the level of the liquid collected is lower than the level of the suction inlet.
- 2) the value of the head at the suction is positive (i.e. above zero shown on the manometer) in this case, the level of the liquid collected is higher than the level of the suction inlet (flooded suction).

In the first case the head of the pump is given by the sum of the two readings, while in the second it is given by subtracting the value of the head at the suction inlet from the value at the delivery outlet.

Finally, it is necessary to make sure that the readings at the suction and the delivery have been taken from apertures of the same diameter, so that they are not distorted by a difference in the speed of the liquid at the point of measurement. Any correction is made by calculating the dynamic head, or that part of the head linked with the speed of the liquid, which means that part of the head that the liquid possesses at the measuring section, due to the fact that it is moving. The dynamic head H_d , expressed in metres, is calculated using the following formula:

$$H_d = \frac{v^2}{2g}$$

where: v = speed of the fluid at the measuring point, given in m/s

g = acceleration of gravity (9,81), expressed in m/s^2

$2g = 2 \times 9,81 = 19,62 \text{ m/s}^2$

The correction of the head is given by the difference between the dynamic head at the delivery, and the dynamic head at the suction. It is therefore clear that if the readings upstream and downstream the pump have been taken on pipes of the same diameter, and therefore with the liquid flowing at the same speed, the correction is zero.

For submersible impeller pumps, it is sufficient, during operation, to measure the head at the delivery outlet. In this case, the head of the pump is then given by adding the value read to the dynamic head (at the delivery outlet), and to the difference in level between the free surface of the liquid collected and the manometer.

VARIATION IN PUMP HEAD IN RELATION TO SPEED VARIATION

The performance of a pump is directly connected to its speed in rpm (n). Providing that there is no cavitation, the law of similarity may be used, which is expressed as follows:

$$Q_x = Q \times \frac{n_x}{n}$$

$$H_x = H \times \left(\frac{n_x}{n}\right)^2$$

$$P_{2-x} = P_2 \times \left(\frac{n_x}{n}\right)^3$$

For example, when doubling the number of revolutions (n_x) one obtains:

Q_x = the value of the flow doubles

H_x = the value of the head is 4 times higher

P_{2-x} = the value of the absorbed power is 8 times higher

$Q - H - P_2$ are the values at speed n

$Q_x - H_x - P_{2-x}$ are the values at speed n_x .

NOTES ON THE MOTORS OF ELECTRIC PUMPS

INDEX OF SYMBOLS USED	
P_1	: POWER ABSORBED BY THE MOTOR IN KW.
P_2	: POWER DELIVERED BY THE MOTOR IN KW OR HP.
$V \sim$	= AC POWER INPUT VOLTAGE AT THE MAINS.
Hz	= FREQUENCY IN CYCLES PER SECOND OF THE POWER INPUT VOLTAGE.
I	= CURRENT ABSORBED BY THE MOTOR IN AMPERES.
$\cos\varphi$	= POWER FACTOR.
$n^{1/min}$	= SPEED OF ROTATION IN RPM.
η	= OUTPUT POWER (RELATION BETWEEN DEVELOPED POWER AND ABSORBED POWER P_2/P_1).
p	= NUMBER OF POLES OF THE MOTOR.
Cn	= NOMINAL TORQUE OF THE MOTOR.

NO-LOAD SPEED OF ROTATION

The no-load speed of single-phase and three-phase electric induction motors is given by the formula:

$$n^{1/min} = \frac{120 \times \text{Hz}}{p}$$

No-load speed of rotation $n^{1/min}$

FREQUENCY Hz	2 POLES	4 POLES
50	3000	1500
60	3600	1800

The full-load speed is 2 to 7 % lower than the no-load speed (2 to 7 % sliding).

CURRENT ABSORBED

$$\text{Single-phase: } I = \frac{1000 \times P_2 \text{ (kW)}}{V \times \cos\varphi \times \eta} \quad \text{or: } I = \frac{736 \times P_2 \text{ (HP)}}{V \times \cos\varphi \times \eta}$$

$$\text{Three-phase: } I = \frac{1000 \times P_2 \text{ (kW)}}{1.73 \times V \times \cos\varphi \times \eta} \quad \text{or: } I = \frac{736 \times P_2 \text{ (HP)}}{1.73 \times V \times \cos\varphi \times \eta}$$

ABSORBED POWER

$$\text{Single-phase: } P_1 \text{ (kW)} = \frac{V \times I \times \cos\varphi}{1000}$$

$$\text{Three-phase: } P_1 \text{ (kW)} = \frac{1.73 \times V \times I \times \cos\varphi}{1000}$$

POWER DELIVERED AT THE MOTOR AXIS

$$\text{Single-phase: } P_2 \text{ (kW)} = \frac{V \times I \times \cos\varphi \times \eta}{1000} \quad \text{or: } P_2 \text{ (HP)} = \frac{V \times I \times \cos\varphi \times \eta}{736}$$

$$\text{Three-phase: } P_2 \text{ (kW)} = \frac{1.73 \times V \times I \times \cos\varphi \times \eta}{1000} \quad \text{or: } P_2 \text{ (HP)} = \frac{1.73 \times V \times I \times \cos\varphi \times \eta}{736}$$

YIELD

$$\eta = \frac{P_2 \text{ (kW)}}{P_1 \text{ (kW)}}$$

POWER FACTOR

$$\text{Single-phase: } \cos\varphi = \frac{P_2 (\text{kW}) \times 1000}{V \times I \times \eta}$$

$$\text{or: } \cos\varphi = \frac{P_1 (\text{kW}) \times 1000}{V \times I}$$

$$\text{Three-phase: } \cos\varphi = \frac{P_2 (\text{kW}) \times 1000}{1,73 \times V \times I \times \eta}$$

$$\text{or: } \cos\varphi = \frac{P_1 (\text{kW}) \times 1000}{1,73 \times V \times I}$$

TORQUE FACTOR

$$C_n = \frac{P_2 (\text{kW}) \times 1000}{1,027 \times n^{1/\text{min}}} \text{ in kgm}$$

$$C_n = \frac{P_2 (\text{HP}) \times 736}{1,027 \times n^{1/\text{min}}} \text{ in kgm}$$

$$C_n = \frac{702 \times \text{HP}}{n^{1/\text{min}}} \text{ in decaNewtonmetres}$$

RELATIONSHIP BETWEEN KW AND HP

$$1 \text{ HP} = 0,736 \text{ kW}$$

$$1 \text{ kW} = 1,36 \text{ HP}$$

$$\frac{\text{HP}}{1,36} = \text{kW}$$

$$\text{kW} \times 1,36 = \text{HP}$$

STARTING CURRENT (ISP)

The starting current (at switch on) of a motor is 4 to 8 times greater than the nominal current, depending on the power of the motor.

$$I_{sp} = I_n \times 4 \div 8$$

DETAILS ON CAPACITORS

The approximate current absorbed by a capacitor is:

$$I = \frac{6,28 \times F \times C \times V}{1.000.000}$$

Where:

I = current in Amps absorbed by the capacitor.

F = frequency in Hz of the applied voltage.

C = capacity of capacitor μF .

V = applied voltage.

Example:

The current absorbed by a 14 μF capacitor connected to a 220 Volt - 50 Hz power input is:

$$I = \frac{6,28 \times 50 \times 14 \times 220}{1.000.000} = 0,96 \text{ Amperes}$$

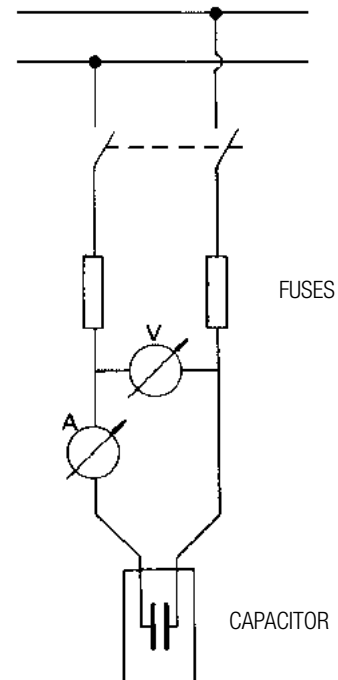
The approximate capacity of a capacitor is determined by:

$$C = \frac{I}{6,28 \times F \times V} \times 1,000,000$$

Example:

The capacity of a capacitor absorbing 1,4 Amps connected to a 220 Volt - 50 Hz power input is:

$$C = \frac{1,4}{6,28 \times 50 \times 220} \times 1,000,000 = 20,2 \mu\text{F}$$



STAR-DELTA START-UP

The normally delta Δ connected motor is connected to the network using a star type connection. The current and the starting torque are both reduced to 1/3 of the value they would be if delta Δ connected.

PROTECTION

It is recommended that motors are connected to the power input network using appropriate three-fuse thermal magnetic circuit breakers, or in any case circuit breakers complying with current local regulations.

LOAD LOSS AND SPEED TABLE

In order to accurately calculate **load losses and speed**, the following table is used:

FLOW			NEW GALVANISED PIPING									
			NOMINAL DIAMETERS: INCHES AND MM									
l/s	l/min	m³/h	1/2"	3/4"	1"	1"1/4	1"1/2	2"	2"1/2	3"	3"1/2	4"
			15,75	21,25	27	35,75	41,25	52,5	68	80,25	92,5	105
0,17	10	0,6	0,856	0,47	0,291							
			9,01	20,9	0,65							
0,25	15	0,9	1,284	0,705	0,4387	0,249						
			19,07	4,43	1,38	0,35						
0,33	20	1,2	1,712	0,94	0,582	0,332	0,25					
			32,47	7,55	2,35	0,6	0,3					
0,42	25	1,5	2,14	1,175	0,728	0,415	0,31					
			49,06	11,41	3,55	0,91	0,45					
0,5	30	1,8	2,568	1,411	0,874	0,498	0,37	0,23				
			68,74	15,98	4,98	1,27	0,63	0,2				
0,58	35	2,1	2,996	1,646	1,019	0,581	0,44	0,27				
			91,42	21,26	6,62	1,69	0,84	0,26				
0,67	40	2,4		1,881	1,165	0,664	0,5	0,31				
				27,22	8,48	2,16	1,08	0,33				
0,83	50	3		2,351	1,456	0,831	0,62	0,39	0,23			
				41,13	12,81	3,27	1,63	0,5	0,14			
1	60	3,6		2,821	1,747	0,997	0,75	0,46	0,28			
				57,63	17,95	4,58	2,28	0,7	0,2			
1,17	70	4,2		3,291	2,039	1,163	0,87	0,54	0,32	0,23		
				76,64	23,88	6,08	3,03	0,94	0,27	0,12		
1,33	80	4,8			2,33	1,329	1	0,62	0,37	0,26		
					30,57	7,79	3,88	1,2	34	0,15		
1,5	90	5,4			2,621	1,495	1,12	0,69	0,41	0,3		
					38,01	9,69	4,83	1,49	0,42	0,19		
1,67	100	6			2,912	1,661	1,25	0,77	0,46	0,33	0,25	
					46,19	11,77	5,86	1,81	0,51	0,23	0,11	
2,08	125	7,5			3,641	2,077	1,56	0,96	0,57	0,41	0,31	0,24
					69,79	17,79	8,86	2,74	0,78	0,35	0,17	0,09
2,5	150	9				2,492	1,87	1,16	0,69	0,49	0,37	0,29
						24,92	12,41	3,84	1,09	0,49	0,24	0,13
2,92	175	10,5				2,907	2,18	1,35	0,8	0,58	0,43	0,34
						33,15	16,51	5,1	1,45	0,65	0,32	0,17

White numbers: Load losses in m. for every 100 m of pipework

Green numbers: Water speed in m/sec

The table refers to galvanised pipework.

For other materials multiply as follows:

- 0,6 PVC pipes.
- 0,7 aluminium pipes.
- 0,8 laminated steel and stainless steel.

LOAD LOSS AND SPEED TABLE

In order to accurately calculate **load losses and speed**, the following table is used:

FLOW			NEW GALVANISED PIPING									
			NOMINAL DIAMETERS: INCHES AND MM									
l/s	l/min	m³/h	1"1/4	1"1/2	2"	2"1/2	3"	3"1/2	4"	5"	6"	8"
			35,75	41,25	52,5	68	80,25	92,5	105	130	155	206
3,33	200	12	3,322	2,5	1,54	0,92	0,66	0,5	0,39	0,25		
			42,43	21,14	6,53	1,85	0,83	0,41	0,22	0,08		
4,17	250	15	4,156	3,12	1,93	1,15	0,82	0,62	0,48	0,31		
			64,12	31,94	9,87	2,8	1,25	1,63	0,34	0,12		
5	300	18		3,74	2,31	1,38	0,99	0,74	0,58	0,38	0,27	
				44,75	13,83	3,92	1,75	0,88	0,47	0,17	0,07	
6,67	400	24		4,99	3,08	1,84	1,32	0,99	0,77	0,5	0,35	
				76,2	23,55	6,68	2,98	1,49	0,8	0,28	0,12	
8,33	500	30			3,85	2,3	1,65	1,24	0,96	0,63	0,44	
					35,58	10,09	4,51	2,26	1,22	0,43	0,18	
10	600	36			4,62	2,75	1,98	1,49	1,16	0,75	0,53	0,3
					49,85	14,14	6,31	3,16	1,7	0,6	0,26	0,06
11,67	700	42				3,21	2,31	1,74	1,35	0,88	0,62	0,35
						18,81	8,4	4,2	2,27	0,8	0,34	0,09
13,33	800	48				3,67	2,64	1,99	1,54	1,01	0,71	0,4
						24,08	10,75	5,38	2,9	1,03	0,44	0,11
15	900	54				4,13	2,97	2,23	1,73	1,13	0,8	0,45
						29,94	13,37	6,69	3,61	1,28	0,54	0,14
16,67	1000	60				4,59	3,3	2,48	1,93	1,26	0,88	0,5
						36,39	16,24	8,13	4,39	1,55	0,66	0,16
20,83	1250	75					4,12	3,1	2,41	1,57	1,1	0,63
							24,54	12,29	6,63	2,34	0,99	0,25
25	1500	90					4,95	3,72	2,89	1,88	1,33	0,75
							34,39	17,22	9,29	3,28	1,39	0,35
29,17	1750	105						4,34	3,37	2,2	1,55	0,88
								22,9	12,35	4,37	1,85	0,46
33,33	2000	120						4,96	3,85	2,5	1,77	1
								29,31	15,81	5,59	2,37	0,59
41,67	2500	150							4,81	3,14	2,21	1,25
									23,89	8,44	3,59	0,9
50	3000	180								3,77	2,65	1,5
											11,83	5,02
66,67	4000	240								5,03	3,53	2
											20,15	8,55
83,33	5000	300									4,42	2,5
												12,93

White numbers: Load losses in m. for every 100 m of pipework

Green numbers: Water speed in m/sec

The table refers to galvanised pipework.


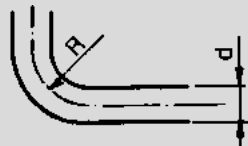
For other materials multiply as follows:

- 0,6 PVC pipes.
- 0,7 aluminium pipes.
- 0,8 laminated steel and stainless steel.

**HAZEN WILLIAMS CALCULATION
FORMULA (UNI 9489 13.3.3.6)**

HEAD LOSS

in cm of column of water in bends, gate valves, and foot valves

VELOCITY OF WATER IN m/s	SHARP EDGED BENDS					NORMAL BENDS					GATE VALVE	FOOT VALVE	NON-RETURN VALVE	HEAD LOSS ON EXIT FROM PIPES $V^2 \cdot 2G$
														
	$\alpha = 30^\circ$	$\alpha = 40^\circ$	$\alpha = 60^\circ$	$\alpha = 80^\circ$	$\alpha = 90^\circ$	$\frac{d}{R} = 0,4$	$\frac{d}{R} = 0,6$	$\frac{d}{R} = 0,8$	$\frac{d}{R} = 1$	$\frac{d}{R} = 1,5$				
0,10	0,03	0,04	0,05	0,07	0,08	0,07	0,08	0,01	0,0155	0,027	0,03	30	30	0,05
0,15	0,06	0,73	0,1	0,14	0,17	0,016	0,019	0,024	0,033	0,06	0,033	31	31	0,12
0,2	0,11	0,13	0,18	0,26	0,31	0,028	0,033	0,04	0,059	0,11	0,058	31	31	0,21
0,25	0,17	0,21	0,28	0,4	0,48	0,044	0,052	0,063	0,091	0,17	0,09	31	31	0,32
0,3	0,25	0,3	0,41	0,6	0,7	0,063	0,074	0,09	0,13	0,25	0,13	31	31	0,46
0,35	0,33	0,4	0,54	0,8	0,93	0,085	0,10	0,12	0,18	0,33	0,18	31	31	0,62
0,4	0,43	0,52	0,71	1,0	1,2	0,11	0,13	0,16	0,23	0,43	0,23	32	31	0,82
0,5	0,67	0,81	1,1	1,6	1,9	0,18	0,21	0,26	0,37	0,67	0,37	33	32	1,27
0,6	0,97	1,2	1,6	2,3	2,8	0,25	0,29	0,36	0,52	0,97	0,52	34	32	1,84
0,7	1,35	1,65	2,2	3,2	3,9	0,34	0,40	0,48	0,70	1,35	0,7	35	32	2,5
0,8	1,7	2,1	2,8	4,0	4,8	0,45	0,53	0,64	0,93	1,7	0,95	36	33	3,3
0,9	2,2	2,7	6	5,2	6,2	0,57	0,67	0,82	1,18	2,2	1,2	37	34	4,2
1,0	2,7	3,3	4,5	6,4	7,6	0,7	0,82	1,0	1,45	2,7	1,45	38	35	5,1
1,5	6,0	7,3	10,0	14,0	17,0	1,6	1,9	2,3	3,3	6,0	3,3	47	40	11,5
2,0	11,0	14,0	18,0	26,0	31,0	2,8	3,3	4,0	5,8	11,0	5,8	61	48	20,4
2,5	17,0	21,0	28,0	40,0	48,0	4,4	5,2	6,3	9,1	17,0	9,1	78	58	32,0
3,0	25,0	30,0	41,0	60,0	70,0	6,3	7,4	9,0	13,0	25,0	13,0	100	71	46,0
3,5	33,0	40,0	55,0	78,0	93,0	8,5	10,0	12,0	18,0	33,0	18,0	123	85	62,0
4,0	43,0	52,0	70,0	100,0	120,0	11,0	13,0	16,0	23,0	42,0	23,0	150	100	82,0
4,5	55,0	67,0	90,0	130,0	160,0	14,0	21,0	26,0	37,0	55,0	37,0	190	120	103,0
5,0	67,0	82,0	110,0	160,0	190,0	18,0	29,0	36,0	52,0	67,0	52,0	220	140	127,0

v = velocity of water in metres per second

d = diameter of pipes in m metres

h = head loss in cm of water column for each metre of pipework, calculated according to the Lang formula:

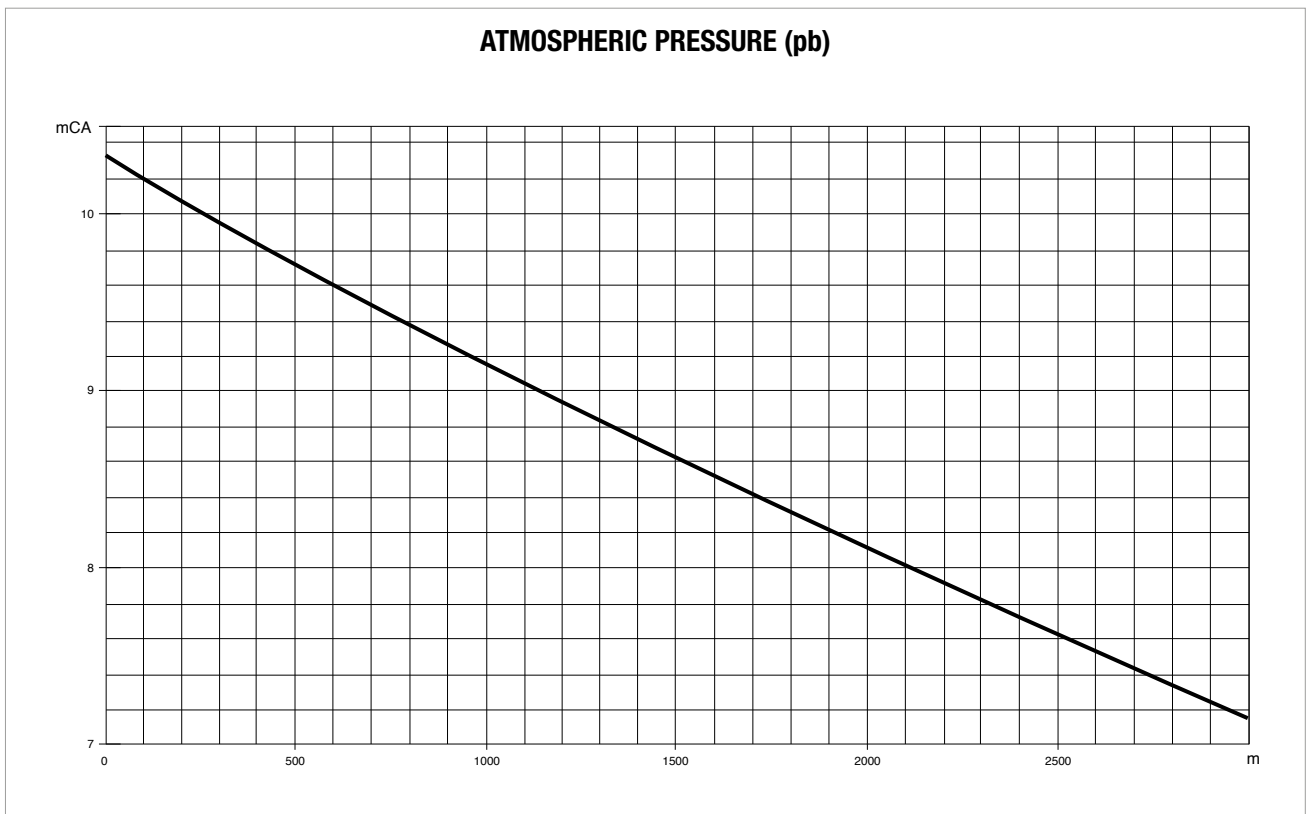
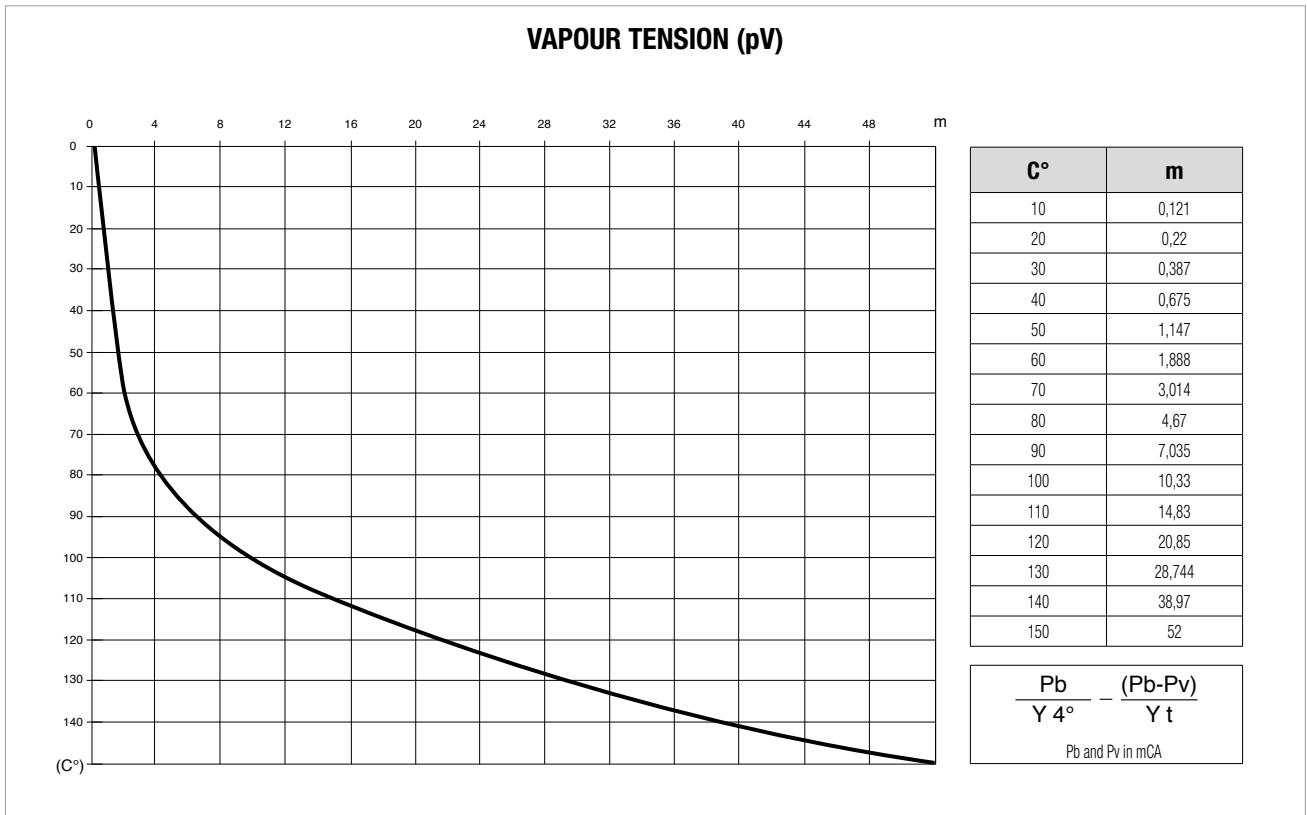
$$h = \lambda \times \frac{100}{d} \times \frac{v^2}{2g} \qquad \lambda = 0,02 + \frac{0,0018}{\sqrt{v \times d}}$$

The only loss in bends is that due to the contraction of the liquid stream when changing direction (the development of the curves must therefore be included in the length of the pipework); the head loss for gate valves has been determined through technical tests.

The head loss for gate valves and normal bends is equal to that of 5 m of straight pipework, while that of non-return valves is equal to 15 m.

The values given are for pipes with a completely smooth internal surface. In case of rough or scaled pipes, allowances must be made accordingly.

VAPOUR TENSION AND SPECIFIC WEIGHT OF WATER AS A FUNCTION OF TEMPERATURE



TECHNICAL APPENDIX

ELECTRONIC IN-LINE PUMPS

CONVERSION TABLE FOR UNITS OF MEASURE

CHARACTERISTIC	SYSTEM UNIT OF MEASURE	UNIT OF MEASURE	SYMBOL	CONVERSIONS		
				SYSTEM	INTERNATIONAL SYSTEM (SI)	IMPERIAL SYSTEM
LENGTH	Technical and International	metre decimetre centimetre millimetre	m dm cm mm	1 dm = 0,1 m 1 cm = 0,01 m 1 mm = 0,001 m		1 m = 3,28 ft 1 dm = 3,937 in 1 cm = 0,3937 in
	Imperial	inch foot yard	1", in 1", ft yd	1" = 25,4 mm 1" ft = 0,3048 m 1 yd = 0,9144 m		1 ft = 12" 1 yd = 3 ft = 26"
AREA	Technical and International	metres squared centimetres squared millimetres squared	m ² cm ² mm ²	1 cm ² = 0,0001 m ² 1 mm ² = 0,01 cm ²		1 m ² = 1,196 sq.yd 1 m ² = 10,764 sq.ft 1 cm ² = 0,155 sq.in
	Imperial	square inch square foot square yard	sq.in sq.ft sq.yd	1 sq.in = 6,45 cm ² 1 sq.ft = 0,0929 m ² 1 sq.yd = 0,836 m ²		1 sq.ft = 144 sq.in 1 sq.yd = 1,296 sq.in 1 sq.yd = 9 sq.ft
VOLUME	Technical and International	metre cubed decimetre cubed centimetre cubed litre cubed	m ³ cm ³ mm ³ l	1 m ³ = 1.000 dm ³ 1 cm ³ = 0,001 m ³ = 1.000 cm ³ 1 mm ³ = 0,001 dm ³ 1 l = dm ³		1 dm ³ = 0,22 Imp.gal 1 dm ³ = 0,264 US.gal 1 dm ³ = 61,0 cu.in
	Imperial	cubic inch cubic feet Imperial gallons U.S. gallons	cu.in cu.ft Imp.gal USA.gal	1 cu.in = 16,39 cm ³ 1 cu.ft = 28,34 m ³ 1 Imp.gal = 4,546 m ³ 1 US.gal = 3,785 dm ³		1 Imp.gal = 1,201 US.gal 1 US.gal = 0,833 Imp.gal
TEMPERATURE	Technical and International	degrees Centigrade degrees Kelvin	°C °K	°C = °K - 273 °K = °C + 273		°C = 5/9 x (°F - 32) °K = 5/9 x (°F - 32) + 273
	Imperial	degrees Fahrenheit	°F	°F = 9/5 x °C + 32		-
		freezing point of water at atmospheric pressure: boiling point of water at atmospheric pressure:		000°C = 273 °K = 032 °F 100°C = 373 °K = 212 °F		
WEIGHT and FORCE	Technical	kilogram	kg	-	1 kg = 9,81 N	1 kg = 2,203 lb
	International	Newton	N	1 N = 0,102 kg	-	1 N = 0,22546 lb
	Imperial	pound	lb	1 lb = 0,454 kg	1 lb = 4,452 N	-
SPECIFIC WEIGHT	Technical	kilogram per decimetre cubed	kg/dm ³	-	1 kg/dm ³ = 9,807 N/dm ³	1 kg/dm ³ = 62,46 lb/cu.ft
	International	Newton per decimetre cubed	N/dm ³	1 N/dm ³ = 0,102 kg/dm ³	-	1 N/dm ³ = 6,36 lb/cu.ft
	Imperial	pound per cubic foot	lb/dm ³	1 lb/cu.ft = 0,01600 kg/dm ³	1 lb/cu.ft = 0,160 N/dm ³	-
PRESSURE	Technical	atmospheres	kg/cm ²	-	1 kg/cm ² = 98,067 kPa 1 kg/cm ² = 0,9807 bar	1 kg/cm ² = 14,22 psi
	International	Pascal kiloPascal bar	Pa kPa bar	1 kPa = 0,0102 kg/cm ² 1 bar = 1,02 kg/cm ²	1 kPa = 1.000 Pa 1 bar = 100.000 Pa	1 kPa = 0,145 psi 1 bar = 14,50 psi
	Imperial	pounds per square inch	psi	1 psi = 0,0703 kg/cm ²	1 psi = 0,06895 bar 1 psi = 6,894 kPa	-
FLOW	Technical	litres per minute litres per second metres cubed per hour	l/min l/s m ³ /h	1 l/min = 0,0167 l/s 1 l/s = 3,6 m ³ /h 1 m ³ /h = 16,667 l/min	1 l/s = 0,001 m ³ /s	1 l/min = 0,22 imp.g.p.m. 1 l/min = 0,264 US.g.p.m. 1 m ³ /h = 3,666 imp.g.p.m. 1 m ³ /h = 4,403 US.g.p.m.
	International	metres cubed per second	m ³ /s	1 m ³ /s = 1.000 l/s 1 m ³ /s = 3.600 m ³ /h	-	1 m ³ /s = 13,198 imp.g.p.m. 1 m ³ /s = 15,852 US.g.p.m.
	Imperial	imperial gallons per minute U.S. gallons per minute	Imp.g.p.m. US.g.p.m.	1 Imp.g.p.m. = 4,546 l/min 1 Imp.g.p.m. = 0,273 m ³ /h 1 US.g.p.m. = 3,785 l/min 1 US.g.p.m. = 0,227 m ³ /h	-	1 Imp.g.p.m. = 1,201 US.g.p.m. 1 US.g.p.m. = 0,833 Imp.g.p.m.
TORQUE	Technical	kilogram metre	kgm	-	1 kgm = 9,807 Nm	1 kgm = 7,233 ft.lb
	International	Newton metre	Nm	1 Nm = 0,102 kgm	-	1 Nm = 0,7376 ft.lb
	Imperial	foot pound	ft.lb	1 ft.lb = 0,138 kgm	1 ft.lb = 1,358 Nm	-
WORK and ENERGY	Technical	kilogram metre vapour-horsepower hour	kgm CVh		1 kgm = 9,807 J 1 CVh = 0,736 kWh	1 kgm = 7,233 ft.lb 1 Nm = 0,986 HP.hr.
	International	Joule kiloWatt hour	J kWhq	1 J = 0,102 kgm kWh = 1,36 CVh	-	1 Nm = 0,7376 ft.lb 1 Nm = 0,7376 ft.lb
	Imperial	foot pound Horsepower hour	ft.lb HP.hr.	1 ft.lb = 0,138 kgm 1 HP.hr. = 1,014 CVh	1 ft.lb = 0,358 Nm 1 HP.hr. = 0,746 kWh	-
POWER	Technical	Horse power	HP	1 HP = 0,736 kW	1 HP = 736 W	-
	International	Watt kiloWatt	W kW	1 W = 0,00136 Hp 1 kW = 1,36 Hp	1 kW = 1.000 W	-
KINETIC VISCOSITY	Technical	stokes centistokes	1 St 1 cSt	1 St = 1 cm ² /s 1 cSt = 0,01 St	1 St = 0,0001 m ² /s	1 St = 0,00107 ft ² /s
	International	m ² /s	m ² /s	1 m ² /s = 10.000 St	1 m ² /s = 10.000 cm ² /s	1 m ² /s = 10,764 ft ² /s
	Imperial	square foot per second	ft ² /s	1 ft ² /s = 929 St	1 ft ² /s = 0,0929 m ² /s	-

4 - Electric connections for inputs and outputs

The MCE/C has 2 digital inputs, one analogue input and 2 digital outputs, in order to make it possible to obtain some interface solutions with more complex systems.

4.1 - Digital Inputs

On the base of the 18-pole terminal board is the indication of the digital inputs:

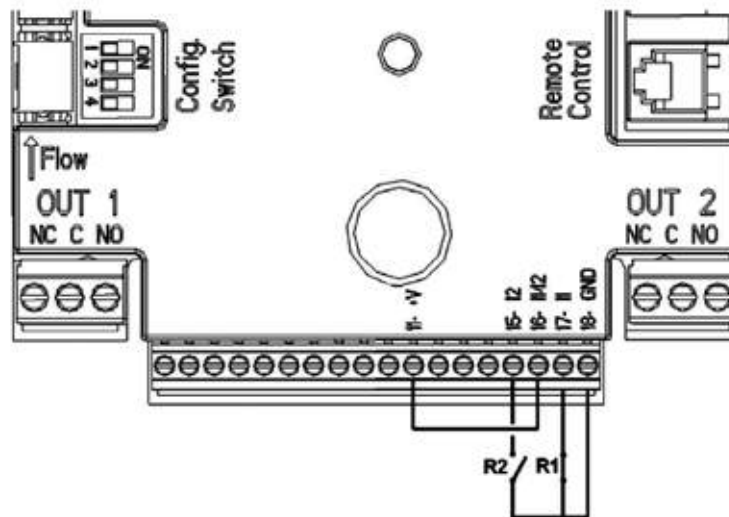
- 11 - V+
- 15 - I2
- 16 - I1/I2
- 17 - I1
- 18 - GND

The switching on of the inputs is possible both in direct and in alternate current. Below are the electric characteristics of the inputs.

Electrical characteristics of the inputs		
	DC inputs [V]	AC inputs [Vrms]
Minimum switch-on voltage [V]	8	6
Maximum switch-off voltage [V]	2	1,5
Maximum permitted voltage [V]	36	36
Current absorbed at 12 V [mA]	3,3	3,3
Max cable section accepted [mm ²]	2,13	
<i>Note: the inputs can be driven with any polarity (positive or negative in relation to their own mass return)</i>		

* to check the availability of the function on specific models contact our customer service.

The example proposed refers to a connection with clean contact, using the internal voltage for driving the input.



Digital Input Connection Example

If a voltage is available, rather than a contact, this can also be used to drive the inputs: simply do not use the +V and GND terminals, and connect the voltage source to the desired input, complying with the characteristics described above.

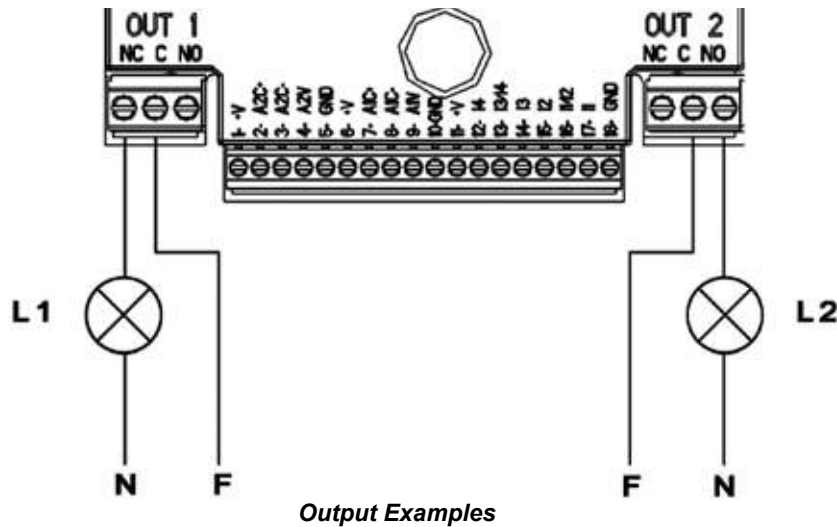
Functions associated to the digital inputs	
I1	Start/Stop: If input 1 is activated from the control panel, it will be possible to remotely control the switching on and off of the pump.
I2	Economy: If input 2 is activated from the control panel, it will be possible to remotely activate the set-point reduction function.

R1	R2	System Status
Open	Open	Pump stopped OFF
Open	Close	Pump stopped OFF
Open	Open	Pump in operation with AUTO set-point set by the user
Open	Close	Pump in operation with reduced ECONOMY set-point

4.2 - Outputs:

The connections of the outputs listed below are for the two 3-pole terminal boards indicated with **OUT1** and **OUT2**, under which the type of contact relating to the connection terminal is also indicated (**NC** = Normally Closed, **C** = Common, **NO** = Normally Open).

Characteristics of the output contacts	
Type of contact	NO, NC, COM
Max sustainable voltage [V]	250
Max sustainable current [A]	5 If resistive load 2,5 If inductive load
Max cable section accepted [mm ²]	3,80



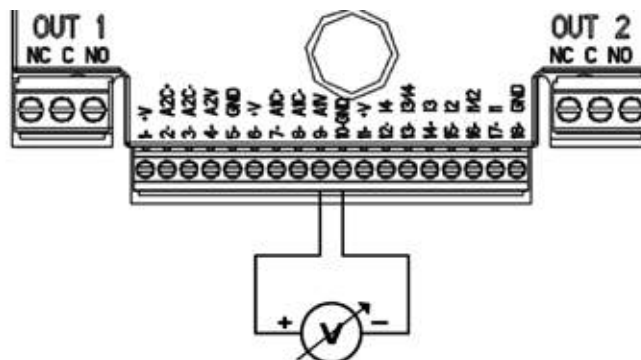
In the example shown, light L1 comes on when the system includes an alarm, and goes off when no faults are detected, while light L2 comes on when the pump is in operation, and goes off when the pump is stopped.

Functions associated to the outputs	
OUT1	Presence/absence of system alarms
OUT2	Pump in operation/Pump stopped

4.3 - Analogue input for driving the Constant Curve Mode with External Analogue Signal

On the base of the 18-pole terminal board is the indication of the 0-10 V analogue input:

- A1V (terminal 9): Positive pole
- GND (terminal 10): Negative pole



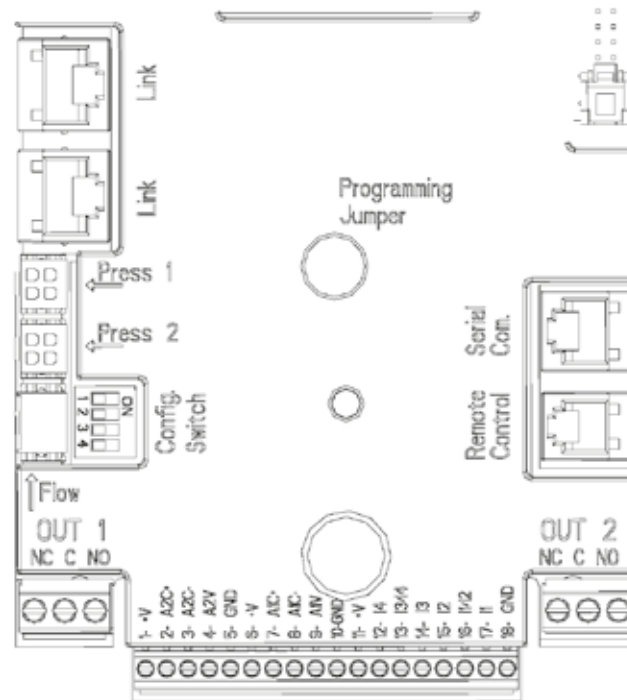
The function associated to the 0-10 V analogue input is the **adjustment of the rotation speed of the pump in proportion to the 0-10 V power input voltage itself.**

5 - Twin function

It is possible to create pumping groups with a maximum of 2 pumps. In order to do this, it is necessary to hydraulically connect the pumps on the same delivery and suction manifolds. For twin circulators, this operation is of course not necessary.

It is also necessary to connect the 2 MCE/C inverters using the appropriate interconnection cable, connected to both inverters, using one of the 2 connectors marked with **Link**.

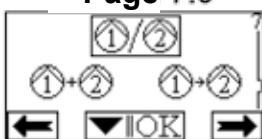
For correct operation of the twin system, it is necessary that all the input terminal board external connections are in parallel between the 2 MCE/C, complying with the numerations of the individual terminals (e.g. terminal 17 of the MCE-22/C-1 with terminal 17 of MCE-22/C-2, and so on).



5.1 - Software set-up

When using a twin system, using page 7.0 of the menu it is possible to set one of the 3 available twin operating modes:

Page 7.0



2/1 **Alternate every 24 hours:** The 2 inverters alternate in performing the adjustment functions at intervals of 24 hours of operation. If one becomes faulty, the other one takes over the adjustment operations.

2+1 **Simultaneous:** The 2 inverters both work at the same time, and at the same speed. This mode is useful when a flow rate that cannot be delivered by one single pump is required.

2-1 **Main/Backup:** The adjustment is always performed by the same inverter (Main); the other one (Backup) only intervenes when the Main one becomes faulty.

If the twin communication cable is connected, the systems are automatically configured as individual, working in a full independent way from each other.

6 - Single-phase electric connection diagram (up to MCE-22/C)

6.1 - Connection to the power input line

The connection between the single-phase power input line and the MCE-22/C must be completed using a 3-wire cable (phase + neutral + ground). The input terminals are marked with LINE LN and an arrow entering the terminals; see Figure 1

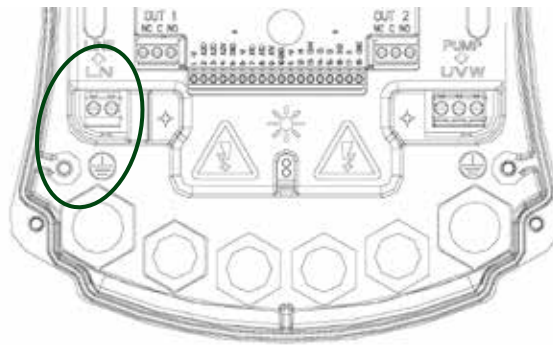


Figure 1: Electric Connections

The minimum section of the input and output cables must be such to ensure correct tightening of the cable glands, while the maximum section accepted by the terminals is 4 mm²

The current at the electric pump is generally specified in the motor data plates.

The maximum power input current at the MCE-22/C can be estimated in general as double in relation to the maximum current absorbed by the pump. Although the MCE-22/C is already fitted with internal protections, it is recommended that a protection thermal magnetic circuit breaker of appropriate size is also installed.

6.2 - Three-phase electric connection diagram (MCE-30/C and MCE-55/C)

6.3 - Connection to the power input line

The connection between the three-phase power input line and the MCE-30/C and MCE-55/C must be completed using a 4-wire cable (3 phases + ground). The input terminals are marked with LINE RST and an arrow entering the terminals; see Figure 2

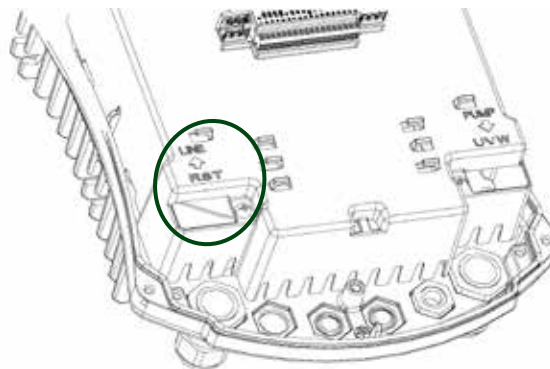


Figure 2: Electric Connections

The maximum section accepted by the input and output terminals is 6 mm².

The external diameter of the input and output cables accepted by the cable glands for appropriate tightening goes from 11 mm² minimum, to 17 mm² maximum.

The current at the electric pump is generally specified in the motor data plates.

The MCE-55/C power input current can be generally assessed (with a safety margin) as 1/8 more than the current absorbed by the pump. Although the MCE-55/C is already fitted with internal protections, it is recommended that a protection thermal magnetic circuit breaker of appropriate size is also installed.

6.4 - Three-phase electric connection diagram (MCE-110/C and MCE150/C)

6.5 - Connection to the power input line

The connection between the three-phase power input line and the MCE-110/C and MCE-150/C must be completed using a 4-wire cable (3 phases + ground). The input terminals are marked with LINE RST and an arrow entering the terminals; see Figure 3

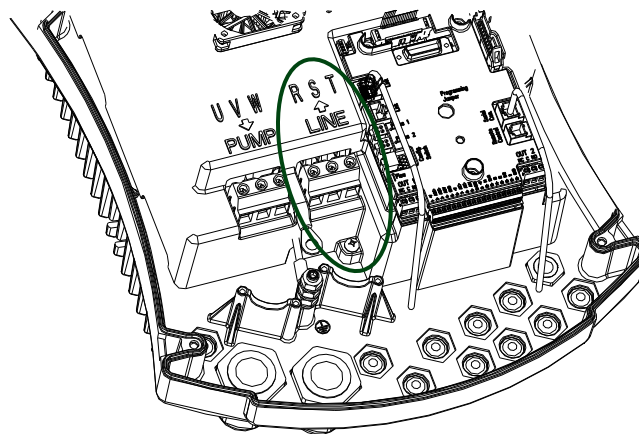
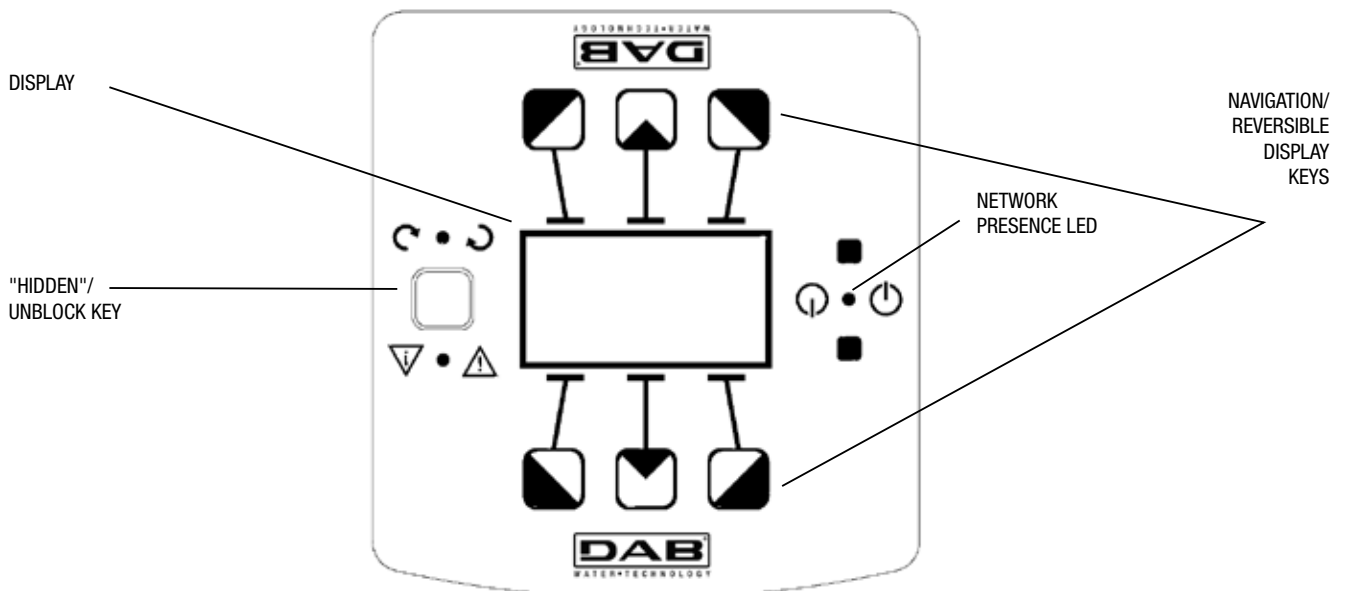


Figure 3: Electric Connections

The minimum section of the input and output cables is 6 mm² to ensure correct tightening of the cable glands, while the maximum section accepted by the terminals is 16 mm².

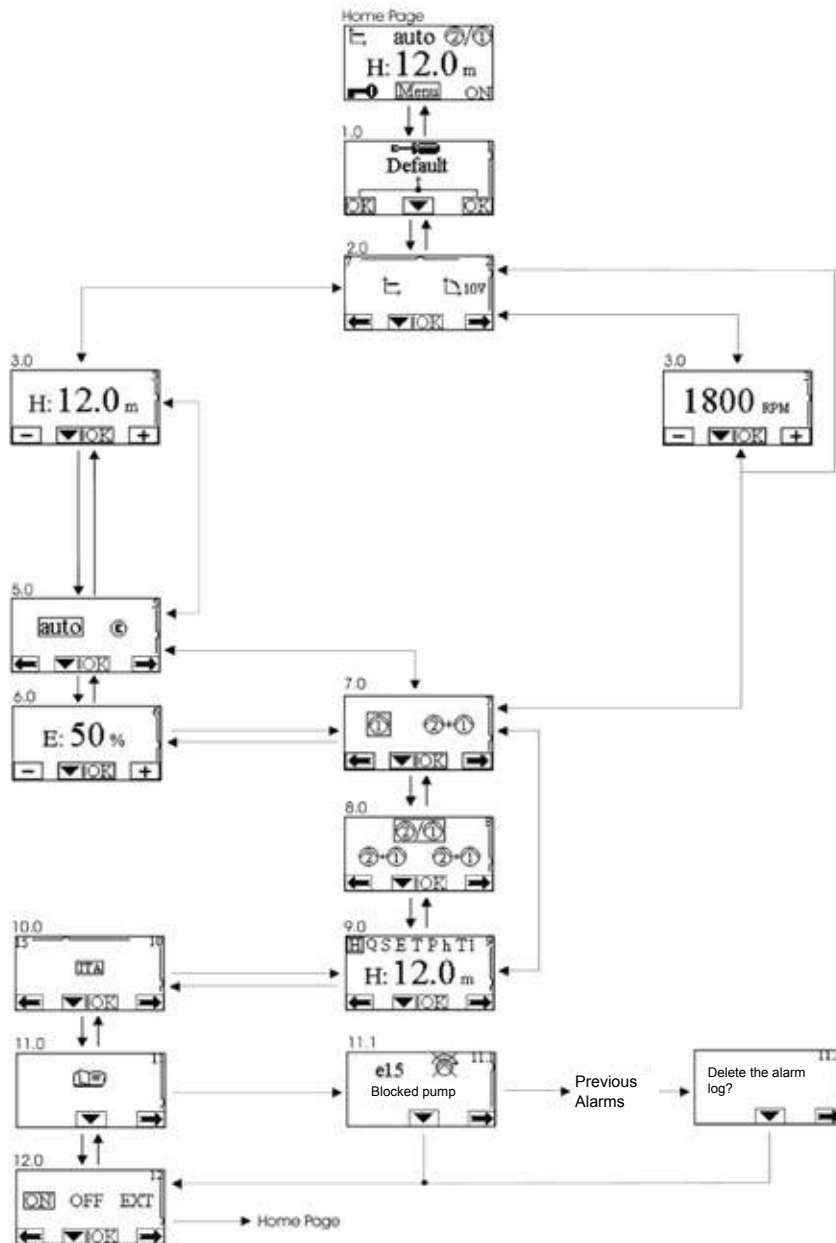
The MCE-110/C and MCE-150/C power input current can be generally assessed (with a safety margin) as 1/8 more than the current absorbed by the pump. Although the MCE-110/C and MCE-150/C are already fitted with internal protections, it is recommended that a protection thermal magnetic circuit breaker of appropriate size is also installed.

7 - Description of the control panel



8 - MCE/C MENU CONFIGURATIONS

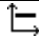

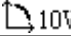
The settings are completed by passing from one page to the next in the configuration menu of the circulator.






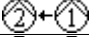
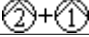
DESCRIPTION OF DISPLAYED MEASUREMENTS

Symbol	Description
H S E P h	Parameter display
H	Head in metres
S	Speed in revolutions/minute (rpm)
E	0-10 V analogue input
P	Power in kW
h	Hours of operation


TYPES OF REGULATIONS

Symbol	Description
	Δp -c regulation (constant pressure)
	Servomotor regulation with speed set on the display.
	Servomotor regulation with speed set by remote 0-10 V signal


CIRCULATOR STATUS

Symbol	Description
	Single circulator or circulator no. 1
	Circulator no. 2
	Alternate twin circulators
	Main/backup twin circulators (switch every 24 hours)
	Simultaneous twin circulators
ON	Circulator on
OFF	Circulator off
EXT	Circulator controlled by remote signal (ref. terminals 1-2)









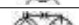


OPERATING MODE

Symbol	Description
auto	Auto mode
	Economy mode

9 - Factory settings

Parameter	Value
Mode of regulation	Parameter display
Hs (Differential Pressure Set-point)	50 % of the maximum pump head (see the sensitive inverter parameters set by the factory)
Fs (Frequency Set-point)	90 % of the nominal frequency of the pump
Operating modes	auto
Set-point reduction percentage	50 %
Twin operating modes	 = Alternate every 24 hours
Pump start command	EXT (from remote signal on input 11)

10 - Types of alarms and resolution)

Alarm Code	Alarm Symbol	Alarm Description
e0 - e16; e21		Internal Error
e17 - e19		Short Circuit
e20		Voltage Error
e22 - e30		Voltage Error
e31		Protocol Error
e32 - e35		Overtemperature
e37		Low voltage
e38		High voltage
e39 - e40		Current overload
e43; e44; e45; e54		Pressure Sensor
e46		Pump Disconnected

ERROR AND RESET CONDITIONS

Error condition		
Display indication	Description	Reset
E0 - E16	Internal error	<ul style="list-style-type: none"> - Remove voltage to the MCE - Wait 5 minutes and then reconnect the MCE. - If the error persists, replace the MCE.
E37	Low network voltage (LP)	<p>Remove voltage to the MCE</p> <ul style="list-style-type: none"> - Wait 5 minutes and then reconnect the MCE. - Check that the network voltage is correct. If necessary reset it to the plate details.
E38	High network voltage (HP)	<ul style="list-style-type: none"> - Remove voltage to the MCE - Wait 5 minutes and then reconnect the MCE. - Check that the network voltage is correct. If necessary reset it to the plate details.
E32-E35	Critical overheating of electronic parts	<ul style="list-style-type: none"> - Remove voltage to the MCE - After waiting 5 minutes, remove the MCE from the pump and clean the cover of the motor. - Clean the dissipator.
E43-E45; E54	No sensor signal	<ul style="list-style-type: none"> - Check the connection of the sensor. - Replace the sensor, if faulty.
E39-E40	Current overload protection	<ul style="list-style-type: none"> - Check that the circulator is turning freely. - Check that the antifreeze added does not exceed the maximum amount of 30 %.
E21-E30	Voltage Error	<ul style="list-style-type: none"> - Remove voltage to the MCE. - Wait 5 minutes and then reconnect the MCE. - Check that the network voltage is correct. If necessary reset it to the plate details.
E31	Twin communication not found	<ul style="list-style-type: none"> - Check that the communication cable is not damaged. - Check that both circulators can be powered.

DNA[®]

PUMPS SELECTOR

On-line product selection



DAB PUMPS LTD.
Unit 4 and 5, Stortford Hall Industrial Park,
Dunmow Road,
Bishops Stortford,
Herts
CM23 5GZ - UK
salesuk@dwtgroup.com
Tel. +44 1279 652 776
Fax +44 1279 657 727



DAB PUMPS IBERICA S.L.
Calle Verano 18-20-22
28850 - Torrejón de Ardoz - Madrid
Spain
Info.spain@dwtgroup.com
Tel. +34 91 6569545
Fax: + 34 91 6569676



DAB PUMPS SOUTH AFRICA PTY
Twenty One Industrial Estate,
16 Purlin Street, Warehouse 4, Unit B
Olifantsfontein - South - Africa
info.sa@dwtgroup.com
Tel. +27 12 361 3997
Fax +27 12 361 3137



DAB PUMPS B.V.
Brusselstraat 150
B-1702 Groot-Bijgaarden - Belgium
info.belgium@dwtgroup.com
Tel. +32 2 4668353
Fax +32 2 4669218



DAB PUMPS HUNGARY KFT.
H-8800
Nagykanizsa, Buda Ernő u.5
Hungary
Tel. +36 93501700



DAB PUMPS (QINGDAO) CO. LTD.
No.40 Kaituo Road, Qingdao Economic & Technological
Development Zone
Qingdao City, Shandong Province - China
PC: 266500
sales.cn@dwtgroup.com
Tel. +86 400 186 8280
Fax +86 53286812210



DAB PUMPS B.V.
Albert Einsteinweg, 4
5151 DL Drunen - Nederland
info.netherlands@dwtgroup.com
Tel. +31 416 387280
Fax +31 416 387299



DAB PUMPS POLAND Sp. z o.o.
Mokotów Marynarska
ul. Postępu 15C
02-676 Warszawa - Poland
polska@dabpumps.com.pl
Tel. +48 223 816 085



DAB PUMPS DE MÉXICO, S.A. DE C.V.
Av Amsterdam 101 Local 4
Col. Hipódromo Condesa,
Del. Cuauhtémoc CP 06170
Ciudad de México
Tel. +52 55 6719 0493



DAB PUMPEN DEUTSCHLAND GmbH
Tackweg 11
D - 47918 Tönisvorst - Germany
info.germany@dwtgroup.com
Tel. +49 2151 82136-0
Fax +49 2151 82136-36



DAB PUMPS INC.
3226 Benchmark Drive
Ladson, SC 29456 - USA
info.usa@dwtgroup.com
Tel. 1- 843-797-5002
Fax 1-843-797-3366



DAB PUMPS OCEANIA PTY LTD
426 South Gippsland Hwy,
Dandenong South VIC 3175 - Australia
info.oceania@dwtgroup.com
Tel. +61 1300 373 677