

FEKA 6000

SUBMERSIBLE PUMPS



TECHNICAL DATA

Type of compeller: single-channel, closed

Free passage: 95 to 108 mm.

Nominal power: 15 to 24 kW

Delivery: DN 150

Operating range:

from 36 to 420 m³/h with head up to 24,5 metres.

Pumped liquid: loaded water, generally for use in civil or industrial sewage systems with grids, compatibly with the construction materials.

PH of the liquid: 6 to 11

Liquid temperature range: from 0° to +40 °C.

Maximum installation depth: 20 metres.

(with cable of appropriate length).

Installation: fixed using a coupling device, or free in the vertical position. Continuous duty with completely submerged pump.

Supplied with: UNI 1092 PN16 flange and base for free installation.

APPLICATIONS

Submersible electric pump for civil and industrial drain water compatible with the pump materials. Suitable for lifting or decanting loaded cesspool water, sewage water in systems with grids from cesspools, meteoric water, or dirty water in general, containing solid non-filamentous matter with diameter up to 80 mm.

CONSTRUCTION FEATURES OF THE PUMP

Single-channel impeller with rotating and fixed wear ring on the diffuser.

Flanged delivery port, EN 1092-1. DN 150 PN 16.

Carbon/Steel mechanical seal in oil chamber on the motor side, double SiC/SiC mechanical seal on the pump side.

CONSTRUCTION FEATURES OF THE MOTOR

Dry, asynchronous and waterproof motor, cooled by the surrounding liquid. Continuous S1 duty with completely submerged pump. Rotor mounted on permanently lubricated ball bearings, oversized to ensure long-term reliability and extended lifetime. Water infiltration sensor in oil chamber, capable of indicating water infiltrations through the mechanical seal (standard). Overtemperature sensors in the motor windings, with 150 °C tripping threshold.

Standard voltage: 3x400V~. For other models contact our commercial department.

Start-up type: star-triangle (Y/Δ)

Number of poles: 4

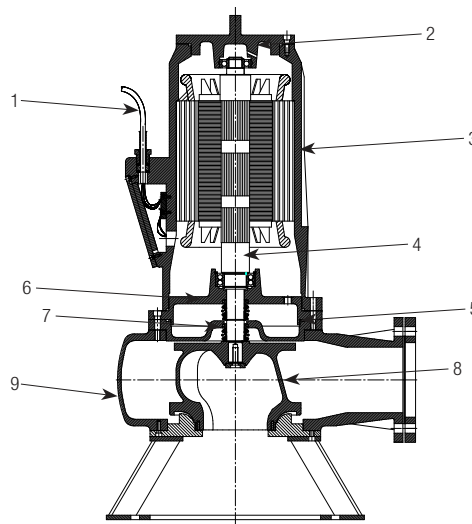
Motor protection class: IP 68

Insulation class: F

Max starts/hour: 20

MATERIALS

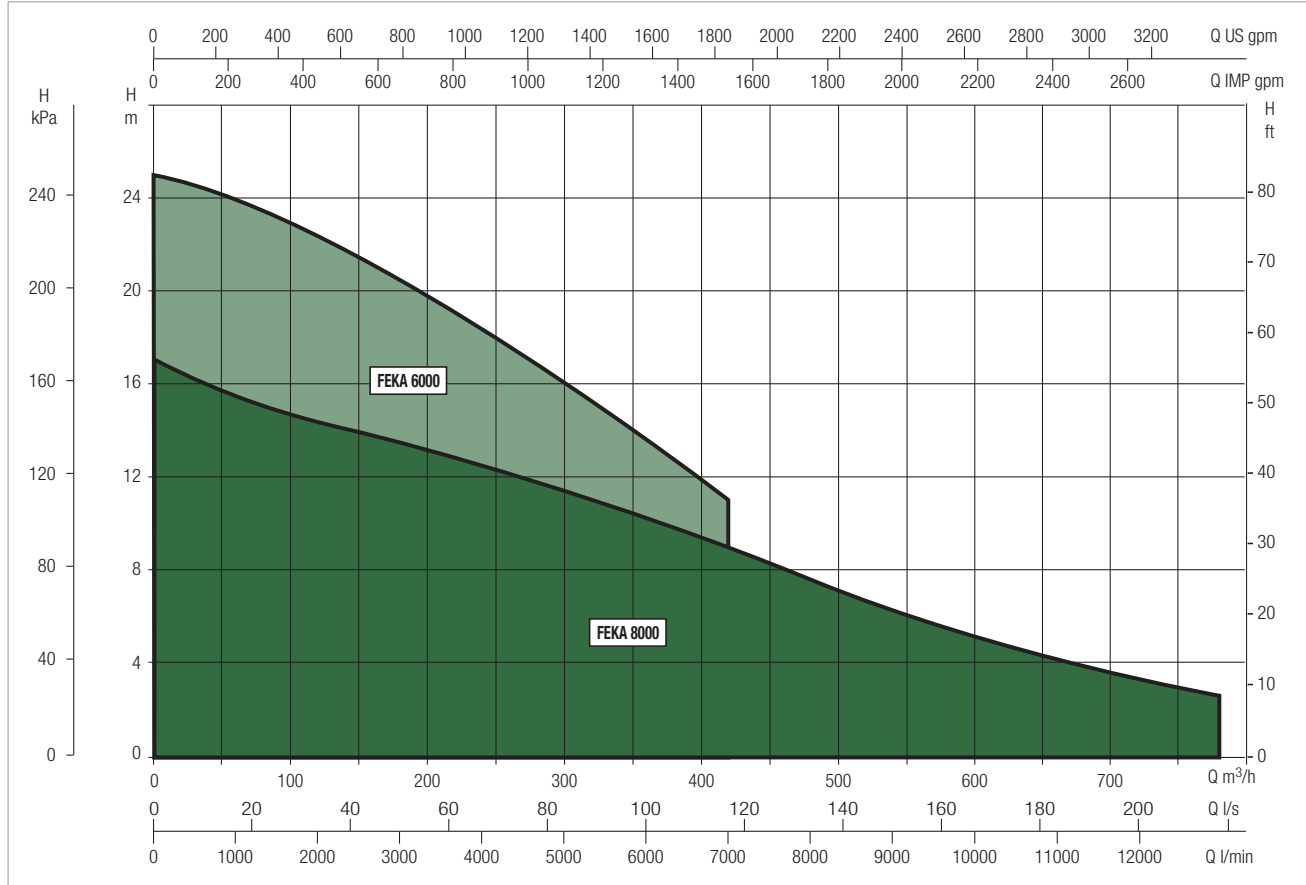
N.	PARTS	MATERIALS
1	POWER INPUT CABLE	H07RN-F
2	UPPER COVER	EN G.JL 200 CAST IRON
3	MOTOR BODY	EN G.JL 200 CAST IRON
4	MOTOR SHAFT	AISI 420
5	OR	NBR
6	BEARING FLANGE	EN G.JL 200 CAST IRON
7	MECHANICAL SEAL	MOTOR: SiC - SiC PUMP: CARBON - STEEL
8	IMPELLER	EN G.JL 200 CAST IRON
9	HYDRAULIC BODY	EN G.JL 200 CAST IRON



PERFORMANCE RANGE

The performance curves are based on kinematic viscosity values = 1 mm²/s and density equal to 1000 kg/m³. Curve tolerance according to ISO 9906.

GRAPHIC SELECTION TABLE

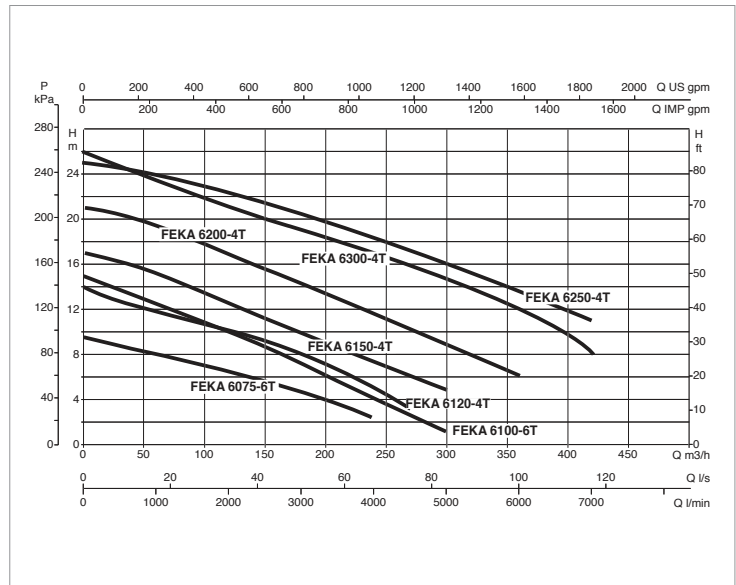
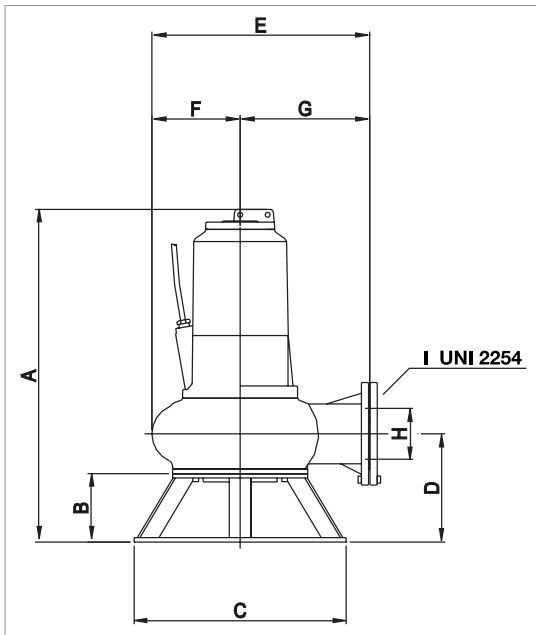


SELECTION TABLE - FEKA 6000

MODEL	Q=m ³ /h																
	0	24	36	48	60	72	90	108	126	150	180	210	240	270	300	360	420
	Q=l/min																
	0	400	600	800	1000	1200	1500	1800	2100	2500	3000	3500	4000	4500	5000	6000	7000
FEKA 6075.6T	9,6	9,2	8,5	8,4	8	7,8	7,2	6,8	6,4	5,8	4,8	3,7	2,4				
FEKA 6100.6T	15	14,2	13,7	13	12,6	12	11,5	10,9	9,3	8,8	8,5	6,2	3,5	2,8	1,2		
FEKA 6120.4T	14	12,8	12,5	12,2	11,7	11,4	11	10,5	10	9,2	8,1	6,7	5,2	3,2			
FEKA 6150.4T	17	16,3	16,1	15,8	15,4	14,9	14	13,3	12,1	11,6	10,1	8,4	7,7	5,9	4,8		
FEKA 6200.4T	21		20,3	20	19,5	18,8	18,2	17,4	16,2	15,5	14,1	12,8	11,8	10,2	8,4	4,2	
FEKA 6250.4T	25		24,5	24,2	24	23,5	23	22,5	22	21,5	20,5	19,5	18,5	17	16	14	11
FEKA 6300.4T	26		24	23,8	23,4	23	22	21	20,5	19,8	19	18	16,8	16	14,4	12,3	8

FEKA 6000 - SUBMERSIBLE PUMPS FOR LIFTING WASTE WATER

Liquid temperature range: from 0 °C to +40 °C



The performance curves are based on kinematic viscosity values = 1 mm²/s and density equal to 1000 kg/m³. Curve tolerance according to ISO 9906.

MODEL	ELECTRICAL DATA				
	POWER INPUT 50 Hz	P1 MAX kW	P2 NOMINAL		In A
			kW	HP	
FEKA 6075.6T	3X400 V~	6,3	5,2	6,9	13
FEKA 6100.6T	3X400 V~	6,4	5,75	7,7	19
FEKA 6120.4T	3X400 V~	12,7	8,5	11,3	23
FEKA 6150.4T	3X400 V~	14	10,9	14,5	26
FEKA 6200.4T	3X400 V~	15,8	14,9	19,9	30
FEKA 6250.4T	3X400 V~	24	18,5	24,7	40
FEKA 6300.4T	3X400 V~	23	21	28	45

MODEL	A	B	C	D	E	F	G	H	I	PACKAGING DIMENSION			WEIGHT kg
										L/A	L/B	H	
FEKA 6075.6T	950	190	590	301	602	240	362	150	DN150	900	780	1180	200
FEKA 6100.6T	1150	190	590	317	657	271	386	150	DN150	1200	740	1500	330
FEKA 6120.4T	950	190	590	301	602	240	362	150	DN150	900	780	1180	200
FEKA 6150.4T	950	190	590	301	602	240	362	150	DN150	900	780	1180	212
FEKA 6200.4T	950	190	590	301	602	240	362	150	DN150	900	780	1180	226
FEKA 6250.4T	1150	190	590	317	657	271	386	150	DN150	1200	740	1500	330
FEKA 6300.4T	1150	190	590	317	657	271	386	150	DN150	1200	740	1500	340