



TECHNICAL DATA

Operating range: up to 42 m³/h with head of up to 22 metres.

Pumped liquid: clean water, or slightly contaminated water with suspended solid debris, or long fibres; highly aggressive water with high percentage of chlorine/bromine and PHMB (Polyhexamethylene biguanide), or chlorine electrolysis treated water.

PH Range: 6,5-8,4.

Pumped liquid temperature range: up to 60 °C.

Maximum ambient temperature: 50 °C.

Maximum operating pressure: 2.5 bar.

Nominal working pressure: 0,8 - 1,2 Bar (ideally 1 Bar).

Installation: fixed or portable, horizontal position.

Special executions on requests: alternative frequencies and voltages.

Connectors on request: 2"/50 - 63 (two connectors+O-ring - see "Accessories") kit.

Standard of reference: IEC - 60364.

Protection class of the motor and the terminal box: IP55.

Protection class at the terminal board: IP 55.

Insulation class: F

Standard voltage: single-phase 220/240 V - 50 Hz.
three-phase 230/400 V - 50 Hz

APPLICATIONS

High performance self-priming centrifugal electric pumps with built-in high capacity prefilter. Motor completely isolated from the water. Extremely quiet and highly reliable, developed for water circulation and filtration in domestic and residential swimming pools. Also suitable for specific applications requiring handling of aggressive liquids in the fishing, agricultural, and industrial sectors.

CONSTRUCTION FEATURES OF THE PUMP

Fibreglass reinforced technopolymer pump body. Transparent antioxidant polycarbonate prefilter cover ensuring constant visibility over the long period. Nylon strainer. Fibreglass reinforced technopolymer impeller designed to ensure total cover and insulation of the motor shaft from the pumped liquid. Reinforced technopolymer diffuser. Carbon / alumina / NBR / AISI 316 mechanical seal. NBR pump body O-ring, AISI 316 stainless steel reinforcement ring nuts and screws. Butterfly filling and drain plugs that can be removed and refitted without tools.

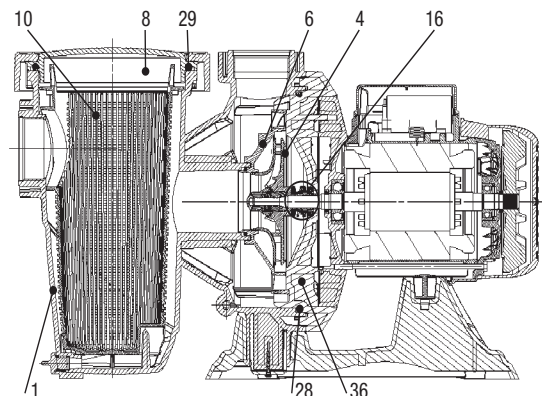
CONSTRUCTION FEATURES OF THE MOTOR

Continuous service 2-pole asynchronous motor (S1) with a wide power range, from 0,5 HP to 3 HP, both single and three phase (see technical specifications). Die cast aluminium motor casing with cathaphoresis paint coating to avoid oxidation also in aggressive environments. Support base supplied with rubber feet to reduce vibrations. Single phase version with built-in thermal and current protection, and permanent split capacitor (PSC) inside the terminal box for all versions.

MATERIALS

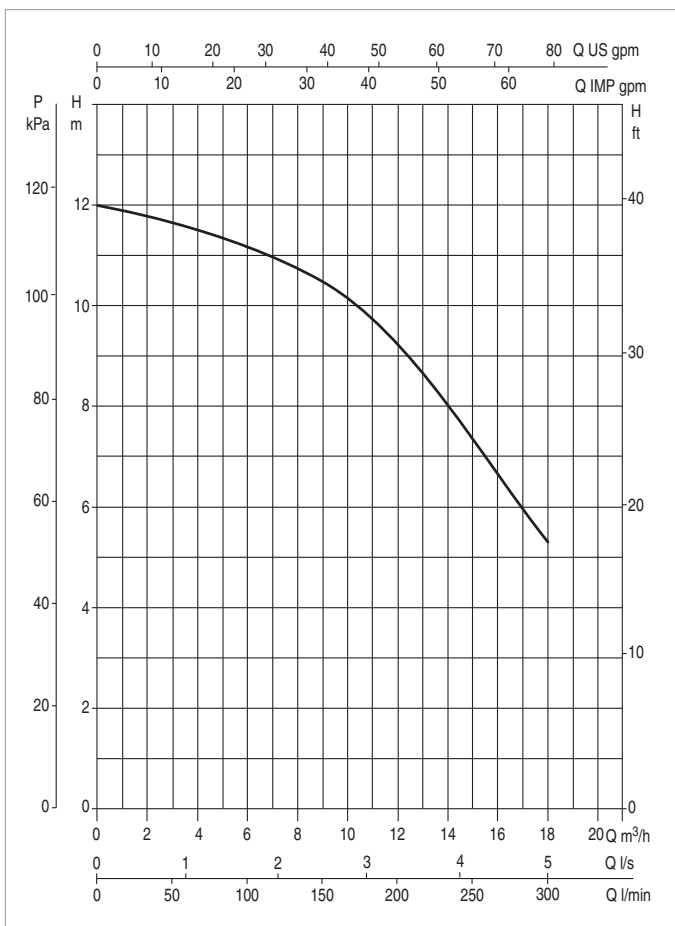
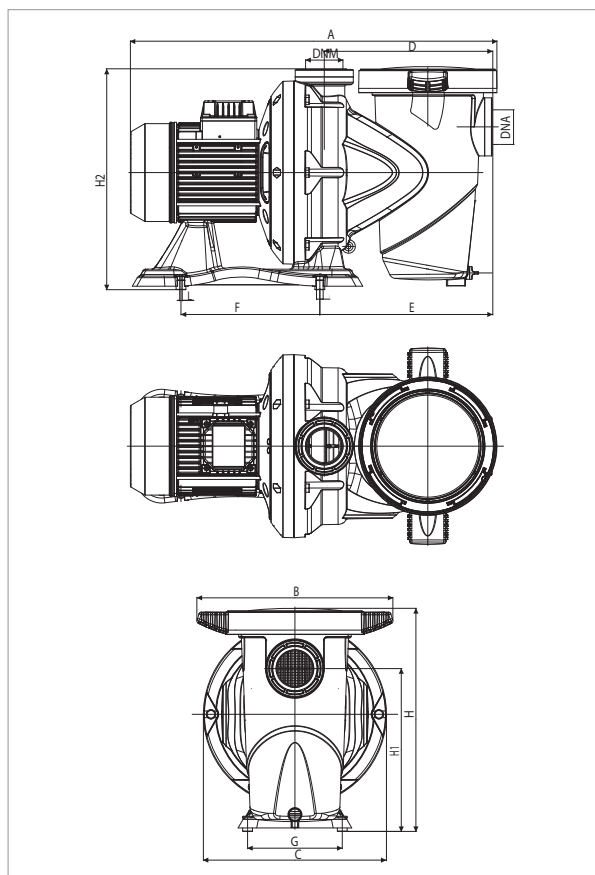
| N. | PARTS* | MATERIALS |
|----|-------------------|--------------------------------------|
| 1 | PUMP BODY | REINFORCED TECHNOPOLYMER |
| 4 | IMPELLER | REINFORCED TECHNOPOLYMER |
| 6 | DIFFUSER | REINFORCED TECHNOPOLYMER |
| 8 | STRAINER COVER | POLYCARBONATE |
| 10 | STRAINER | TECHNOPOLYMER |
| 16 | MECHANICAL SEAL | CARBON/ALUMINA/NBR/AISI316 |
| 28 | O-RING | NBR |
| 29 | O-RING | NBR |
| 36 | SEAL HOLDING DISC | REINFORCED, STABILISED TECHNOPOLYMER |

* In contact with the liquid



EUROSWIM 50 - SWIMMING POOL CENTRIFUGAL ELECTRIC PUMPS

Pumped liquid temperature range: up to 60 °C - Maximum ambient temperature: +50 °C



The performance curves are based on kinematic viscosity values = 1 mm²/s and density equal to 1000 kg/m³. Curve tolerance according to ISO 9906.

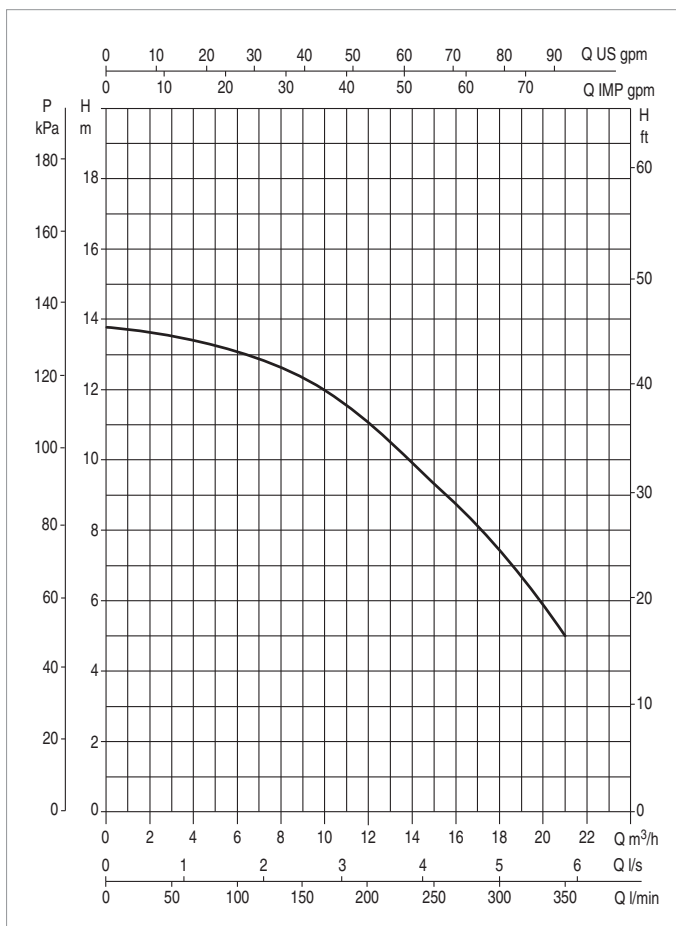
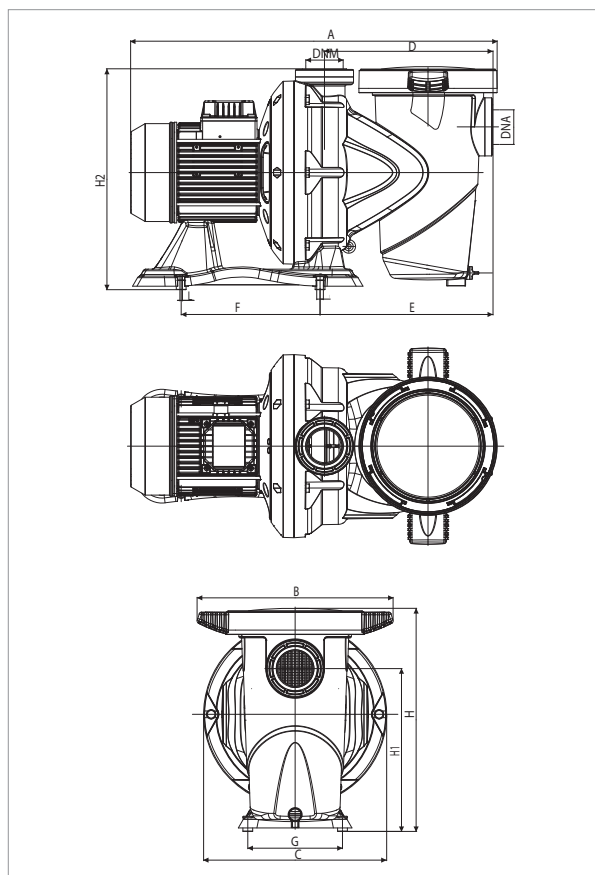
| MODEL | Q= m³/h | 0 | 3 | 6 | 9 | 12 | 18 | 21 | 24 | 30 | 36 | 42 |
|----------------------|---------|------|------|------|------|-----|-----|-----|-----|-----|-----|-----|
| | Q=l/min | 0 | 50 | 100 | 150 | 200 | 300 | 350 | 400 | 500 | 600 | 700 |
| EUROSWIM 50 M | H (m) | 12,0 | 11,7 | 11,2 | 10,5 | 9,3 | 5,3 | | | | | |

| MODEL | POWER INPUT 50 Hz | P1 MAX W | P2 NOMINAL | | In A | CAPACITOR | | NOISE LEVEL MAX db (A) |
|----------------------|----------------------|-------------|------------|-----|---------|-----------|-----|---------------------------|
| | | | kW | HP | | µF | Vc | |
| EUROSWIM 50 M | 1 x 220 - 240 V ~ | 900 | 0,33 | 0,5 | 4,2 | 16 | 450 | 64 |

| MODEL | A | B | C | D | E | F | G | H | H1 | H2 | I | L | DNA | DNM | PACKING DIMENSIONS | | | GROSS WEIGHT kg | Q.TY X PALLET |
|----------------------|-----|-----|-----|-----|-----|-----|-----|-----|-----|-----|----|-----|-----|-----|--------------------|-----|-----|--------------------|------------------|
| | | | | | | | | | | | | | | | L/A | L/B | H | | |
| EUROSWIM 50 M | 536 | 242 | 242 | 257 | 265 | 220 | 150 | 351 | 222 | 314 | 11 | 6,5 | 2" | 2" | 600 | 360 | 400 | 16 | 8 |

EUROSWIM 75 - SWIMMING POOL CENTRIFUGAL ELECTRIC PUMPS

Pumped liquid temperature range: up to 60 °C - Maximum ambient temperature: +50 °C



The performance curves are based on kinematic viscosity values = 1 mm²/s and density equal to 1000 kg/m³. Curve tolerance according to ISO 9906.

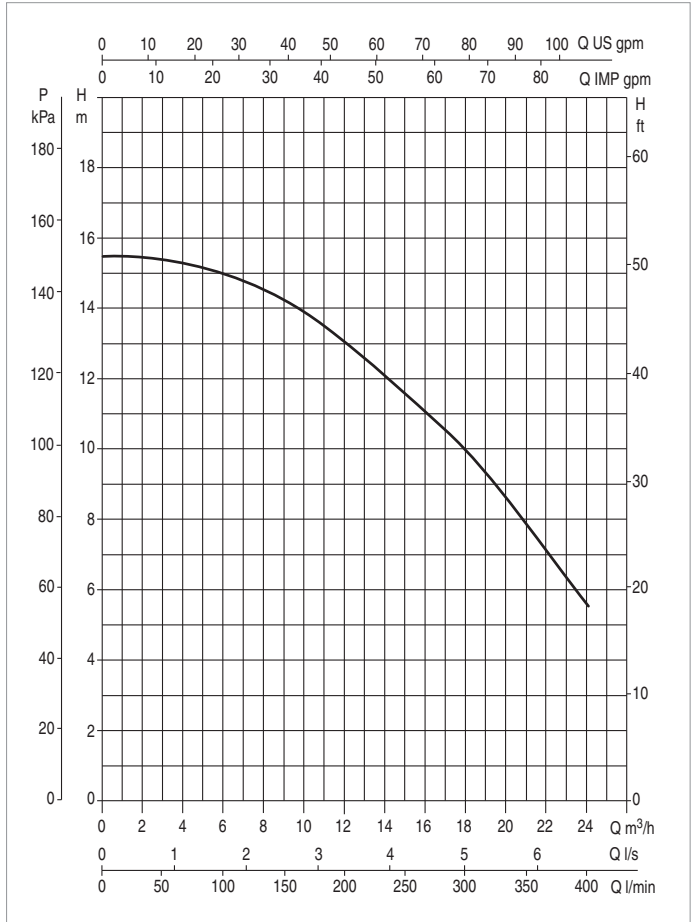
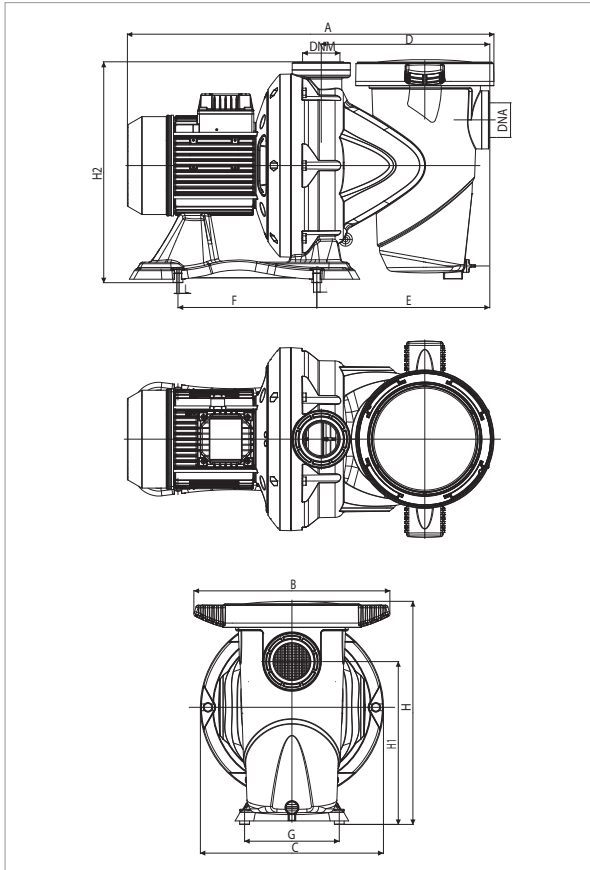
| MODEL | Q= m ³ /h | 0 | 3 | 6 | 9 | 12 | 18 | 21 | 24 | 30 | 36 | 42 |
|------------------------|----------------------|------|------|------|------|------|-----|-----|-----|-----|-----|-----|
| | Q=l/min | 0 | 50 | 100 | 150 | 200 | 300 | 350 | 400 | 500 | 600 | 700 |
| EUROSWIM 75 M-T | H (m) | 13,8 | 13,5 | 13,1 | 12,4 | 11,1 | 7,5 | 5 | | | | |

| MODEL | POWER INPUT 50 Hz | P1 MAX W | P2 NOMINAL | | In A | CAPACITOR | | NOISE LEVEL MAX db (A) |
|----------------------|----------------------|-------------|------------|------|---------|-----------|-----|---------------------------|
| | | | kW | HP | | µF | Vc | |
| EUROSWIM 75 M | 1 x 220 - 240 V ~ | 1000 | 0,5 | 0,75 | 5 | 20 | 450 | 65 |
| EUROSWIM 75 T | 3 x 230-400 V ~ | 950 | 0,5 | 0,75 | 3.5 / 2 | - | - | 65 |

| MODEL | A | B | C | D | E | F | G | H | H1 | H2 | I | L | DNA | DNM | PACKING DIMENSIONS | | | GROSS WEIGHT kg | Q.TY X PALLET |
|----------------------|-----|-----|-----|-----|-----|-----|-----|-----|-----|-----|----|-----|-----|-----|--------------------|-----|-----|--------------------|------------------|
| | | | | | | | | | | | | | | | L/A | L/B | H | | |
| EUROSWIM 75 M | 552 | 242 | 245 | 257 | 265 | 220 | 150 | 351 | 222 | 314 | 11 | 6,5 | 2" | 2" | 600 | 360 | 400 | 16,5 | 8 |
| EUROSWIM 75 T | 552 | 242 | 245 | 257 | 265 | 220 | 150 | 351 | 222 | 314 | 11 | 6,5 | 2" | 2" | 600 | 360 | 400 | 16,5 | 8 |

EUROSWIM 100 - SWIMMING POOL CENTRIFUGAL ELECTRIC PUMPS

Pumped liquid temperature range: up to 60 °C - Maximum ambient temperature: +50 °C



The performance curves are based on kinematic viscosity values = 1 mm²/s and density equal to 1000 kg/m³. Curve tolerance according to ISO 9906.

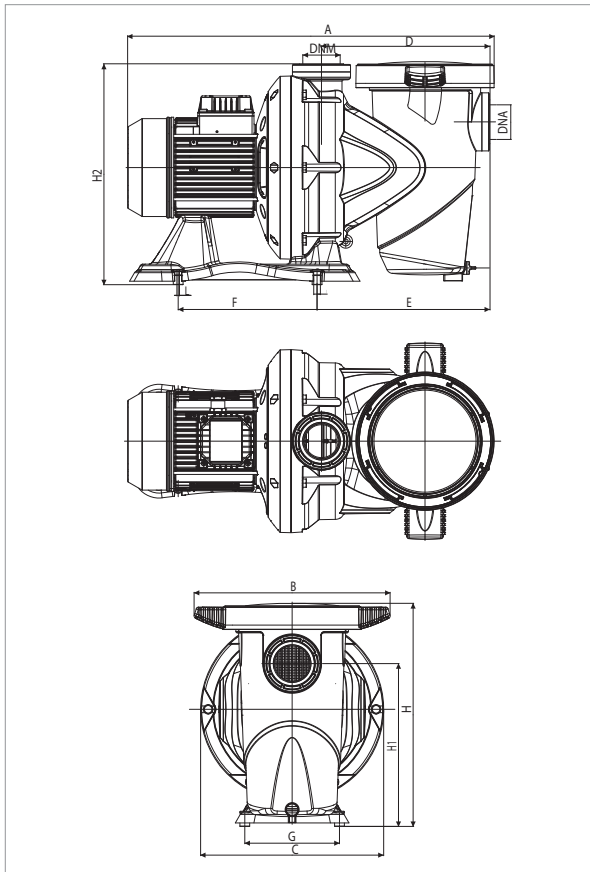
| MODEL | Q= m³/h | 0 | 3 | 6 | 9 | 12 | 18 | 21 | 24 | 30 | 36 | 42 |
|-------------------------|---------|------|------|-----|------|------|------|-----|-----|-----|-----|-----|
| | Q=l/min | 0 | 50 | 100 | 150 | 200 | 300 | 350 | 400 | 500 | 600 | 700 |
| EUROSWIM 100 M-T | H (m) | 15,4 | 15,4 | 15 | 14,2 | 13,1 | 10,0 | 7,8 | 5,6 | | | |

| MODEL | POWER INPUT 50 Hz | P1 MAX W | P2 NOMINAL | | In A | CAPACITOR | | NOISE LEVEL MAX db (A) |
|-----------------------|----------------------|-------------|------------|----|---------|-----------|-----|---------------------------|
| | | | kW | HP | | µF | Vc | |
| EUROSWIM 100 M | 1 x 220-240 V ~ | 1300 | 0,75 | 1 | 6,3 | 25 | 450 | 66 |
| EUROSWIM 100 T | 3 x 230-400 V ~ | 1200 | 0,75 | 1 | 4 / 2.4 | - | - | 66 |

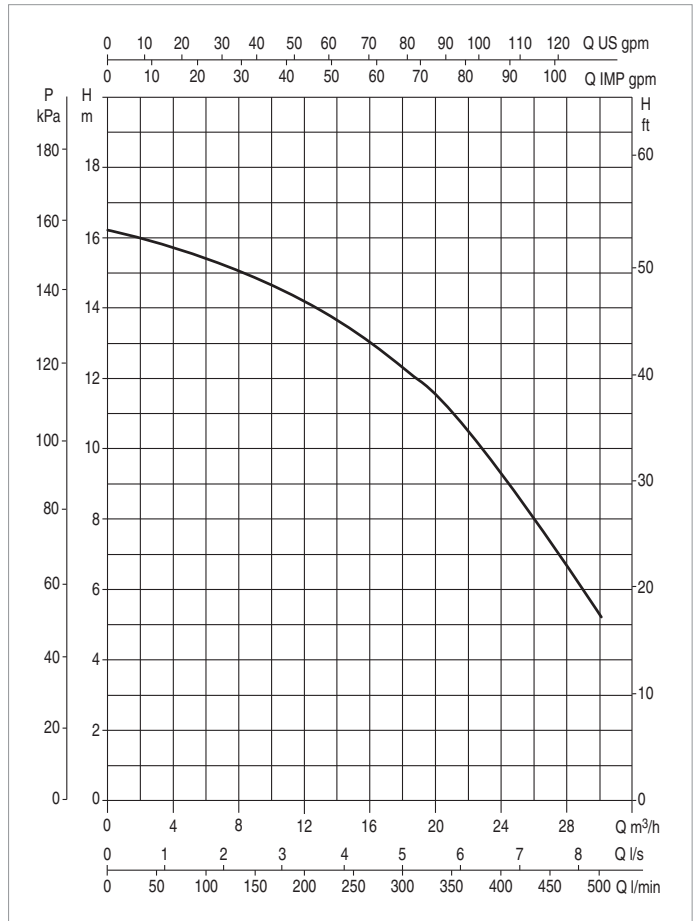
| MODEL | A | B | C | D | E | F | G | H | H1 | H2 | I | L | DNA | DNM | PACKING DIMENSIONS | | | GROSS WEIGHT kg | Q.TY X PALLET |
|-----------------------|-----|-----|-----|-----|-----|-----|-----|-----|-----|-----|----|-----|-----|-----|--------------------|-----|-----|--------------------|------------------|
| | | | | | | | | | | | | | | | L/A | L/B | H | | |
| EUROSWIM 100 M | 552 | 242 | 245 | 257 | 265 | 220 | 150 | 351 | 222 | 314 | 11 | 6,5 | 2" | 2" | 600 | 360 | 400 | 17 | 8 |
| EUROSWIM 100 T | 552 | 242 | 245 | 257 | 265 | 220 | 150 | 351 | 222 | 314 | 11 | 6,5 | 2" | 2" | 600 | 360 | 400 | 17 | 8 |

EUROSWIM 150 - SWIMMING POOL CENTRIFUGAL ELECTRIC PUMPS

Pumped liquid temperature range: up to 60 °C - Maximum ambient temperature: +50 °C



The performance curves are based on kinematic viscosity values = 1 mm²/s and density equal to 1000 kg/m³. Curve tolerance according to ISO 9906.



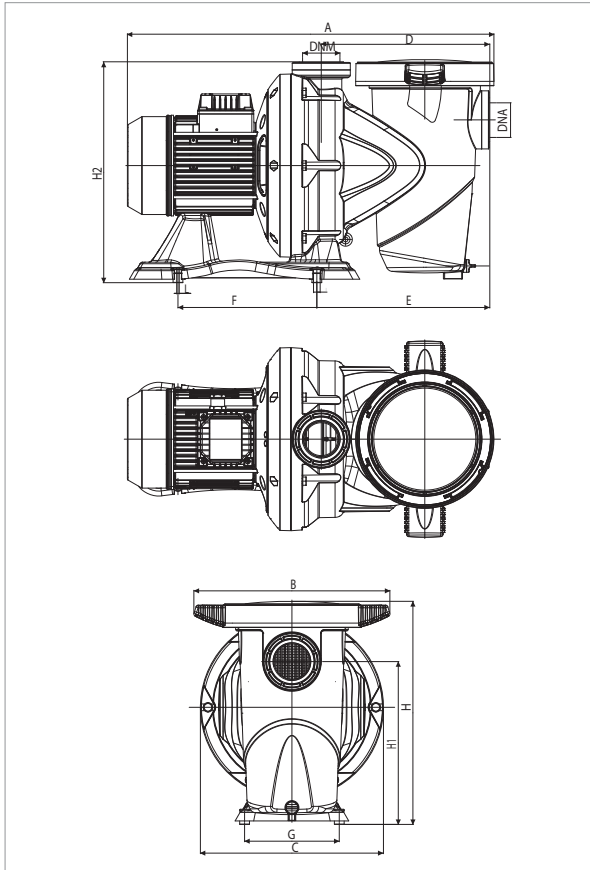
| MODEL | Q= m³/h | 0 | 3 | 6 | 9 | 12 | 18 | 21 | 24 | 30 | 36 | 42 |
|-------------------------|---------|------|------|------|------|------|------|------|-----|-----|-----|-----|
| | Q=l/min | 0 | 50 | 100 | 150 | 200 | 300 | 350 | 400 | 500 | 600 | 700 |
| EUROSWIM 150 M-T | H (m) | 16,2 | 15,9 | 15,4 | 14,9 | 14,2 | 12,4 | 11,1 | 9,3 | 5,3 | | |

| MODEL | POWER INPUT 50 Hz | P1 MAX W | P2 NOMINAL | | In A | CAPACITOR | | NOISE LEVEL MAX db (A) |
|-----------------------|----------------------|-------------|------------|-----|-----------|-----------|-----|---------------------------|
| | | | kW | HP | | µF | Vc | |
| EUROSWIM 150 M | 1 x 220-240 V ~ | 1600 | 1,1 | 1,5 | 7 | 31,5 | 450 | 66 |
| EUROSWIM 150 T | 3 x 230-400 V ~ | 1500 | 1,1 | 1,5 | 6.5 / 3.7 | - | - | 66 |

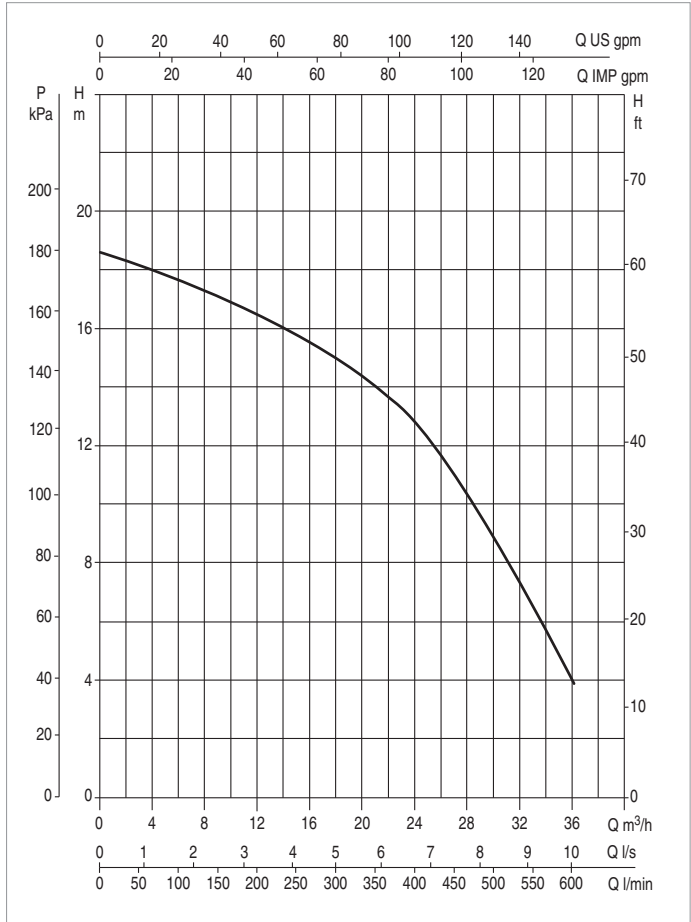
| MODEL | A | B | C | D | E | F | G | H | H1 | H2 | I | L | DNA | DNM | PACKING DIMENSIONS | | | GROSS WEIGHT kg | Q.TY X PALLET |
|-----------------------|-----|-----|-----|-----|-----|-----|-----|-----|-----|-----|----|-----|-----|-----|--------------------|-----|-----|--------------------|------------------|
| | | | | | | | | | | | | | | | L/A | L/B | H | | |
| EUROSWIM 150 M | 574 | 250 | 290 | 267 | 274 | 220 | 150 | 387 | 258 | 350 | 11 | 6,5 | 2" | 2" | 720 | 350 | 430 | 22 | 6 |
| EUROSWIM 150 T | 574 | 250 | 290 | 267 | 274 | 220 | 150 | 387 | 258 | 350 | 11 | 6,5 | 2" | 2" | 720 | 350 | 430 | 22 | 6 |

EUROSWIM 200 - SWIMMING POOL CENTRIFUGAL ELECTRIC PUMPS

Pumped liquid temperature range: up to 60 °C - Maximum ambient temperature: +50 °C



The performance curves are based on kinematic viscosity values = 1 mm²/s and density equal to 1000 kg/m³. Curve tolerance according to ISO 9906.



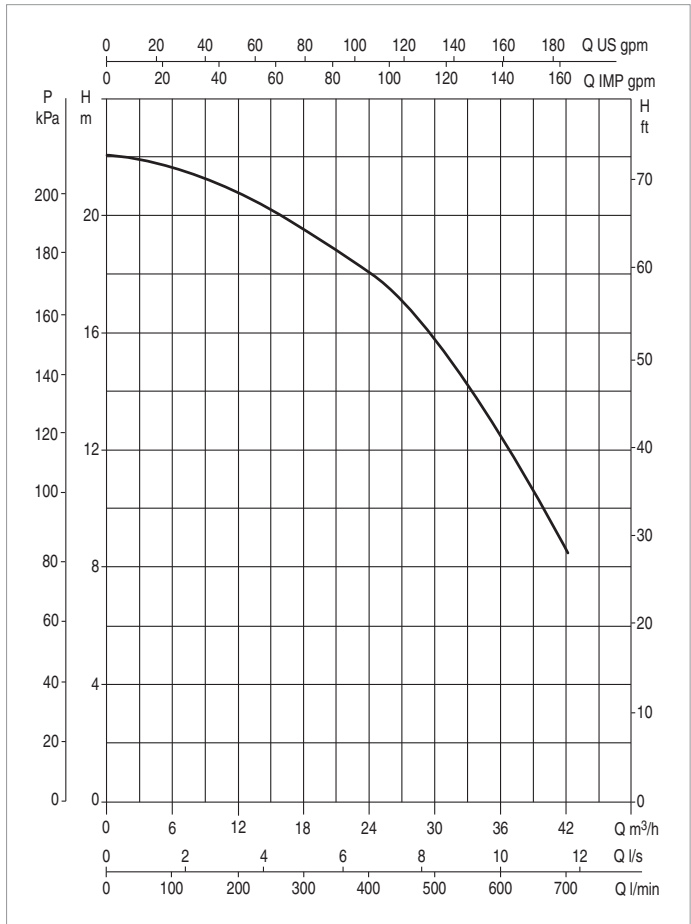
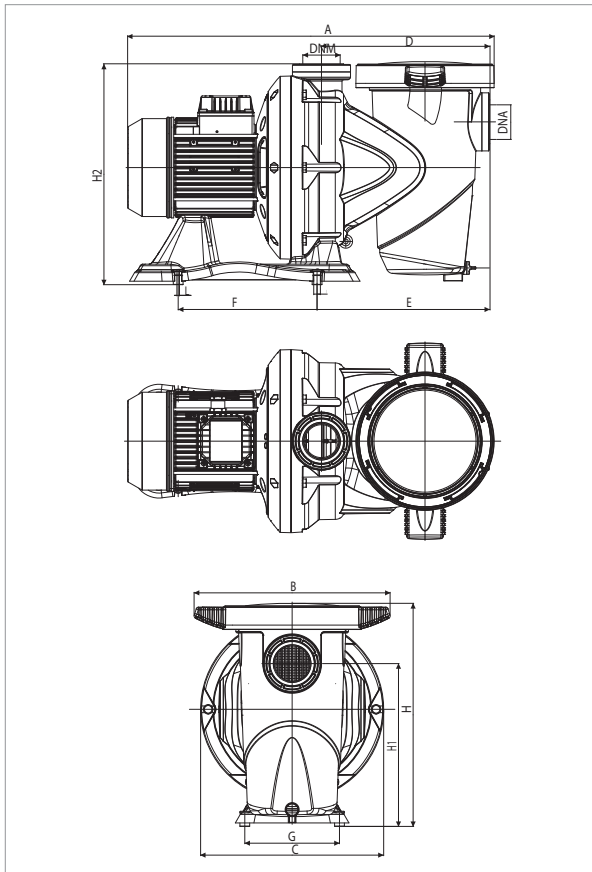
| MODEL | Q= m³/h | 0 | 3 | 6 | 9 | 12 | 18 | 21 | 24 | 30 | 36 | 42 |
|-------------------------|---------|------|------|------|------|------|------|------|------|-----|-----|-----|
| | Q=l/min | 0 | 50 | 100 | 150 | 200 | 300 | 350 | 400 | 500 | 600 | 700 |
| EUROSWIM 200 M-T | H (m) | 18,6 | 18,2 | 17,7 | 17,1 | 16,5 | 15,0 | 14,1 | 12,8 | 9,0 | 4 | |

| MODEL | POWER INPUT 50 Hz | P1 MAX W | P2 NOMINAL | | In A | CAPACITOR | | NOISE LEVEL MAX db (A) |
|-----------------------|----------------------|-------------|------------|----|---------|-----------|-----|---------------------------|
| | | | kW | HP | | µF | Vc | |
| EUROSWIM 200 M | 1 x 220-240 V ~ | 1900 | 1,5 | 2 | 8,6 | 40 | 450 | 67 |
| EUROSWIM 200 T | 3 x 230-400 V ~ | 1900 | 1,5 | 2 | 7.2/4 | - | - | 67 |

| MODEL | A | B | C | D | E | F | G | H | H1 | H2 | I | L | DNA | DNM | PACKING DIMENSIONS | | | GROSS WEIGHT kg | Q.TY X PALLET |
|-----------------------|-----|-----|-----|-----|-----|-----|-----|-----|-----|-----|----|-----|-----|-----|--------------------|-----|-----|--------------------|------------------|
| | | | | | | | | | | | | | | | L/A | L/B | H | | |
| EUROSWIM 200 M | 648 | 250 | 290 | 267 | 274 | 220 | 150 | 387 | 258 | 350 | 11 | 6,5 | 2" | 2" | 720 | 350 | 430 | 24 | 6 |
| EUROSWIM 200 T | 574 | 250 | 290 | 267 | 274 | 220 | 150 | 387 | 258 | 350 | 11 | 6,5 | 2" | 2" | 720 | 350 | 430 | 22 | 6 |

EUROSWIM 300 - SWIMMING POOL CENTRIFUGAL ELECTRIC PUMPS

Pumped liquid temperature range: up to 60 °C - Maximum ambient temperature: +50 °C



The performance curves are based on kinematic viscosity values = 1 mm²/s and density equal to 1000 kg/m³. Curve tolerance according to ISO 9906.

| MODEL | Q= m³/h | 0 | 3 | 6 | 9 | 12 | 18 | 21 | 24 | 30 | 36 | 42 |
|-------------------------|---------|------|------|------|------|------|------|------|------|------|------|-----|
| | Q=l/min | 0 | 50 | 100 | 150 | 200 | 300 | 350 | 400 | 500 | 600 | 700 |
| EUROSWIM 300 M-T | H (m) | 22,0 | 21,9 | 21,7 | 21,3 | 20,8 | 19,6 | 18,9 | 18,1 | 15,9 | 12,5 | 8,6 |

| MODEL | POWER INPUT 50 Hz | P1 MAX W | P2 NOMINAL | | In A | CAPACITOR | | NOISE LEVEL MAX db (A) |
|-----------------------|----------------------|-------------|------------|----|---------|-----------|-----|---------------------------|
| | | | kW | HP | | µF | Vc | |
| EUROSWIM 300 M | 1 x 220-240 V ~ | 2800 | 2,2 | 3 | 12 | 40 | 450 | 64 |
| EUROSWIM 300 T | 3 x 230-400 V ~ | 2800 | 2,2 | 3 | 8.7 / 5 | - | - | 64 |

| MODEL | A | B | C | D | E | F | G | H | H1 | H2 | I | L | DNA | DNM | PACKING DIMENSIONS | | | GROSS WEIGHT kg | Q.TY X PALLET |
|-----------------------|-----|-----|-----|-----|-----|-----|-----|-----|-----|-----|----|-----|-----|-----|--------------------|-----|-----|--------------------|------------------|
| | | | | | | | | | | | | | | | L/A | L/B | H | | |
| EUROSWIM 300 M | 648 | 252 | 290 | 267 | 274 | 220 | 150 | 387 | 258 | 350 | 11 | 6,5 | 2" | 2" | 720 | 350 | 430 | 24,5 | 6 |
| EUROSWIM 300 T | 648 | 252 | 290 | 267 | 274 | 220 | 150 | 387 | 258 | 350 | 11 | 6,5 | 2" | 2" | 720 | 350 | 430 | 24,5 | 6 |