

Receiver

From

Society
Reference
Address
Phone
Fax
E-mail

Item n° :

60147200

Model :

E.SYBOX

Pump data

Pressure rating : 8 bar (800 kPa)
SETTABLE CONSTANT PRESSURE FROM 1 TO 6 bar
Min. fluid temperature : 0 °C
Max. fluid temperature : 40 °C
Max. Ambient temperature : 50 °C

Requested data

Flow :
Head :
Fluid : Water
Fluid Temperature : 20 °C
Density : 998,3 kg/m³
Kinematic viscosity : 1,005 mm²/s
Vapor pressure : 2,34 kPa

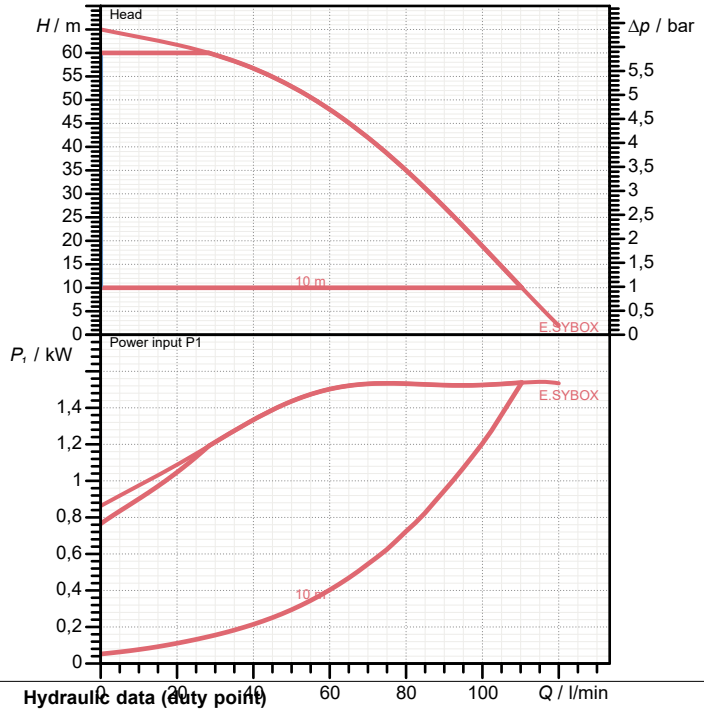
Materials

Motor flange	Technopolymer
Rotor shaft	AISI 303
Motor liner	Stainless Steel AISI 304
OR ring	NBR
Mechanical seal	Impregnated carbon-resin/Silicon carbide/EPDM
Plugs	Technopolymer
Suction body	Technopolymer
Insert	Brass nickel coated
Shutter	Technopolymer
Spring	AISI 303
Diffuser	Technopolymer
Diffuser body	Technopolymer
Impeller	Technopolymer
Wear ring	Stainless Steel AISI 316
Nut	Stainless Steel AISI 316
Diffuser plug	Technopolymer
Sintered plate	Stainless Steel AISI 304
Pump body	Technopolymer
Discharge section	Technopolymer
Flow switch body	Technopolymer
Discharge manifold	Technopolymer
Non-return valve	Technopolymer/Rubber/Steel
Tank	Technopolymer/Rubber
Pressure sensor body	Technopolymer

Motor data

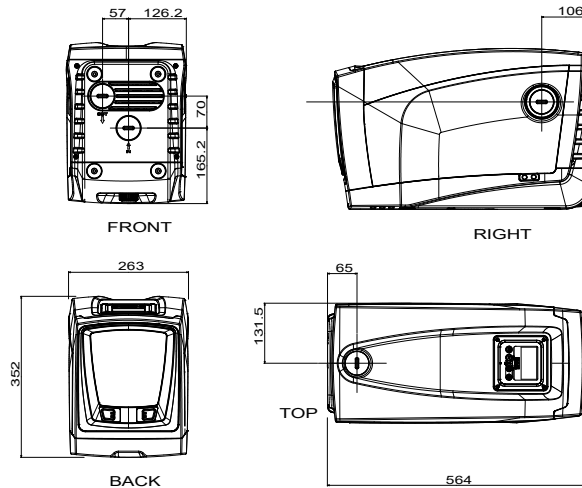
Power input P1 : 1,55 kW
Rated speed : 3.000 1/min
Rated voltage : 1~ 220-240 V 50 Hz
Nominal current : 10 A
Degree of protection : IP X4

Curve tolerance according to ISO 9906



Hydraulic data (duty point)

Flow :
Head :



Dimensions in mm

--	--	--	--	--	--	--	--

Weight : 27 kg

Pump connection

Suction side : 1 " G / 8 bar (800 kPa)
Discharge side : 1 " G / 8 bar (800 kPa)



PERFORMANCE CURVES

2020-04-22

Page 2 / 3

DAB PUMPS S.p.A.
Via Marco Polo, 14 - 35035 Mestrino (PD), Italy
Tel. +39 049 5125000 - Fax +39 049 5125950
www.dabpumps.com

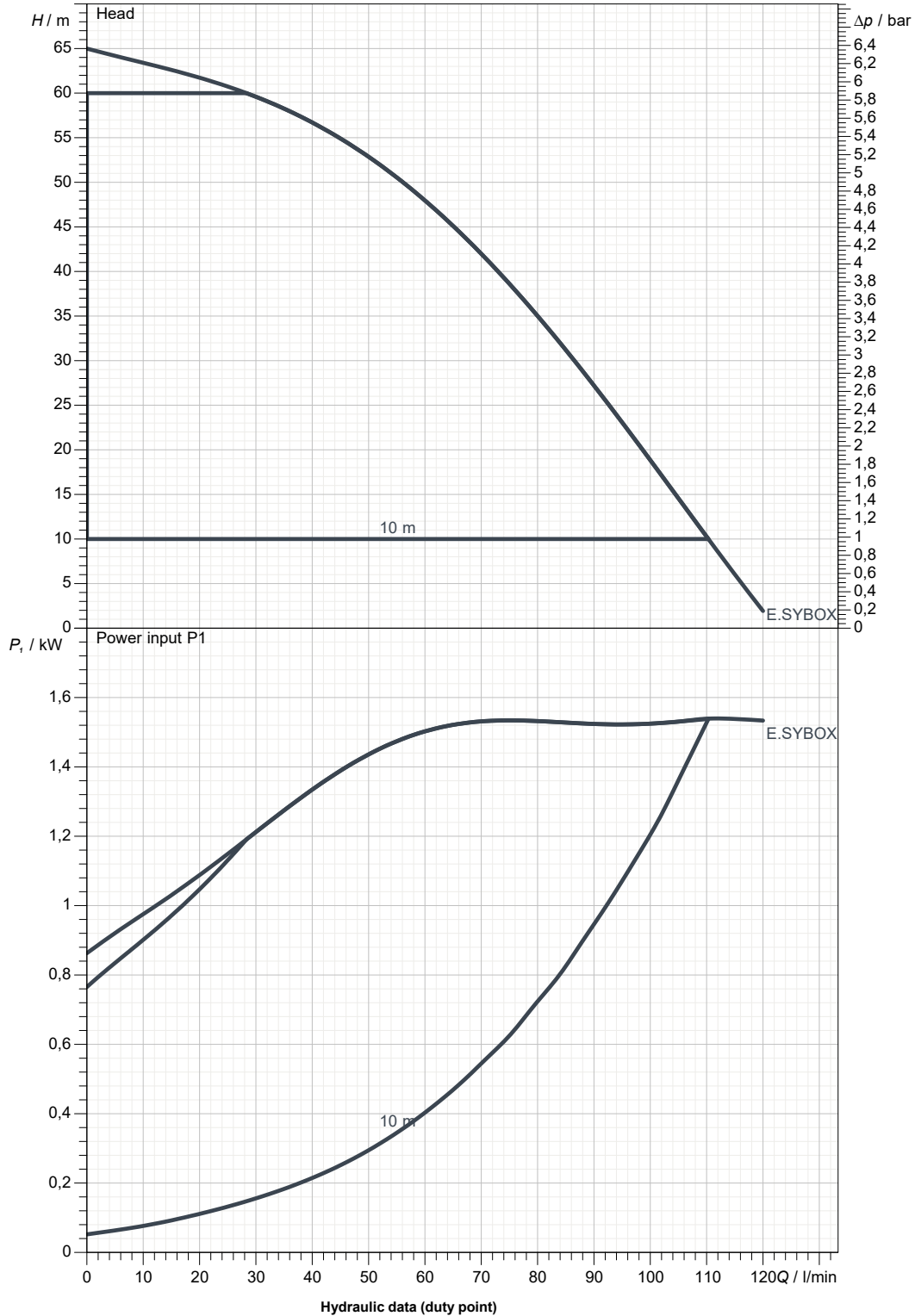
Receiver

From

Society
Reference
Address
Phone
Fax
E-mail

E.SYBOX

Curve tolerance according to ISO 9906



Suction side :
1" G
8 bar (800 kPa)

Discharge side :
1" G
8 bar (800 kPa)

Flow :

Head :

Rated speed :
3.000 1/min

MAIN_PROJECT_TITLE

BUSINESS_PROCESS_ID

OWNER_

ISSUE_DATE
2020-04-22



DIMENSIONAL DRAWING

2020-04-22

Page 3 / 3

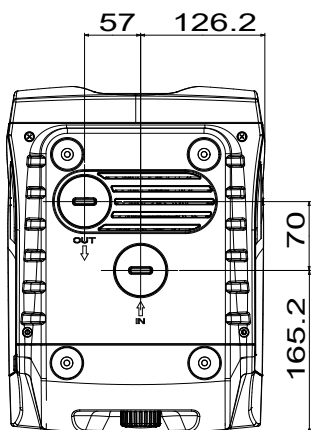
DAB PUMPS S.p.A.
Via Marco Polo, 14 - 35035 Mestrino (PD), Italy
Tel. +39 049 5125000 - Fax +39 049 5125950
www.dabpumps.com

Receiver

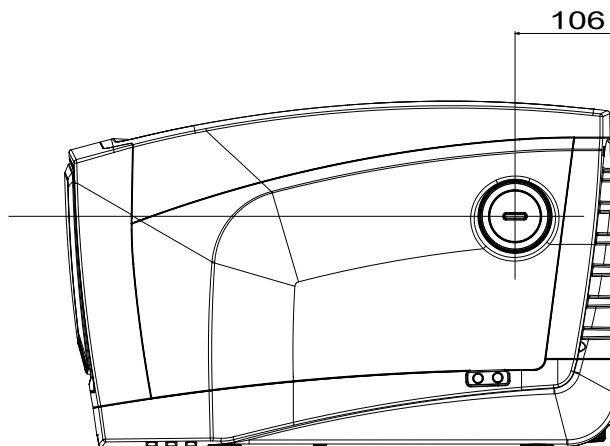
From

Society
Reference
Address
Phone
Fax
E-mail

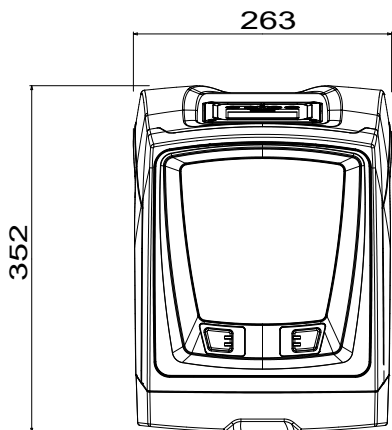
E.SYBOX



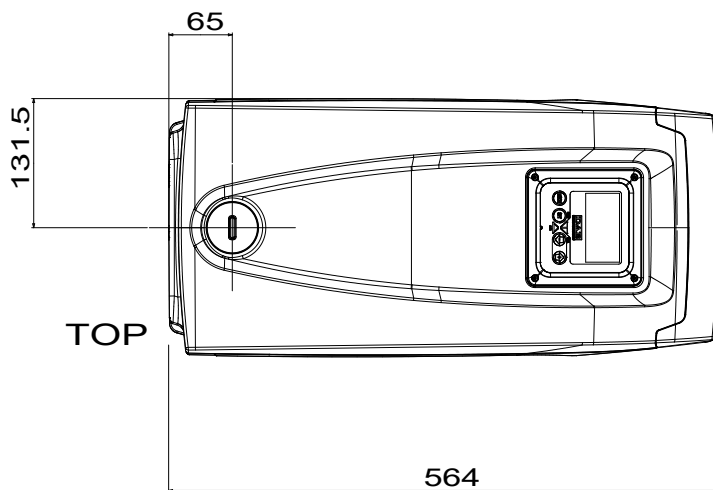
FRONT



RIGHT



BACK



TOP

Dimensions in mm						Pump connection
1						Suction
2						1" G
3						8 bar (800 kPa)
4						
5						Discharge
6						1" G
7						8 bar (800 kPa)
8						
9						
10						
11						
12						

MAIN_PROJECT_TITLE	BUSINESS_PROCESS_ID	OWNER	ISSUE_DATE 2020-04-22
--------------------	---------------------	-------	--------------------------