

Receiver

From

Society
Reference
Address
Phone
Fax
E-mail

Item n° :

60179457

Model :

E.SYBOX MINI 3

Pump data

Pressure rating : 7,5 bar (750 kPa)
SETTABLE CONSTANT PRESSURE FROM 1 TO 5,5 bar
Min. fluid temperature : 0 °C
Max. fluid temperature : 40 °C
Max. Ambient temperature : 50 °C

Requested data

Flow :
Head :
Fluid : Water
Fluid Temperature : 20 °C
Density : 998,3 kg/m³
Kinematic viscosity : 1,005 mm²/s
Vapor pressure : 2,34 kPa

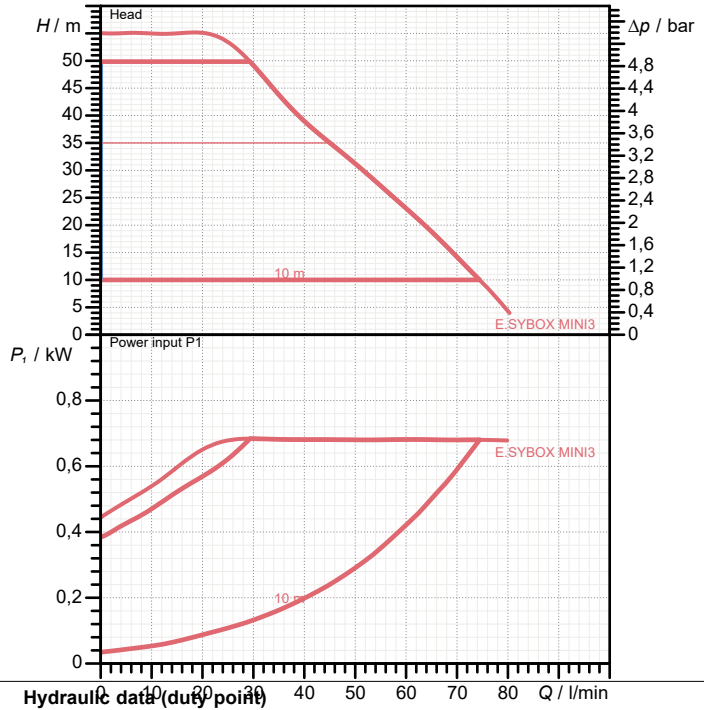
Materials

Motor liner : Stainless Steel AISI 304
OR ring : NBR
Mechanical seal : Impregnated carbon-resin/Ceramic/NBR
Plugs : PA 6.6 30% FV / PP OMO 30% GF
Suction body : PP OMO 30% GF
Insert : Brass
Spring : AISI 303
Diffuser : Noryl
Impeller : Noryl
Discharge section : PP OMO 30% GF
Non-return valve : Technopolymer/Rubber/Steel
Tank : Technopolymer/Rubber
Pressure sensor body : Technopolymer
MOTOR BODY : PP OMO 30% GF
Seal disk : PA 6.6 30% GF
Selfpriming shutter : POM
Heat sink : Brass
Flowmeter wheel : POM

Motor data

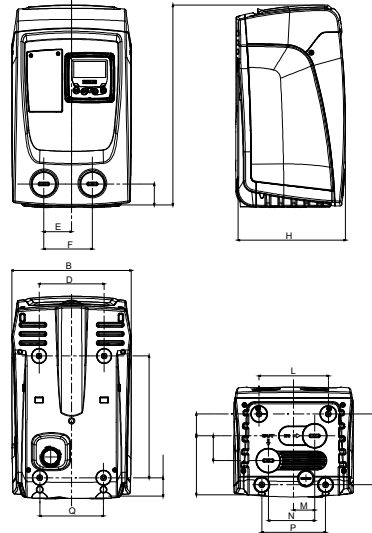
Power input P1 : 0,85 kW
Rated speed : 3.000 1/min
Rated voltage : 1~ 220-240 V 50 Hz
Nominal current : 4,8 A
Degree of protection : IP X4

Curve tolerance according to ISO 9906



Hydraulic data (duty point)

Flow :
Head :



Dimensions in mm

A	439	G	279,5	P	140		
B	263	H	236	Q	140		
C	46	I	40,5	R	155,5		
D	143	L	152	S	47,8		
E	60,7	M	46	T	133		
F	106,7	N	101,7	V	54,5		

Weight : 14,6 kg

Pump connection

Suction side : 1" G / 7,5 bar (750 kPa)
Discharge side : 1" G / 7,5 bar (750 kPa)

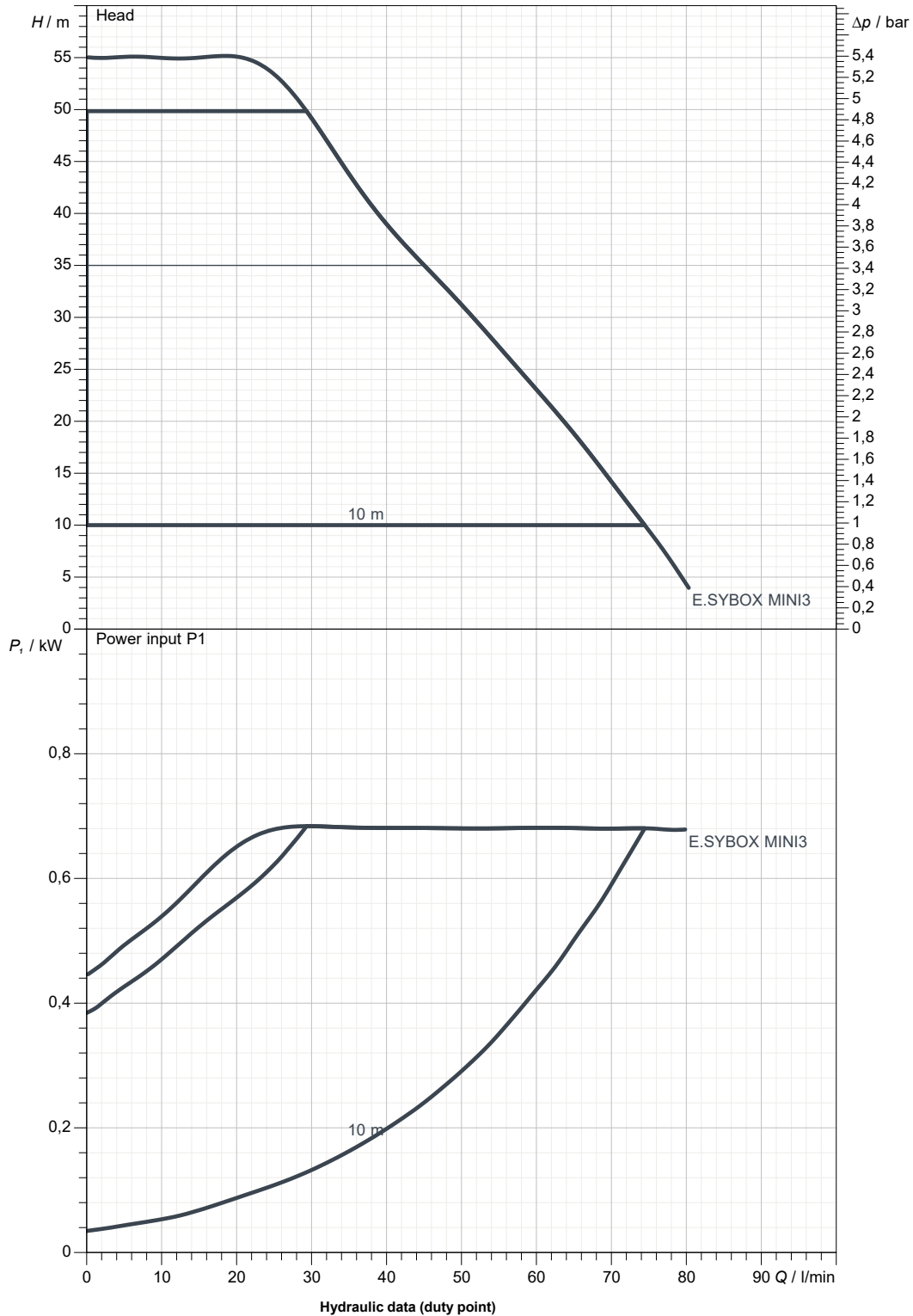
Receiver

From

 Society
 Reference
 Address
 Phone
 Fax
 E-mail

E.SYBOX MINI 3

Curve tolerance according to ISO 9906


 Suction side :
 1" G
 7,5 bar (750 kPa)

 Discharge side :
 1" G
 7,5 bar (750 kPa)

Flow :

Head :

 Rated speed :
 3.000 1/min

MAIN_PROJECT_TITLE

BUSINESS_PROCESS_ID

OWNER_

ISSUE_DATE

2020-04-22



DIMENSIONAL DRAWING

2020-04-22

Page 3 / 3

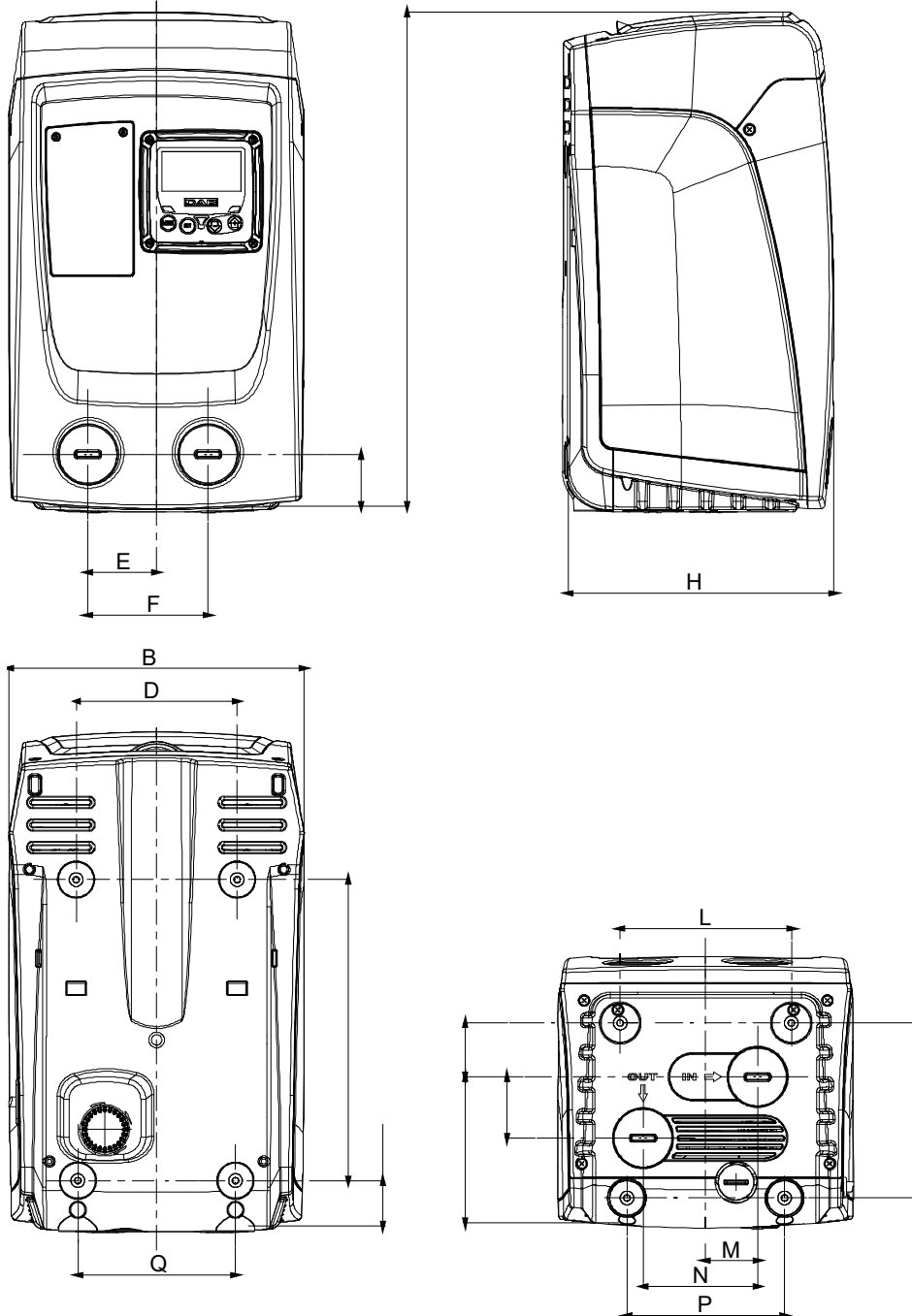
DAB PUMPS S.p.A.
Via Marco Polo, 14 - 35035 Mestrino (PD), Italy
Tel. +39 049 5125000 - Fax +39 049 5125950
www.dabpumps.com

Receiver

From

Society
Reference
Address
Phone
Fax
E-mail

E.SYBOX MINI 3



Dimensions in mm

Pump connection

1	A	439	P	140			
2	B	263	Q	140			Suction
3	C	46	R	155,5			1" G
4	D	143	S	47,8			7,5 bar (750 kPa)
5	E	60,7	T	133			
6	F	106,7	V	54,5			Discharge
7	G	279,5					1" G
8	H	236					7,5 bar (750 kPa)
9	I	40,5					
10	L	152					
11	M	46					
12	N	101,7					

MAIN_PROJECT_TITLE

BUSINESS_PROCESS_ID

OWNER

ISSUE_DATE

2020-04-22