

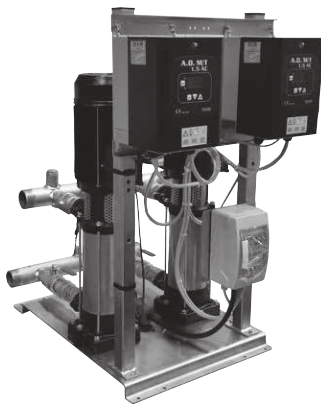
2 KVE ADAC

CONSTANT PRESSURE SETS WITH ADAC MULTI INVERTER SYSTEM



2 KVE ADAC

CONSTANT PRESSURE SETS WITH ADAC MULTI INVERTER SYSTEM



TECHNICAL DATA

Line voltage: 400V three phase
Voltage of electric pump: 400V three phase
Power frequency: 50-60 Hz
Installation: vertical only
Pumped liquid temperature range: from 0 °C to 80 °C
Maximum ambient temperature: 40°C

APPLICATIONS

The sets with on-board inverter have been designed and manufactured to meet the constant pressure requirements of modern system engineering solutions. The constant pressure adjustment is a requirement in the most varied sectors: Water pipelines, Irrigation, Industry, Hotel, Residential building, Spas. The fundamental concept that has driven our Engineers in developing these pumps sets, was to offer a simple to use, flexible, and extremely reliable product. Differently from traditional fixed speed pumps, inverter driven pumps give the possibility to adapt the performance curve to the needs of the system. In the most classic case, inverter driven pumps are used to maintain constant pressure in the system against variations in the requested flow rate, avoiding pressure fluctuations caused by small flow rate variations.

ADVANTAGES OF USE

Operating pressure stability – Excellent energy savings (up to 60 %) – Reduced hammering effects – Reduced space requirements – Less maintenance – Reduced pump wear – Less power factor correction required – Less water consumption – Integrated protections.

CONSTRUCTION FEATURES

The sets with ADAC inverters are built in the standard version with two centrifugal electric pumps, completely assembled on galvanised steel base, tested and ready for installation. Complete with isolator and check valves for each pump, suction and delivery manifolds, expansion vessels, pressure sensor, inverter, protection control unit. (possibility of optional flow sensor for pressure control).

ADAC MULTI INVERTER SYSTEM

The inverter continuously adjusts the rotation speed of the electric pump, keeping the pressure constant, even when the flow rate varies. The other electric pumps, also with variable speed, are activated in cascade after the first one has reached maximum speed. Through modulation, they compensate the pressure fluctuations of the system.

For every operating cycle, it is possible to switch the restart to a different pump, therefore ensuring even use of all electric pumps. It is possible to set operation times for each individual pump, switching to another pump after such set times. The „SP“ pressure can be adjusted by the user using the „+“ and „-“ keys found on the ADAC (as a rule, all the pumps are set to the same pressure value). With the new ADAC, it is sufficient to set the data on one of the devices, and it will automatically be propagated to the other pumps of the system.

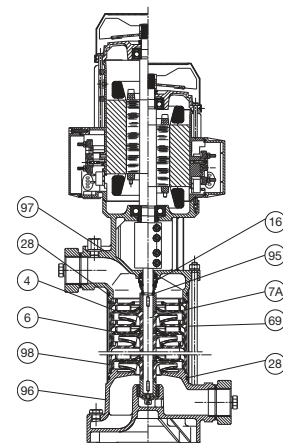
ELECTRIC COMPONENTS SUPPLIED

ADAC inverter with the following features:

Abnormal voltage protection. Adjustable amperometric protection. Dry run protection (without minimum manometer). Output phases short circuit protection. Overtemperature and overvoltage protection. Anti-seizing and anti-freeze functions. Pressure sensor fault. Thermal magnetic protection control unit (simplified connection). Pressure sensor on the delivery manifold.

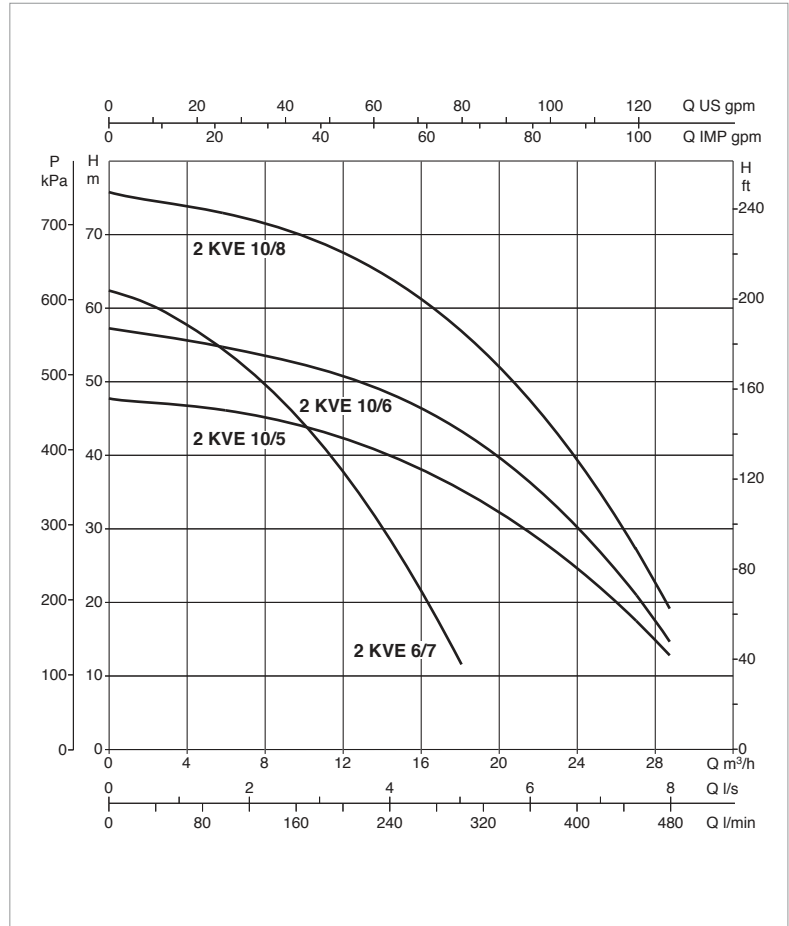
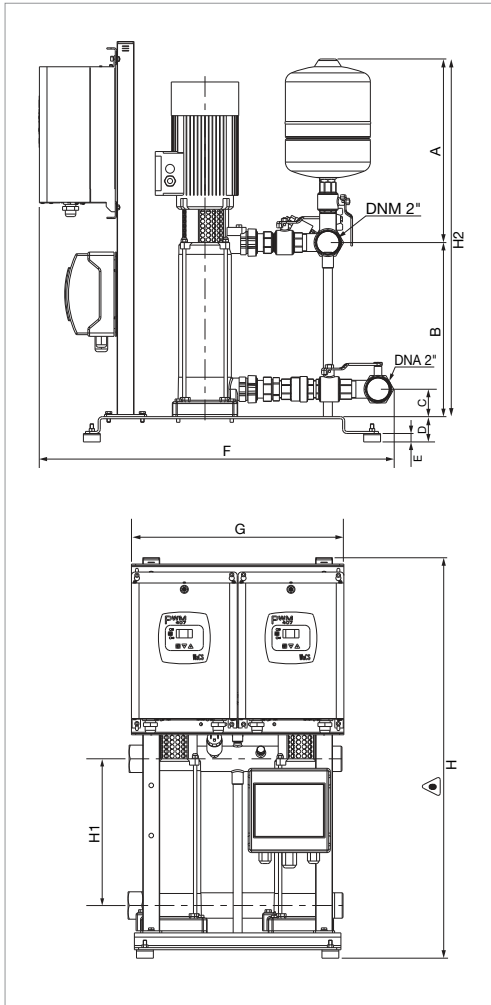
MATERIALS

N.	PARTS	MATERIALS
4	IMPELLER	TECHNOPOLYMER B
6	DIFFUSER	TECHNOPOLYMER B
7A	PUMP SHAFT	AISI 416 STAINLESS STEEL X12 CrS 13 UNI 6900/71
16	MECHANICAL SEAL	CARBON / CERAMIC
28	OR RING	EPDM RUBBER
69	LINER	AISI 304 STAINLESS STEEL X5 CrNi 1810 UNI 6900/71
95	OR RING	EPDM RUBBER
96	SUCTION BODY	CAST IRON 200 UNI ISO 185
97	DELIVERY BODY	CAST IRON 200 UNI ISO 185
98	DIFFUSER BODY	TECHNOPOLYMER B



2 KVE ADAC - RESIDENTIAL CONSTANT PRESSURE BOOSTER SETS

Pumped liquid temperature range: from -0°C to +80°C - Maximum ambient temperature: +40°C



The performance curves are based on kinematic viscosity values = 1 mm²/s and density equal to 1000 kg/m³.
Curve tolerance according to ISO 9906.

Overall performance taking into account TWO pumps working at the same time.

MODEL	POWER INPUT 50 Hz	P2 NOMINAL		In A	Q MIN - MAX m ³ /h	ADJUSTABLE PRESSURE MAX - MIN BAR
		kW	HP			
2 KVE 6/7 T ADAC	3x400+N	2x1,1	2x1,5	2x7,3	2 - 17	6 - 2
2 KVE 10/5 T ADAC	3x400+N	2x1,5	2x2	2x8,3	3 - 29	5 - 2,5
2 KVE 10/6 T ADAC	3x400+N	2x1,85	2x2,5	2x9,5	3 - 29	5,5 - 2
2 KVE 10/8 T ADAC	3x400 V	2x2,2	2x3	2x6,8	3 - 29	7 - 3

MODEL	A	B	C	D	E	F	G	H	H1	H2	MANIFOLDS		WEIGHT kg
											DNA	DNM	
2 KVE 6/7 T ADAC	436	376	65	60	20	833	510	950	343	376	2"	2"	100
2 KVE 10/5 T ADAC	436	312	65	60	20	833	510	950	343	312	2"	2"	101
2 KVE 10/6 T ADAC	436	344	65	60	20	833	510	950	343	344	2"	2"	104
2 KVE 10/8 T ADAC	436	408	65	60	20	833	510	950	343	408	2"	2"	122

DNA[®]

PUMPS SELECTOR



On-line product selection



DAB PUMPS LTD.

Unit 4 and 5, Stortford Hall Industrial Park,
Dunmow Road,
Bishops Stortford,
Herts
CM23 5GZ - UK
salesuk@dwtgroup.com
Tel. +44 1279 652 776
Fax +44 1279 657 727



DAB PUMPS IBERICA S.L.

Avenida de Castilla nr.1 Local 14
28830 - San Fernando De Henares - Madrid
Spain
info.spain@dwtgroup.com
Tel. +34 91 6569545
Fax: +34 91 6569676



DAB PUMPS INC.

3226 Benchmark Drive
Ladson, SC 29456 - USA
info.usa@dwtgroup.com
Tel. 1-843-824-6332
Toll Free 1-866-896-4DAB (4322)
Fax 1-843-797-3366



DAB PUMPS B.V.

Brusselstraat 150
B-1702 Groot-Bijgaarden - Belgium
info.belgium@dwtgroup.com
Tel. +32 2 4668353
Fax +32 2 4669218



DAB PRODUCTION HUNGARY KFT.

H-8800
Nagykanizsa, Buda Ernó u.5
Hungary
Tel. +36 93501700



DWT SOUTH AFRICA

Podium at Menlyn,
3rd Floor, Unit 3001b, 43 Ingersol Road,
C/O Lois and Atterbury street,
Menlyn, Pretoria, 0181 - South-Africa
info.sa@dwtgroup.com
Tel. +27 12 361 3997
Fax +27 12 361 3137



DAB PUMPS B.V.

Albert Einsteinweg, 4
5151 DL Drunen - Nederland
info.netherlands@dwtgroup.com
Tel. +31 416 387280
Fax +31 416 387299



DAB PUMPS POLAND Sp. z o.o.

Mokotów Marynarska
ul. Postępu 15C
02-676 Warszawa - Poland
polska@dabpumps.com.pl
Tel. +48 223 816 085



DAB PUMPS CHINA

No.40 Kaituo Road, Qingdao Economic & Technological
Development Zone
Qingdao City, Shandong Province - China
PC: 266500
info.china@dwtgroup.com
Tel. +8653286812030-6270
Fax +8653286812210



DAB UKRAINE Representative Office

Regus Horizon Park
4 M. Hrinchenka St, suit 147
03680 Kiev - Ukraine
Tel. +38 044 391 59 43



DAB PUMPEN DEUTSCHLAND GmbH

Tackweg 11
D - 47918 Tönisvorst - Germany
info.germany@dwtgroup.com
Tel. +49 2151 82136-0
Fax +49 2151 82136-36



OOO DAB PUMPS

Novgorodskaya str. 1, block G
office 308, 127247, Moscow - Russia
info.russia@dwtgroup.com
Tel. +7 495 122 0035
Fax +7 495 122 0036



DAB PUMPS DE MÉXICO, S.A. DE C.V.

Av Gral Álvaro Obregón 270, oficina 355
Hipódromo, Cuauhtémoc 06100
México, D.F.
Tel. +52 55 6719 0493