

Receiver

From

Society
Reference
Address
Phone
Fax
E-mail

Item n° :

60152453

Model :

K 55/200 M

Pump data

MEI \geq 0,70

Pressure rating : 8 bar (800 kPa)

Min. fluid temperature : -15 °C

Max. fluid temperature : 110 °C

Max. Ambient temperature : 40 °C

Requested data

Flow :

Head :

Fluid : Water

Fluid Temperature : 20 °C

Density : 998,3 kg/m³

Kinematic viscosity : 1,005 mm²/s

Vapor pressure : 2,34 kPa

Hydraulic data (duty point)

Flow :

Head :

NPSH :

Shaft power P₂ :

Efficiency :

Materials

Pump body Cast iron 200 UNI ISO 185

Support Cast iron 200 UNI ISO 185

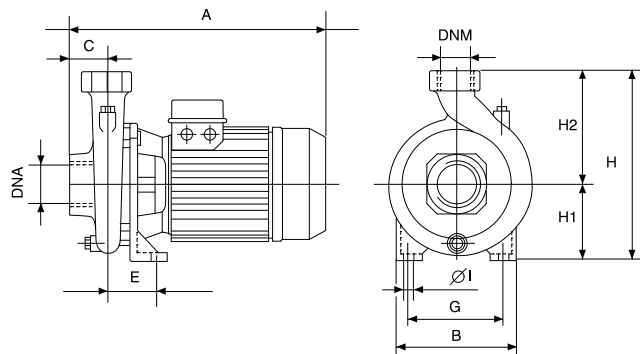
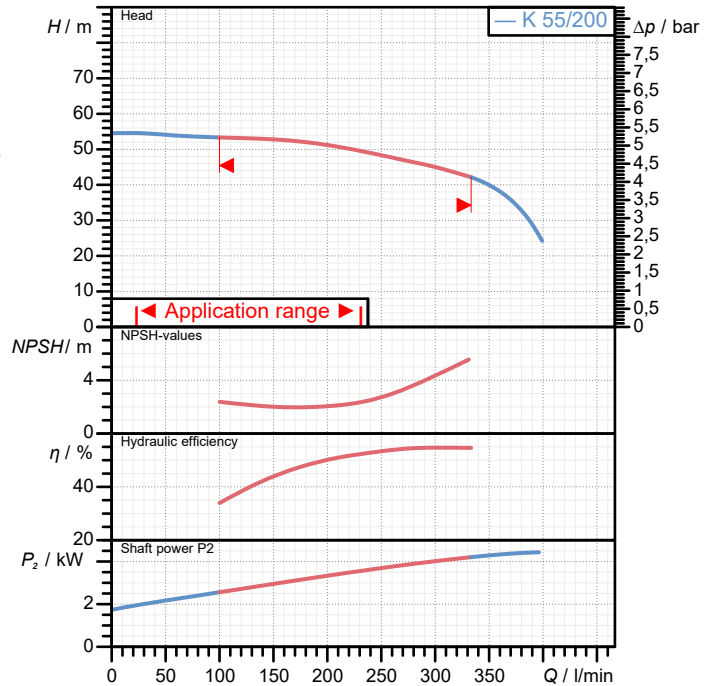
Impeller Technopolymer B

Mechanical seal Carbon/Ceramic

OR ring EPDM Rubber

Shaft with rotor AISI 303 X10 CrNiS 1809 UNI 6900/71

Curve tolerance according to ISO 9906



Weight : 39 kg

Motor data

Motor brand : DAB

Nominal power P₂ : 4 kW

Rated speed : 2.830 1/min

Rated voltage : 1~ 230 V 50 Hz

Nominal current : 21,8 A

Degree of protection : IP 55

Dimensions in mm

A	425
B	250
C	55
DNA	2" G
DNM	1 1/4" G
E	86
G	175
H	320
H1	135
H2	185
∅	14

Pump connection

Suction side : 2" G / 8 bar (800 kPa)

Discharge side : 1" 1/4 G / 8 bar (800 kPa)



PERFORMANCE CURVES

2020-04-23

Page 2 / 3

DAB PUMPS S.p.A.
Via Marco Polo, 14 - 35035 Mestrino (PD), Italy
Tel. +39 049 5125000 - Fax +39 049 5125950
www.dabpumps.com

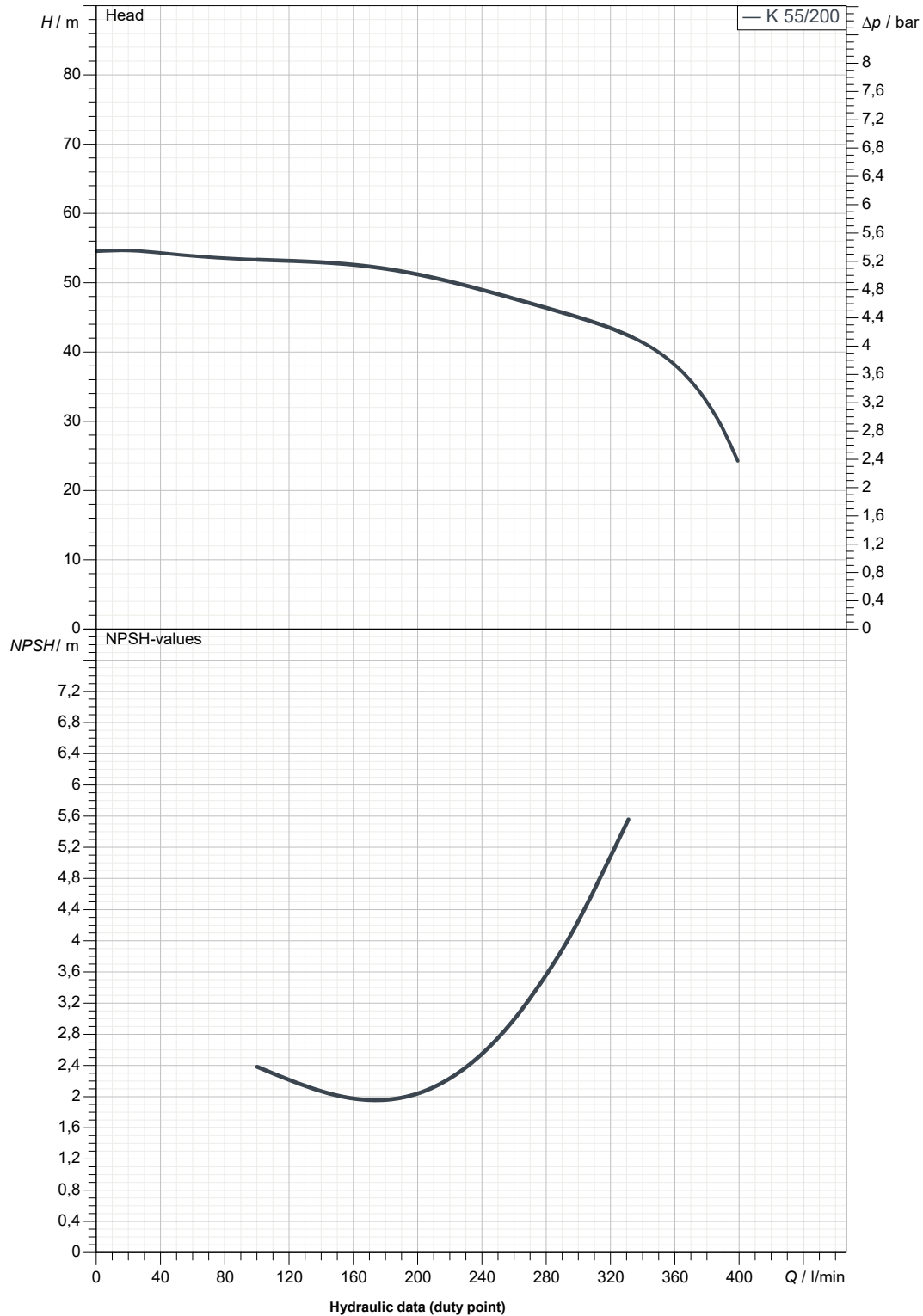
Receiver

From

Society
Reference
Address
Phone
Fax
E-mail

K 55/200 M

Curve tolerance according to ISO 9906



Suction side :
2" G
8 bar (800 kPa)

Discharge side :
1" 1/4 G
8 bar (800 kPa)

Flow :

Head :

Rated speed :
2.830 1/min

MAIN_PROJECT_TITLE

BUSINESS_PROCESS_ID

OWNER_

ISSUE_DATE
2020-04-23



DIMENSIONAL DRAWING

2020-04-23

Page 3 / 3

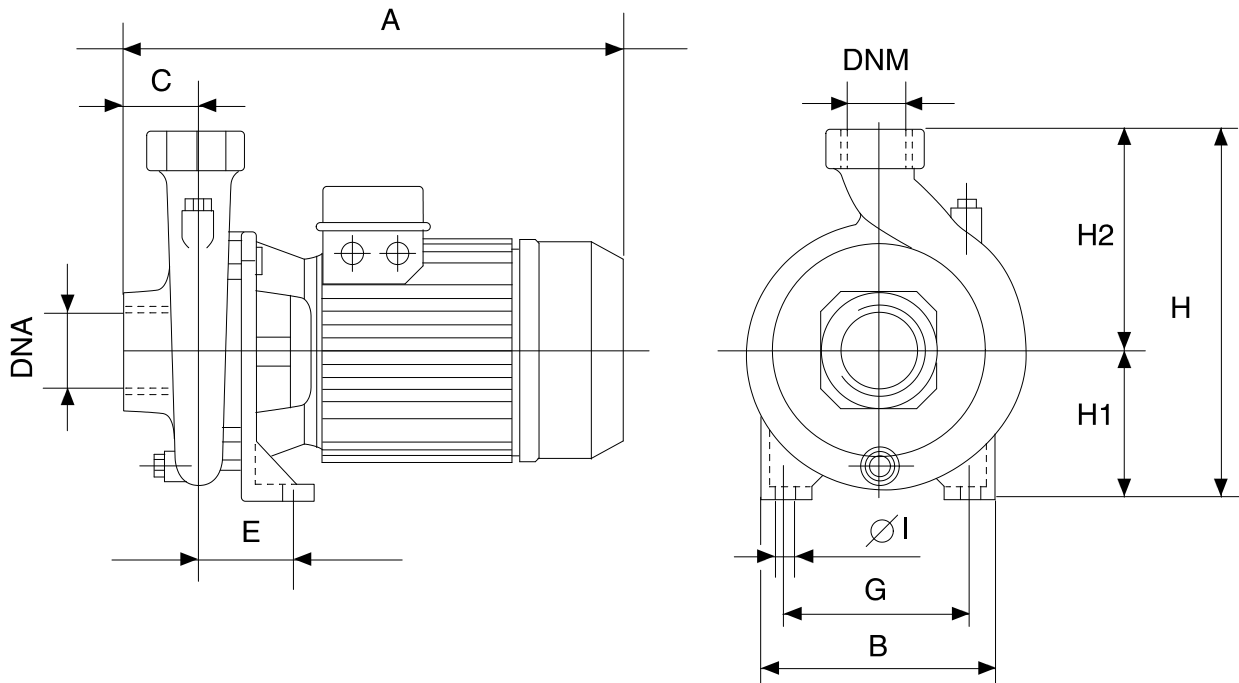
DAB PUMPS S.p.A.
Via Marco Polo, 14 - 35035 Mestrino (PD), Italy
Tel. +39 049 5125000 - Fax +39 049 5125950
www.dabpumps.com

Receiver

From

Society
Reference
Address
Phone
Fax
E-mail

K 55/200 M



Dimensions in mm					Pump connection	
1	A	425				
2	B	250				Suction
3	C	55				2" G
4	DNA	2" G				8 bar (800 kPa)
5	DNM	1 1/4" G				
6	E	86				Discharge
7	G	175				1" 1/4 G
8	H	320				8 bar (800 kPa)
9	H1	135				
10	H2	185				
11	Ø	14				
12						

MAIN_PROJECT_TITLE	BUSINESS_PROCESS_ID	OWNER	ISSUE_DATE 2020-04-23
--------------------	---------------------	-------	--------------------------