

Receiver

From

Society
Reference
Address
Phone
Fax
E-mail

Item n° :

102121002

Model :

K 35/100 M

Pump data

MEI ≥

Pressure rating : 6 bar (600 kPa)

Min. fluid temperature : -10 °C

Max. fluid temperature : 50 °C

Max. Ambient temperature : 40 °C

Requested data

Flow :

Head :

Fluid : Water

Fluid Temperature : 20 °C

Density : 998,3 kg/m³

Kinematic viscosity : 1,005 mm²/s

Vapor pressure : 2,34 kPa

Hydraulic data (duty point)

Flow :

Head :

NPSH :

Shaft power P₂ :

Efficiency :

Materials

Pump body Cast iron 200 UNI ISO 185

Support Cast iron 200 UNI ISO 185

Impeller Technopolymer A

Mechanical seal Carbon/Ceramic

OR ring NBR Rubber

Shaft with rotor AISI 303 X10 CrNiS 1809 UNI 6900/71

Intermediate cover Cast iron 200 UNI ISO 185

Motor data

Motor brand : DAB

Nominal power P₂ : 1,1 kW

Rated speed : 2.780 1/min

Rated voltage : 1~ 220-240 V 50 Hz

Nominal current : 7,1 A

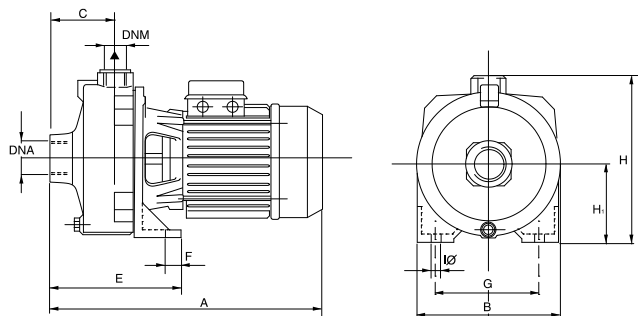
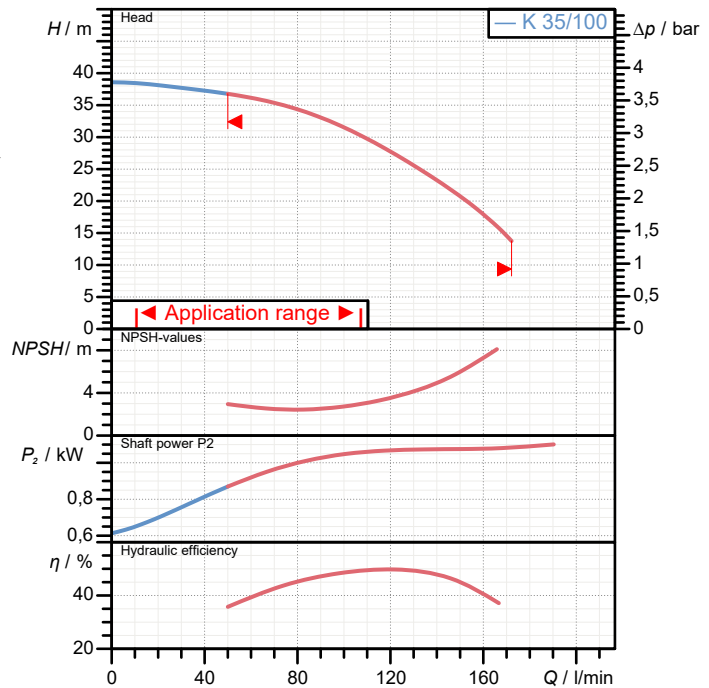
Degree of protection : IP 44

Pump connection

Suction side : 1" 1/2 G / 6 bar (600 kPa)

Discharge side : 1" G / 6 bar (600 kPa)

Curve tolerance according to ISO 9906



Weight : 22 kg

Dimensions in mm

A	387
B	205
C	88
DNA	1"1/2 G
DNM	1" G
E	169
F	20
G	145
H	233
H1	108
IØ	11



WATER • TECHNOLOGY

PERFORMANCE CURVES

2020-04-24

Page 2 / 3

DAB PUMPS S.p.A.
Via Marco Polo, 14 - 35035 Mestrino (PD), Italy
Tel. +39 049 5125000 - Fax +39 049 5125950
www.dabpumps.com

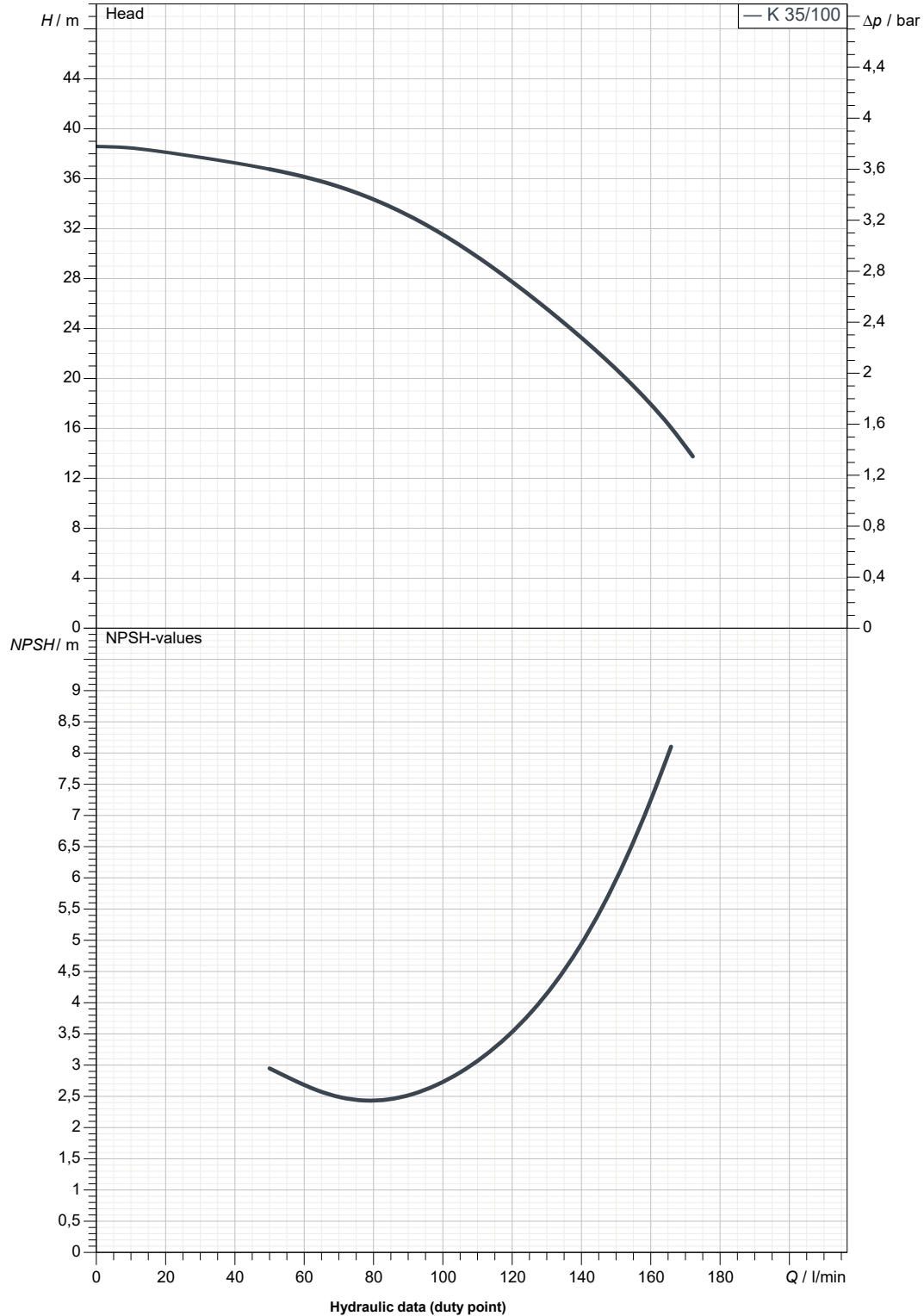
Receiver

From

Society
Reference
Address
Phone
Fax
E-mail

K 35/100 M

Curve tolerance according to ISO 9906



Suction side :
1" 1/2 G
6 bar (600 kPa)

Discharge side :
1" G
6 bar (600 kPa)

Flow :

Head :

Rated speed :
2.780 1/min

MAIN_PROJECT_TITLE

BUSINESS_PROCESS_ID

OWNER_

ISSUE_DATE
2020-04-24



DIMENSIONAL DRAWING

2020-04-24

Page 3 / 3

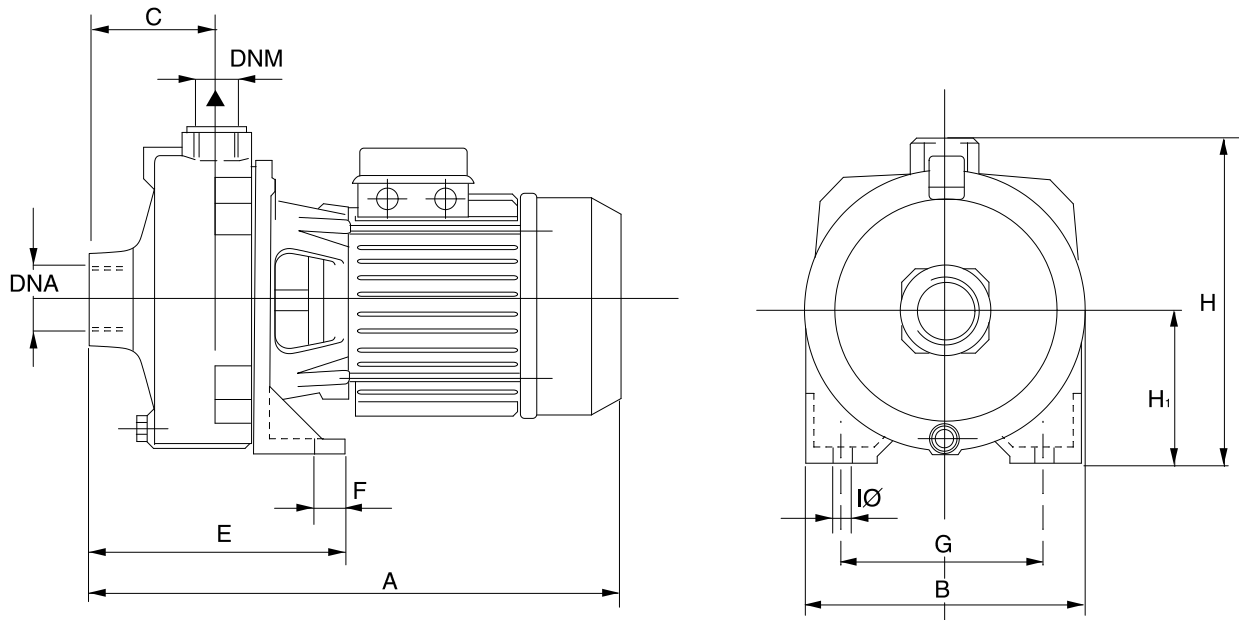
DAB PUMPS S.p.A.
Via Marco Polo, 14 - 35035 Mestrino (PD), Italy
Tel. +39 049 5125000 - Fax +39 049 5125950
www.dabpumps.com

Receiver

From

Society
Reference
Address
Phone
Fax
E-mail

K 35/100 M



Dimensions in mm				Pump connection	
1	A	387			
2	B	205			Suction
3	C	88			1" 1/2 G
4	DNA	1"1/2 G			6 bar (600 kPa)
5	DNM	1" G			
6	E	169			Discharge
7	F	20			1" G
8	G	145			6 bar (600 kPa)
9	H	233			
10	H _i	108			
11	Ø	11			
12					

MAIN_PROJECT_TITLE	BUSINESS_PROCESS_ID	OWNER	ISSUE_DATE 2020-04-24
--------------------	---------------------	-------	---------------------------------