

Receiver
From

 Society
 Reference
 Address
 Phone
 Fax
 E-mail

Item n° :

60141934

Model :

KPF 45/20 M

Pump data

Impeller size

Pressure rating : 10 bar (1000 KPa)

Min. fluid temperature : -10 °C

Max. fluid temperature : 50 °C

Max. Ambient temperature : 40 °C

Requested data

Flow :

Head :

Fluid : Water

Fluid Temperature : 20 °C

 Density : 998,3 kg/m³

 Kinematic viscosity : 1,005 mm²/s

Vapor pressure : 2,34 kPa

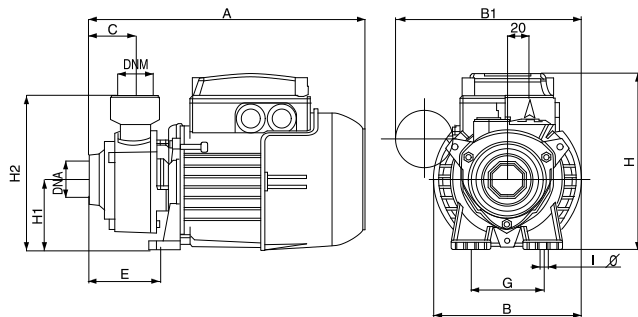
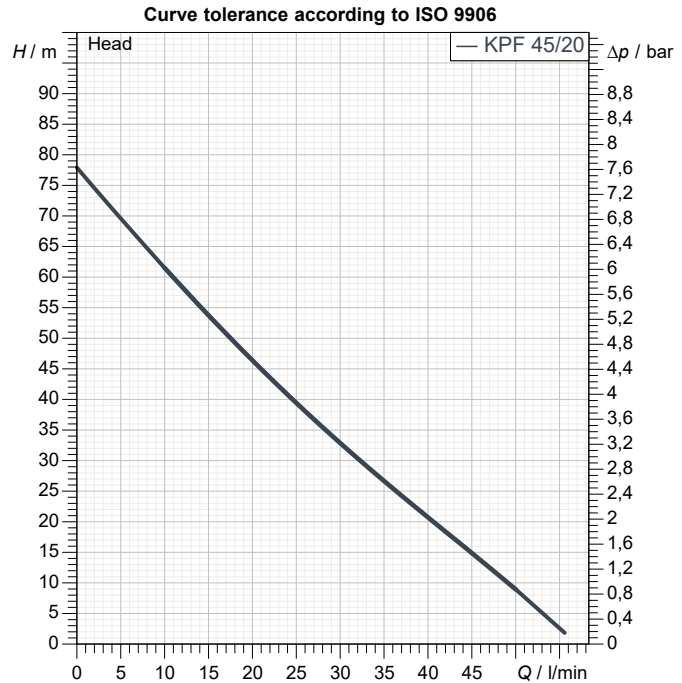
Hydraulic data (duty point)

Flow :

Head :

Materials

Pump body	Cast iron 200 UNI ISO 185
Impeller	Brass P Cu Zn40 Pb2 UNI 5705/65
Shaft with rotor	AISI 416 X12 CrS 13 UNI 6900/71
Support	Cast iron 200 UNI ISO 185
Mechanical seal	Carbon/Ceramic
OR ring	NBR


Weight : 12 kg

Motor data

Motor brand :	DAB	
Nominal power P2 :	1 kW	
Rated speed :	2.800 1/min	
Rated voltage :	1~ 220-240 V	50 Hz
Nominal current :	6,7 A	
Degree of protection :	IP 44	

Dimensions in mm

A	314
B	155
C	55
DNA	1" G
DNM	1" G
E	95
G	112
H	188
H1	78
H2	163
I Ø	7

Pump connection

Suction side :	1" G / 10 bar (1000 KPa)
Discharge side :	1" G / 10 bar (1000 KPa)



WATER • TECHNOLOGY

PERFORMANCE CURVES

2020-04-23

Page 2 / 3

DAB PUMPS S.p.A.
Via Marco Polo, 14 - 35035 Mestrino (PD), Italy
Tel. +39 049 5125000 - Fax +39 049 5125950
www.dabpumps.com

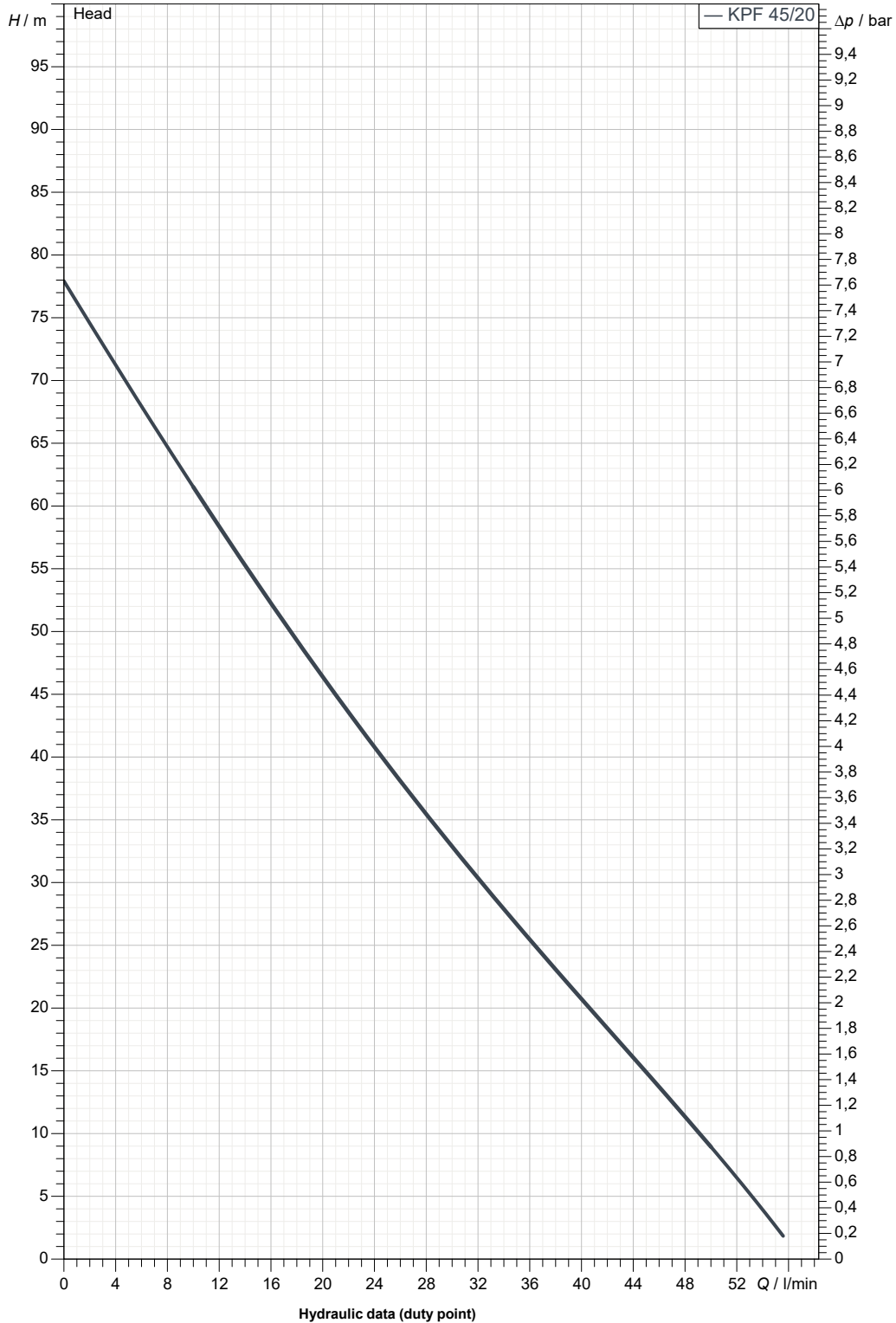
Receiver

From

Society
Reference
Address
Phone
Fax
E-mail

KPF 45/20 M

Curve tolerance according to ISO 9906



Suction side :
1" G
10 bar (1000 KPa)

Discharge side :
1" G
10 bar (1000 KPa)

Flow :

Head :

Rated speed :
2.800 1/min

MAIN_PROJECT_TITLE

BUSINESS_PROCESS_IC

OWNER_

ISSUE_DATE
2020-04-23



DIMENSIONAL DRAWING

2020-04-23

Page 3 / 3

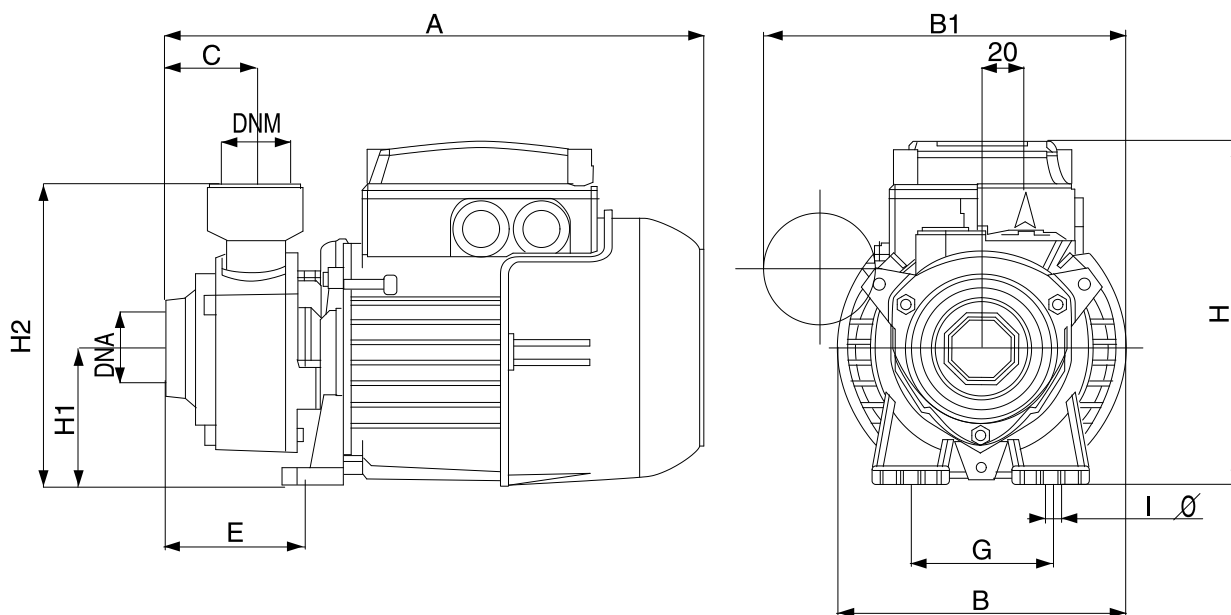
DAB PUMPS S.p.A.
Via Marco Polo, 14 - 35035 Mestrino (PD), Italy
Tel. +39 049 5125000 - Fax +39 049 5125950
www.dabpumps.com

Receiver

From

Society
Reference
Address
Phone
Fax
E-mail

KPF 45/20 M



Dimensions in mm

Pump connection

1	A	314					
2	B	155					Suction
3	C	55					1" G
4	DNA	1" G					10 bar (1000 KPa)
5	DNM	1" G					
6	E	95					Discharge
7	G	112					1" G
8	H	188					10 bar (1000 KPa)
9	H1	78					
10	H2	163					
11	I Ø	7					
12							

MAIN_PROJECT_TITLE

BUSINESS_PROCESS_ID

OWNER

ISSUE_DATE

2020-04-23