

Receiver
From

 Society
 Reference
 Address
 Phone
 Fax
 E-mail

Item n° :

101110400

Model :

KPF 30/16 M

Pump data

Impeller size

Pressure rating : 6 bar (600 kPa)

Min. fluid temperature : -10 °C

Max. fluid temperature : 50 °C

Max. Ambient temperature : 40 °C

Requested data

Flow :

Head :

Fluid : Water

Fluid Temperature : 20 °C

 Density : 998,3 kg/m³

 Kinematic viscosity : 1,005 mm²/s

Vapor pressure : 2,34 kPa

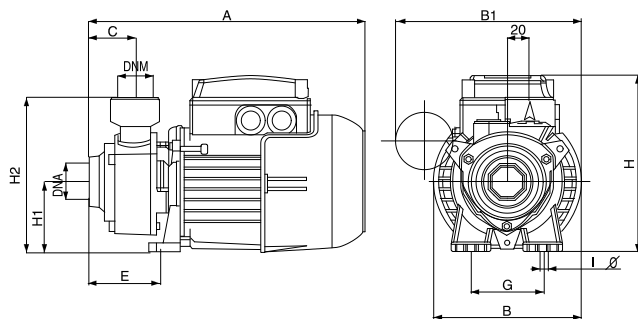
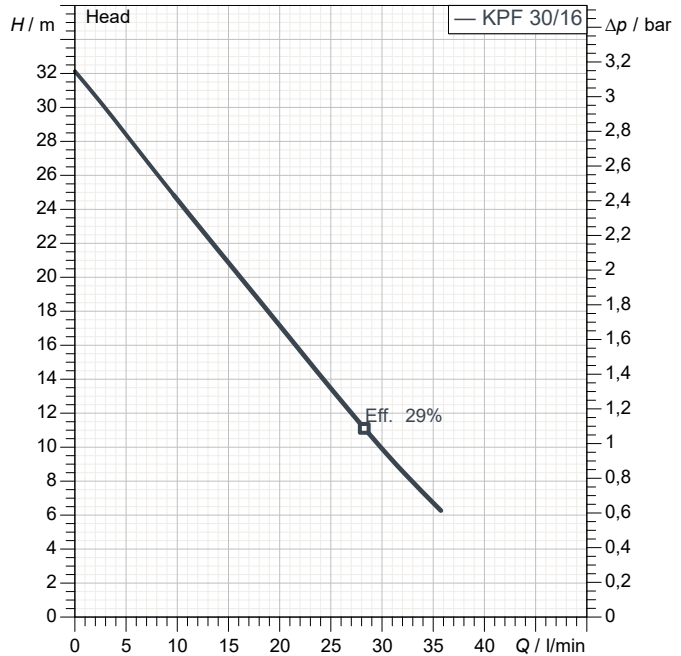
Hydraulic data (duty point)

Flow :

Head :

Materials

Pump body	Cast iron 200 UNI ISO 185
Impeller	Brass P Cu Zn40 Pb2 UNI 5705/65
Shaft with rotor	AISI 416 X12 CrS 13 UNI 6900/71
Support	Cast iron 200 UNI ISO 185
Mechanical seal	Carbon/Ceramic
OR ring	NBR

Curve tolerance according to ISO 9906

Weight : 5,4 kg

Motor data

Motor brand :	DAB	
Nominal power P2 :	0,37 kW	
Rated speed :	2.800 1/min	
Rated voltage :	1~ 220-240 V	50 Hz
Nominal current :	2,37 A	
Degree of protection :	IP 44	

Dimensions in mm

A	247
B	132
B1	165
C	42
DNA	1" G
DNM	1" G
E	64
G	65
H	158
H1	63
H2	138
I Ø	8

Pump connection

Suction side :	1" G / 6 bar (600 kPa)
Discharge side :	1" G / 6 bar (600 kPa)



PERFORMANCE CURVES

2020-04-23

Page 2 / 3

DAB PUMPS S.p.A.
Via Marco Polo, 14 - 35035 Mestrino (PD), Italy
Tel. +39 049 5125000 - Fax +39 049 5125950
www.dabpumps.com

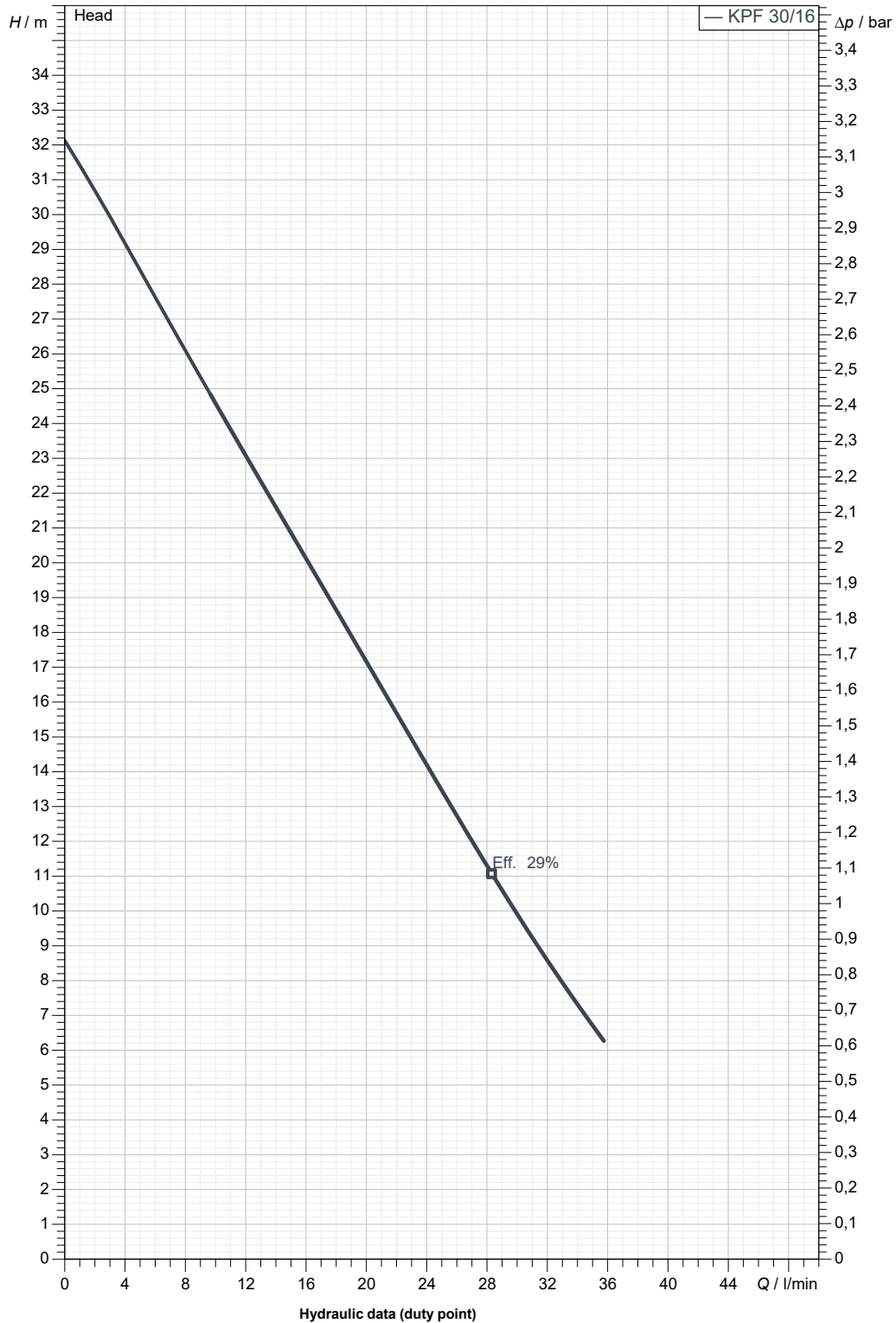
Receiver

From

Society
Reference
Address
Phone
Fax
E-mail

KPF 30/16 M

Curve tolerance according to ISO 9906



Suction side :
1" G
6 bar (600 kPa)

Discharge side :
1" G
6 bar (600 kPa)

Flow :

Head :

Rated speed :
2.800 1/min

MAIN_PROJECT_TITLE

BUSINESS_PROCESS_ID

OWNER_

ISSUE_DATE
2020-04-23



DIMENSIONAL DRAWING

2020-04-23

Page 3 / 3

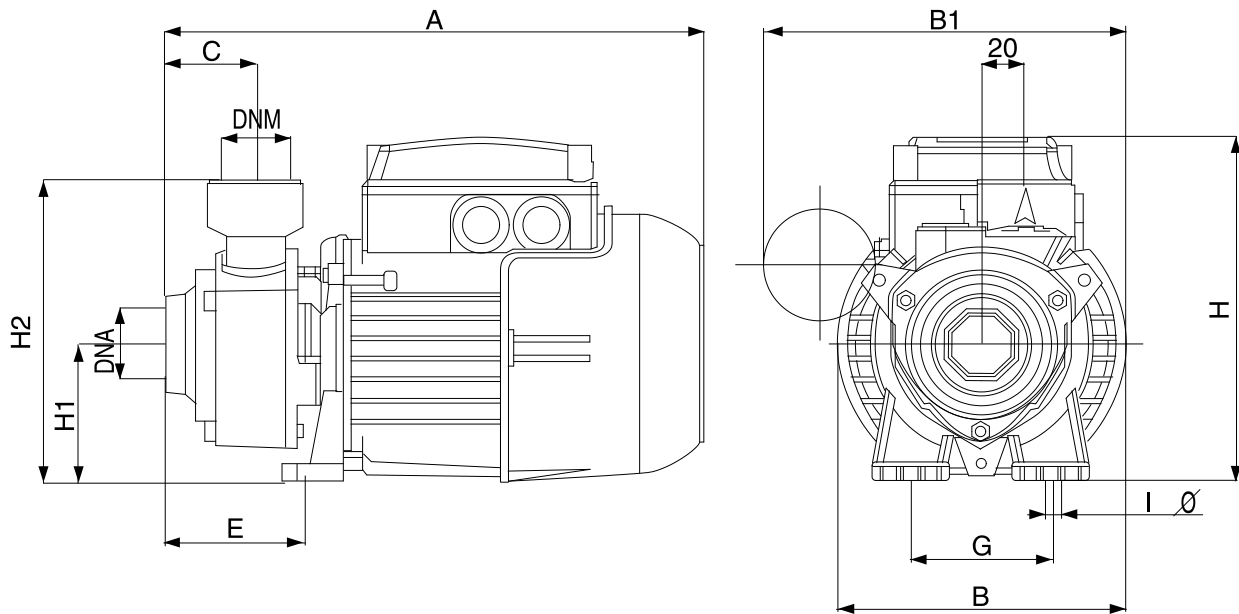
DAB PUMPS S.p.A.
Via Marco Polo, 14 - 35035 Mestrino (PD), Italy
Tel. +39 049 5125000 - Fax +39 049 5125950
www.dabpumps.com

Receiver

From

Society
Reference
Address
Phone
Fax
E-mail

KPF 30/16 M



Dimensions in mm			Pump connection	
1	A	247		
2	B	132		Suction
3	B1	165		1" G
4	C	42		6 bar (600 kPa)
5	DNA	1" G		
6	DNM	1" G		
7	E	64		Discharge
8	G	65		1" G
9	H	158		6 bar (600 kPa)
10	H1	63		
11	H2	138		
12	I Ø	8		

MAIN_PROJECT_TITLE	BUSINESS_PROCESS_ID	OWNER	ISSUE_DATE 2020-04-23
--------------------	---------------------	-------	--------------------------