

Receiver

From

Society
Reference
Address
Phone
Fax
E-mail

Item n° :

103040040

Model :

FEKA VS 750 M - A

Pump data

Free passage : 50 mm

Pressure rating :

Min. fluid temperature : 0

Max. fluid temperature : 50 °C

Max. Ambient temperature : 40 °C

Requested data

Flow :

Head :

Fluid : Water

Fluid Temperature : 20 °C

Density : 998,3 kg/m³

Kinematic viscosity : 1,005 mm²/s

Vapor pressure : 2,34 kPa

Hydraulic data (duty point)

Flow :

Head :

Materials

Pump body Stainless Steel (AISI 304)

Impeller Stainless Steel (AISI 304)

Motor shaft AISI 316

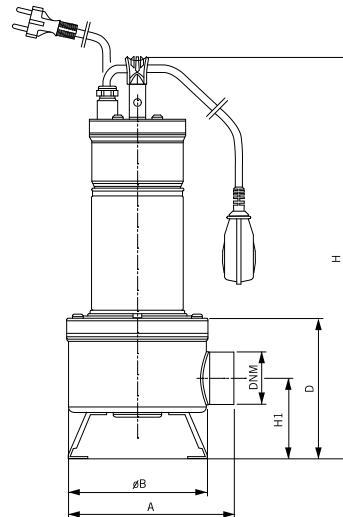
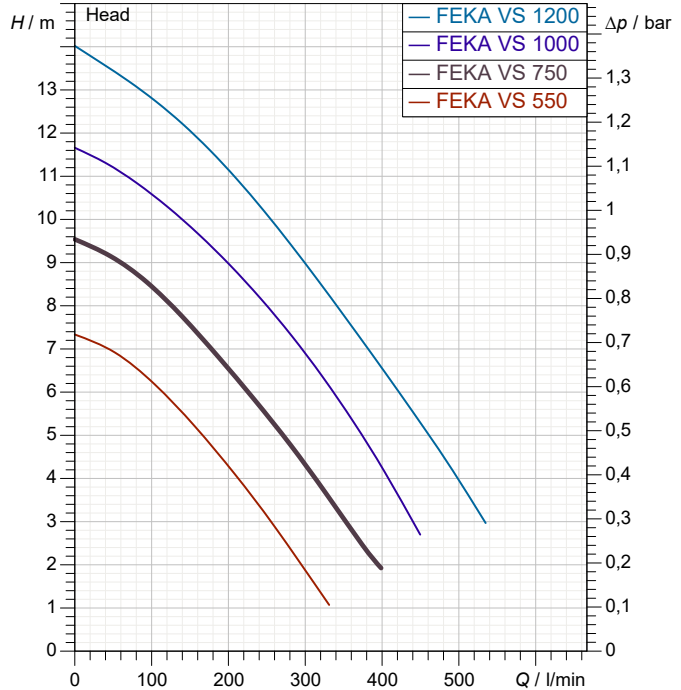
Seal disk Stainless Steel (AISI 304)

Motor casing Stainless Steel (AISI 304)

Protection cover Stainless Steel (AISI 304)

Mechanical seal pump side Silicon carbide/Silicon carbide

Curve tolerance according to ISO 9906



Motor data

Motor brand : DAB

Nominal power P2 : 0,75 kW

Rated speed : 2.800 1/min

Rated voltage : 1~ 220-240 V

50 Hz

Nominal current : 5,13 A

Degree of protection : IP 68

Weight : 17,5 kg

Dimensions in mm

A	203				
B	170				
D	172				
DNM	2" F				
H	492				
H1	98				

Pump connection

Suction side : /
Discharge side : 2" F / --



PERFORMANCE CURVES

2020-04-23

Page 2 / 3

DAB PUMPS S.p.A.
Via Marco Polo, 14 - 35035 Mestrino (PD), Italy
Tel. +39 049 5125000 - Fax +39 049 5125950
www.dabpumps.com

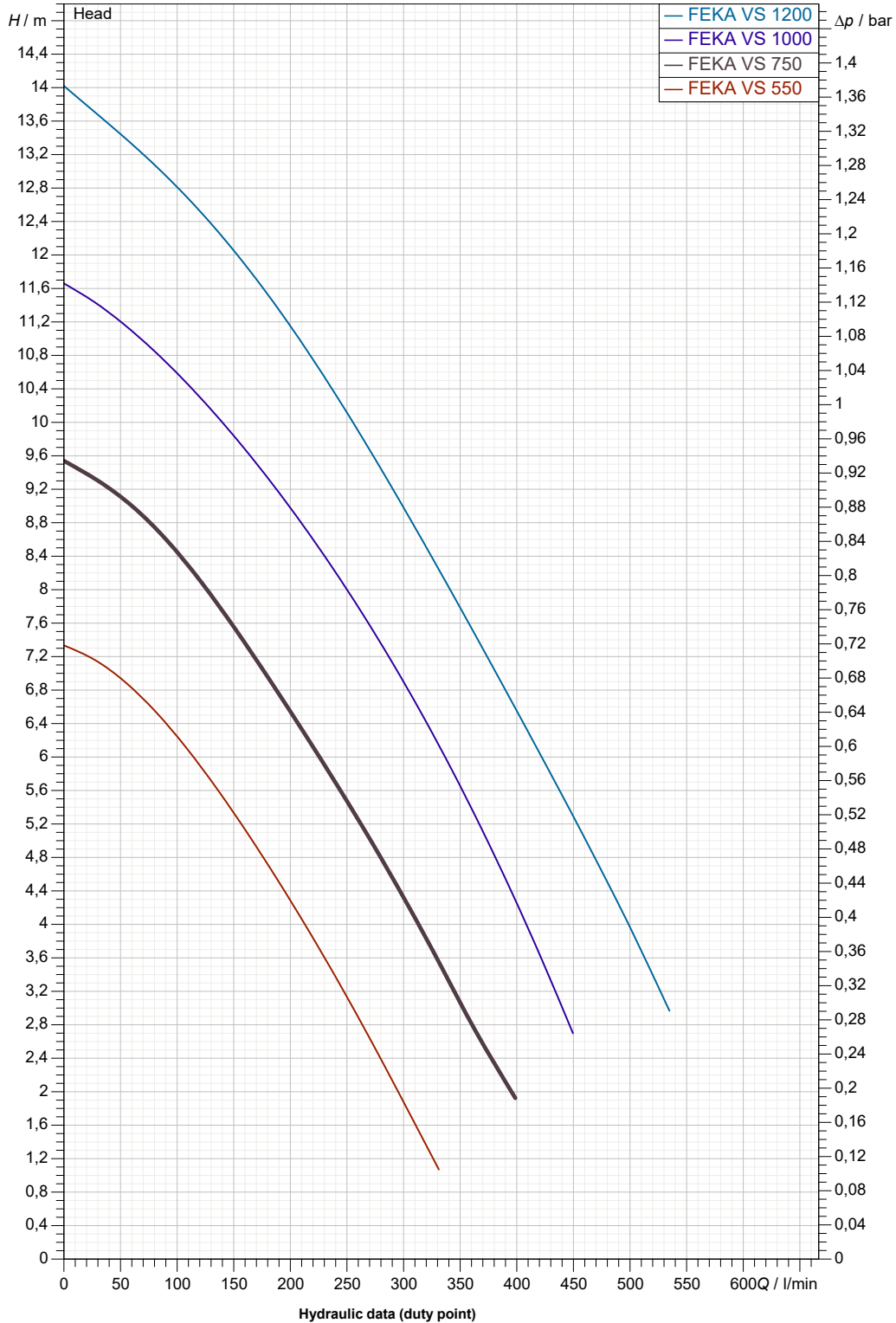
Receiver

From

Society
Reference
Address
Phone
Fax
E-mail

FEKA VS 750 M - A

Curve tolerance according to ISO 9906



Suction side :

Discharge side :
2" F
--

Flow :

Head :

Rated speed :
2.800 1/min

MAIN_PROJECT_TITLE

BUSINESS_PROCESS_ID

OWNER_

ISSUE_DATE

2020-04-23



DIMENSIONAL DRAWING

2020-04-23

Page 3 / 3

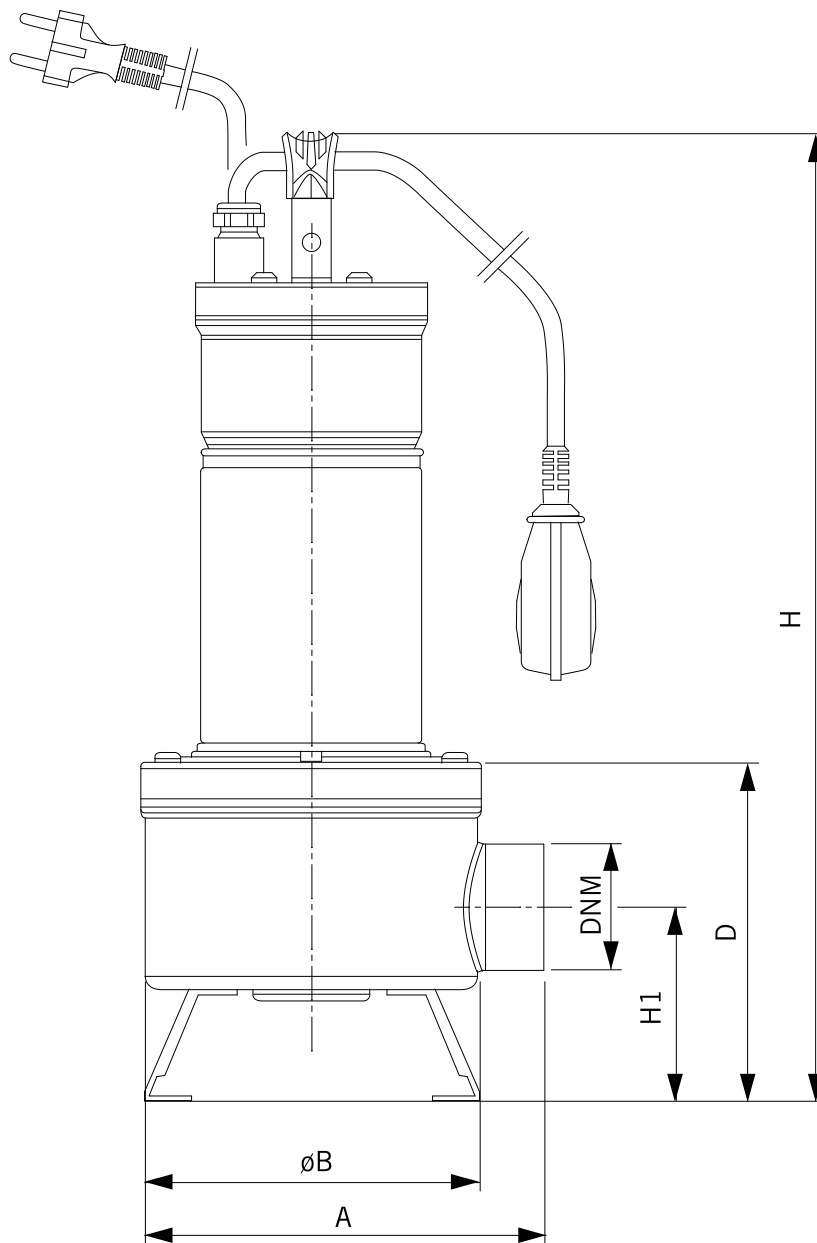
DAB PUMPS S.p.A.
Via Marco Polo, 14 - 35035 Mestrino (PD), Italy
Tel. +39 049 5125000 - Fax +39 049 5125950
www.dabpumps.com

Receiver

From

Society
Reference
Address
Phone
Fax
E-mail

FEKA VS 750 M - A



Dimensions in mm

Pump connection

1
2
3
4
5
6
7
8
9
10
11
12

A 203
B 170
D 172
DNM 2" F
H 492
H1 98

Suction

Discharge
2" F

--

MAIN_PROJECT_TITLE

BUSINESS_PROCESS_ID

OWNER

ISSUE_DATE

2020-04-23