

**Receiver**

**From**

Society  
Reference  
Address  
Phone  
Fax  
E-mail

**Item n° :**

103040120

**Model :**

FEKA VS 1200 M - A

**Pump data**

Free passage : 50 mm

Pressure rating :

Min. fluid temperature : 0

Max. fluid temperature : 50 °C

Max. Ambient temperature : 40 °C

**Requested data**

Flow :

Head :

Fluid : Water

Fluid Temperature : 20 °C

Density : 998,3 kg/m³

Kinematic viscosity : 1,005 mm²/s

Vapor pressure : 2,34 kPa

**Hydraulic data (duty point)**

Flow :

Head :

**Materials**

Pump body Stainless Steel (AISI 304)

Impeller Stainless Steel (AISI 304)

Motor shaft AISI 316

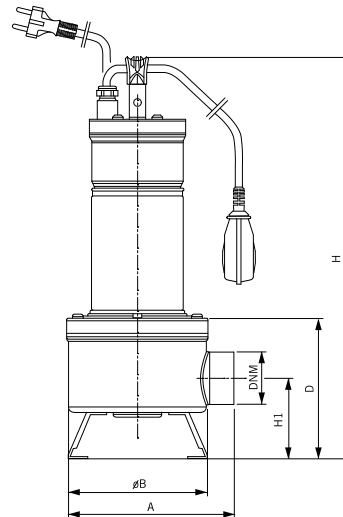
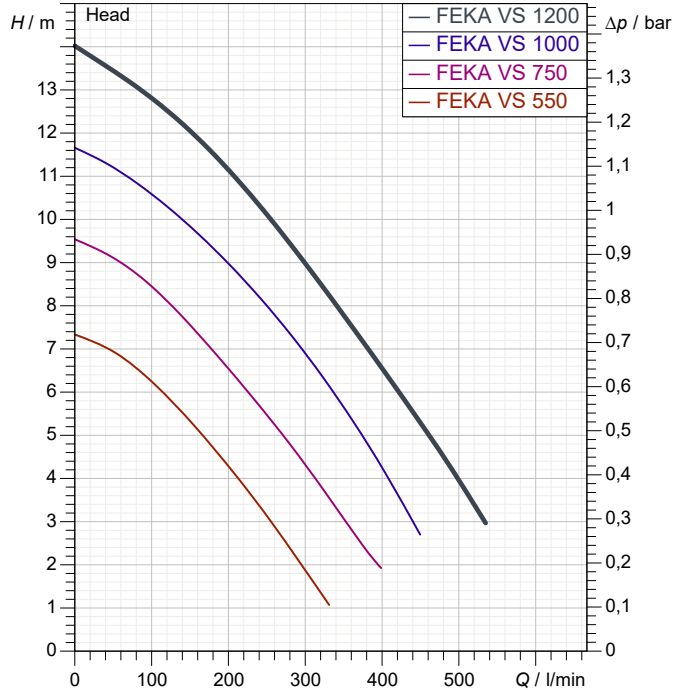
Seal disk Stainless Steel (AISI 304)

Motor casing Stainless Steel (AISI 304)

Protection cover Stainless Steel (AISI 304)

Mechanical seal pump side Silicon carbide/Silicon carbide

**Curve tolerance according to ISO 9906**



**Motor data**

**Weight :** 20,8 kg

Motor brand : DAB

Nominal power P2 : 1,2 kW

Rated speed : 2.800 1/min

Rated voltage : 1~ 220-240 V

50 Hz

Nominal current : 8,63 A

Degree of protection : IP 68

**Dimensions in mm**

A	203				
B	170				
D	172				
DNM	2" F				
H	537				
H1	98				

**Pump connection**

Suction side : /

Discharge side : 2" F / --

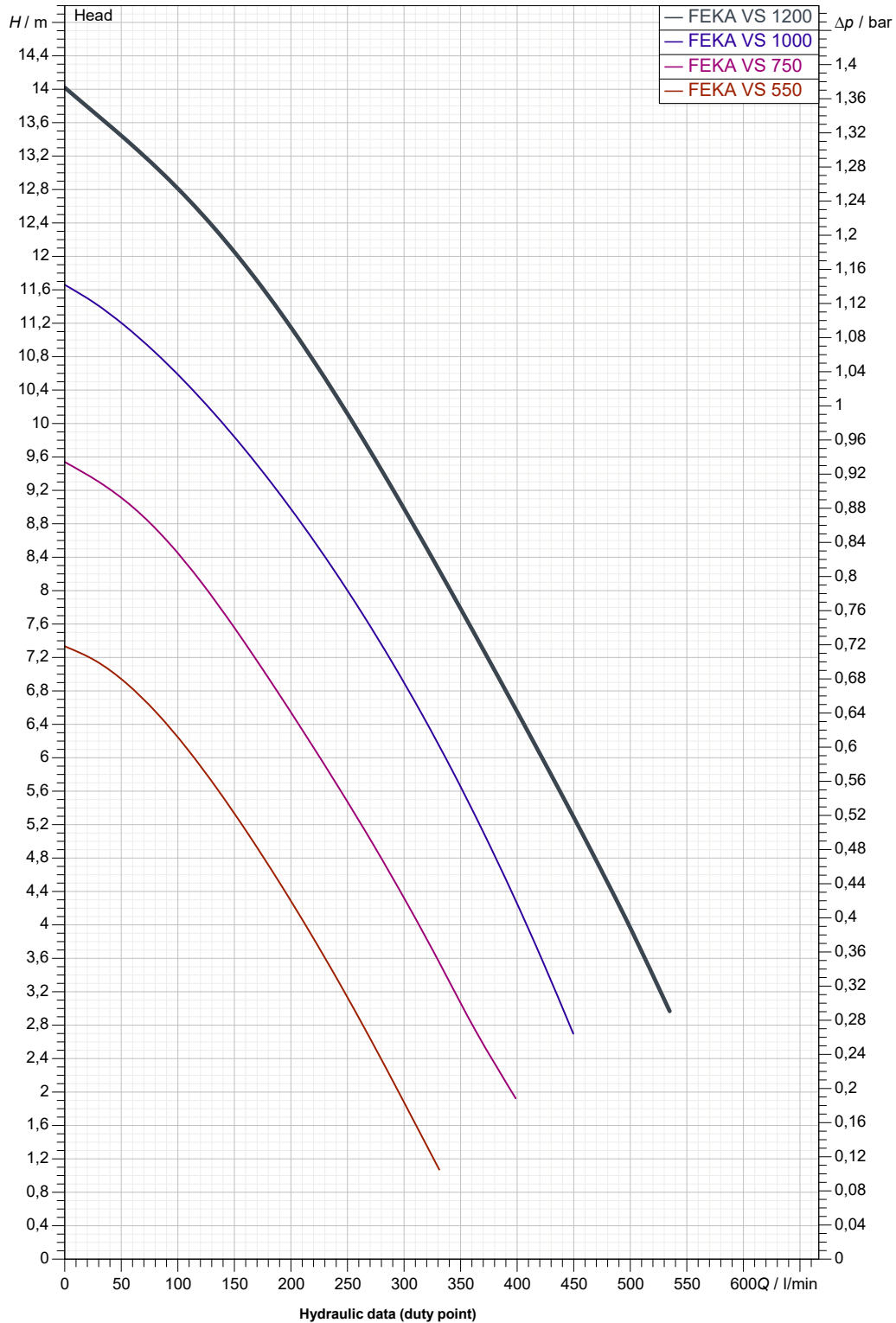
Receiver

From

Society  
Reference  
Address  
Phone  
Fax  
E-mail

## FEKA VS 1200 M - A

Curve tolerance according to ISO 9906



Suction side :

Discharge side :  
2" F  
--

Flow :

Head :

Rated speed :  
2.800 1/min

MAIN\_PROJECT\_TITLE

BUSINESS\_PROCESS\_ID

OWNER\_

ISSUE\_DATE  
2020-04-23



# DIMENSIONAL DRAWING

2020-04-23

Page 3 / 3

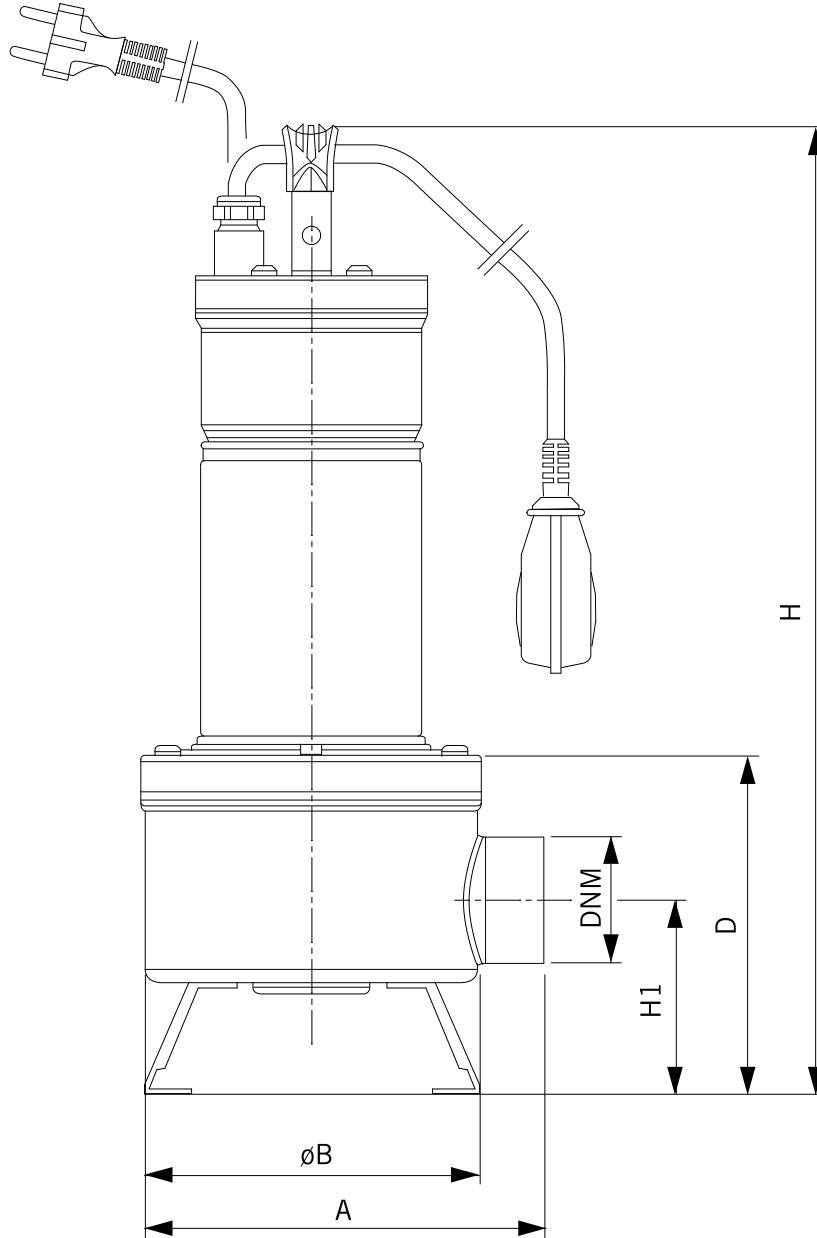
DAB PUMPS S.p.A.  
Via Marco Polo, 14 - 35035 Mestrino (PD), Italy  
Tel. +39 049 5125000 - Fax +39 049 5125950  
www.dabpumps.com

Receiver

From

Society  
Reference  
Address  
Phone  
Fax  
E-mail

## FEKA VS 1200 M - A



### Dimensions in mm

### Pump connection

1	A	203					
2	B	170					Suction
3	D	172					
4	DNM	2" F					
5	H	537					Discharge
6	H1	98					2" F
7							--
8							
9							
10							
11							
12							

MAIN\_PROJECT\_TITLE

BUSINESS\_PROCESS\_ID

OWNER

ISSUE\_DATE

2020-04-23