

Receiver

From

Society
Reference
Address
Phone
Fax
E-mail

Item n° :

60122691

Model :

FEKA BVP 750 M-A

Pump data

Free passage : 38 mm

Pressure rating :

Min. fluid temperature : 0 °C

Max. fluid temperature : 35 °C

Max. Ambient temperature :

Requested data

Flow :

Head :

Fluid : Water

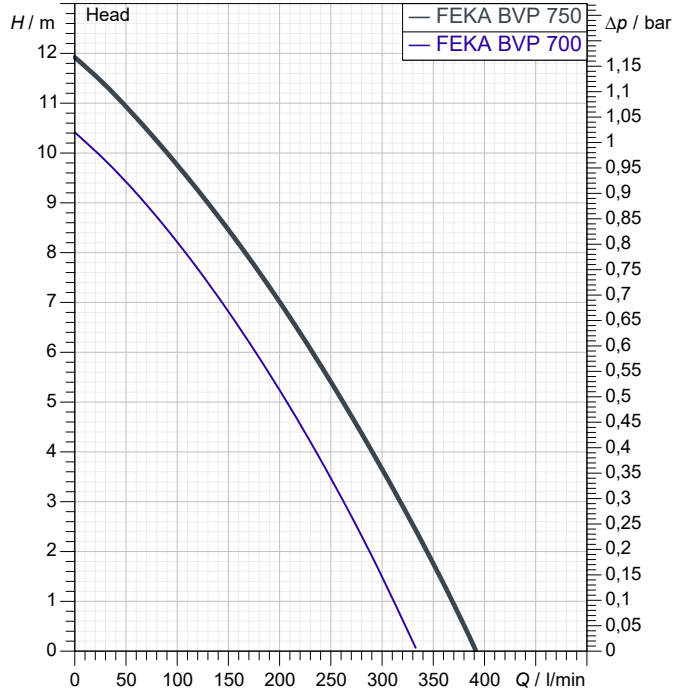
Fluid Temperature : 20 °C

Density : 998,3 kg/m³

Kinematic viscosity : 1,005 mm²/s

Vapor pressure : 2,34 kPa

Curve tolerance according to ISO 9906



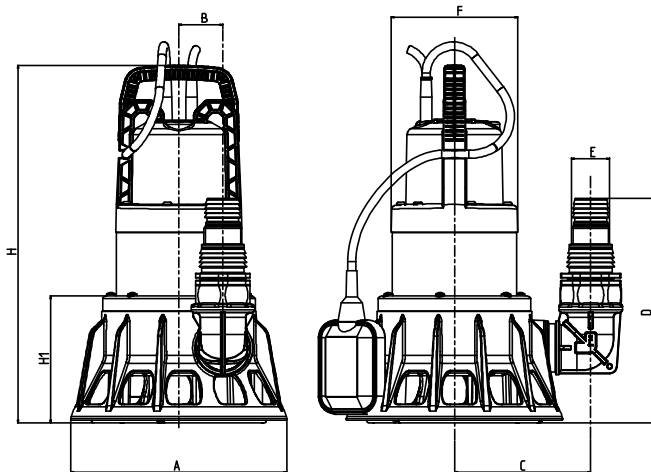
Hydraulic data (duty point)

Flow :

Head :

Materials

Pump body	Technopolymer
Impeller	Technopolymer
Motor shaft	AISI 416 X12 CrS 13 UNI EN 10088-1
Motor top body	Stainless Steel AISI 304
V-RING	NBR
OR ring	NBR 70
Base plate	Technopolymer



Motor data

Weight : 8 kg

Motor brand :	DAB
Nominal power P2 :	0,75 kW
Rated speed :	2.800 1/min
Rated voltage :	1~ 220-240 V
Nominal current :	4,6 A
Degree of protection :	IP X8

Dimensions in mm

A	240				
B	49				
C	150				
D	250				
E	40				
F	140				
H	400				
H1	142				

Pump connection

Suction side : /
Discharge side : 1" 1/2 G / --



PERFORMANCE CURVES

DAB PUMPS S.p.A.
Via Marco Polo, 14 - 35035 Mestrino (PD), Italy
Tel. +39 049 5125000 - Fax +39 049 5125950
www.dabpumps.com

2020-04-23

Page 2 / 3

Receiver

From

Society
Reference
Address
Phone
Fax
E-mail

FEKA BVP 750 M-A

Curve tolerance according to ISO 9906



Suction side :

Discharge side :
1" 1/2 G
--

Flow :

Head :

Rated speed :
2.800 1/min

MAIN_PROJECT_TITLE

BUSINESS_PROCESS_ID

OWNER_

ISSUE_DATE

2020-04-23



DIMENSIONAL DRAWING

2020-04-23

Page 3 / 3

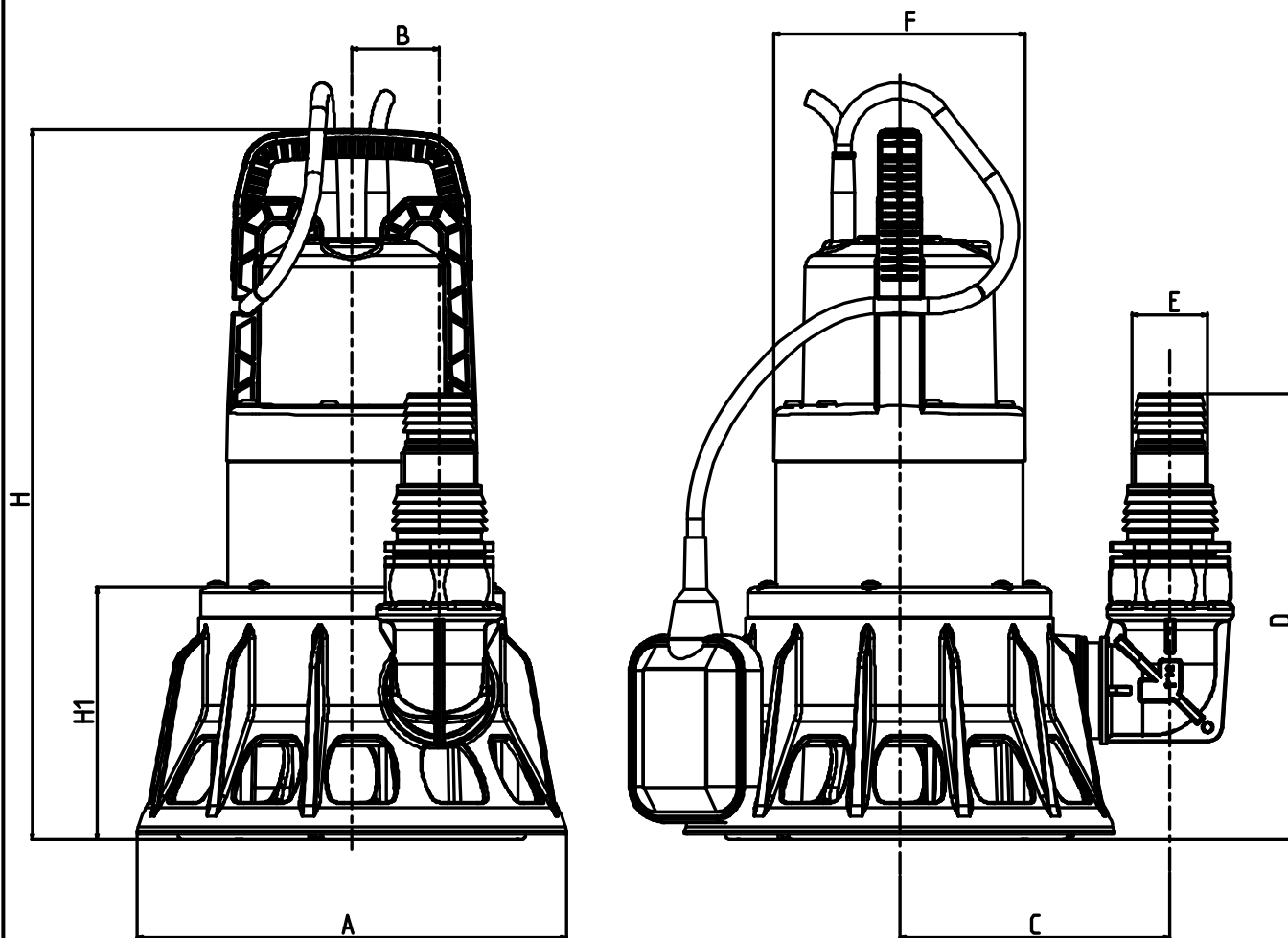
DAB PUMPS S.p.A.
Via Marco Polo, 14 - 35035 Mestrino (PD), Italy
Tel. +39 049 5125000 - Fax +39 049 5125950
www.dabpumps.com

Receiver

From

Society
Reference
Address
Phone
Fax
E-mail

FEKA BVP 750 M-A



Dimensions in mm			Pump connection	
1	A	240		
2	B	49		Suction
3	C	150		
4	D	250		
5	E	40		Discharge
6	F	140		1" 1/2 G
7	H	400		--
8	H1	142		
9				
10				
11				
12				

MAIN_PROJECT_TITLE	BUSINESS_PROCESS_ID	OWNER	ISSUE_DATE 2020-04-23
--------------------	---------------------	-------	--------------------------